

# United States Patent [19]

Archer

[11] Patent Number: **Des. 322,024**

[45] Date of Patent: **\*\* Dec. 3, 1991**

[54] **CLIP FOR A CASSETTE CASE OR THE LIKE**

[76] Inventor: **William Archer**, 3303 Mt. Bonnell Dr., Austin, Tex. 78731

[\*\*] Term: **14 Years**

[21] Appl. No.: **311,892**

[22] Filed: **Feb. 17, 1989**

[52] U.S. Cl. .... **D8/395; D3/301; D3/35**

[58] Field of Search ..... **D3/30.1, 35; D8/394, D8/395; 24/545, 546, 68 CD, 69 CT, 71 TD; 224/273, 278; 383/11**

[56] **References Cited**

### U.S. PATENT DOCUMENTS

D. 20,548	3/1891	Ostergren et al. ....	D2/225
D. 161,036	11/1950	Norriss .....	D9/341
D. 215,515	9/1969	Antoine .....	27/129
D. 261,326	10/1981	Bell et al. ....	D3/35

D. 265,351	7/1982	Wooters .....	D3/40
D. 279,521	7/1985	Zucker .....	D3/30.1
2,291,219	7/1942	Fontecilla .....	24/545
2,789,782	4/1957	Huth .....	248/220.2
4,418,733	12/1983	Kallman .....	383/11
4,484,701	11/1984	Frohn .....	224/273

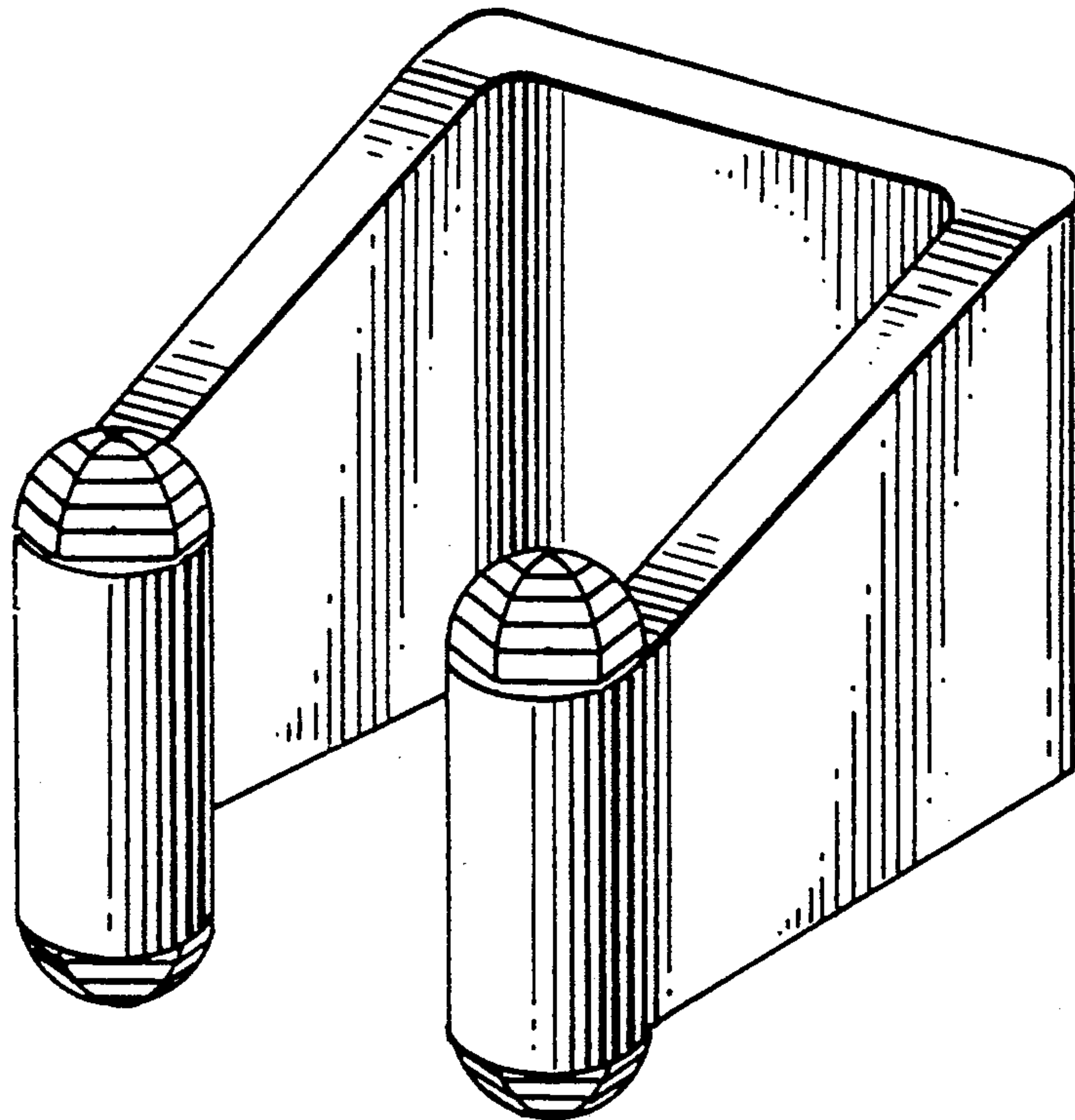
*Primary Examiner*—A. Hugo Word  
*Assistant Examiner*—Celia A. Murphy  
*Attorney, Agent, or Firm*—Walter C. Farley

### [57] CLAIM

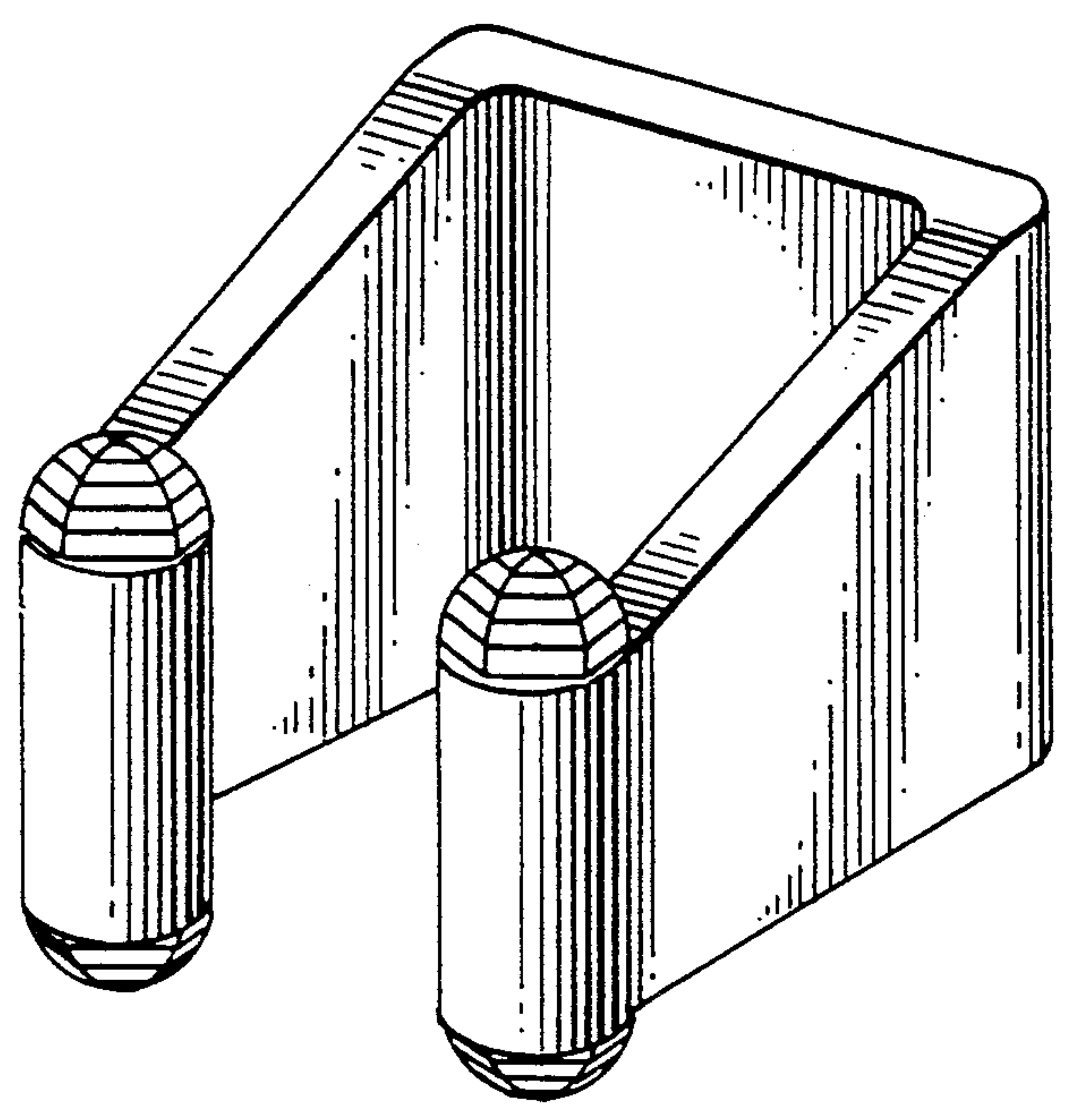
The ornamental design for a clip for a cassette case or the like, as shown and described.

### DESCRIPTION

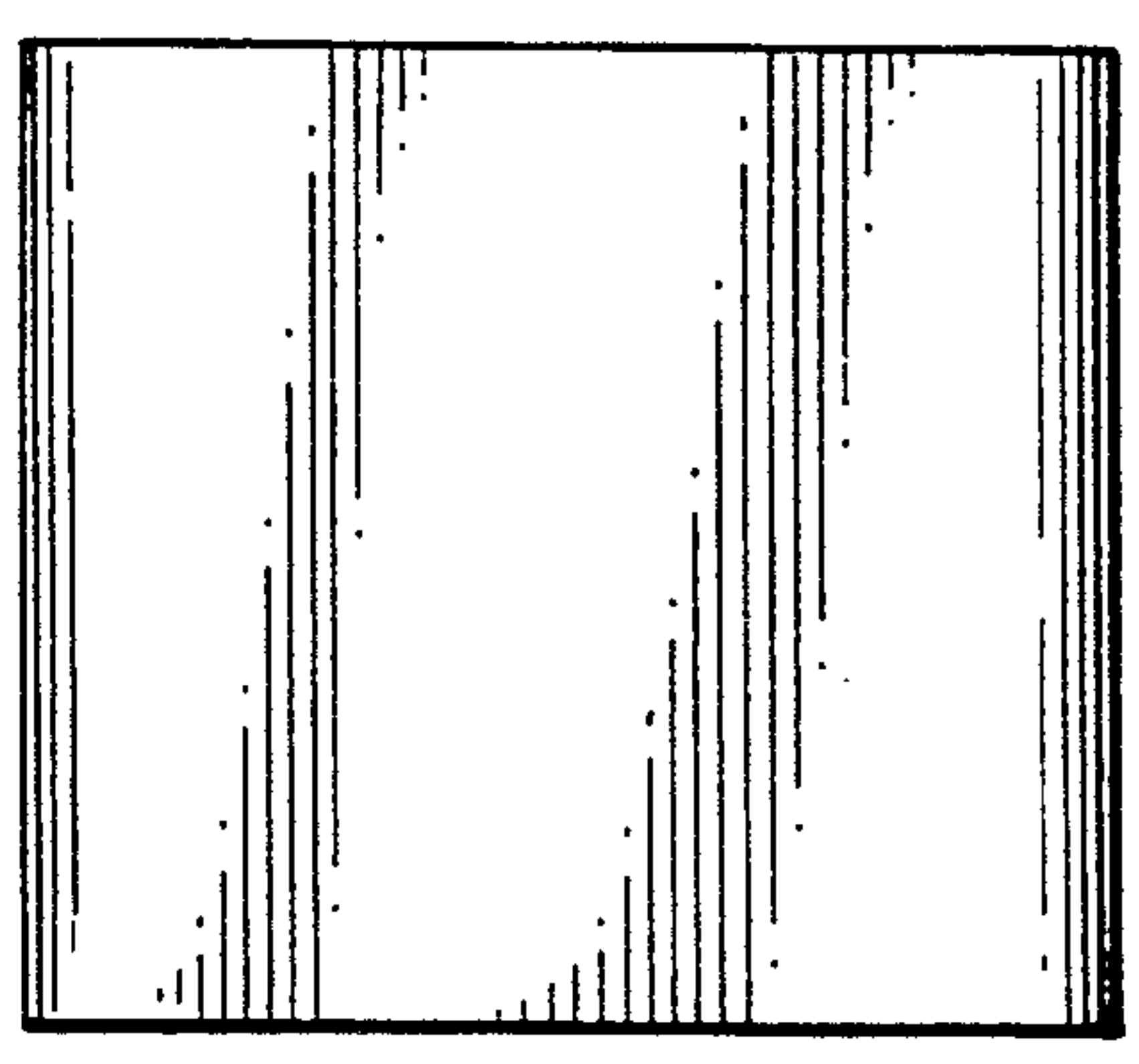
FIG. 1 is a perspective view of a clip for a cassette case or the like showing my new design;  
FIG. 2 is a rear elevational view thereof;  
FIG. 3 is a top plan view thereof, the bottom being a mirror image; and  
FIG. 4 is a left side elevational view thereof, the right side being a mirror image.



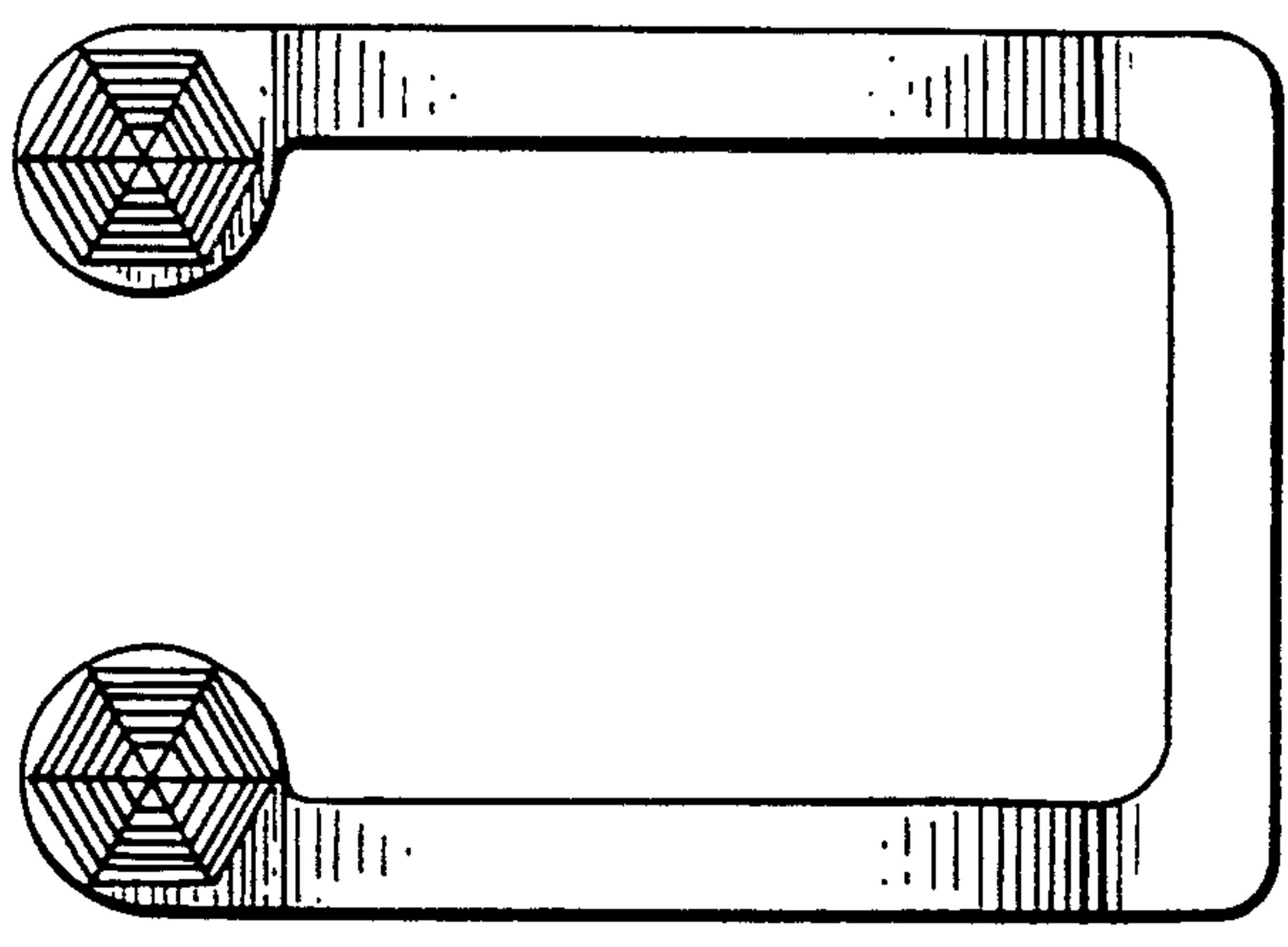
**FIG. 1.**



**FIG. 2.**



**FIG. 3.**



**FIG. 4.**

