

# United States Patent [19]

Van Allman et al.

[11] Patent Number: Des. 322,017

[45] Date of Patent: \*\* Dec. 3, 1991

[54] **THREAD PROTECTING AND GUIDING CAP**

[75] Inventors: **Don T. Van Allman**, Palatine; **Harish C. Gupta**, Downers Grove, both of Ill.

[73] Assignee: **Illinois Tool Works Inc.**, Glenview, Ill.

[\*\*] Term: **14 Years**

[21] Appl. No.: **358,042**

[22] Filed: **May 30, 1989**

[52] U.S. Cl. .... **D8/70**

[58] Field of Search ..... D8/70; 411/439, 440, 411/441, 493, 498, 596, 397, 371, 373, 394, 429

[56] **References Cited**

### U.S. PATENT DOCUMENTS

2,722,004 11/1955 Webber et al. .... 411/441  
2,724,116 11/1955 Termet ..... 411/441  
2,761,348 9/1956 Williame et al. .... 411/441  
2,920,563 1/1960 De Caro ..... 411/441

2,968,984 1/1961 De Caro ..... 411/441  
3,212,388 10/1965 Rosselet ..... 411/441

### OTHER PUBLICATIONS

Illinois Tool Works Inc.

*Primary Examiner*—Nelson C. Holtje

*Assistant Examiner*—J. H. Musgrove

*Attorney, Agent, or Firm*—Neal C. Johnson; Thomas W. Buckman; John P. O'Brien

[57] **CLAIM**

The ornamental design for a thread protecting and guiding cap, as shown and described.

### DESCRIPTION

FIG. 1 is a front top perspective view of a thread protecting and guiding cap showing our new design;

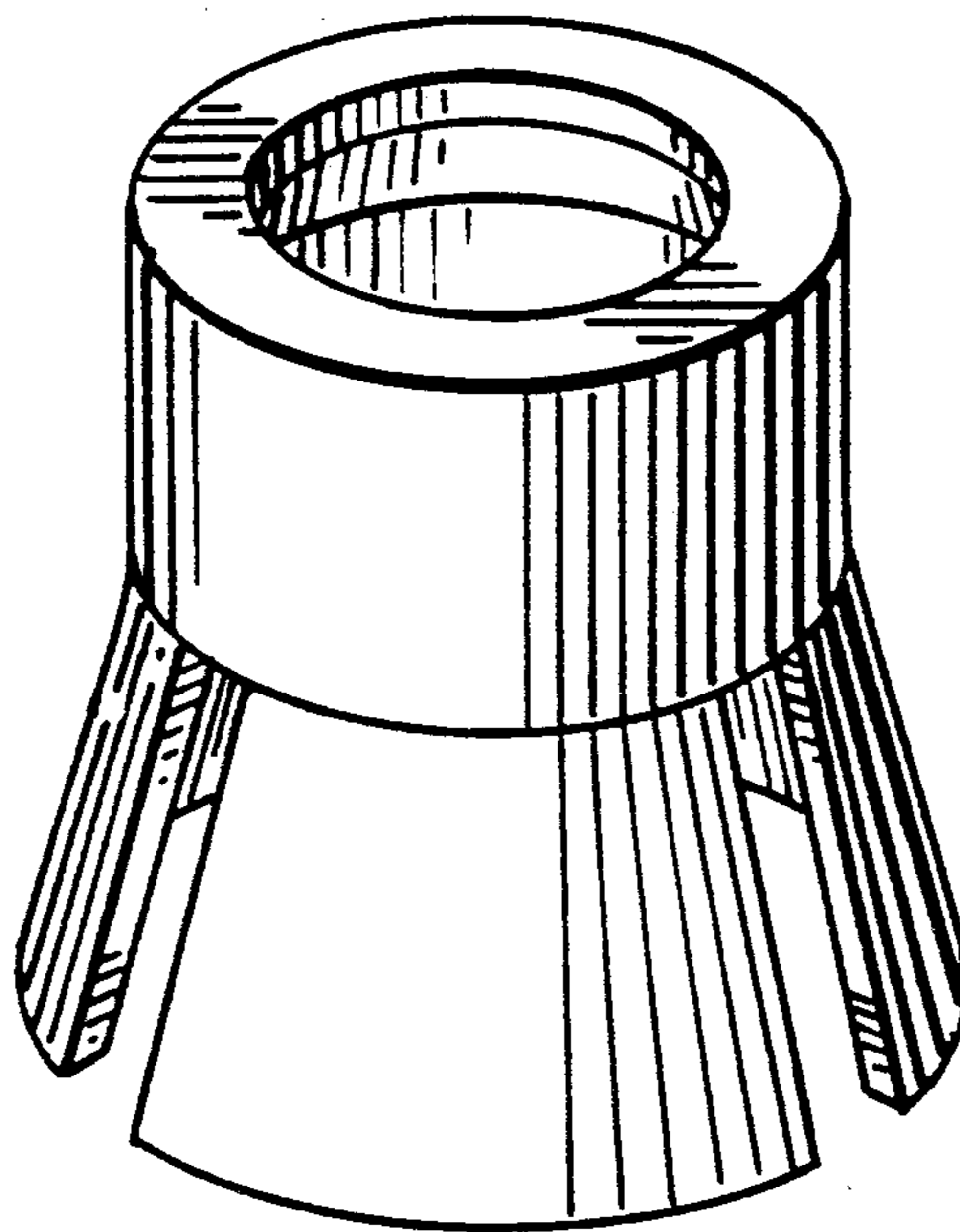
FIG. 2 is a top plan view;

FIG. 3 is a left side elevational view;

FIG. 4 is a front elevational view;

FIG. 5 is a rear elevational view; and

FIG. 6 is a bottom plan view.



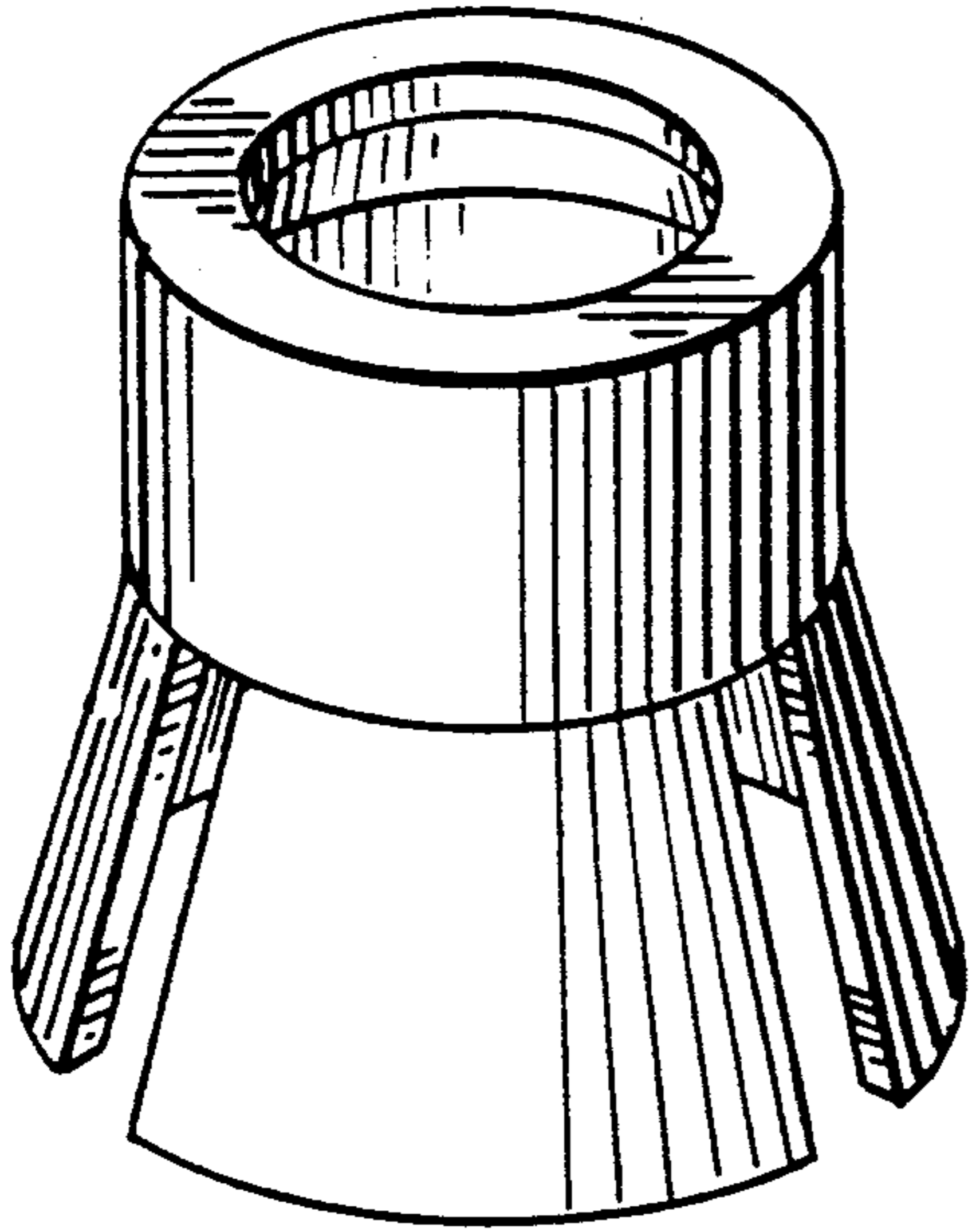


FIG. 1

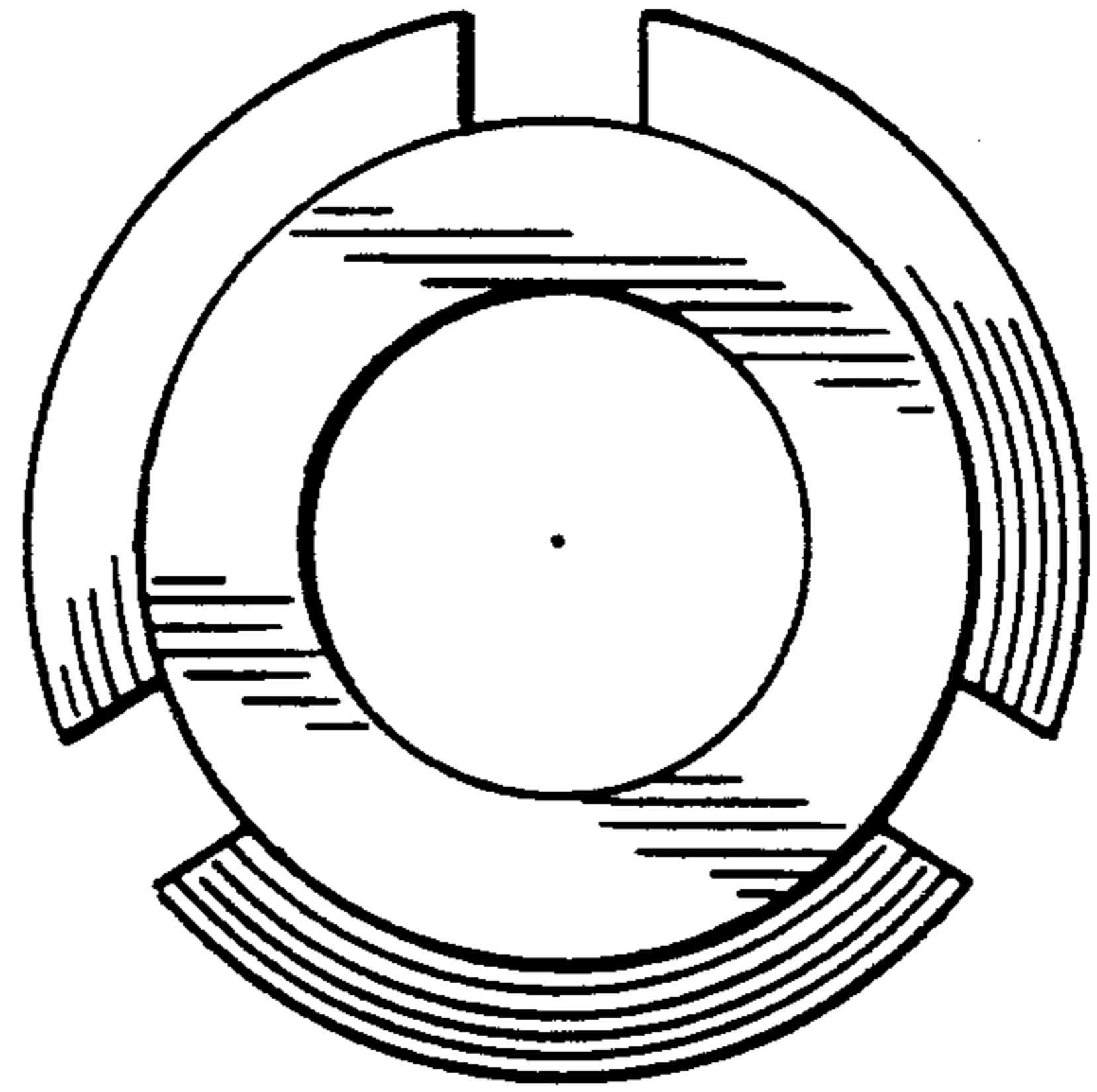


FIG. 2

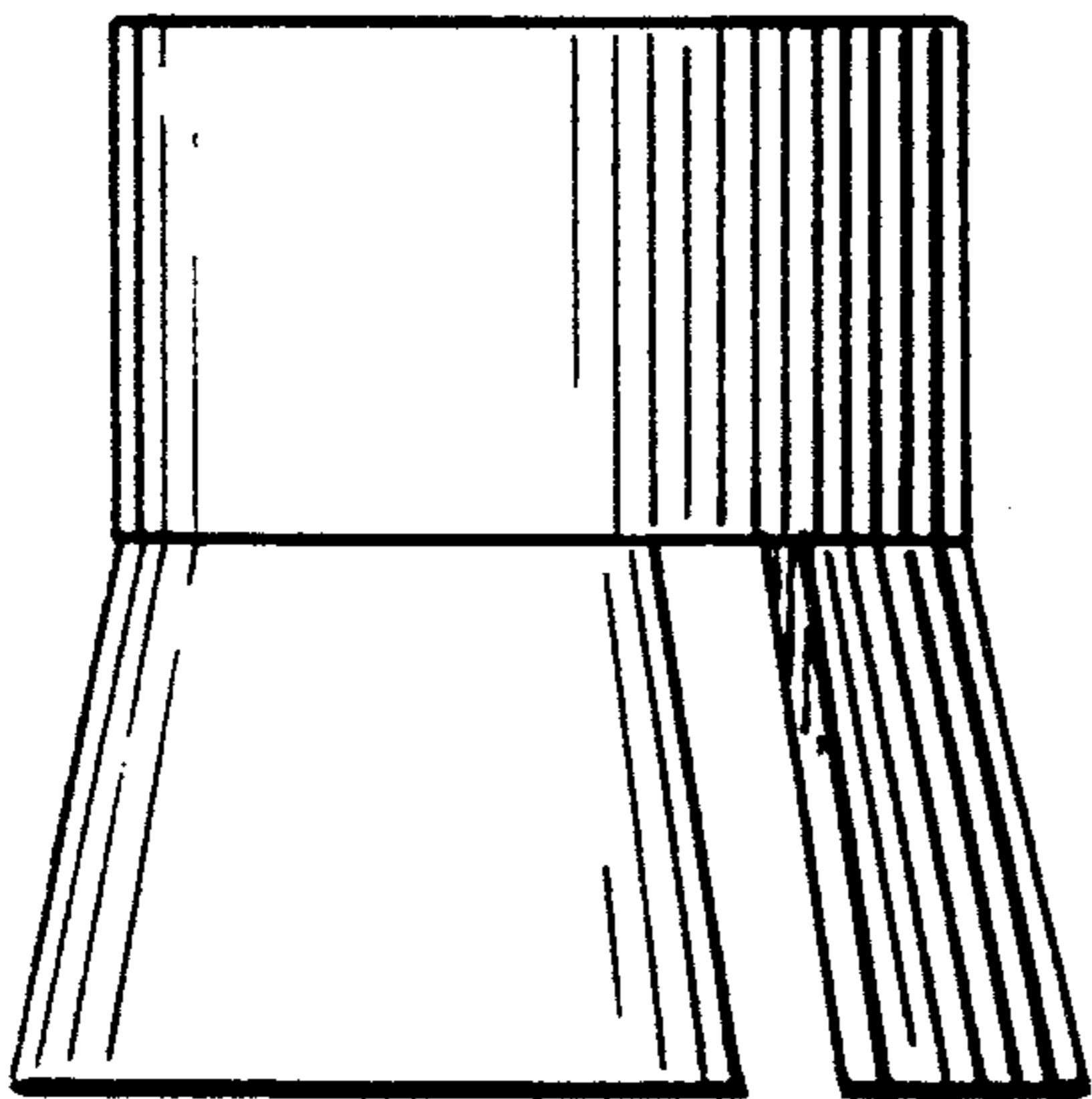


FIG. 3

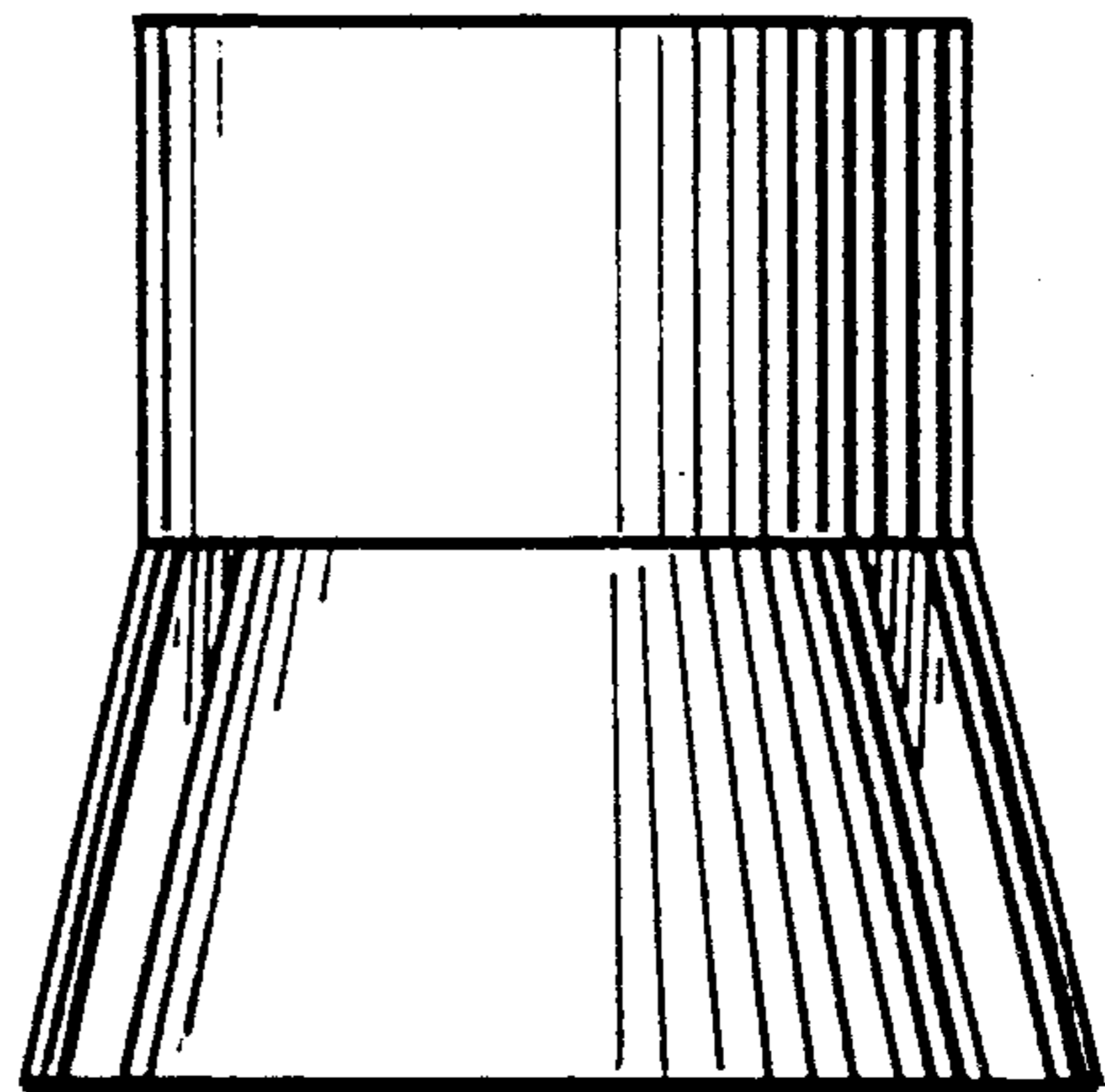


FIG. 4

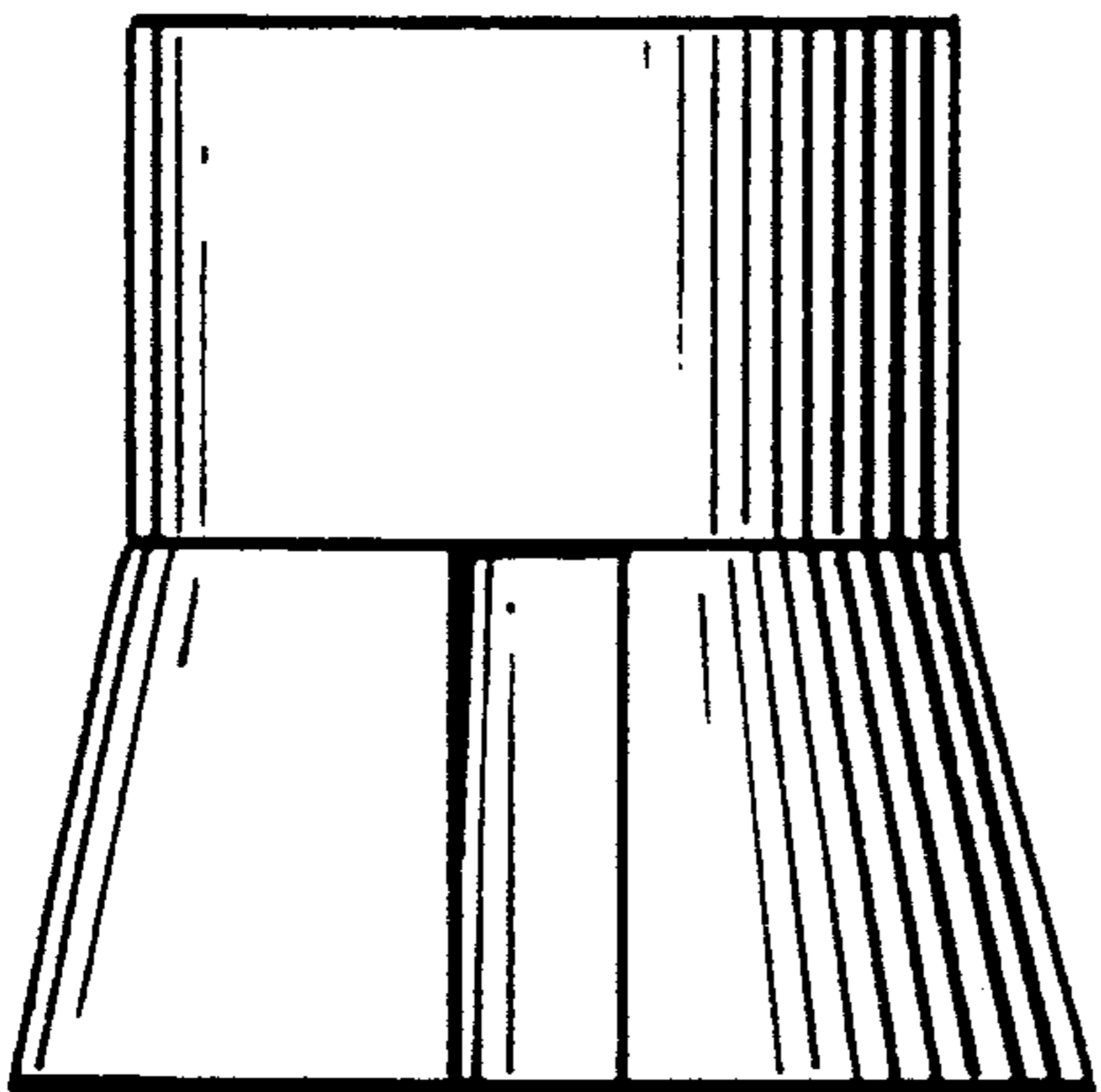


FIG. 5

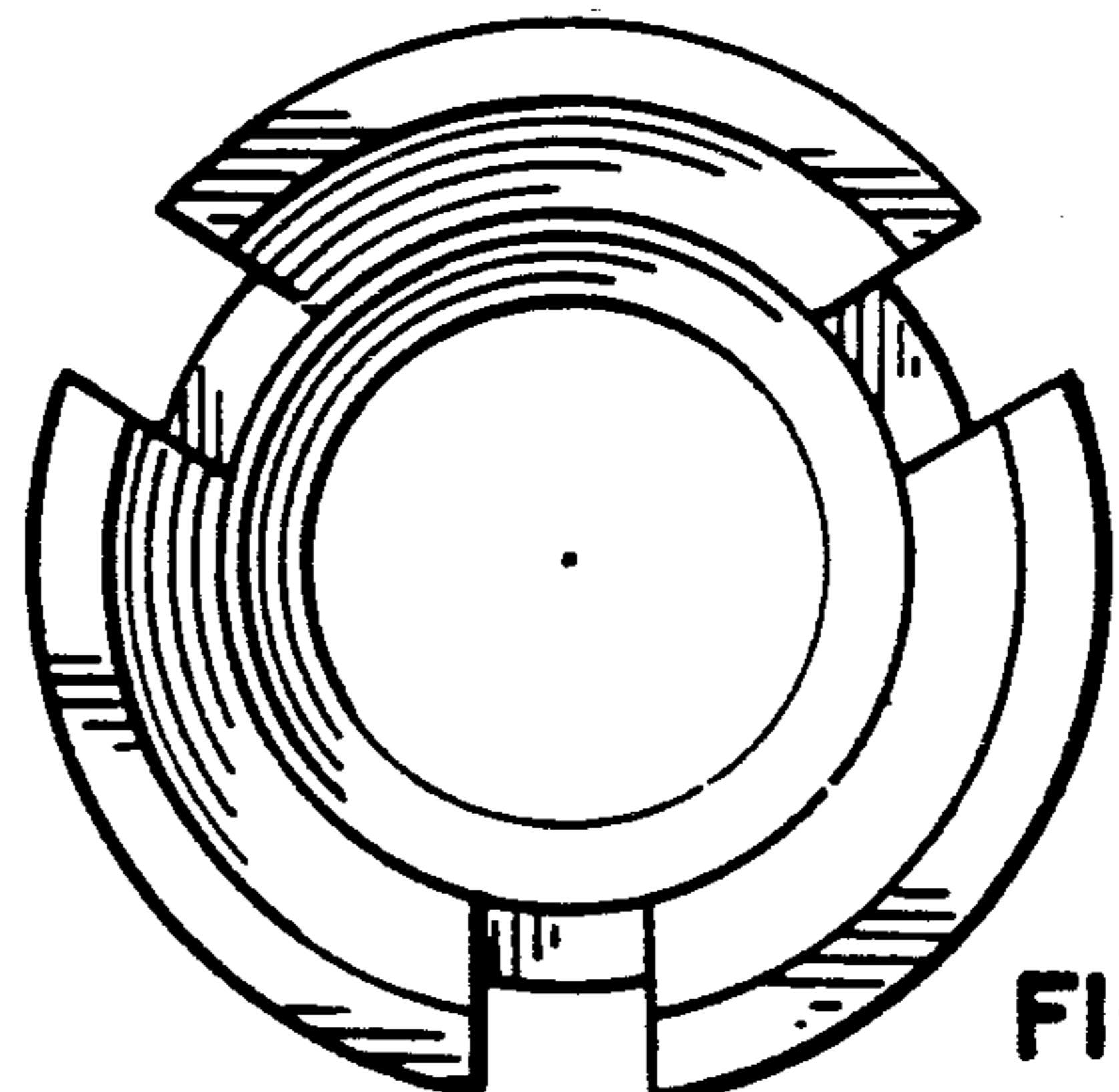


FIG. 6