

United States Patent [19]

Weihe

[11] Patent Number: **Des. 322,014**

[45] Date of Patent: **** Dec. 3, 1991**

[54] LEAF CARRIER

[76] Inventor: **James M. Weihe**, 709 Victoria Park Rd., Ft. Lauderdale, Fla. 33304

[**] Term: **14 Years**

[21] Appl. No.: **439,562**

[22] Filed: **Nov. 21, 1989**

[52] U.S. Cl. **D8/1**

[58] Field of Search **D8/1, 391; 56/400.1; 294/50.8, 149, 164, 152, 1.1; D6/581; D3/30.1**

[56] **References Cited**

U.S. PATENT DOCUMENTS

340,303	4/1886	Fransson	294/152
926,364	6/1909	Stowe	294/142
2,427,246	9/1947	Whittington	294/142
2,829,853	4/1958	Wheeler et al.	294/142
3,481,519	7/1968	Snetselaar	294/152

4,693,504	9/1987	Baker	294/152 X
4,955,068	9/1990	Tennihan	D8/391 X

Primary Examiner—Wallace R. Burke
Assistant Examiner—H. Baynham
Attorney, Agent, or Firm—Leon Gilden

[57] **CLAIM**

The ornamental design for a leaf carrier, as shown and described.

DESCRIPTION

FIG. 1 is a top plan view of the leaf carrier showing my new design, the bottom plan view being a mirror image thereof;

FIG. 2 is an enlarged fragmentary perspective view of circled item 2;

FIG. 3 is an enlarged fragmentary perspective view of circled item 3;

FIG. 4 is a perspective view thereof in an altered position.

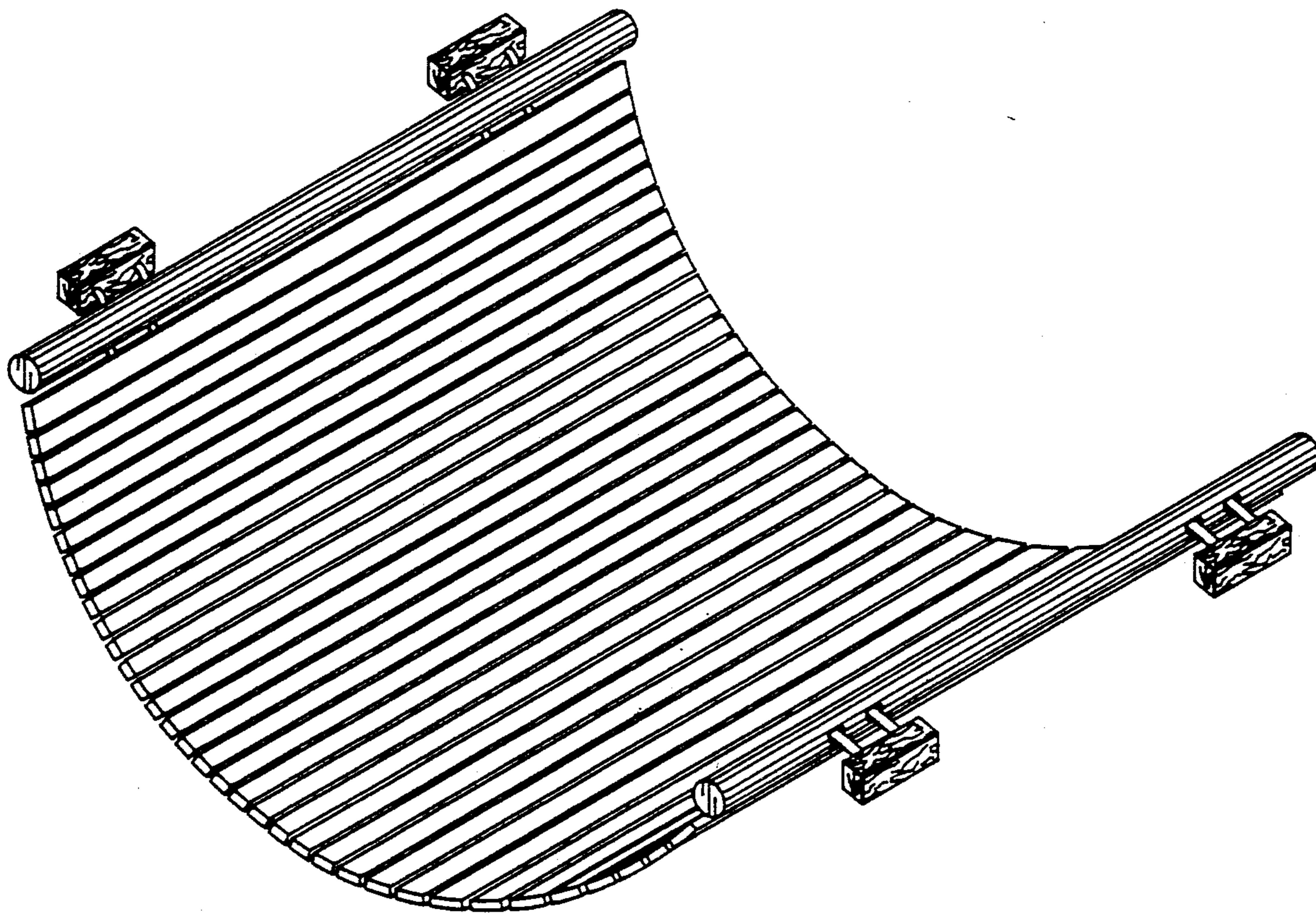


Fig. 1

