

# United States Patent [19]

Daenen et al.

[11] Patent Number: **Des. 322,013**

[45] Date of Patent: **\*\* Dec. 3, 1991**

[54] COVERED SERVING DISH OR THE LIKE

[75] Inventors: **Robert H. C. M. Daenen,**  
Erembodegem; **Pieter K. J.**  
DeCoster, Aalst, both of Belgium

[73] Assignee: **Dart Industries Inc.,** Deerfield, Ill.

[\*\*] Term: **14 Years**

[21] Appl. No.: **327,172**

[22] Filed: **Mar. 17, 1989**

[52] U.S. Cl. .... **D7/542; D7/502**

[58] Field of Search ..... **D7/500, 505, 538-540,**  
**D7/555, 542, 543, 586, 587, 502; D9/424, 430,**  
**428, 414**

[56] **References Cited**

**U.S. PATENT DOCUMENTS**

D. 248,357 7/1978 Daenen ..... D7/505

D. 276,870 12/1984 Gulotta ..... D7/545 X

D. 279,067 6/1985 Kuster ..... D7/586 X

D. 298,903 12/1988 Watson et al. .... D7/545

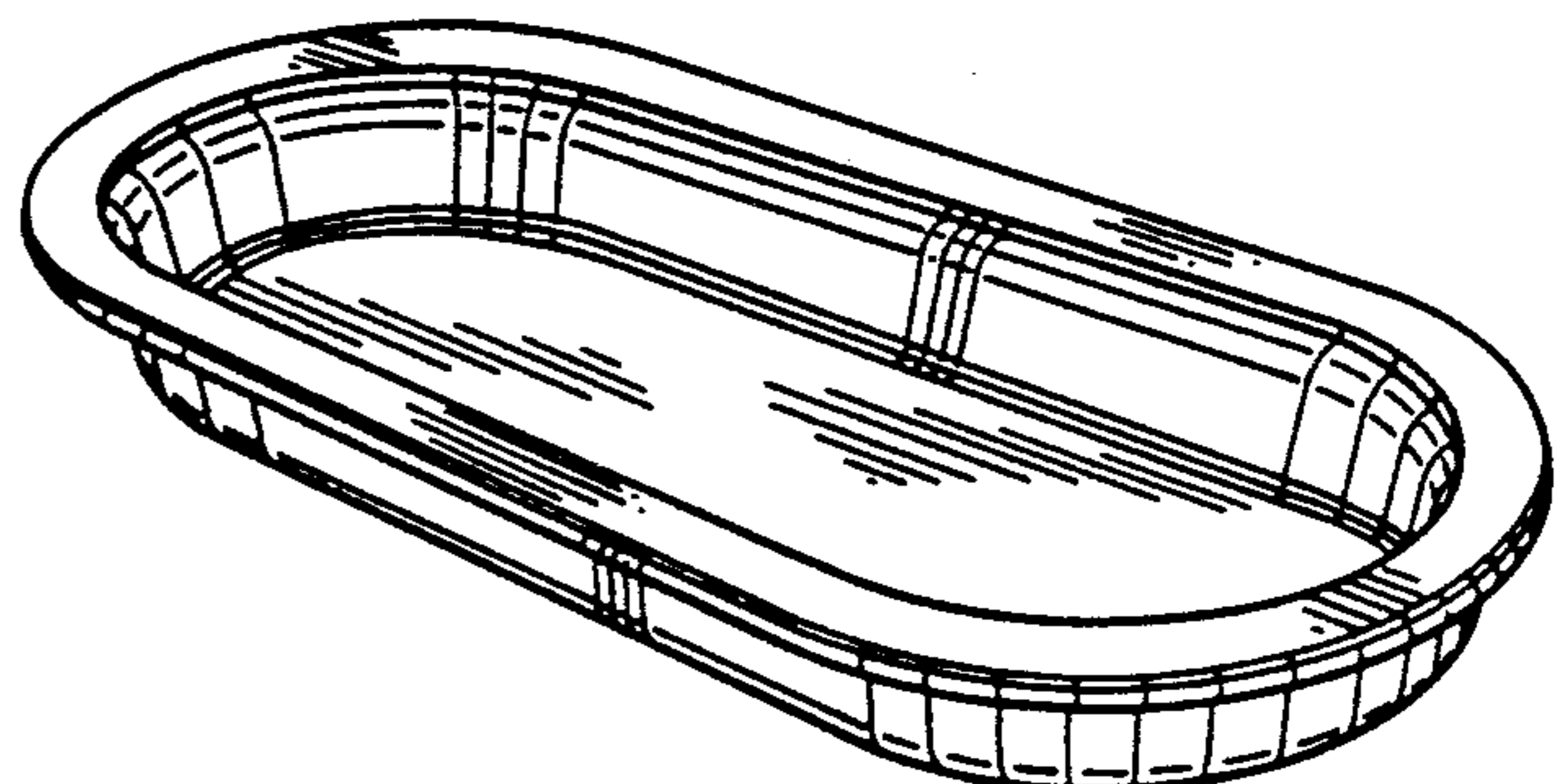
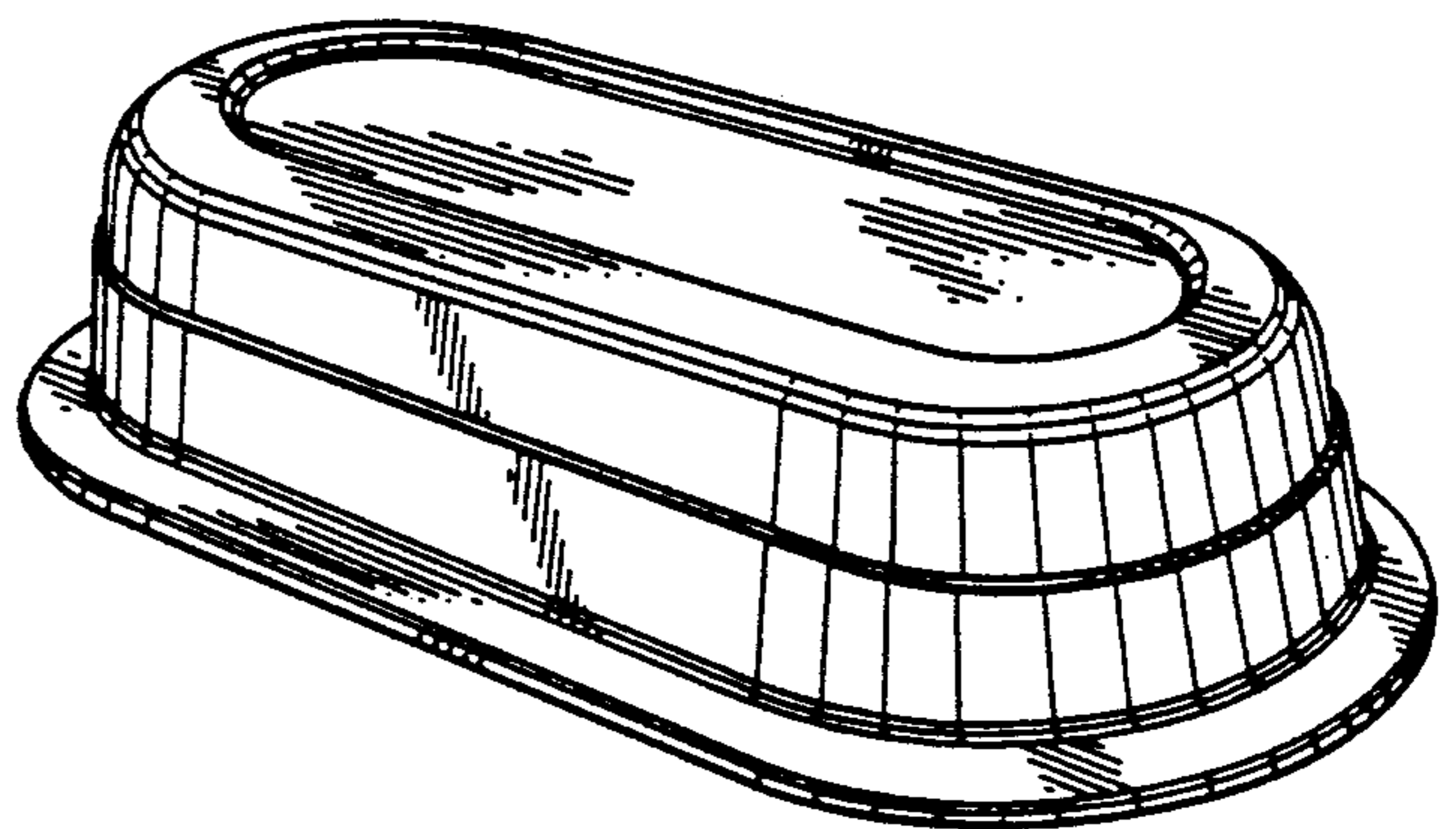
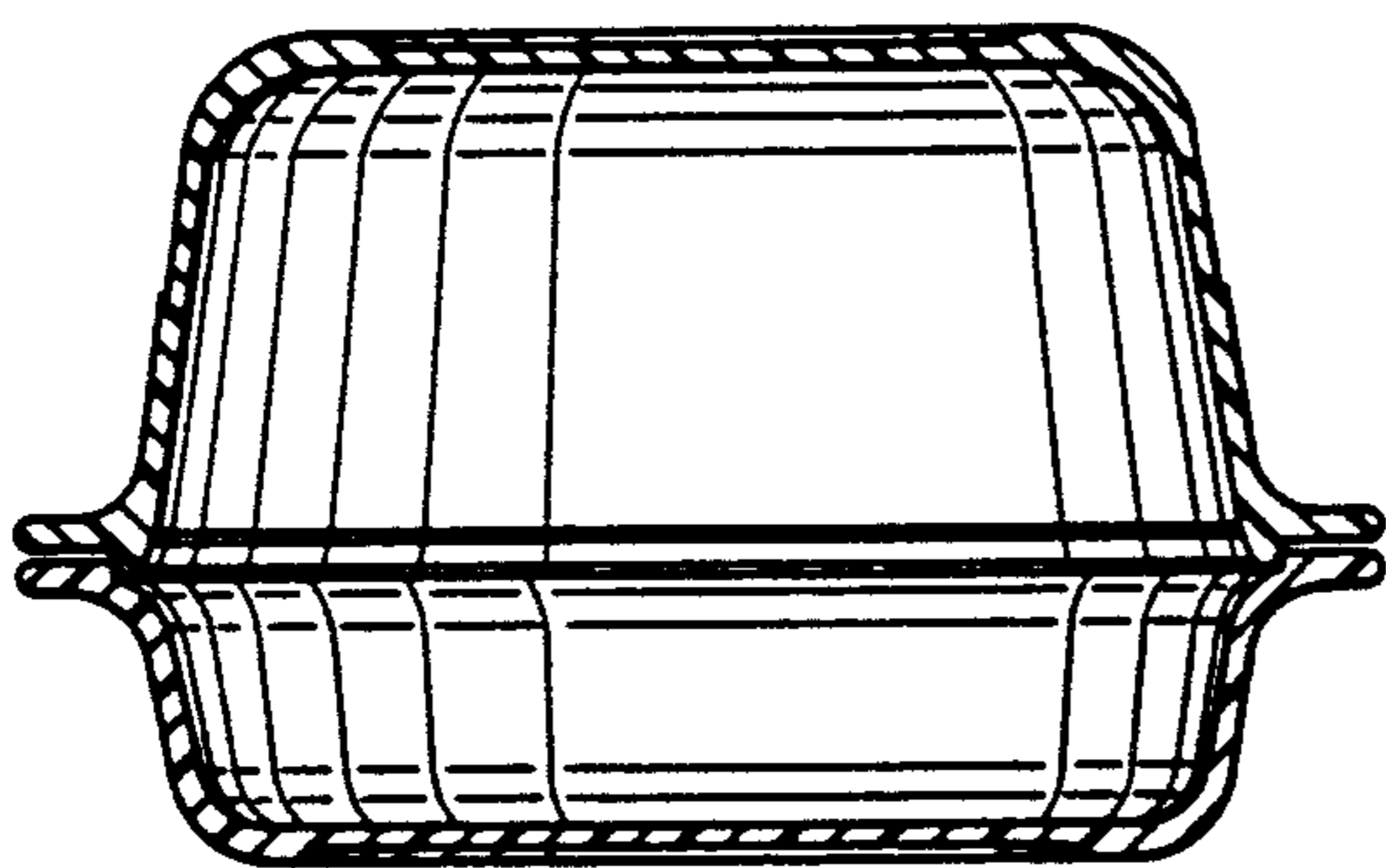
*Primary Examiner*—Winifred E. Herrmann  
*Attorney, Agent, or Firm*—John A. Doninger

[57] **CLAIM**

The ornamental design for the covered serving dish or the like, as shown and described.

**DESCRIPTION**

FIG. 1 is a top perspective view of the covered serving dish or the like showing our new design;  
FIG. 2 is a top plan view thereof;  
FIG. 3 is a bottom plan view thereof;  
FIG. 4 is a side elevational view thereof;  
FIG. 5 is an end elevational view thereof;  
FIG. 6 is a cross-sectional view taken along line 6—6 of FIG. 2; and  
FIG. 7 is an exploded top perspective view thereof.



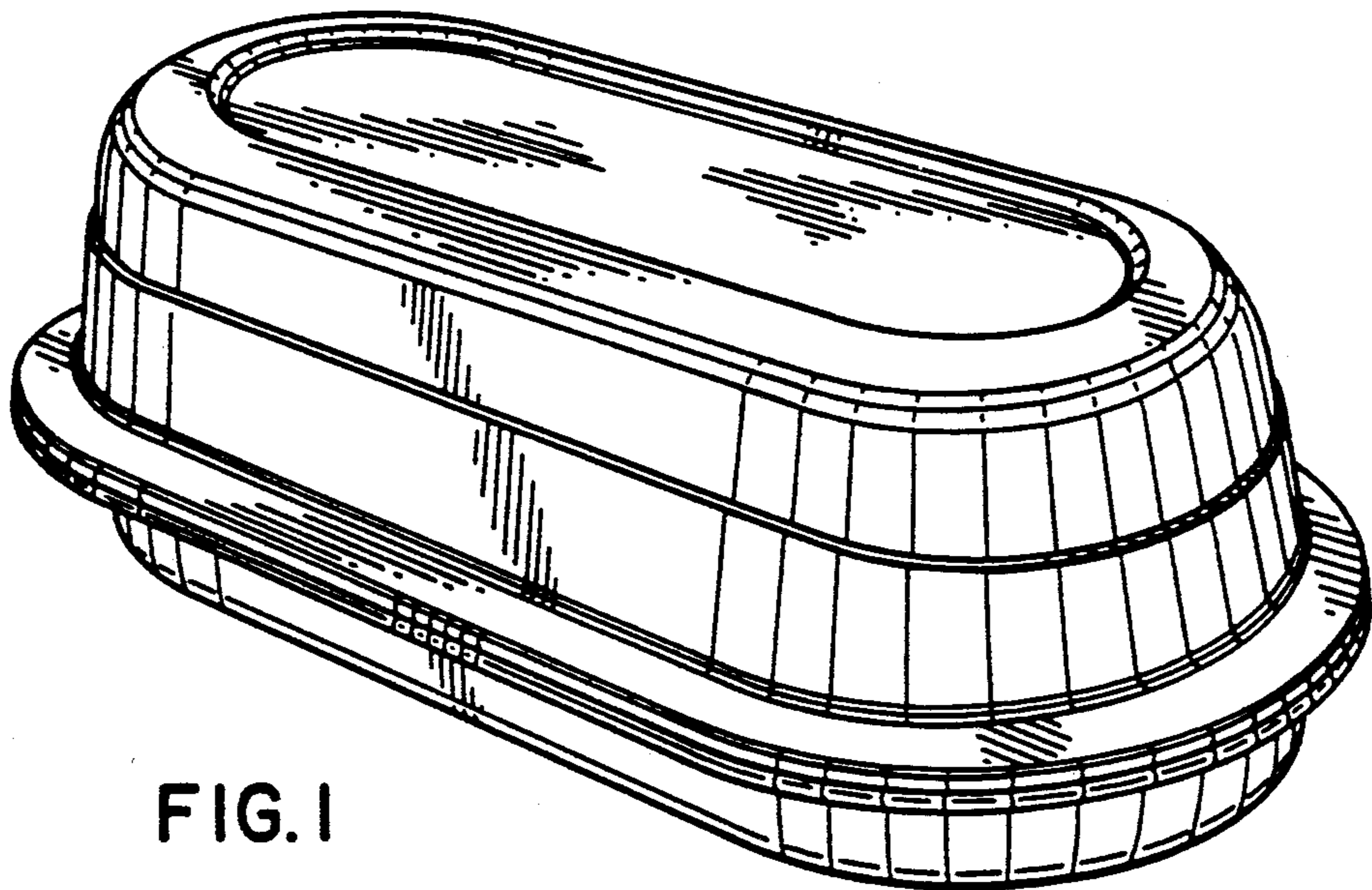


FIG. 1

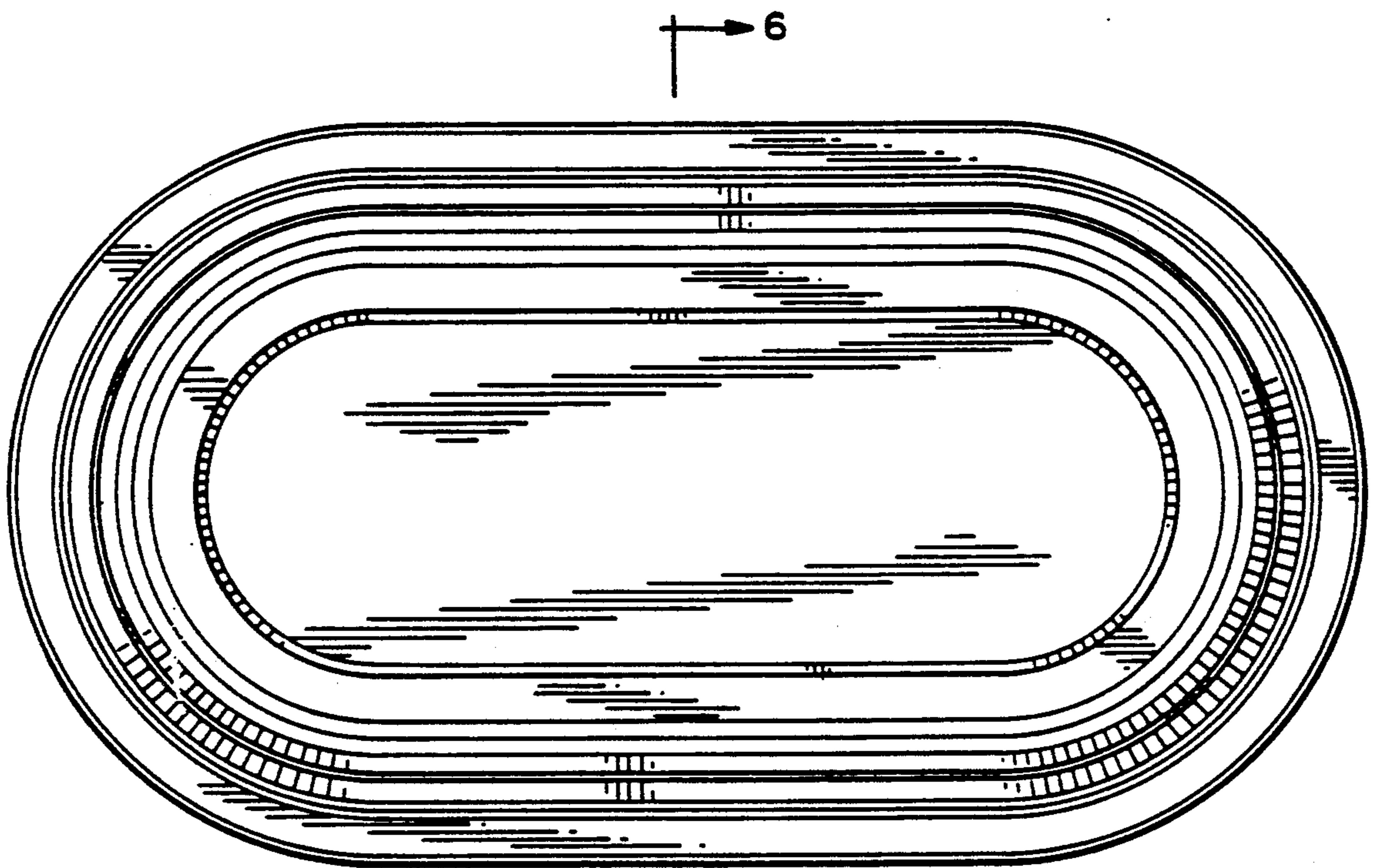


FIG. 2

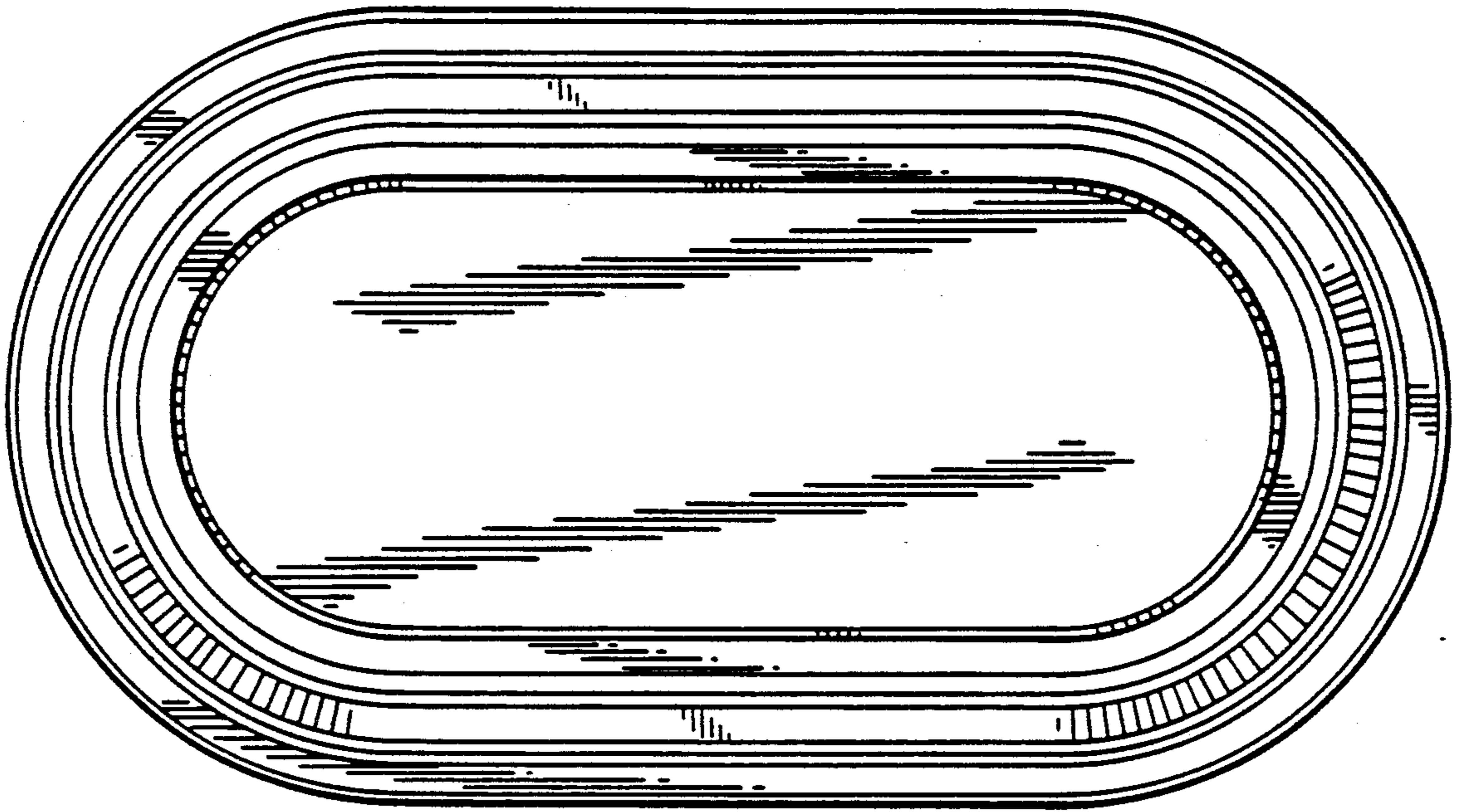


FIG. 3

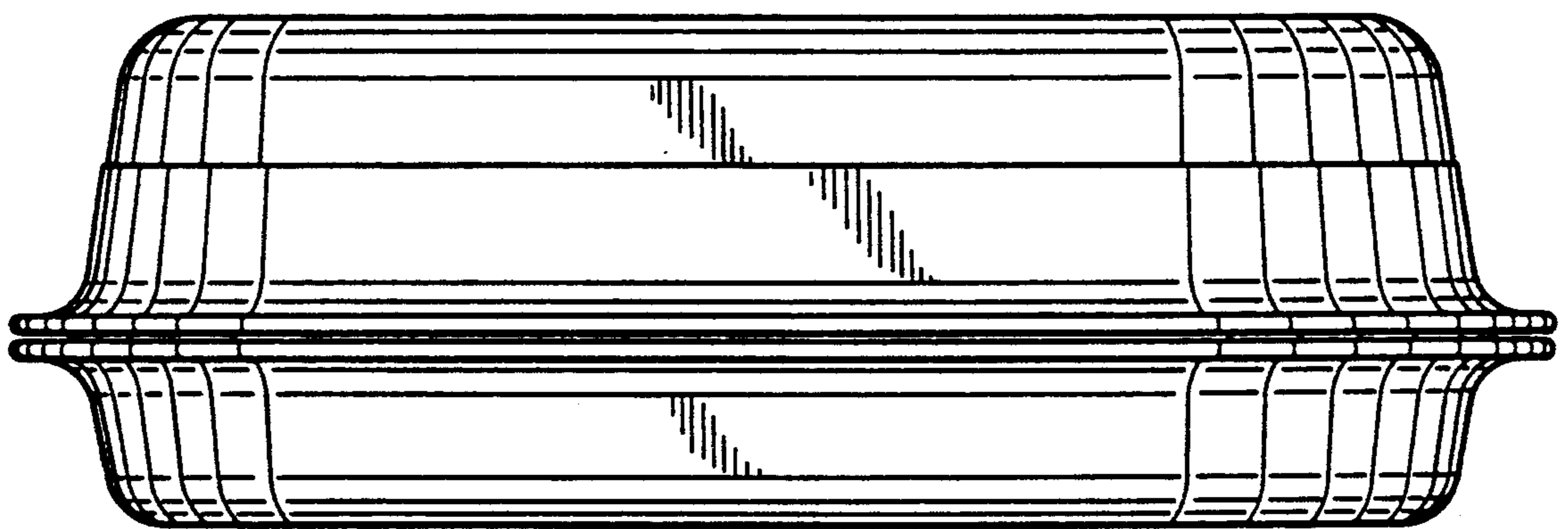


FIG. 4

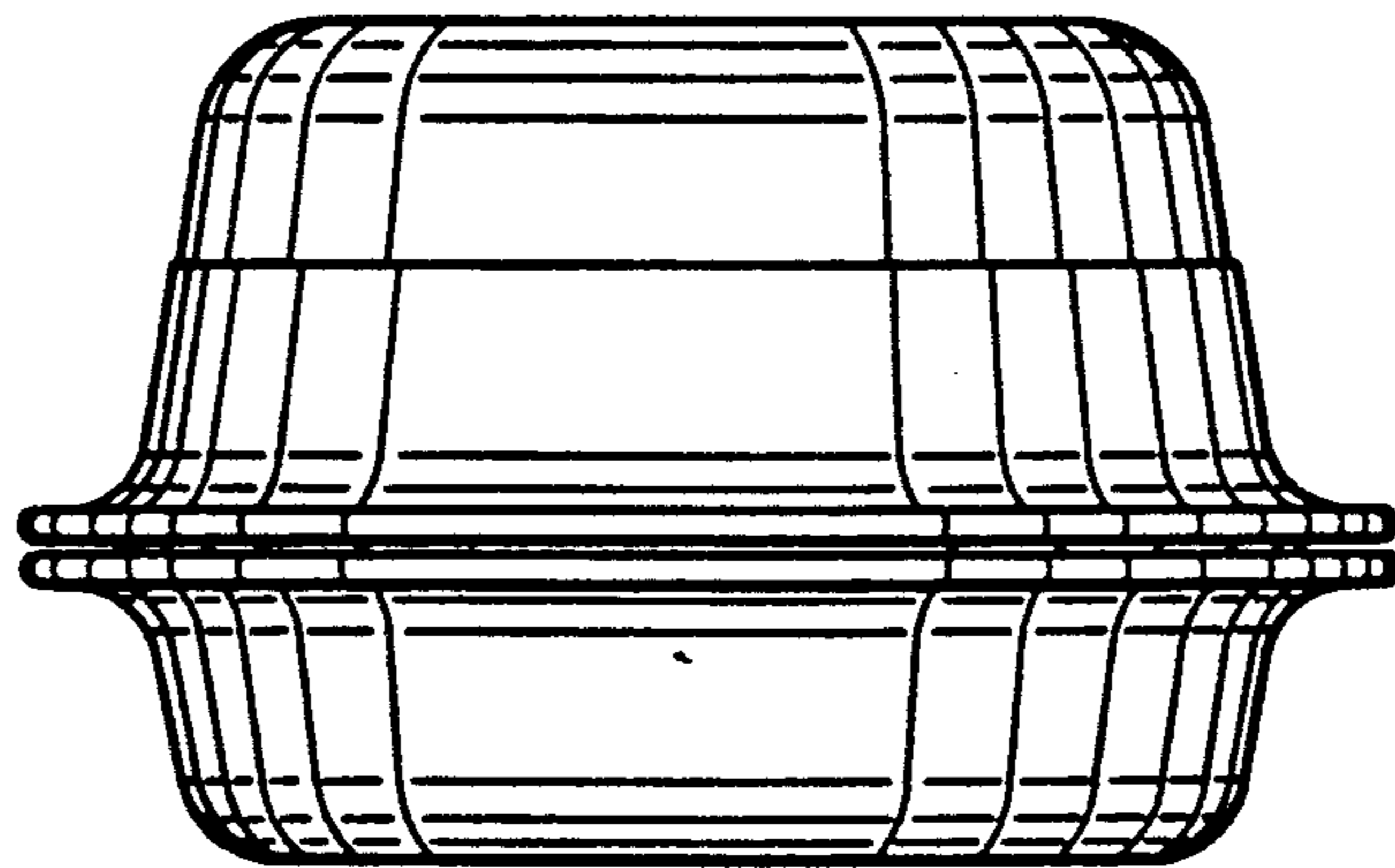


FIG. 5

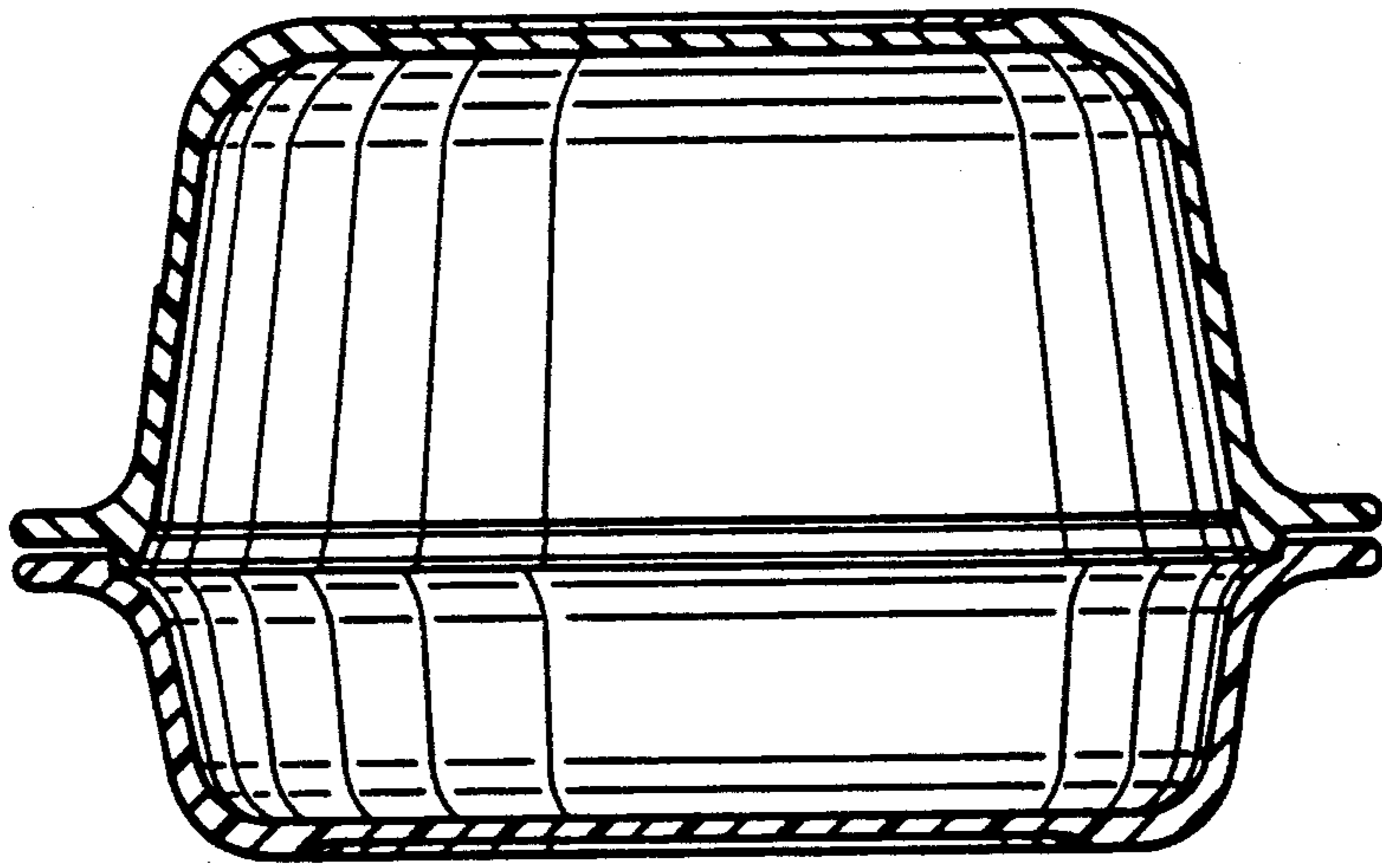


FIG. 6

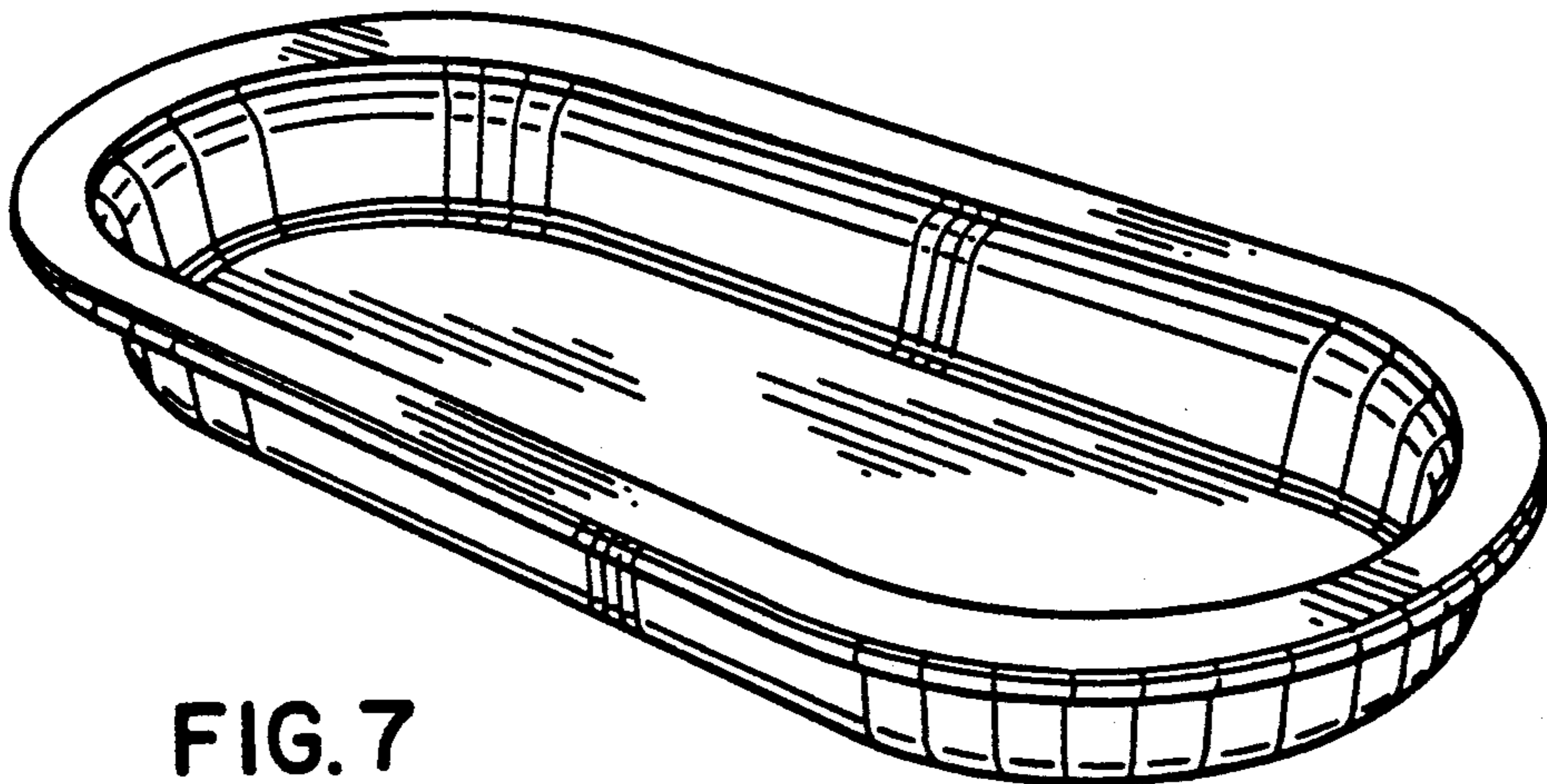
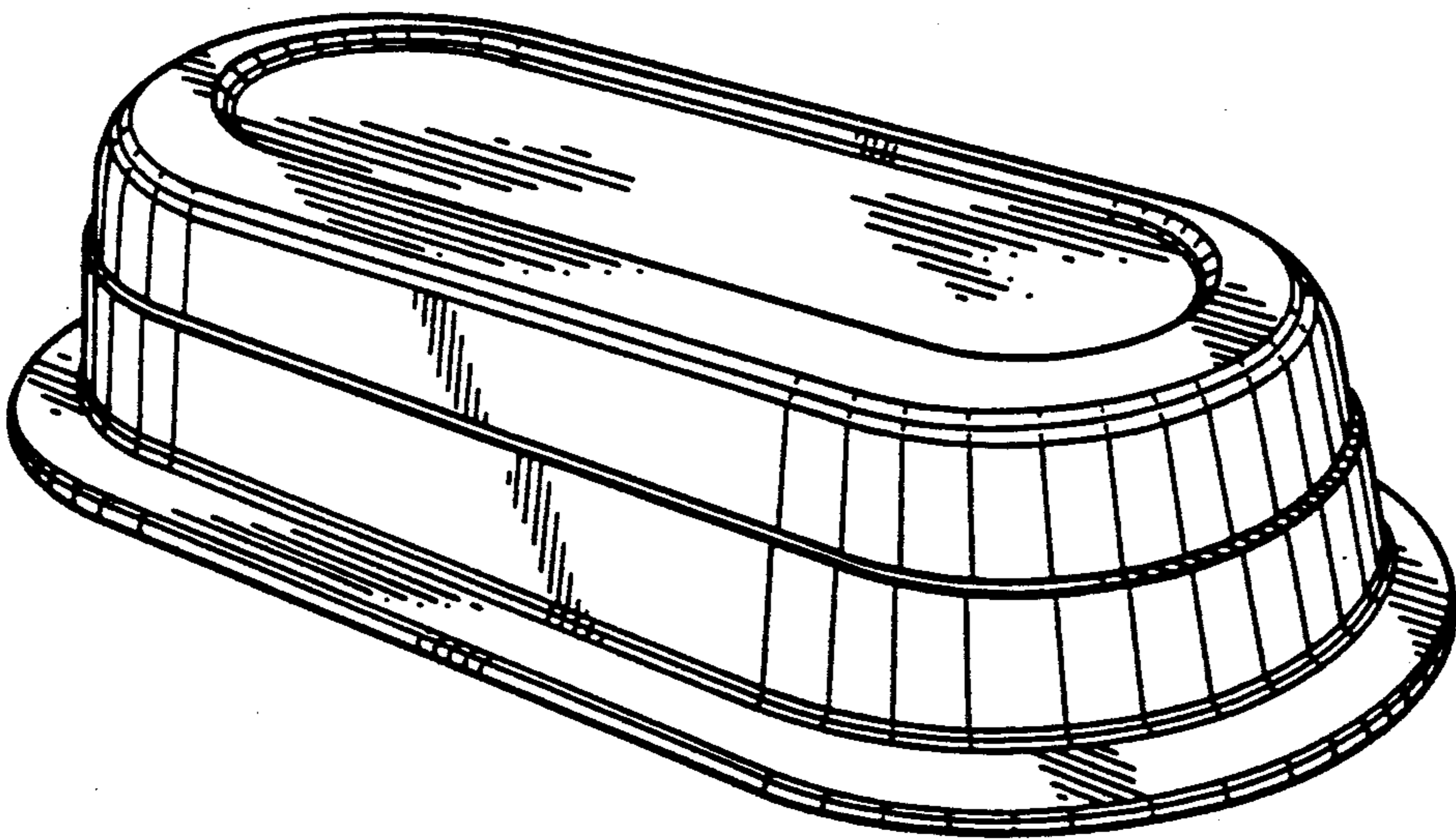


FIG. 7

