

# United States Patent [19]

Mercier

[11] Patent Number: Des. 322,012

[45] Date of Patent: \*\* Dec. 3, 1991

[54] COLLAPSIBLE CUP FOR BEVERAGE,  
FOOD, OR SIMILAR ARTICLE

[75] Inventor: Philippe Mercier, Paris, France

[73] Assignee: Gold Star Co., Ltd., Yoido, Rep. of  
Korea

[\*\*] Term: 14 Years

[21] Appl. No.: 284,476

[22] Filed: Dec. 14, 1988

[52] U.S. Cl. .... D7/512; D7/523;  
D7/557; D7/570

[58] Field of Search ..... 206/218, 423; 383/4;  
229/189; D7/512, 513, 523, 557, 570, 586;  
D9/341, 346, 424, 414, 430, 431, 433

[56] References Cited

U.S. PATENT DOCUMENTS

D. 169,070 3/1953 Katz ..... D7/607 X  
D. 221,465 8/1971 Sera ..... D7/570 X  
D. 237,339 10/1975 Knowles ..... D7/570 X

D. 258,710 3/1981 Walker ..... D7/557  
745,553 12/1903 Allen ..... 383/4 X  
1,464,534 8/1923 Lovett, Jr. .... 206/423 X  
2,645,913 7/1953 Curtiss ..... D7/512 X  
2,763,421 9/1956 Bennett ..... D7/570 X  
5,005,760 4/1991 van der Hoogen ..... 229/189 X

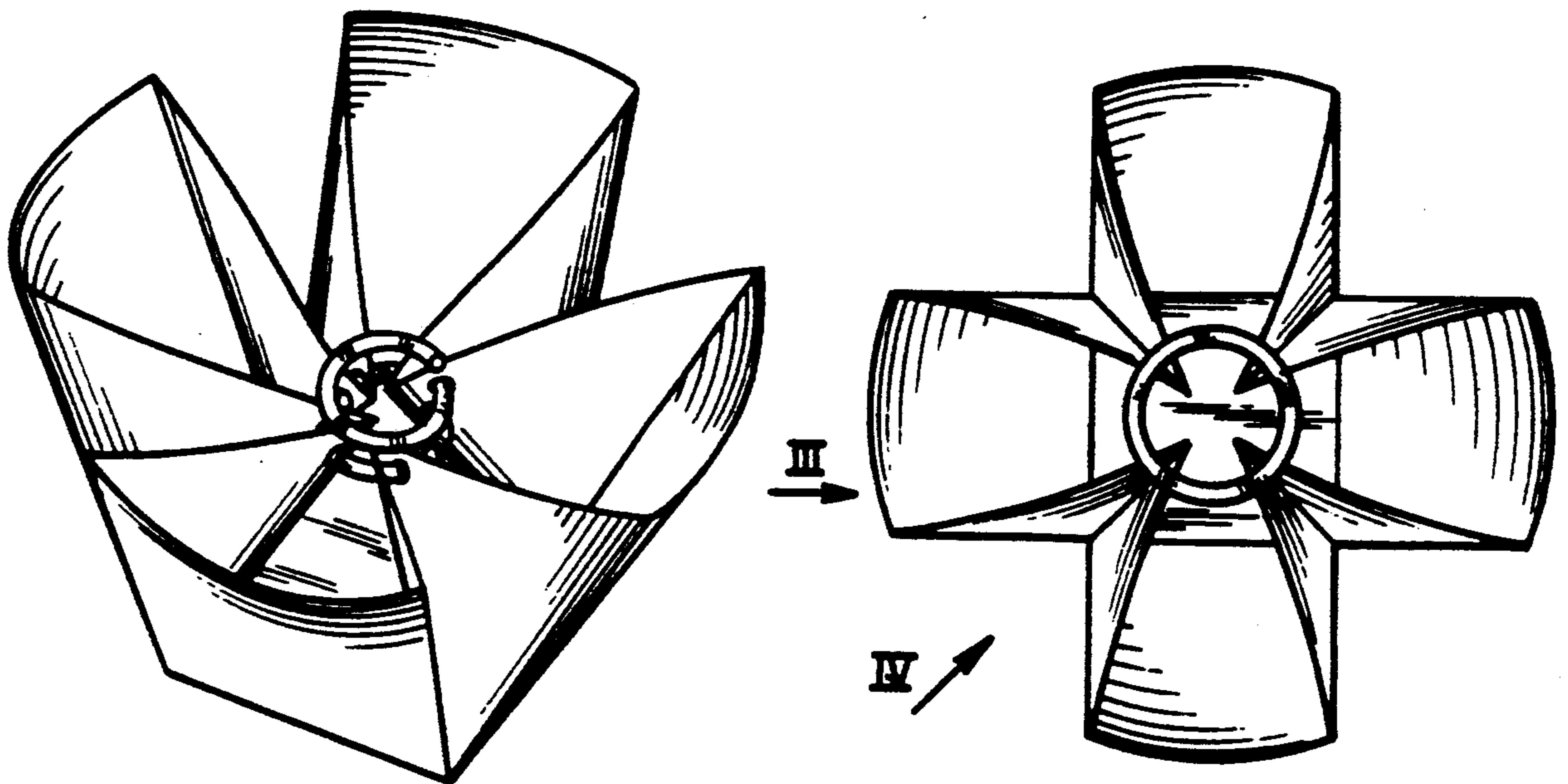
Primary Examiner—Winifred E. Herrmann  
Attorney, Agent, or Firm—John P. White

[57] CLAIM

The ornamental design for a collapsible cup for beverage, food, or similar article, as shown and described.

DESCRIPTION

FIG. 1 is a top perspective view of a collapsible cup for beverage, food, or similar article showing my new design;  
FIG. 2 is a top plan view;  
FIG. 3 is a side elevational view taken in the direction of arrow III on FIG. 2;  
FIG. 4 is a side elevational view taken in the direction of arrow IV on FIG. 2; and  
FIG. 5 is a bottom plan view thereof.



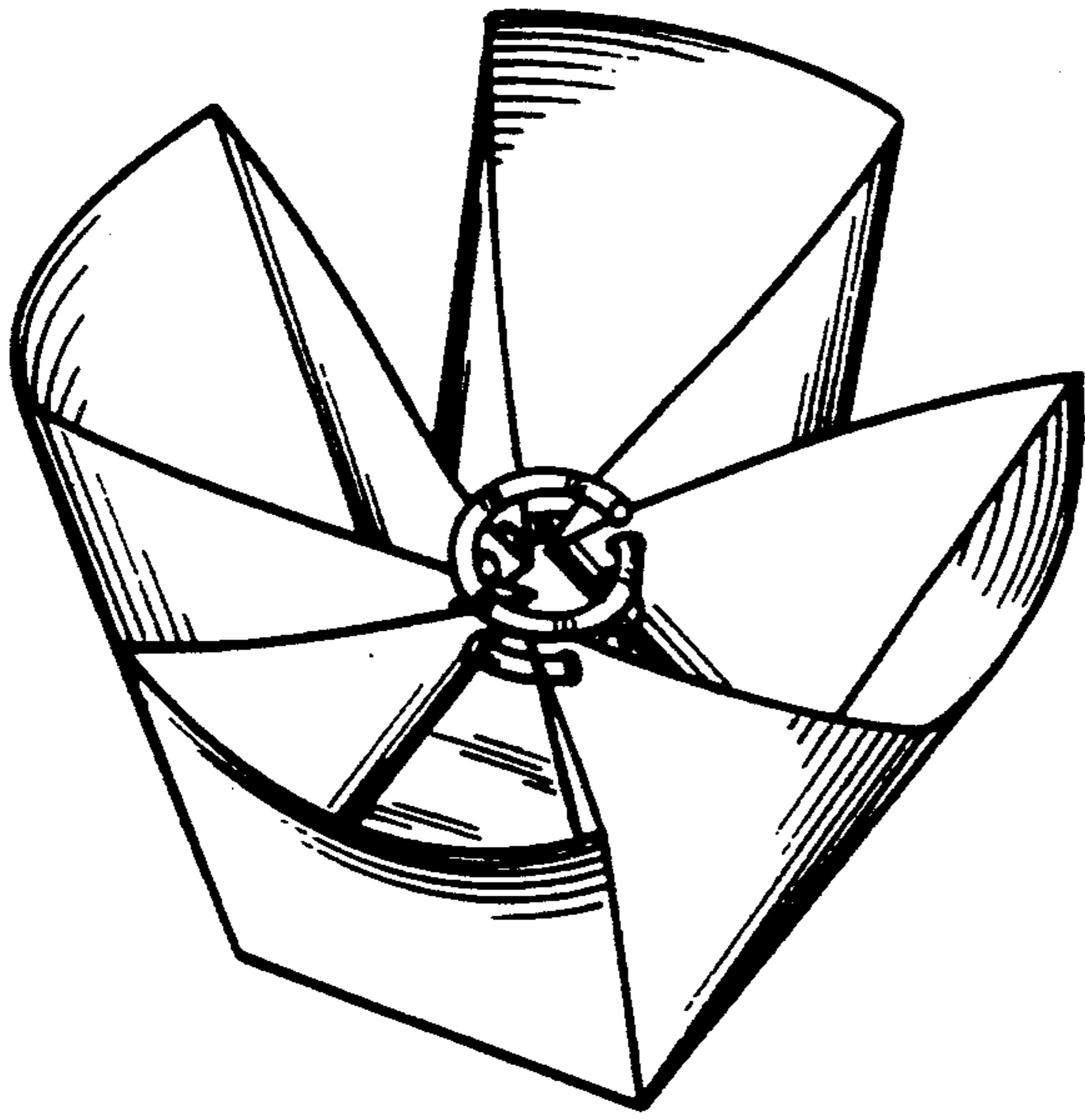


FIG. 1

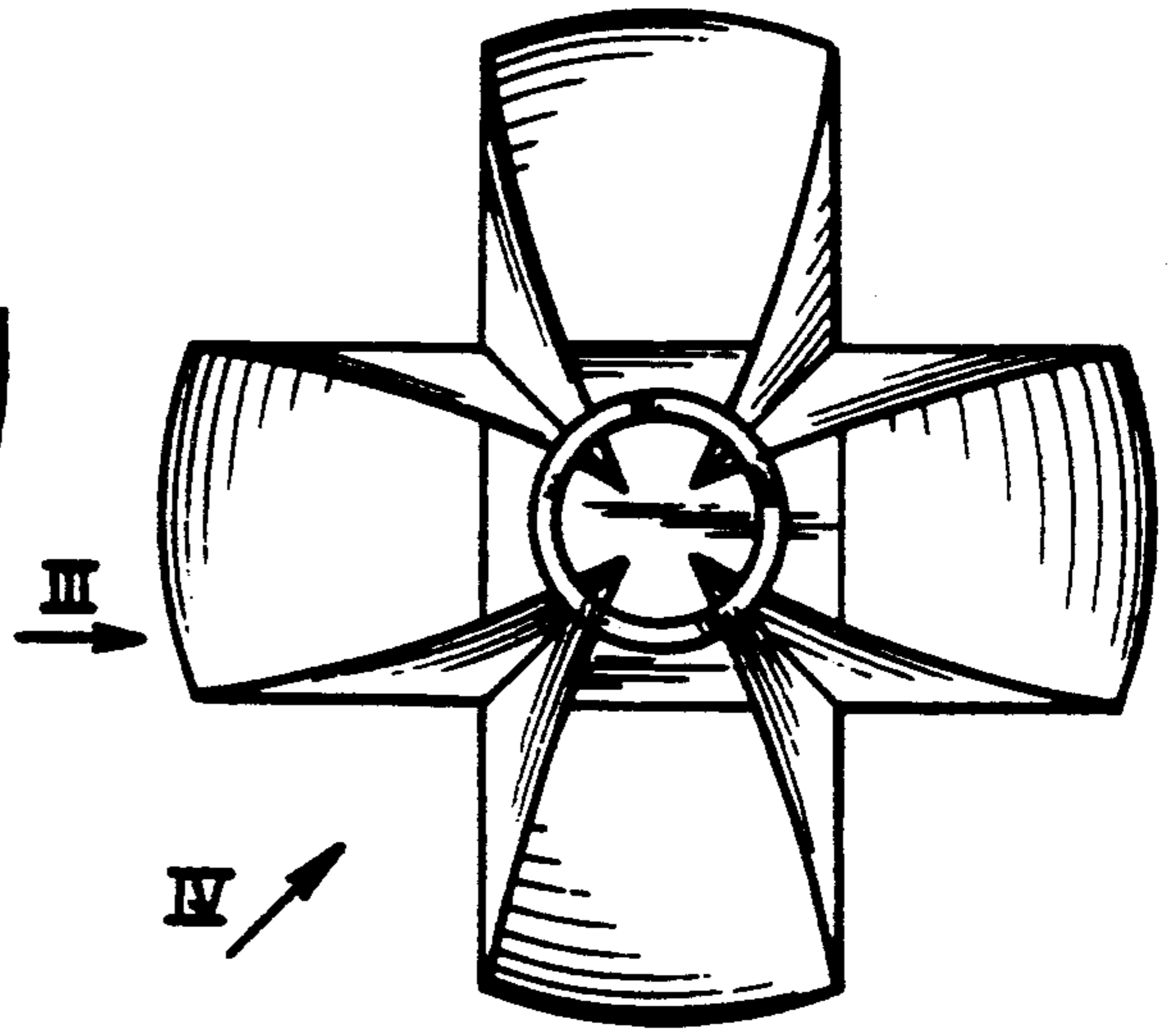


FIG. 2

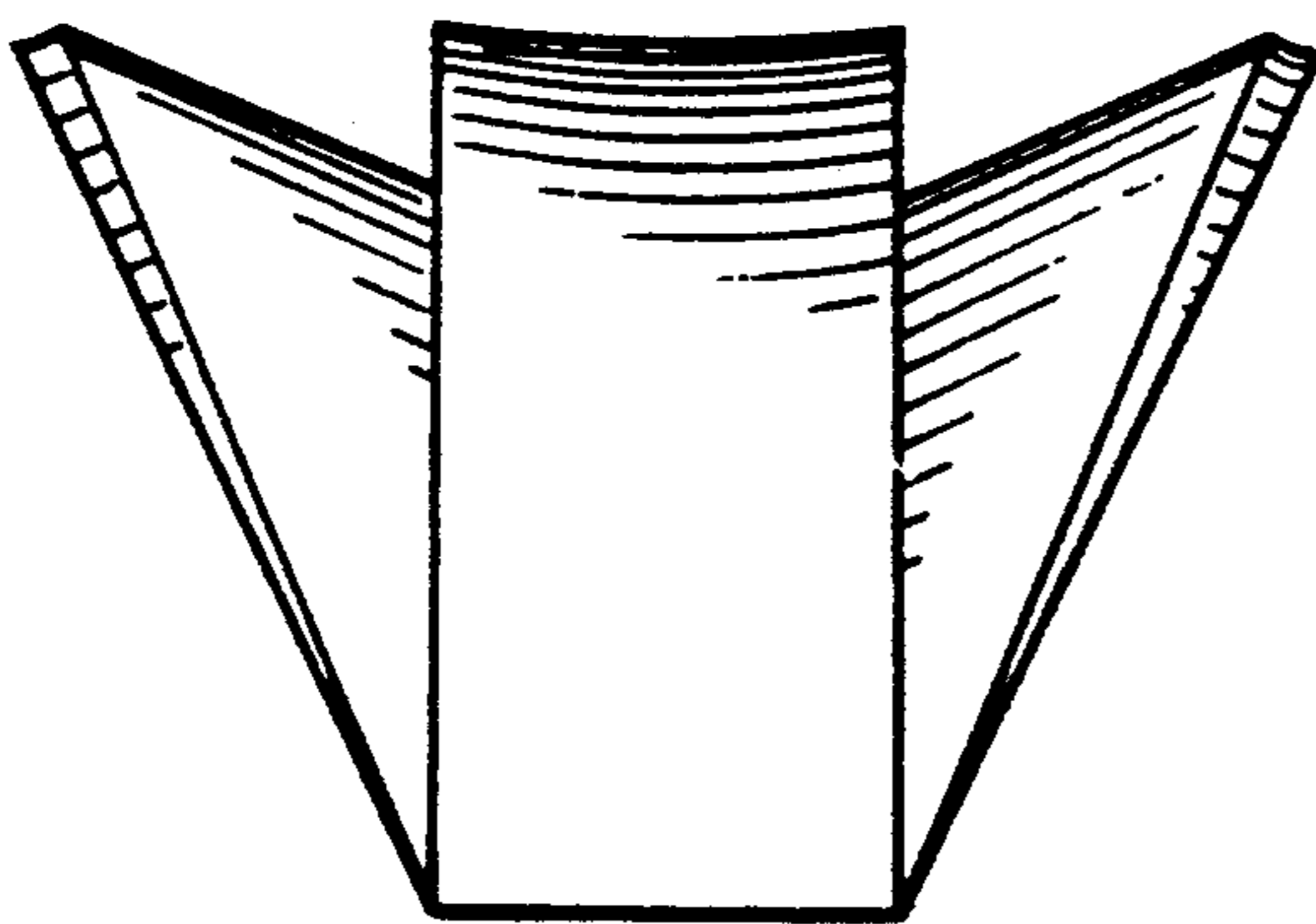


FIG. 3

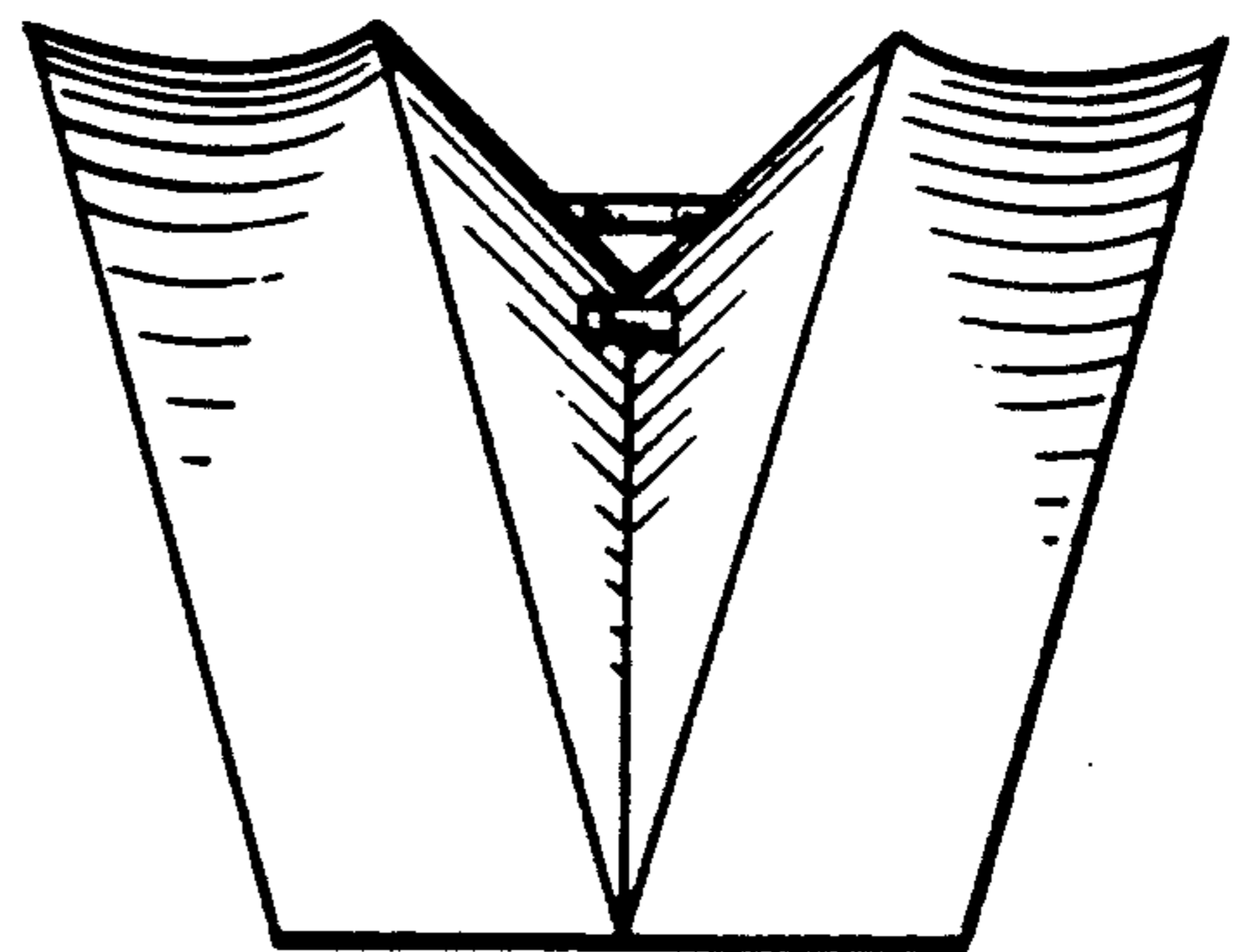


FIG. 4

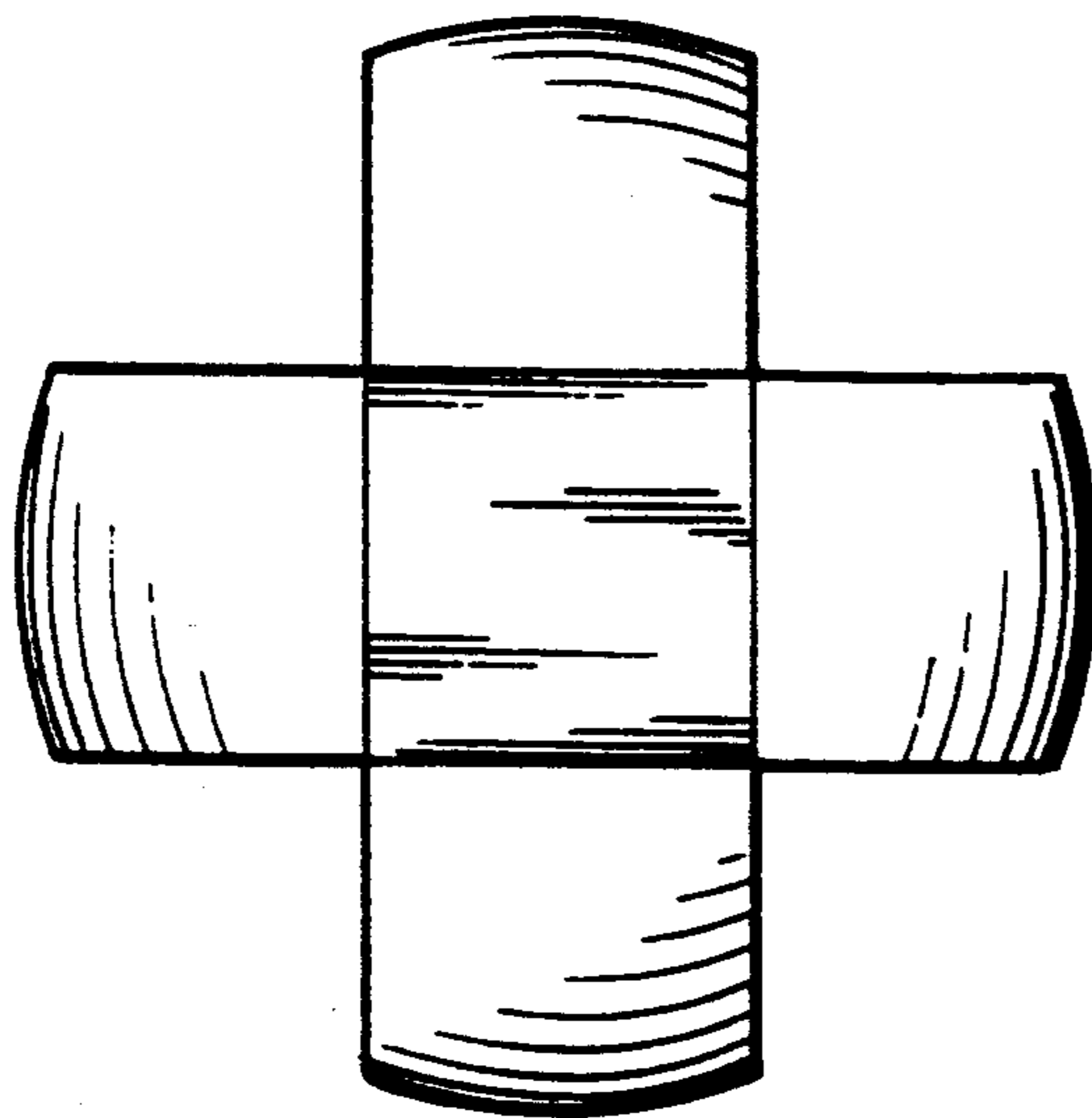


FIG. 5

UNITED STATES PATENT AND TRADEMARK OFFICE  
**CERTIFICATE OF CORRECTION**

PATENT NO. : D 322,012  
DATED : December 3, 1991  
INVENTOR(S) : Philippe Mercier

It is certified that error appears in the above-identified patent and that said Letters Patent is hereby corrected as shown below:

On the title Page, Item

(73) Assignee:

Delete Assignee information - patent is not assigned.

(56) References Cited:

Attorney, Agent or Firm - Change "John P. White" to  
-- Thomas R. Morrison, Morrison Law Firm --

Signed and Sealed this  
First Day of March, 1994



**BRUCE LEHMAN**

*Commissioner of Patents and Trademarks*

*Attest:*

*Attesting Officer*