

[54] FOOD MIXER

[75] Inventor: Lawrence A. Doggett, Lincoln Township, Berrien County, Mich.

[73] Assignee: Whirlpool Corporation, Benton Harbor, Mich.

[**] Term: 14 Years

[21] Appl. No.: 267,787

[22] Filed: Nov. 7, 1988

[52] U.S. Cl. D7/379; D10/2

[58] Field of Search D7/376, 379, 380, 386, D7/412, 414, 415; 366/129, 279, 601, 98; D10/2

[56] References Cited

U.S. PATENT DOCUMENTS

- D. 116,747 9/1939 Meeker et al. D7/379
- D. 120,342 5/1940 Geiger et al. D7/379

OTHER PUBLICATIONS

Best Products 84/85 Catalog, p. 216, "Kitchen Aid"
 Food Mixers—#1, #2, #3 Panels.
Retailing Home Furnishings, HFD, Section One, Nov.

17, 1980, p. 39, "On the Shelves by '82"—Touch Controls/Food Mixer.

Primary Examiner—Winifred E. Herrmann
Attorney, Agent, or Firm—Thomas J. Roth; Stephen D. Krefman; Thomas E. Turcotte

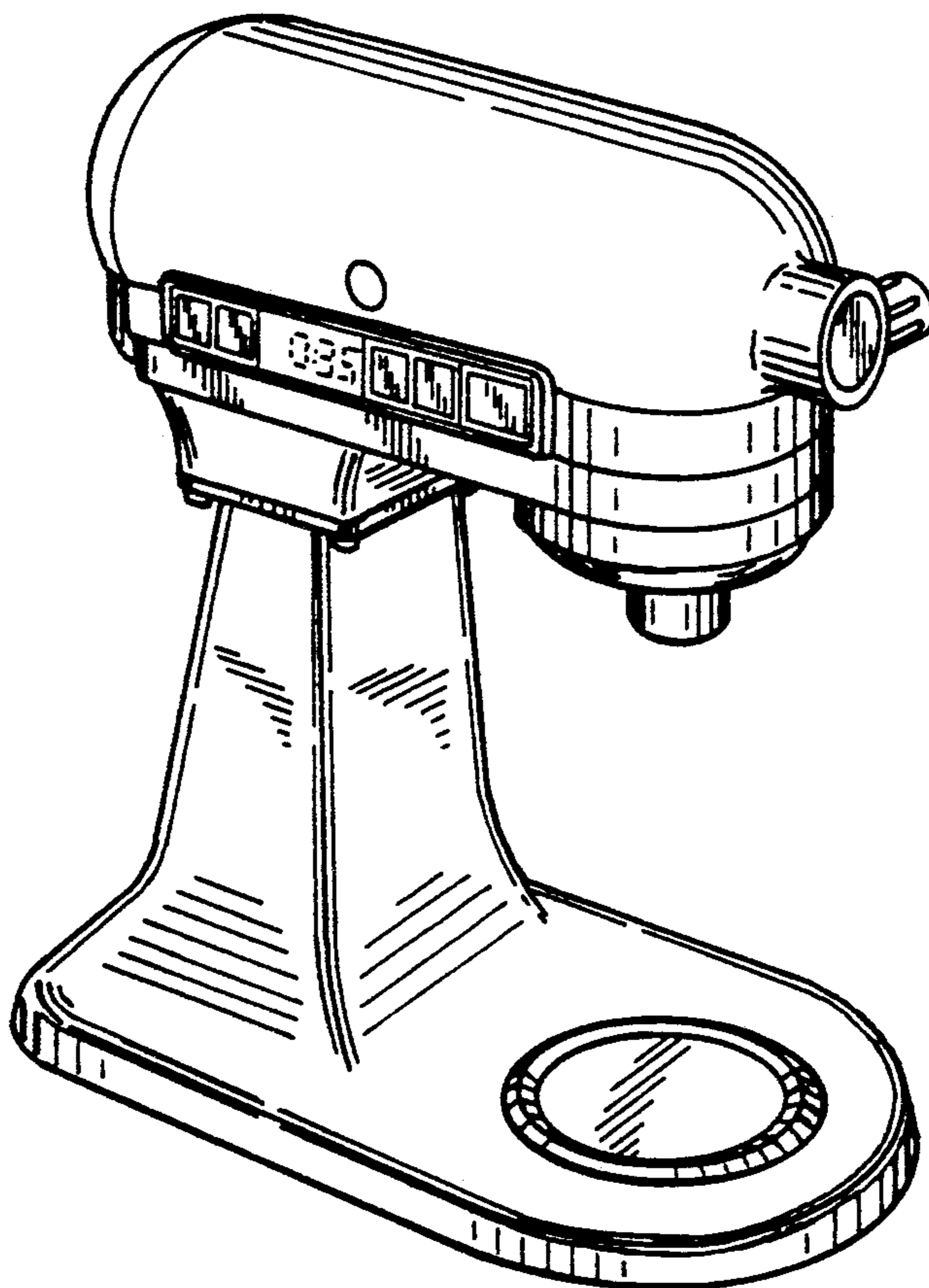
[57] CLAIM

The ornamental design for a food mixer, as shown and described.

DESCRIPTION

FIG. 1 is a top, front and left side perspective view of a food mixer showing my new design;
 FIG. 2 is a left side elevational view;
 FIG. 3 is a front elevational view;
 FIG. 4 is a right side elevational view;
 FIG. 5 is a rear elevational view;
 FIG. 6 is a top plan view; and
 FIG. 7 is a bottom plan view thereof.

The characteristic feature of the design resides in the configuration of the side mounted mixer touch control and display panel in combination with the food mixer head as best shown in FIGS. 1-3 and 5.



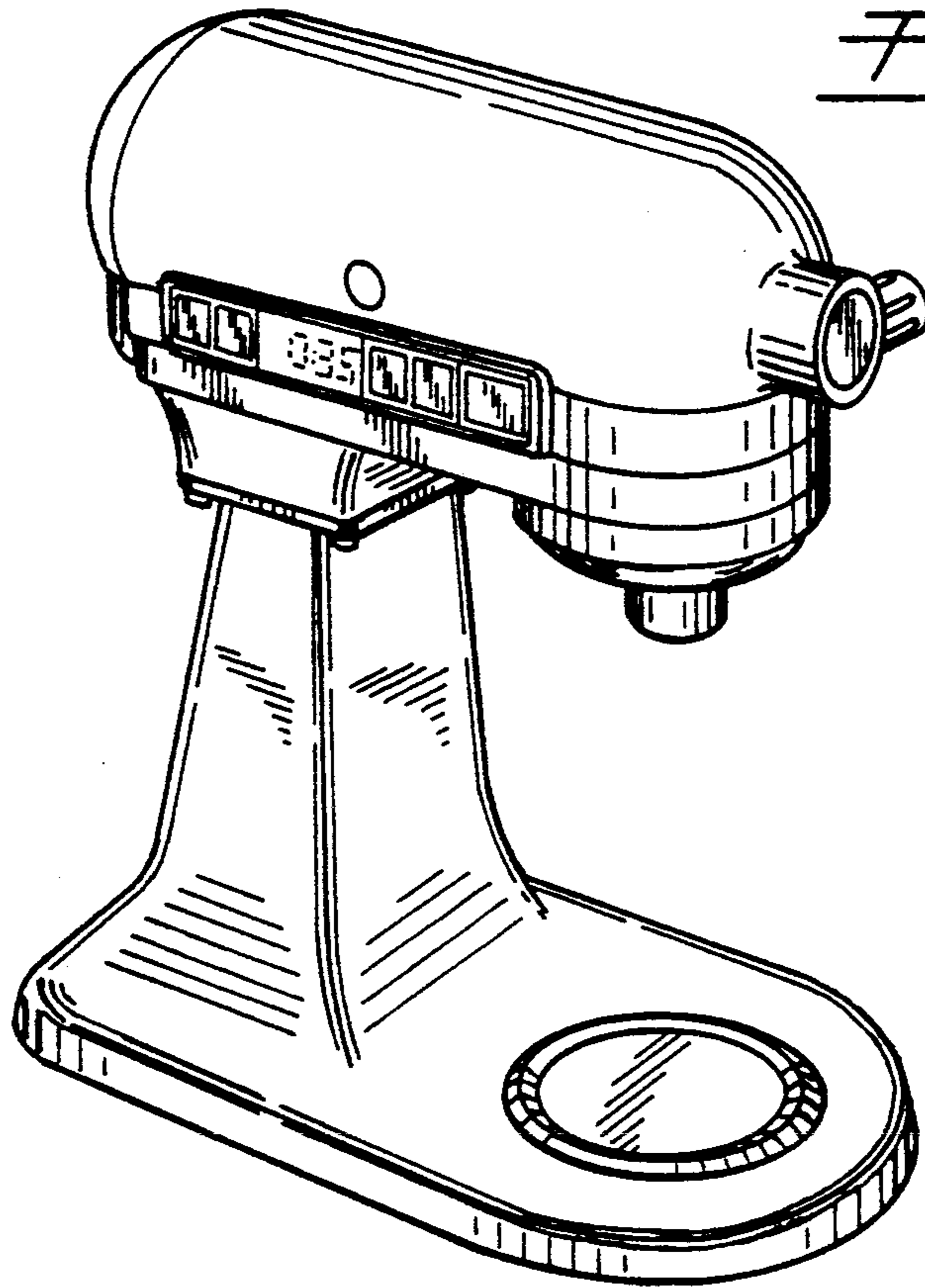


FIG. 1

FIG. 2

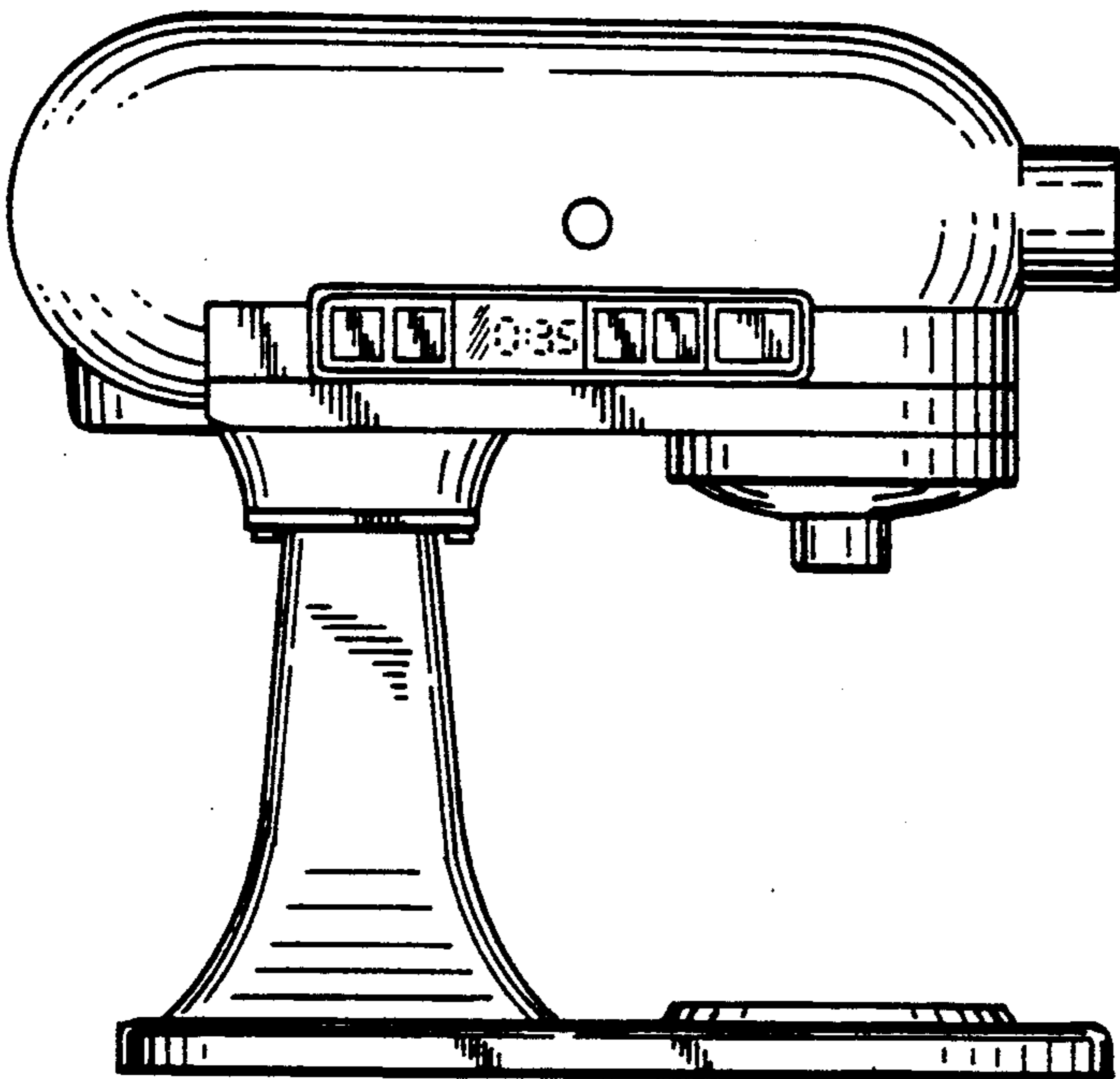


FIG. 3

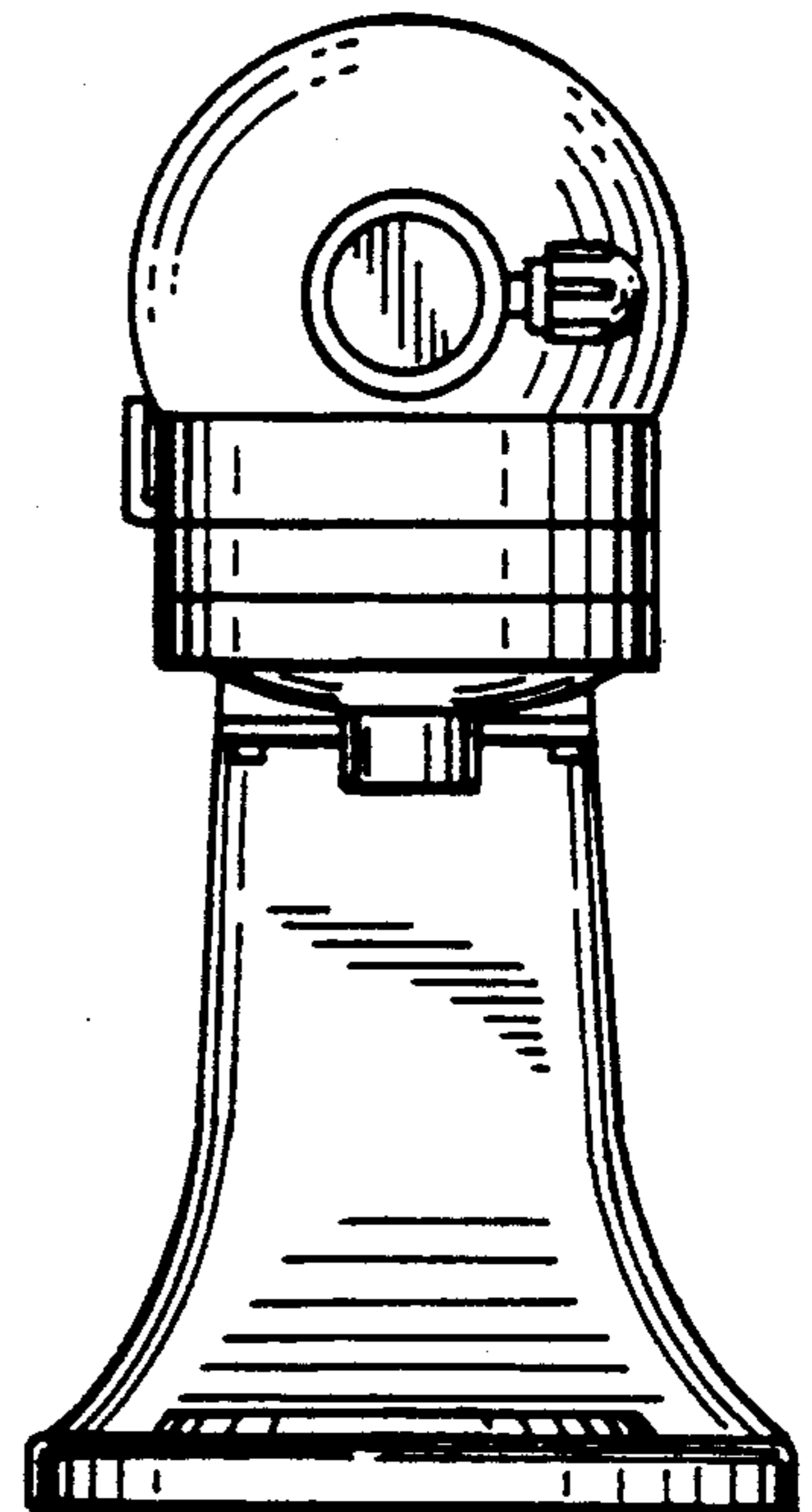


FIG-4

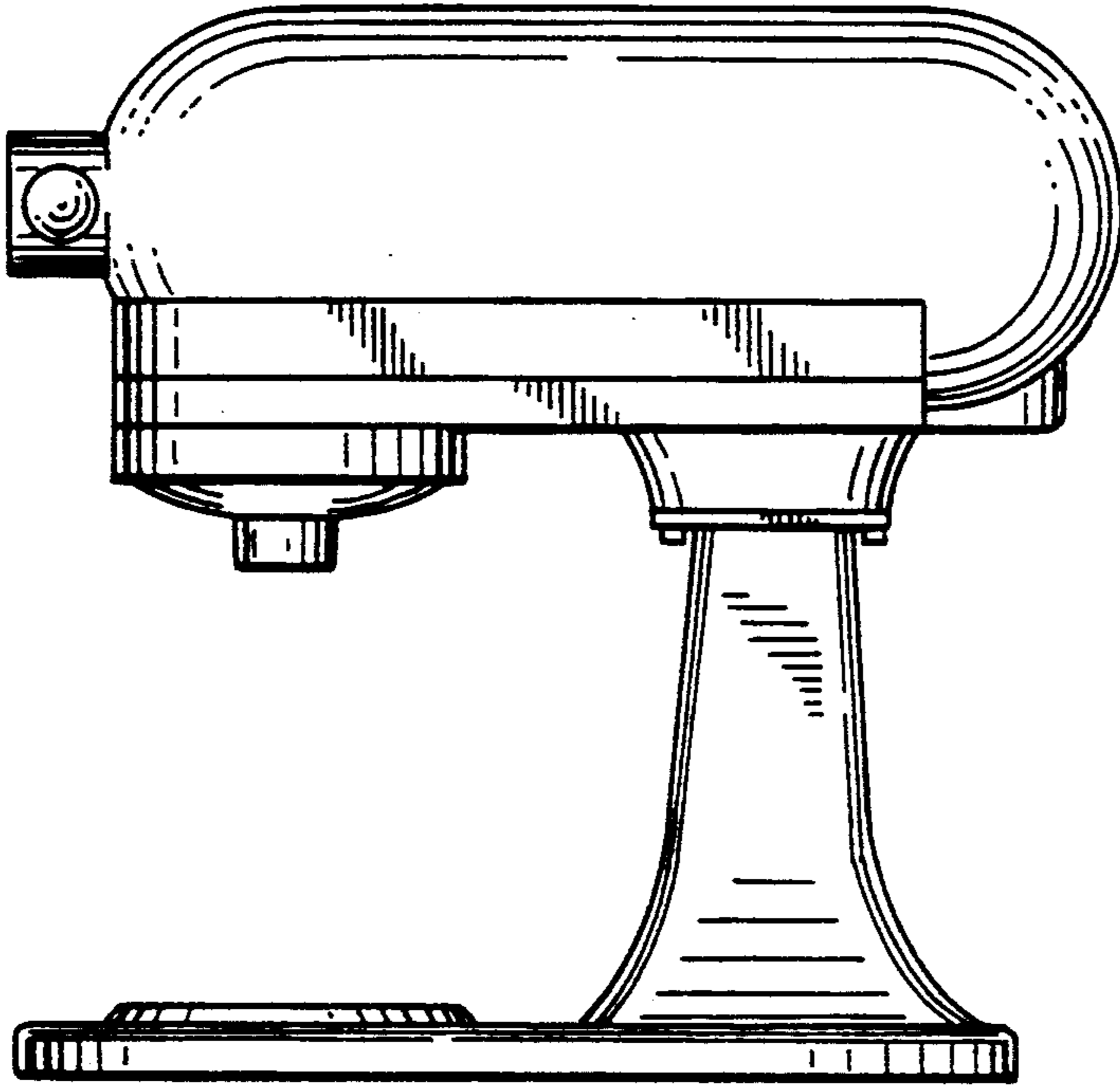


FIG-5

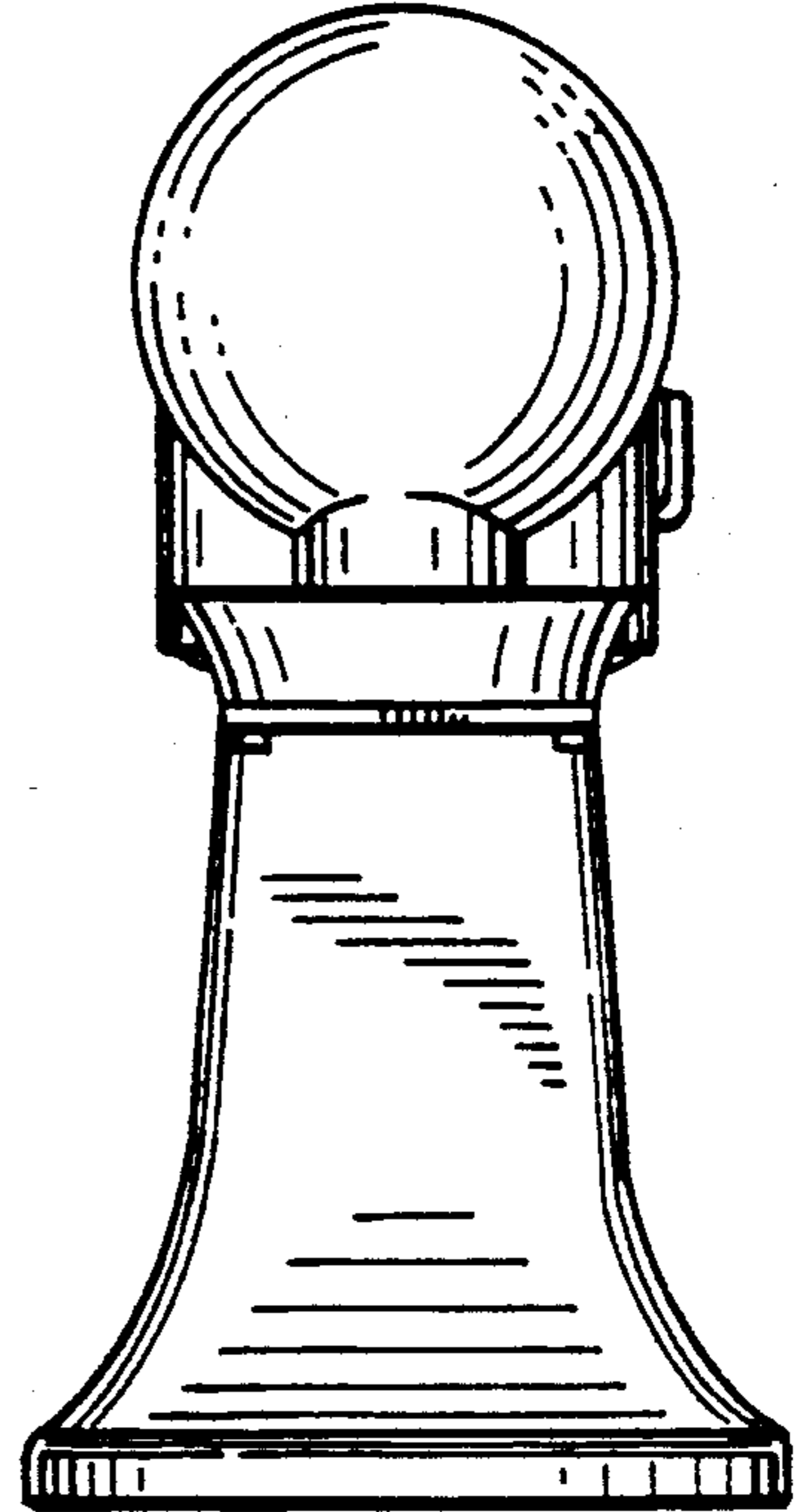


FIG-6

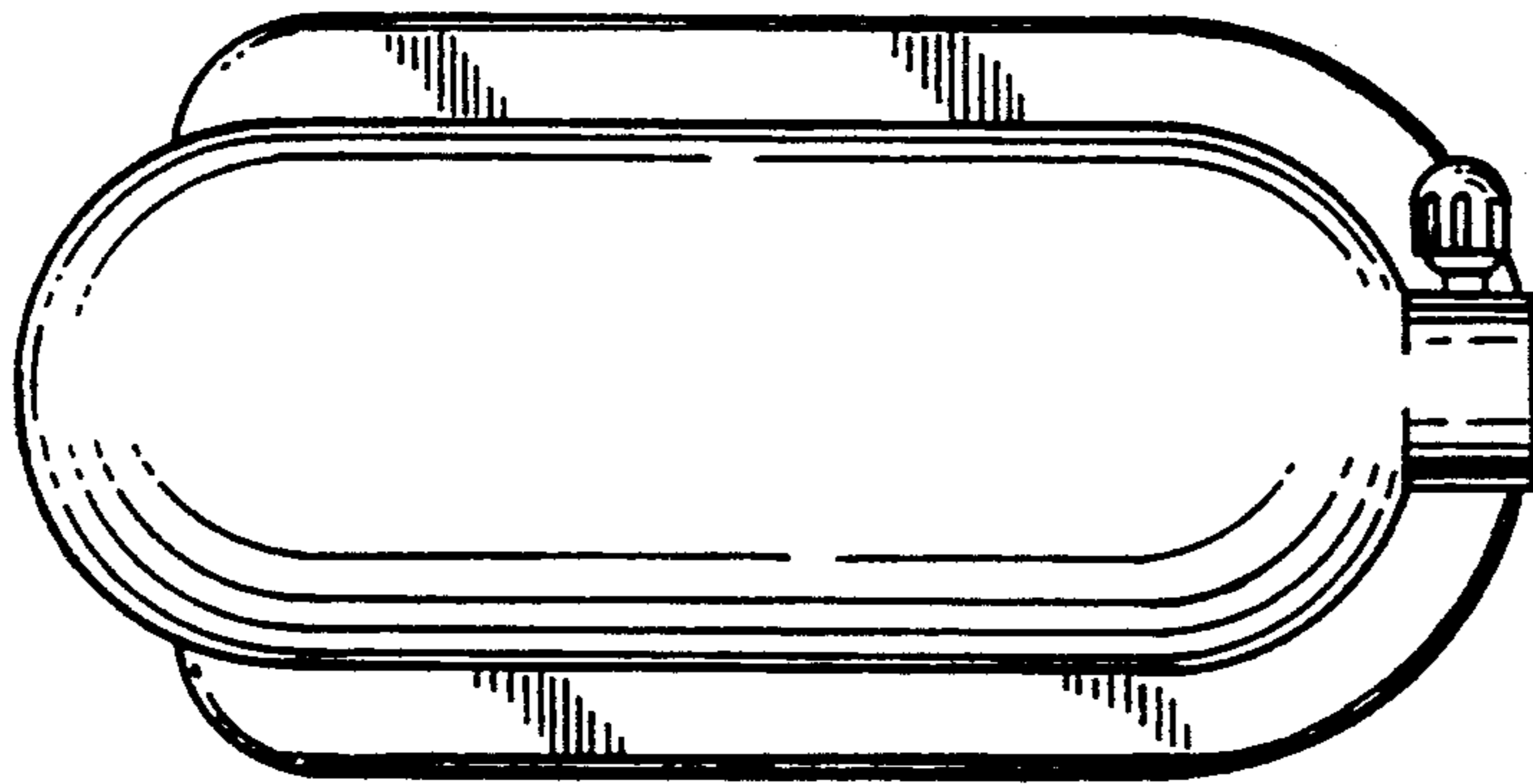


FIG-7

