

# United States Patent [19]

Adams et al.

[11] Patent Number: **Des. 322,007**

[45] Date of Patent: **\*\* Dec. 3, 1991**

[54] **THERMAL CARAFE**

[75] Inventors: **Duane D. Adams**, Deep River;  
**Ronald L. Muller**, Old Saybrook,  
both of Conn.

[73] Assignee: **North American Philips Corporation**,  
New York, N.Y.

[\*\*] Term: **14 Years**

[21] Appl. No.: **397,054**

[22] Filed: **Aug. 22, 1989**

[52] U.S. Cl. .... **D7/317; D7/319**

[58] Field of Search ..... **D7/317, 319, 300, 312,**  
**D7/316, 318, 321, 322**

[56] **References Cited**

**U.S. PATENT DOCUMENTS**

- D. 217,179 4/1970 Rakocy ..... D7/318
- D. 271,074 10/1983 Richardson ..... D7/318

- D. 283,194 4/1986 Durand ..... D7/318
- D. 287,807 1/1987 Wilson ..... D7/317
- 4,888,465 12/1989 Hoffmann ..... 99/307 X

*Primary Examiner*—Winifred E. Herrmann  
*Attorney, Agent, or Firm*—Jack E. Haken

[57] **CLAIM**

The ornamental design for a thermal carafe, as shown and described.

**DESCRIPTION**

FIG. 1 is a top, front, and right side perspective view of a thermal carafe showing our new design;  
 FIG. 2 is a top plan view thereof;  
 FIG. 3 is a front elevational view thereof;  
 FIG. 4 is a right side elevational view thereof, the opposite side is a mirror image;  
 FIG. 5 is a rear elevational view thereof;  
 FIG. 6 is a bottom plan view thereof; and  
 FIG. 7 is another perspective view thereof with the stopper removed for purposes of illustration.

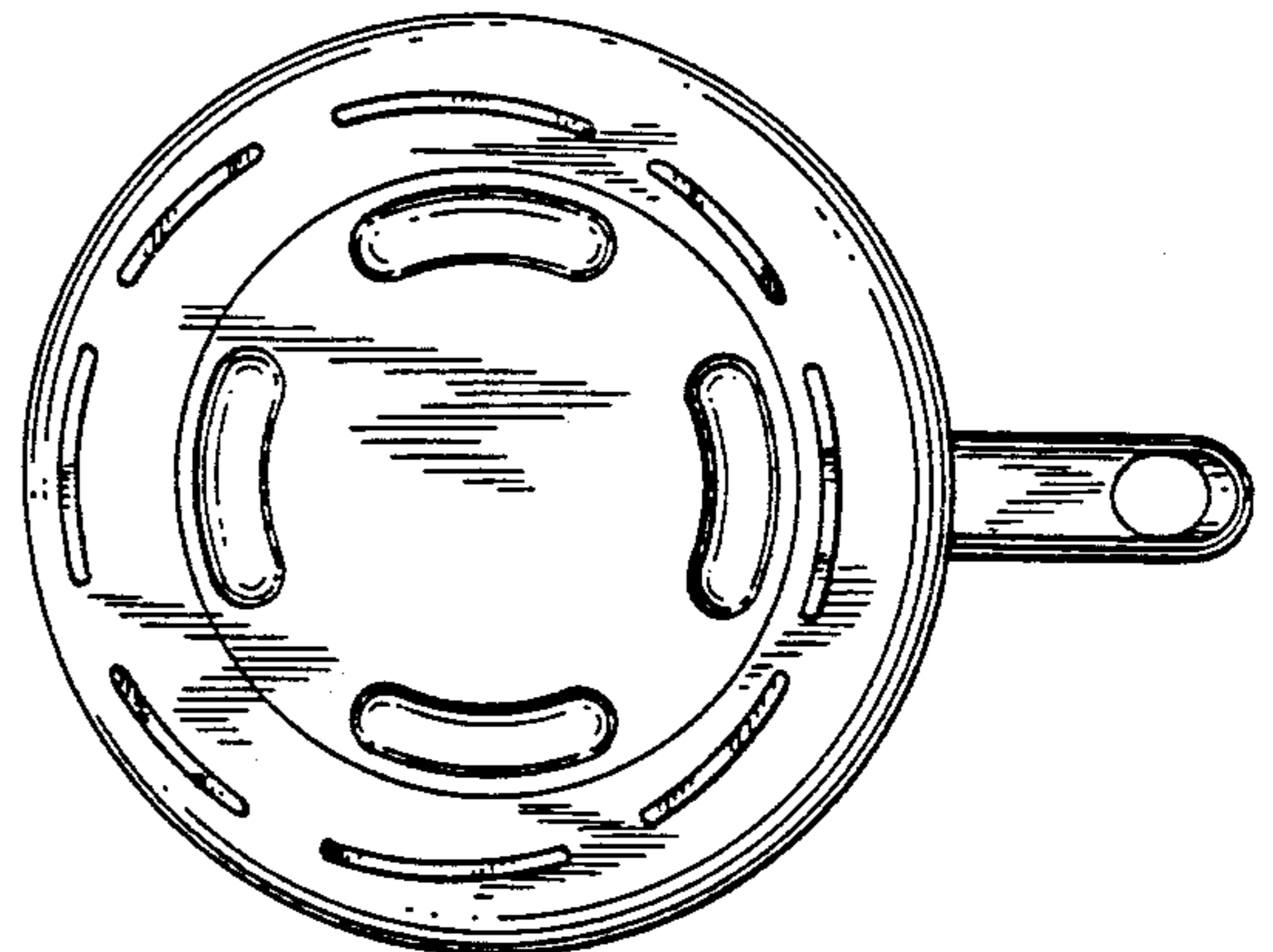
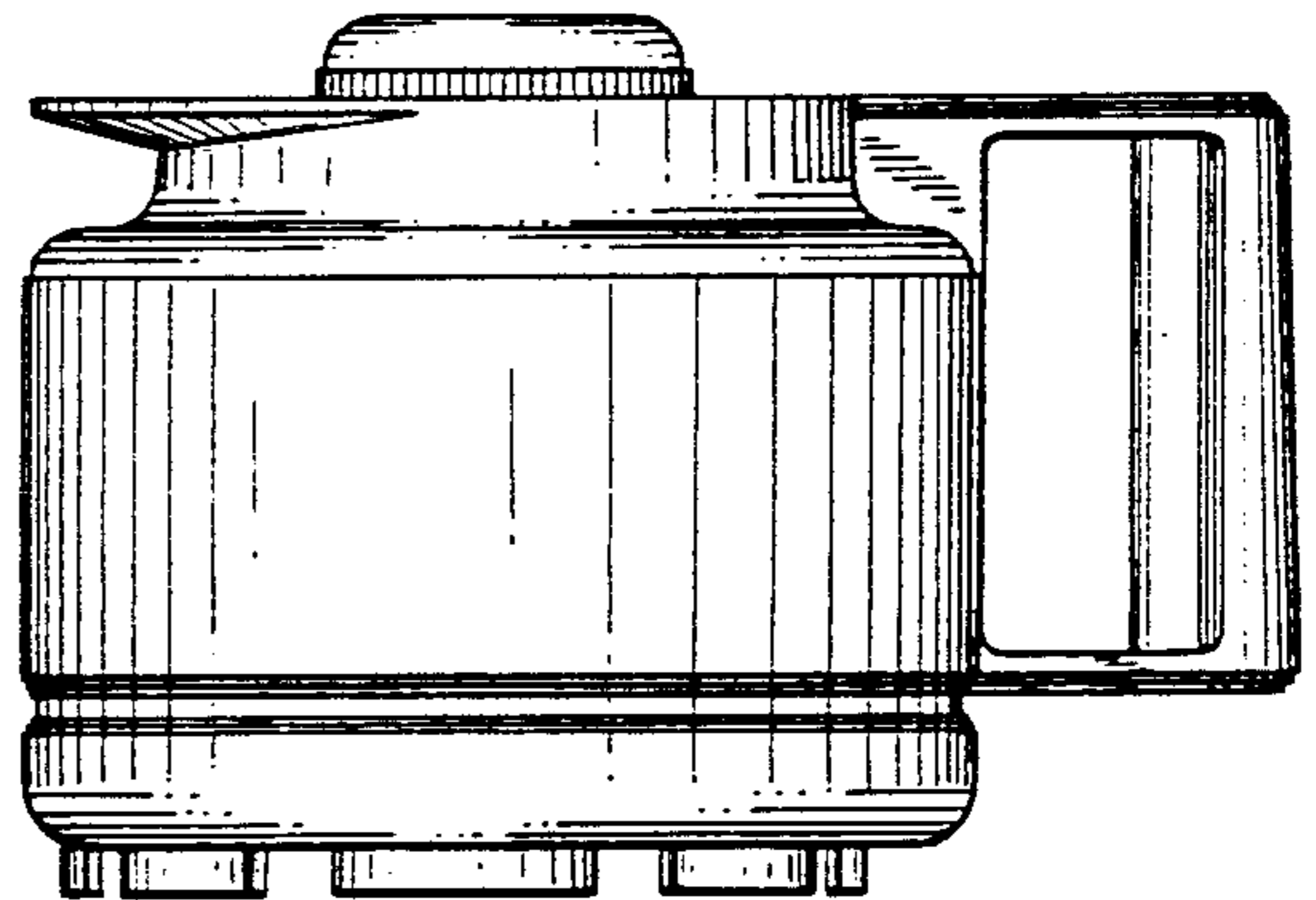
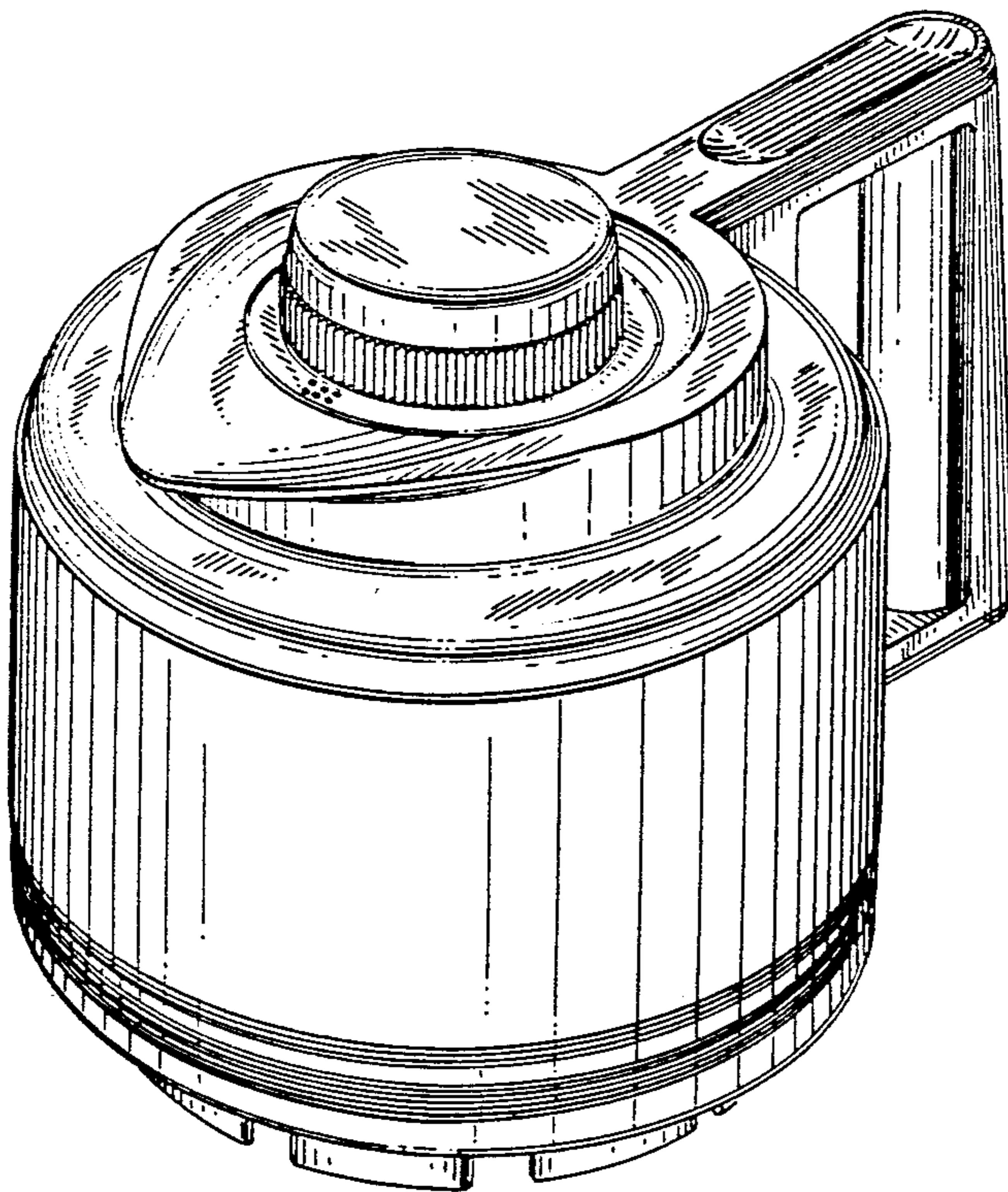
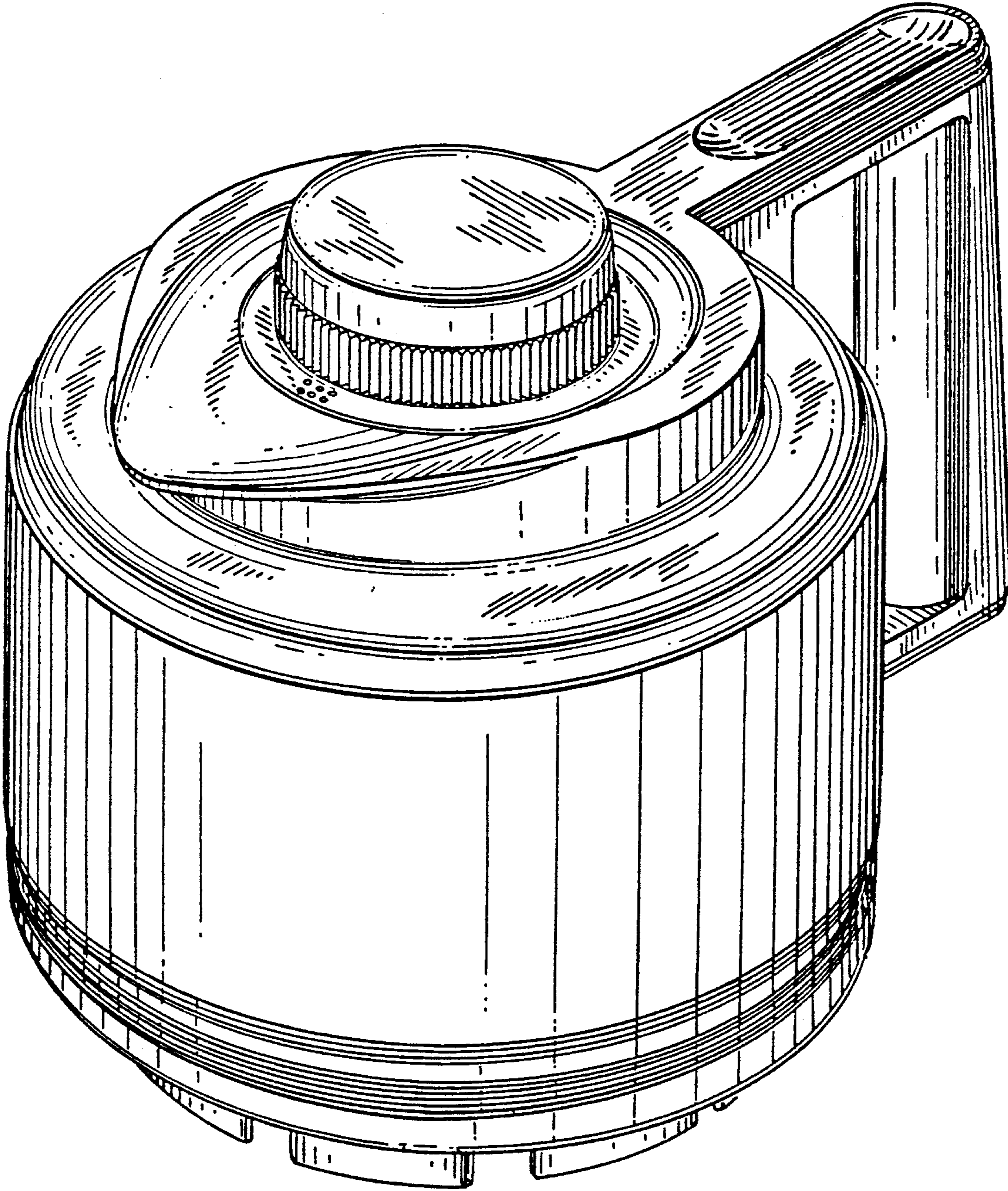
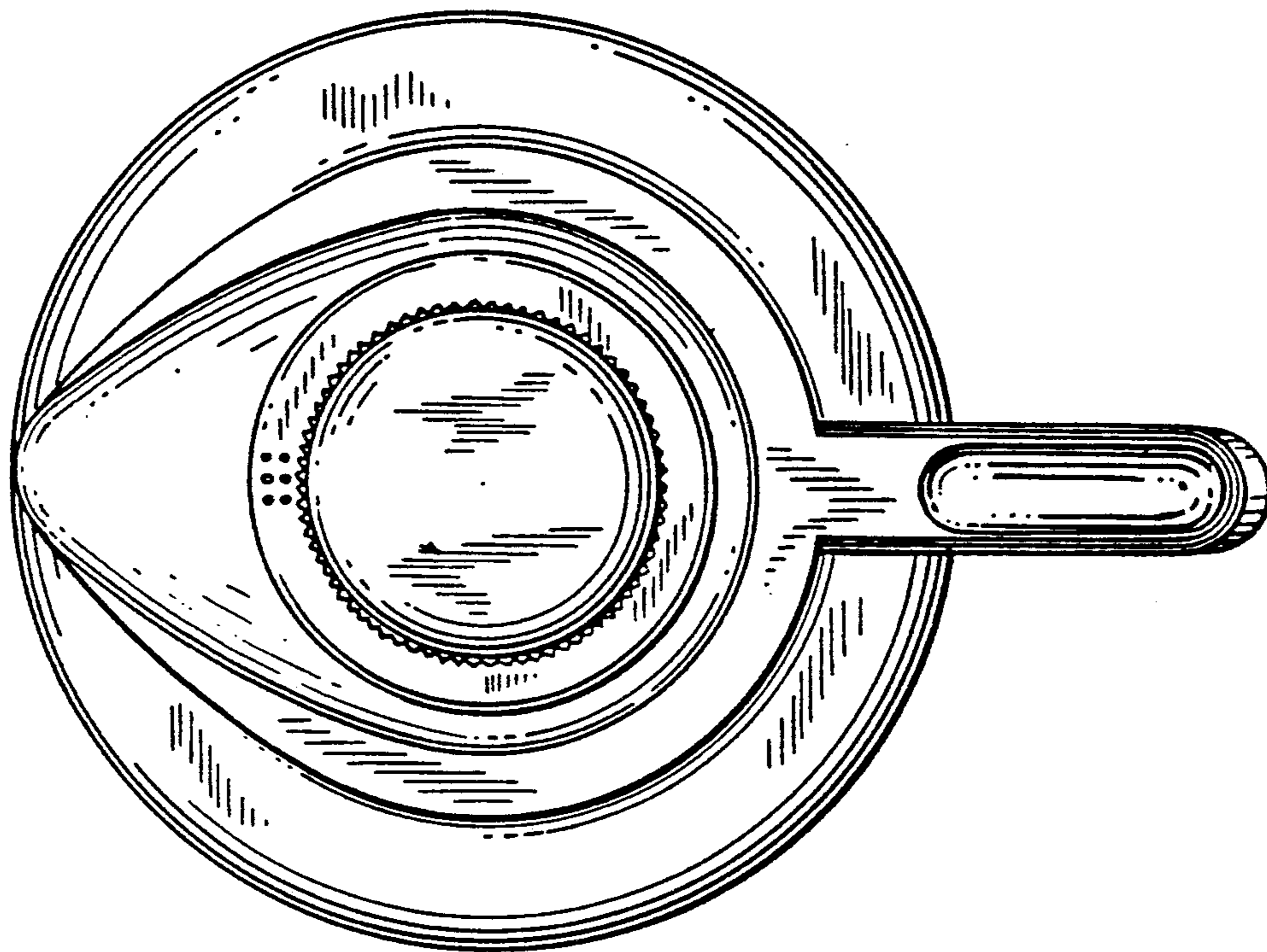


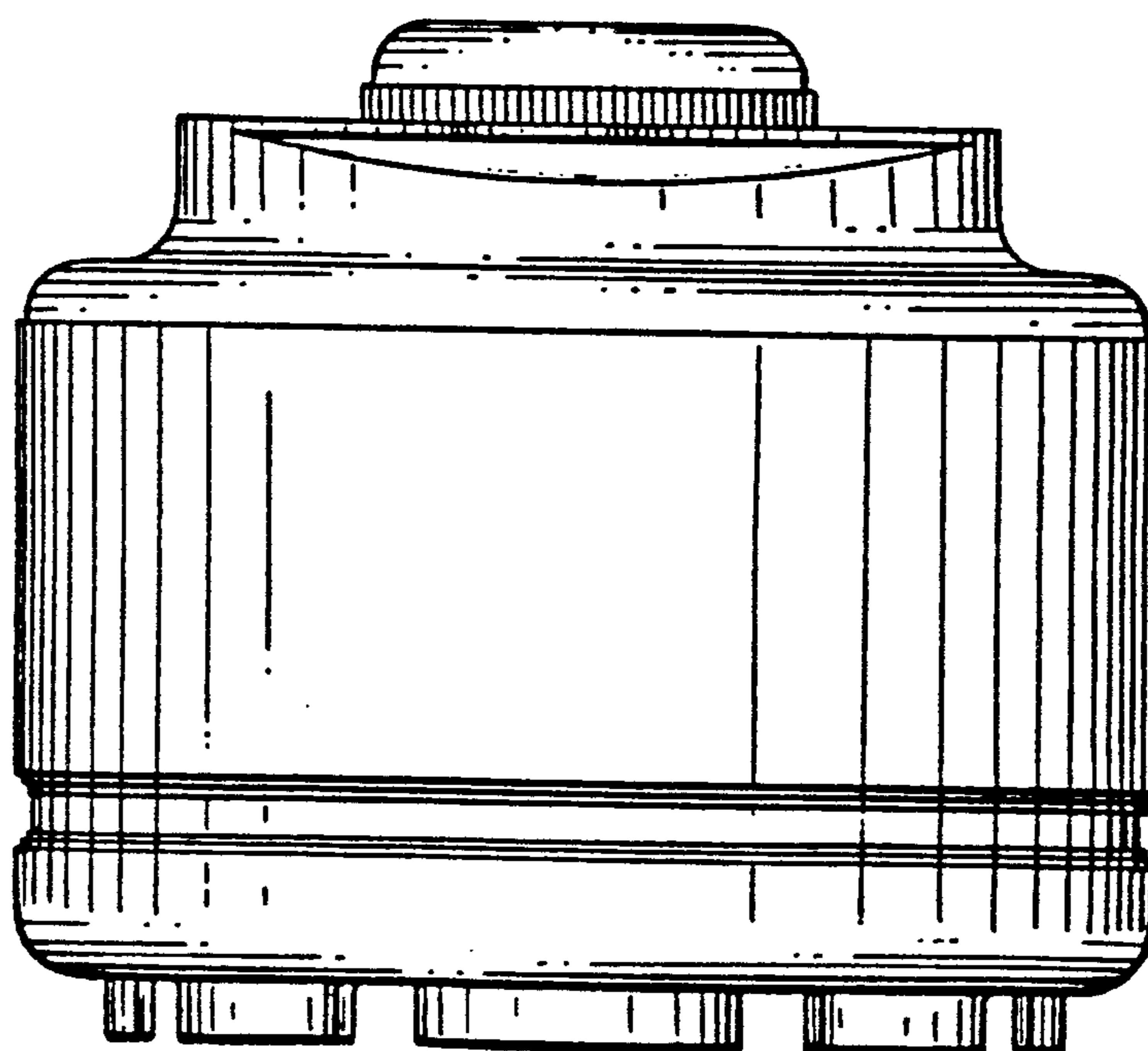
FIG. 1



*FIG. 2*



*FIG. 3*



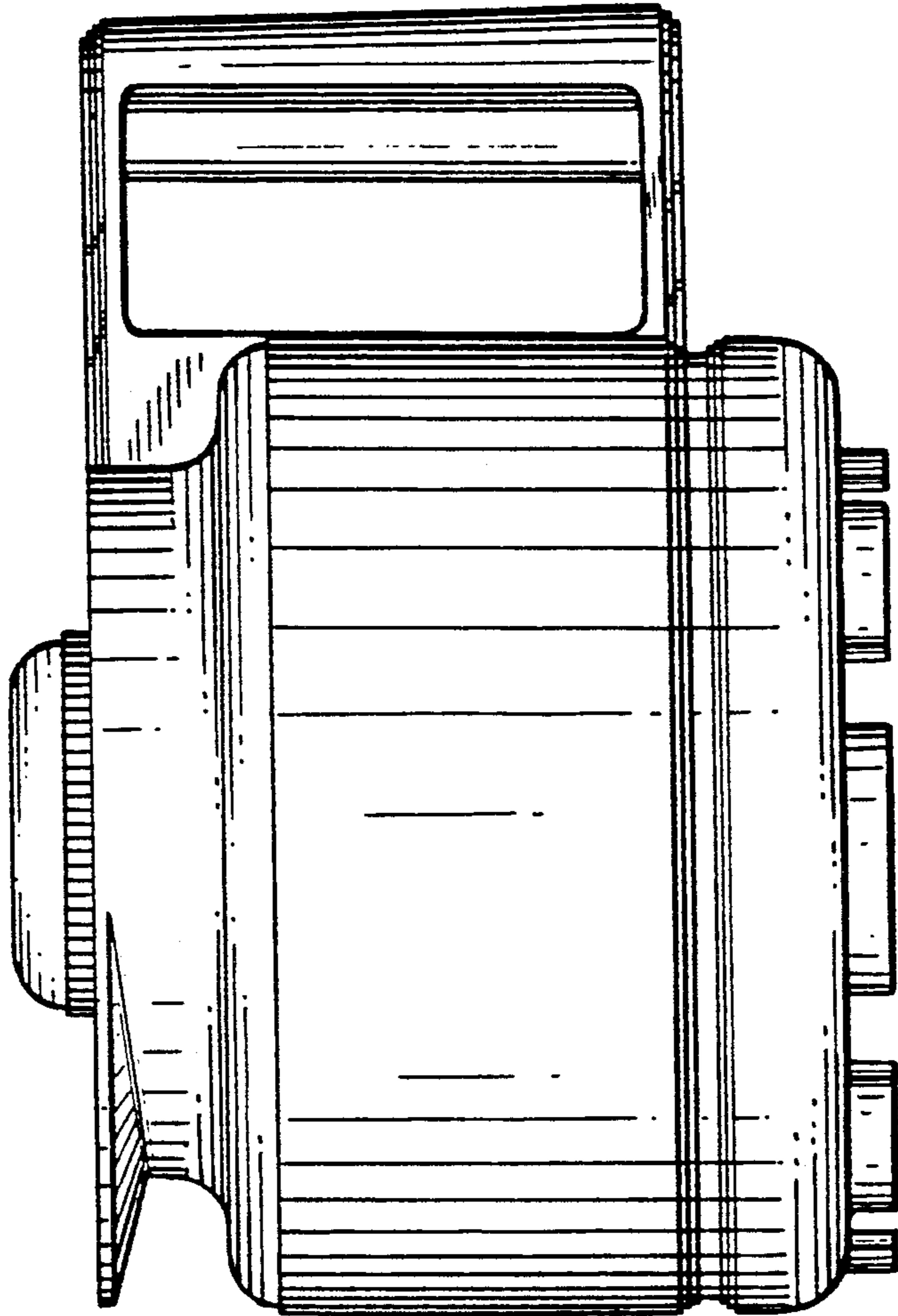
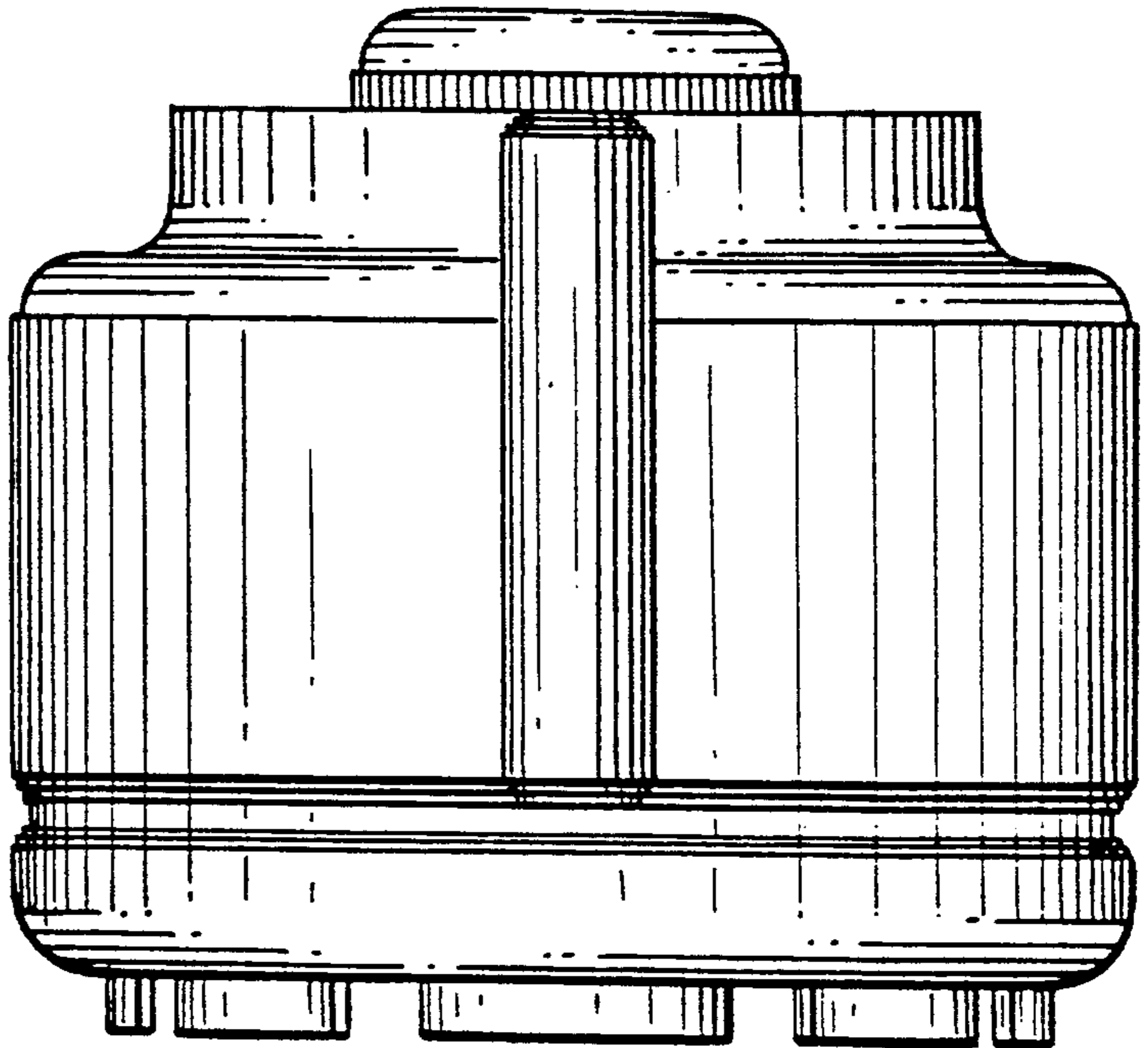


FIG. 4

*FIG. 5*



*FIG. 6*

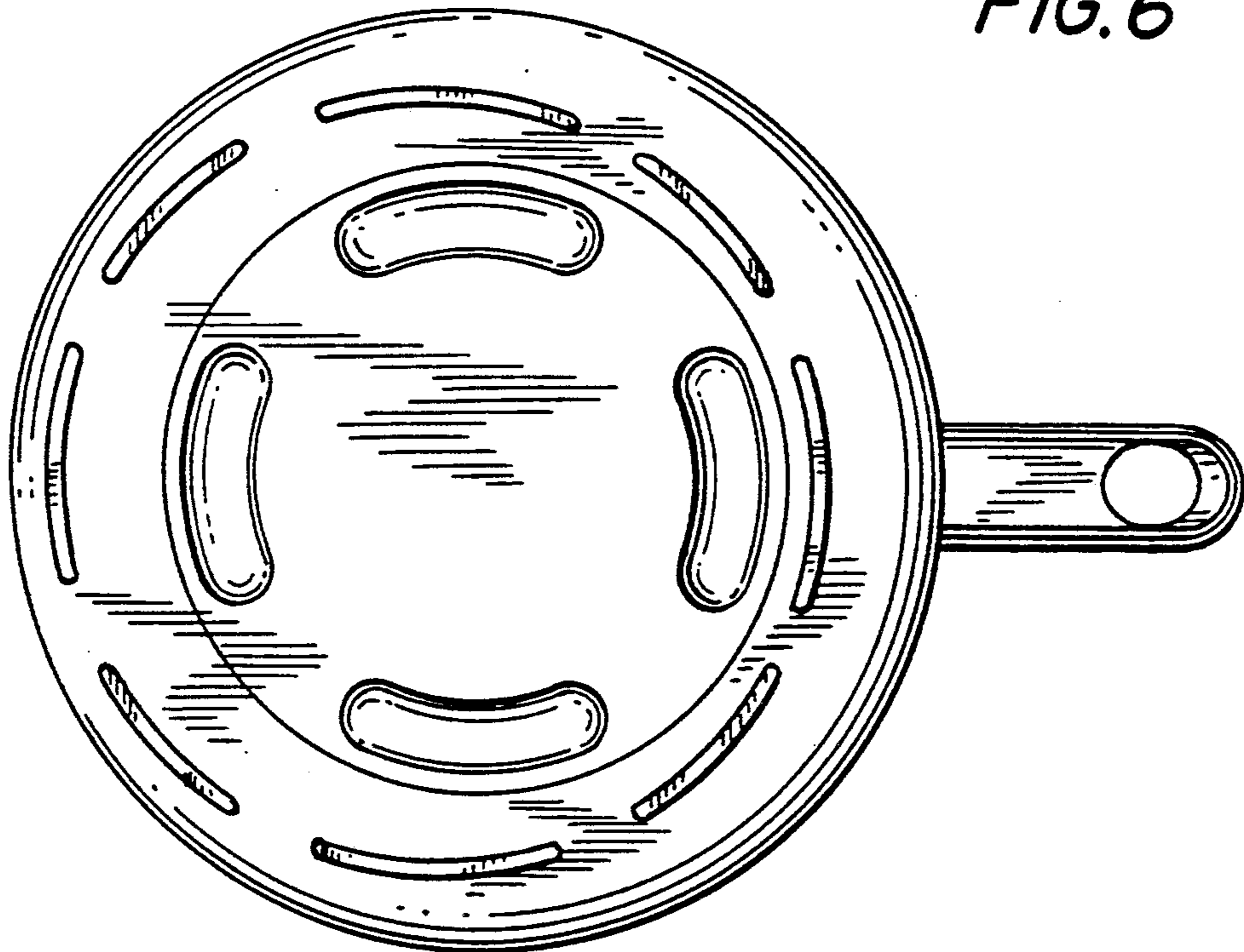


FIG. 7

