

[54] **BEVERAGE POT**

[75] **Inventor: Sun K. Cliff, Kowloon, Hong Kong**

[73] **Assignee: Kin Hip Metal & Plastic Factory Limited, Kwun Tong, Hong Kong**

[**] **Term: 14 Years**

[21] **Appl. No.: 347,231**

[22] **Filed: May 1, 1989**

[30] **Foreign Application Priority Data**

Feb. 15, 1989 [GB] United Kingdom D1057171

[52] **U.S. Cl. D7/317**

[58] **Field of Search D7/317, 319, 312, 300, D7/316, 318**

[56] **References Cited**

U.S. PATENT DOCUMENTS

D. 17,426 7/1887 Brownfield D7/319
D. 44,026 5/1913 Sanford D7/317

D. 205,235 7/1966 Penraat D7/536

D. 286,254 10/1986 Zimmermann D7/317

D. 302,925 8/1989 Zimmermann D7/319 X

OTHER PUBLICATIONS

Tableware International, Oct. 1985, p. 19, Vacuum Bottle #FH 1060/far left item—Fuu Hwa Vacuum Bottle Co.

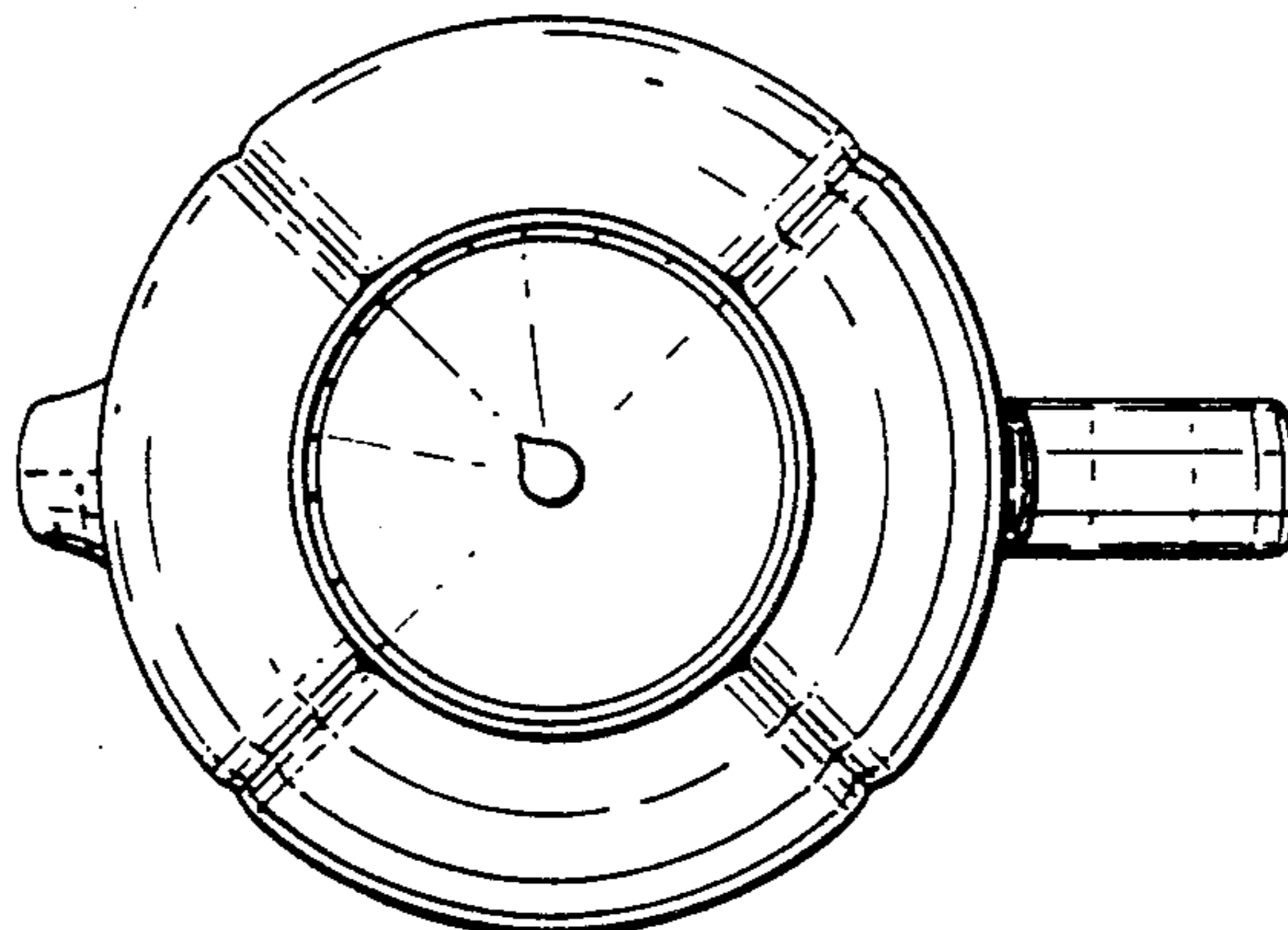
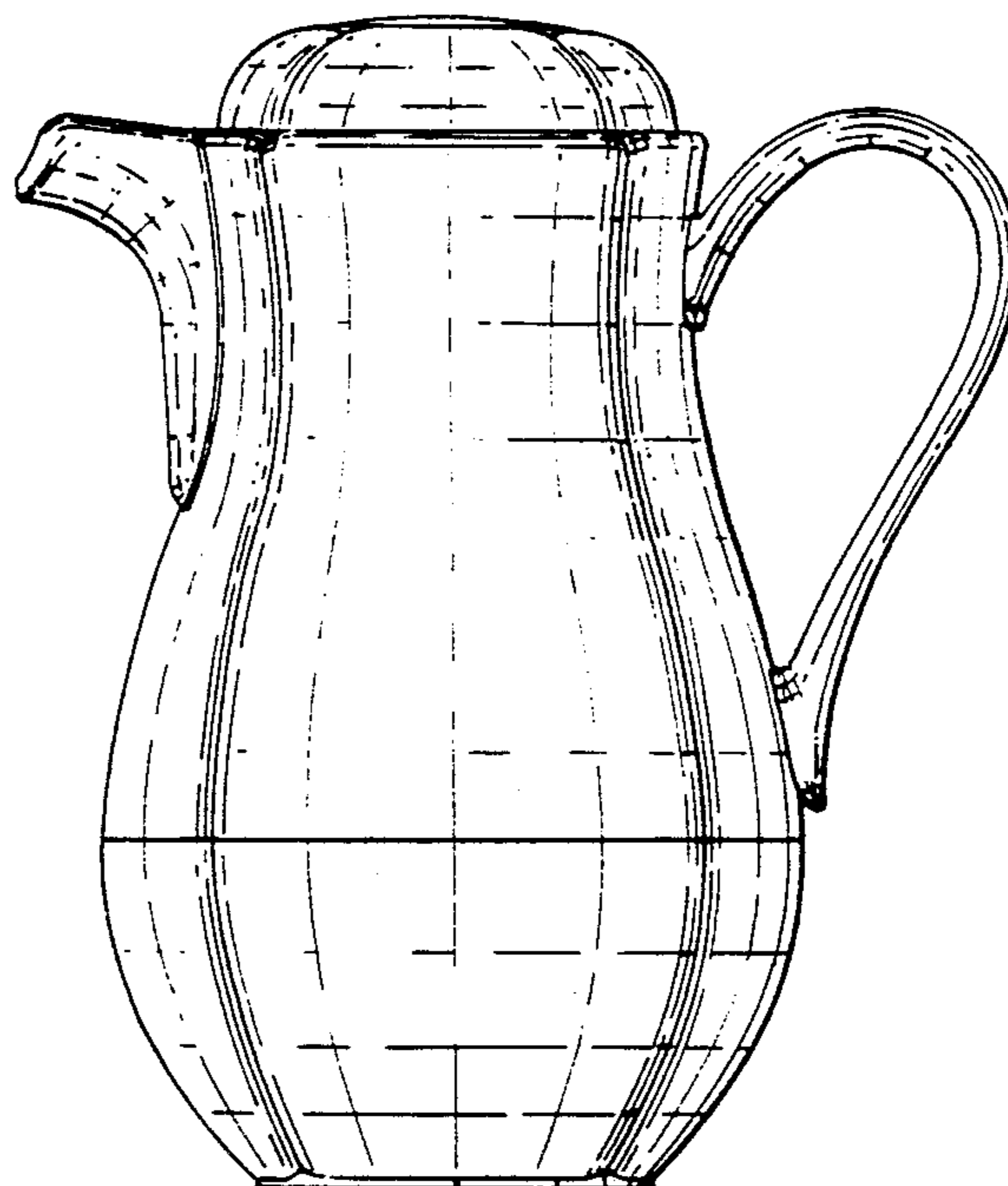
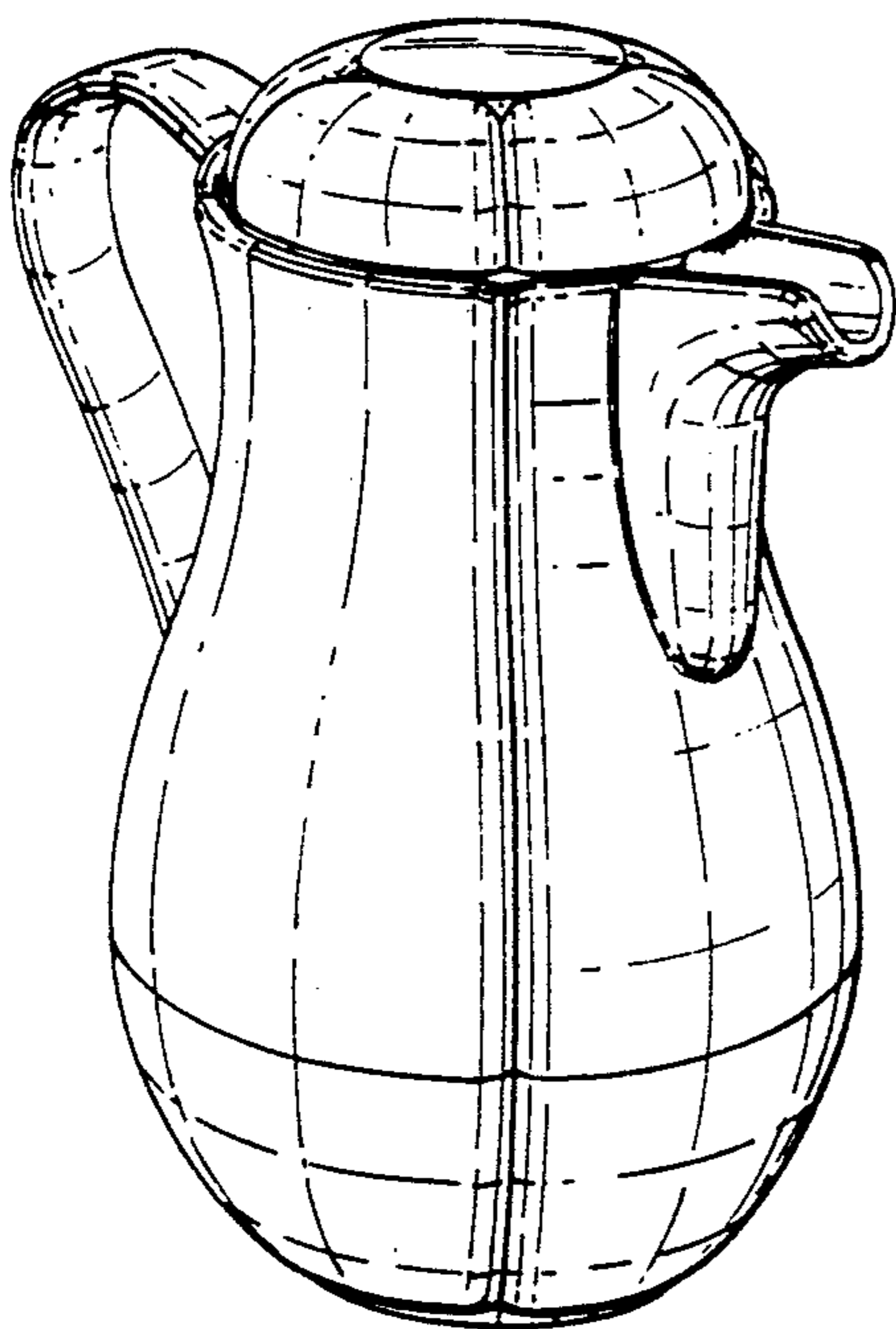
Primary Examiner—Winifred E. Herrmann
Attorney, Agent, or Firm—Kelly Bauersfeld & Lowry

[57] **CLAIM**

The ornamental design for a beverage pot, as shown and described.

DESCRIPTION

FIG. 1 is a top, front, and left side perspective view of a beverage pot showing my new design; FIG. 2 is a rear elevational view thereof; FIG. 3 is a right side elevational view thereof; and FIG. 4 is a bottom plan view thereof.



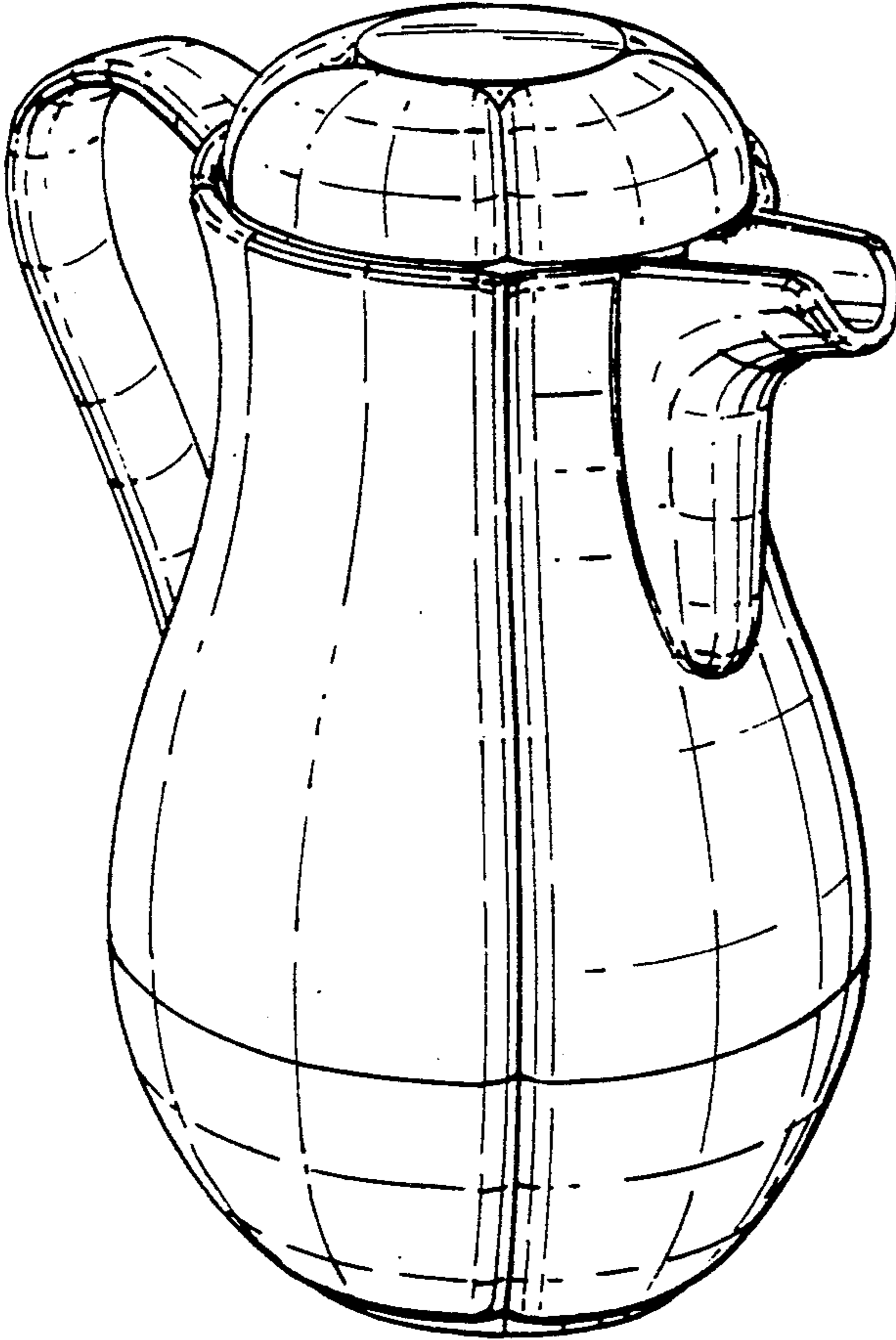


Fig. 1.

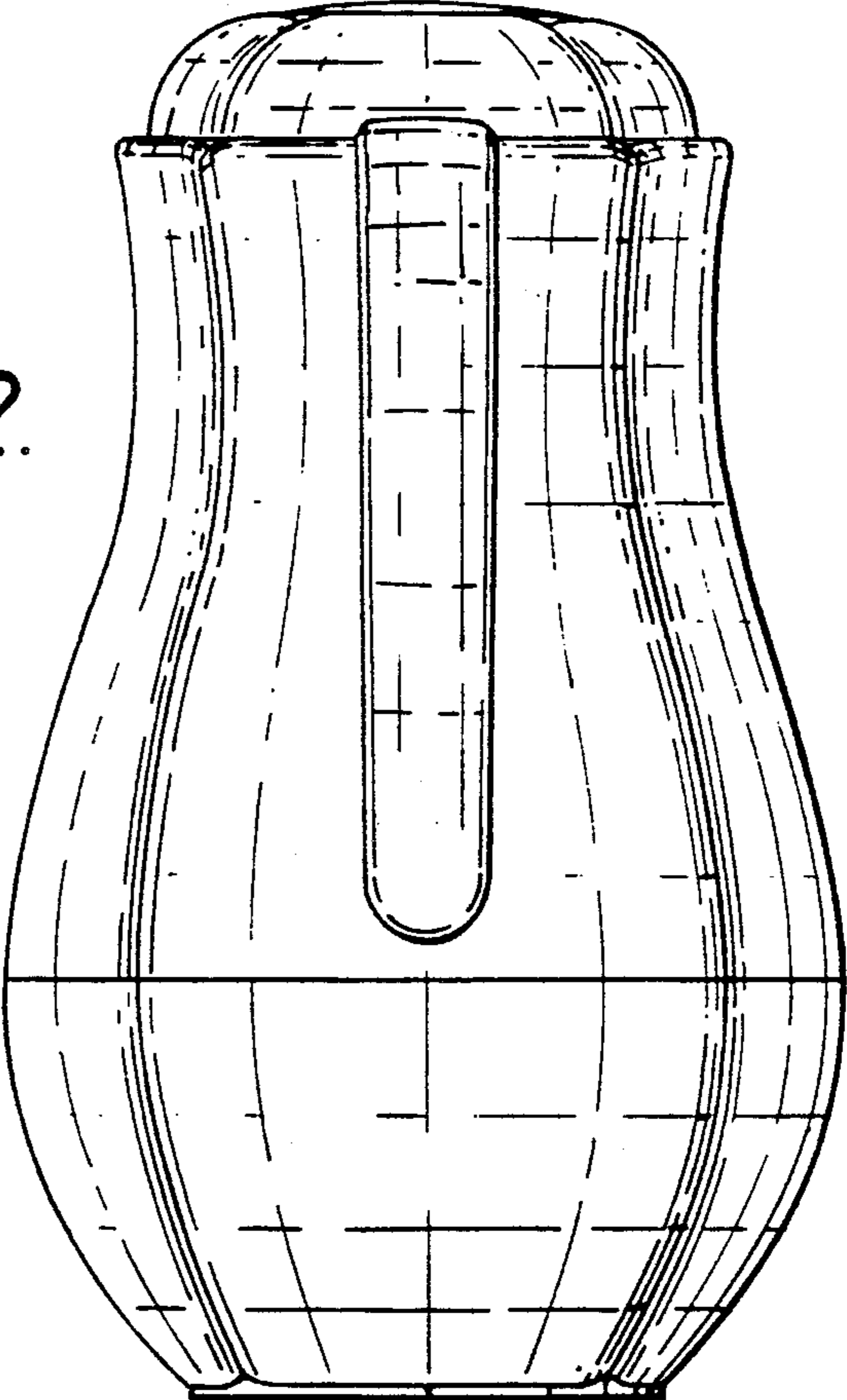


Fig. 2.

Fig.3.

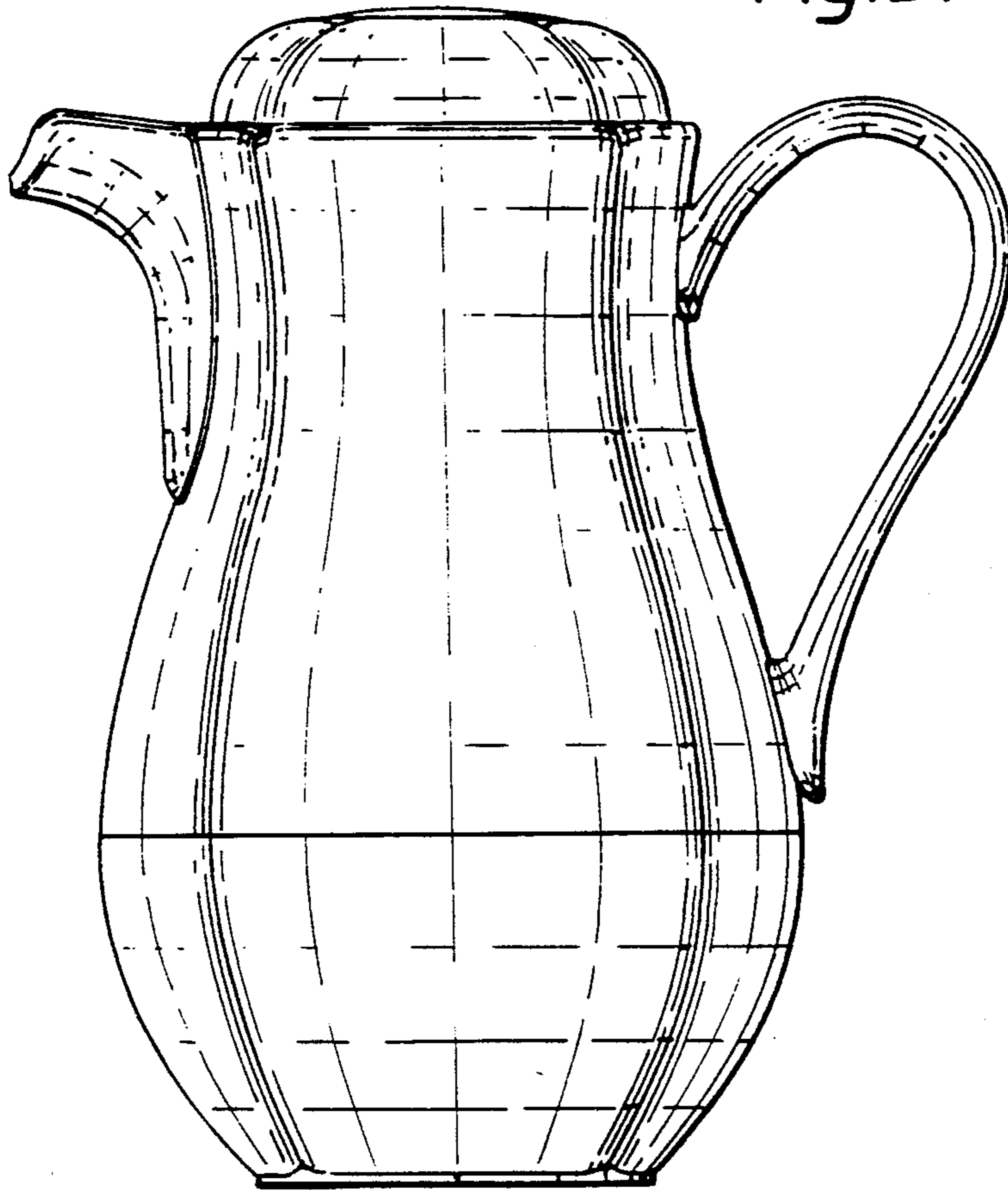


Fig.4.

