

[54] MULTIPURPOSE WALL-MOUNTABLE CADDY

[75] Inventor: William W. Emery, Berkeley Heights, N.J.

[73] Assignee: Better Sleep Manufacturing Co., Berkeley Heights, N.J.

[**] Term: 14 Years

[21] Appl. No.: 431,976

[22] Filed: Nov. 6, 1989

[52] U.S. Cl. D6/566; D6/567

[58] Field of Search D6/512, 524-525, D6/527, 552-553, 566-567, 574; D7/631; 211/10-13, 42, 44, 60.1, 86-88, 90, 106, 126, 134, 181; 248/175, 44.1, 905, 907

[56] References Cited

U.S. PATENT DOCUMENTS

D. 191,484	10/1961	Bardo et al.	D6/566
D. 197,871	3/1964	Crisp	D6/566
D. 214,219	5/1969	Swartz	D6/566
2,946,458	7/1960	Boff et al.	211/88

3,011,649	12/1961	Porter	D6/517 X
3,905,600	9/1975	Bourdamis	220/491 X
4,040,522	8/1977	Vickery	D6/573 X
4,117,936	10/1978	Dawson	211/181 X
4,146,138	3/1979	Davis	211/106 X
4,267,997	5/1981	Meier	220/491
4,428,488	1/1984	McAvinn et al.	211/86 X

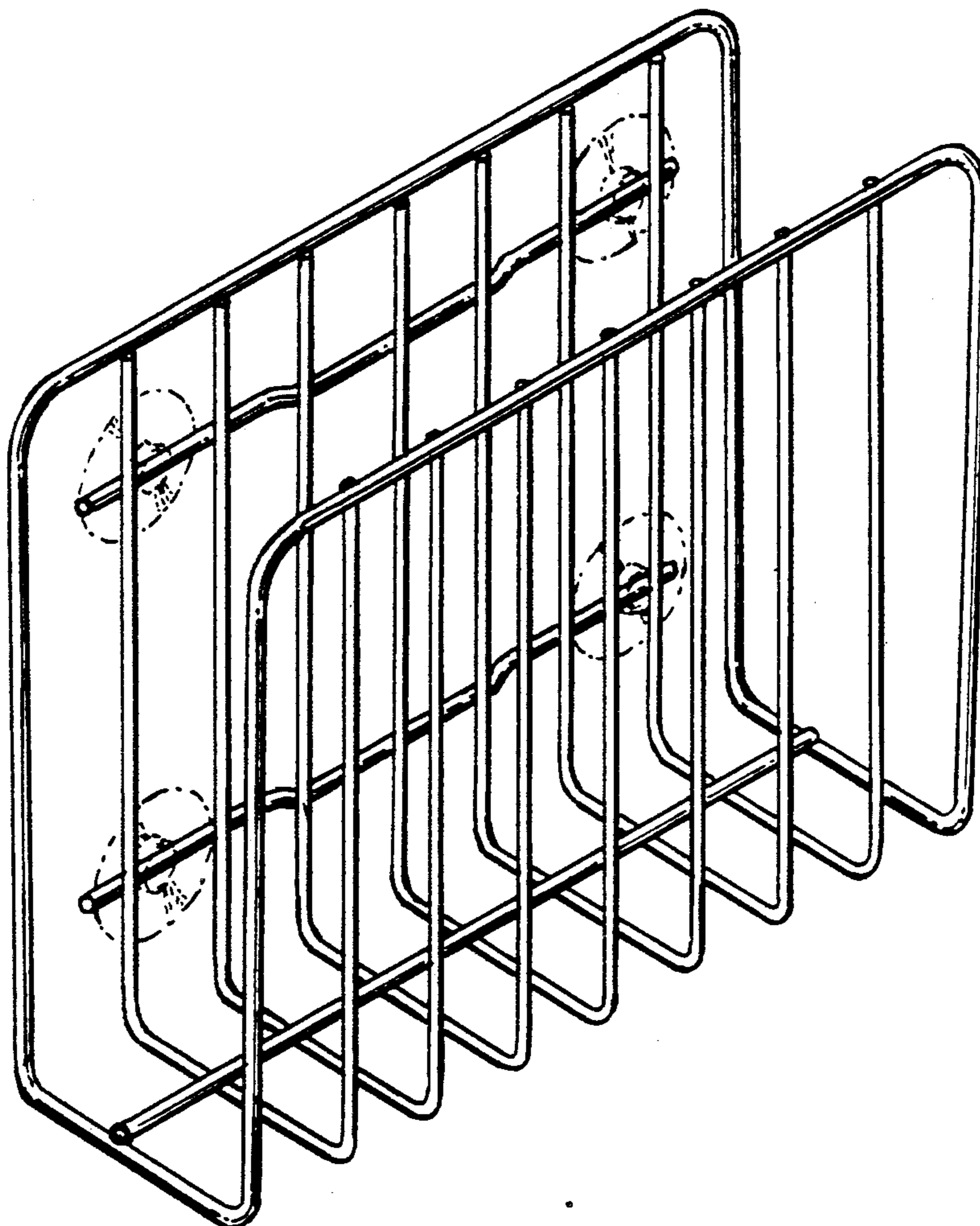
Primary Examiner—Brian N. Vinson
Attorney, Agent, or Firm—Hopgood, Calimafde

[57] CLAIM

The ornamental design for a multipurpose wall-mountable caddy, as shown.

DESCRIPTION

FIG. 1 is a top, front, and left side perspective view of a multipurpose wall-mountable caddy showing my new design, the broken-line depiction of suction-cup mounting means being for illustrative purposes only and forming no part of the claimed design;
FIG. 2 is a top plan view thereof;
FIG. 3 is a front elevational view thereof;
FIG. 4 is a right side elevational view thereof;
FIG. 5 is a rear elevational view thereof; and
FIG. 6 is a bottom plan view thereof.



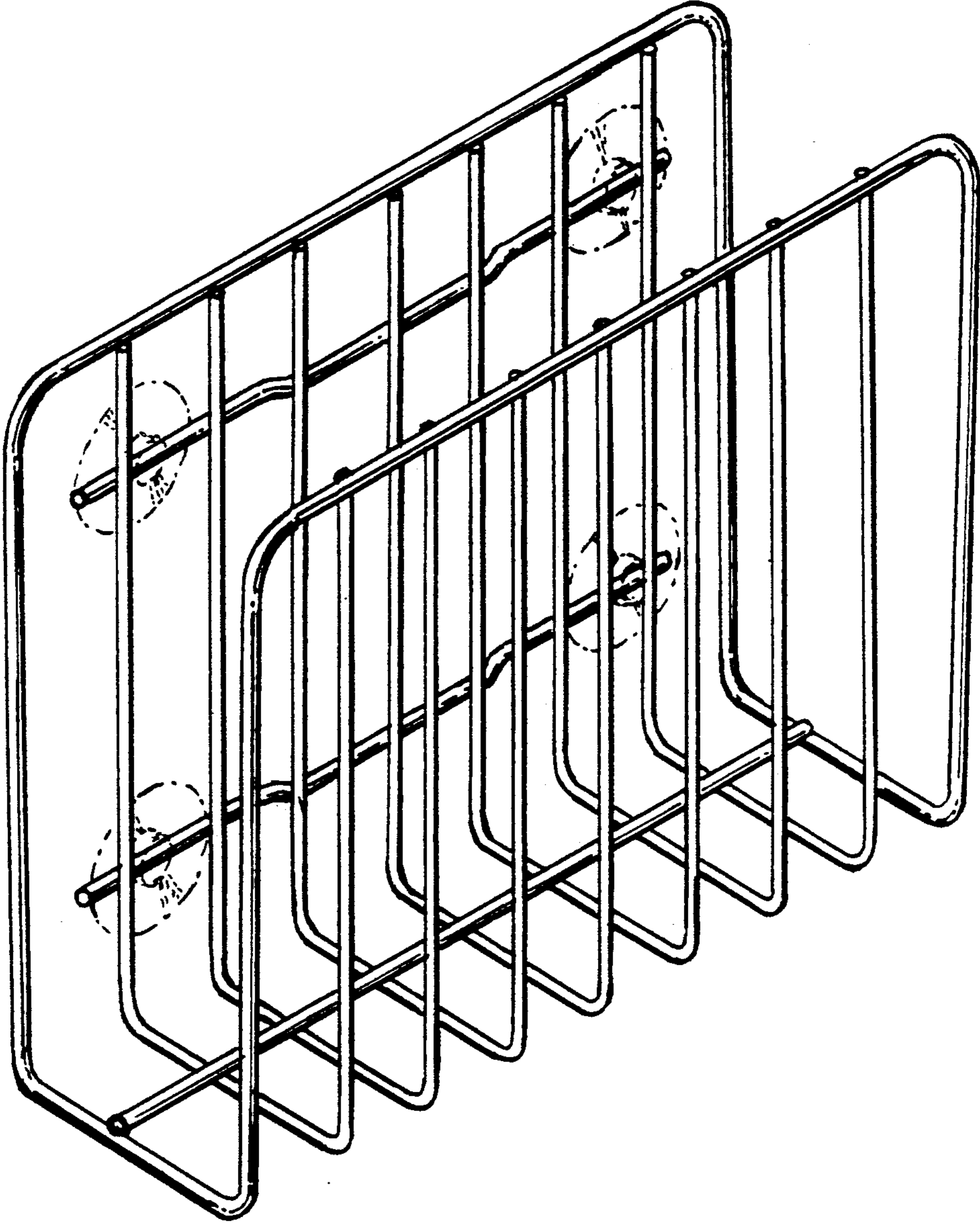


FIG. 1

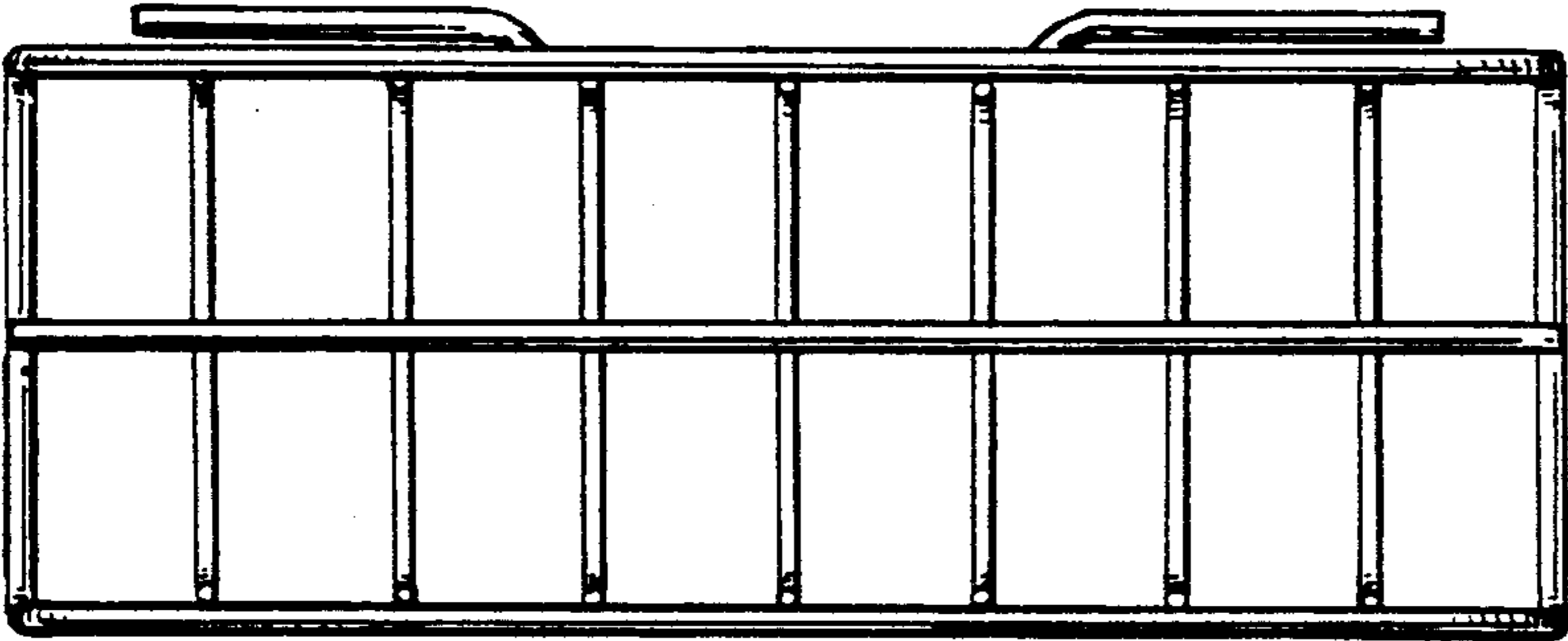


FIG. 2

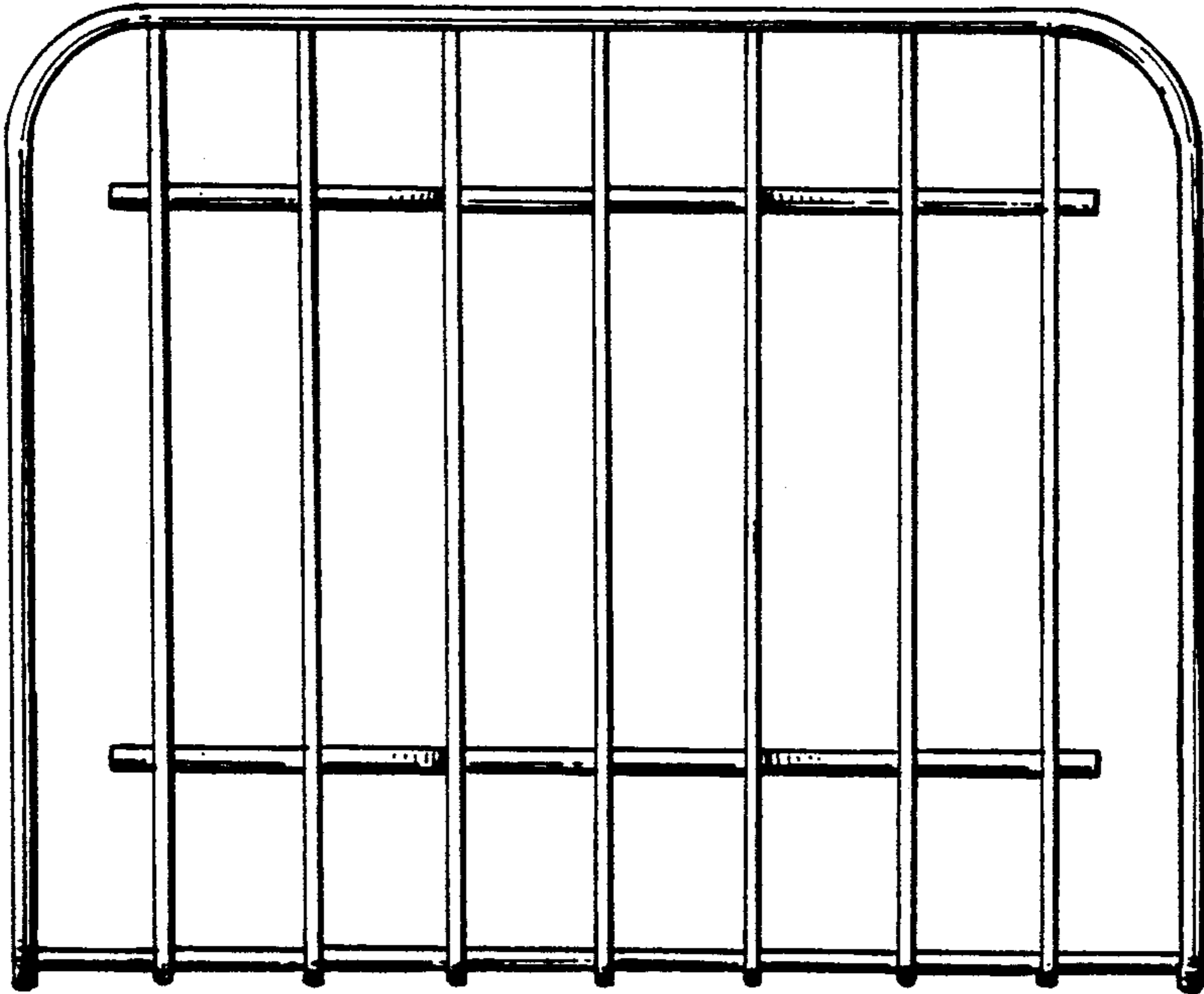


FIG. 3

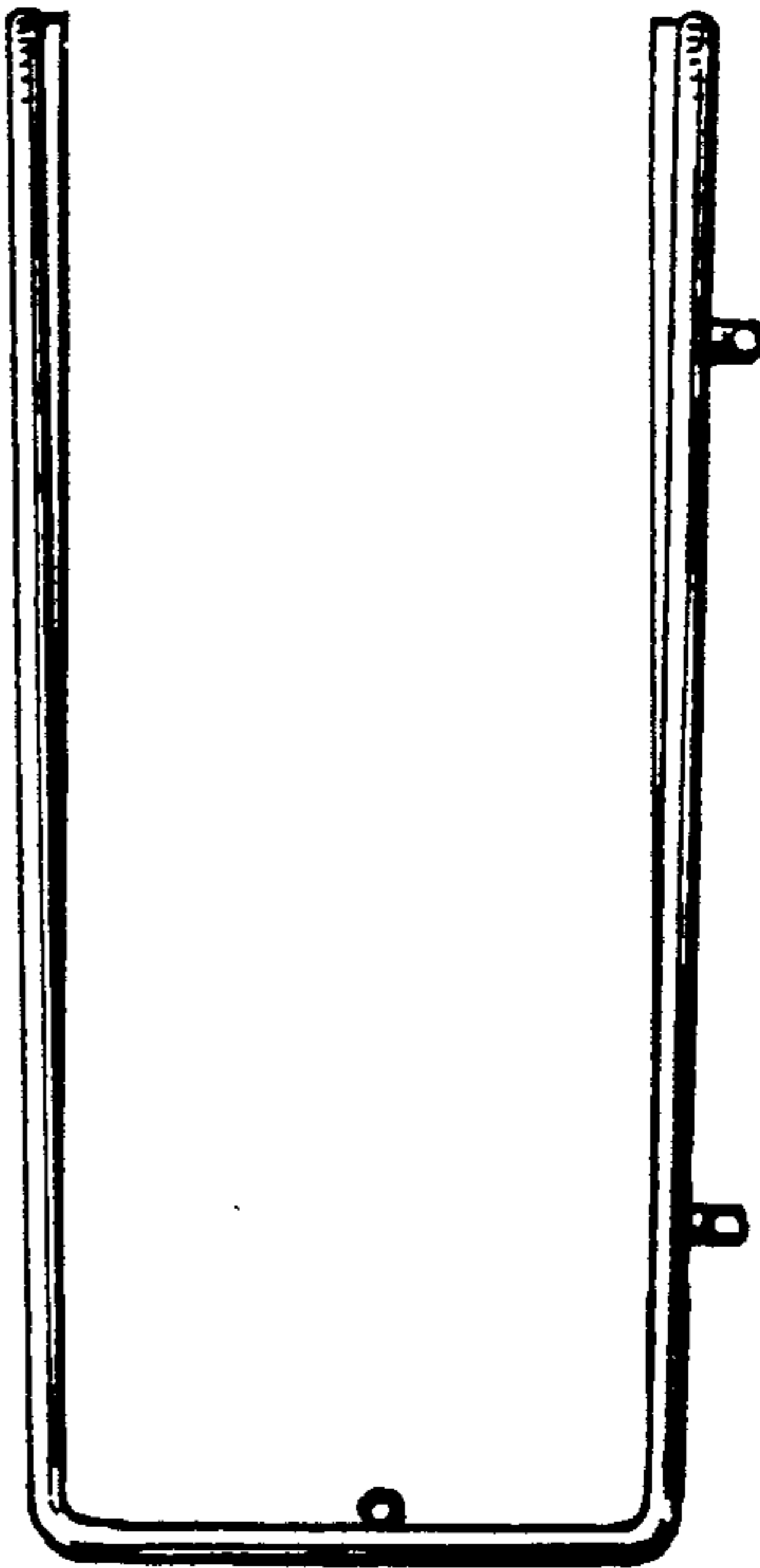


FIG. 4

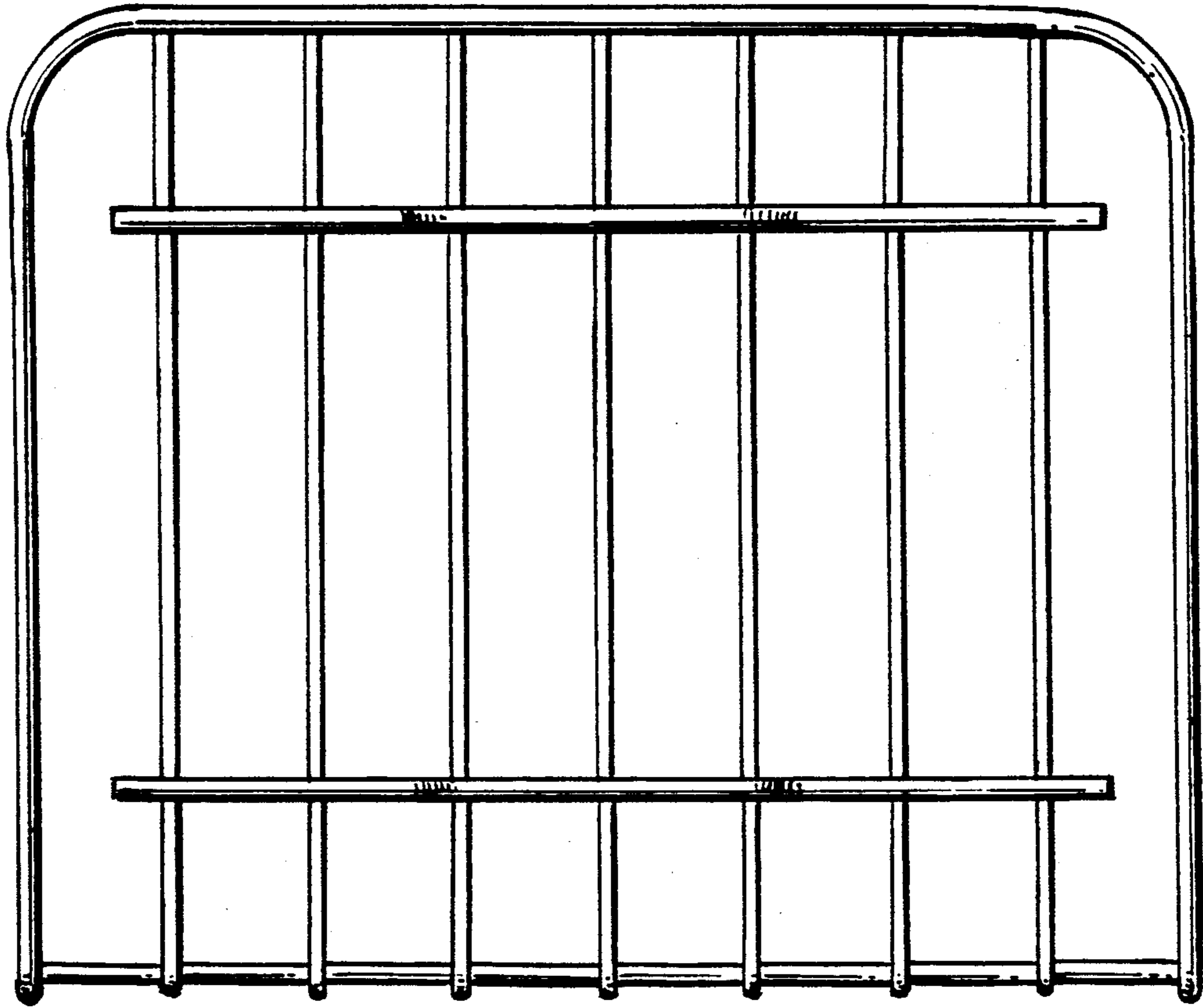


FIG. 5

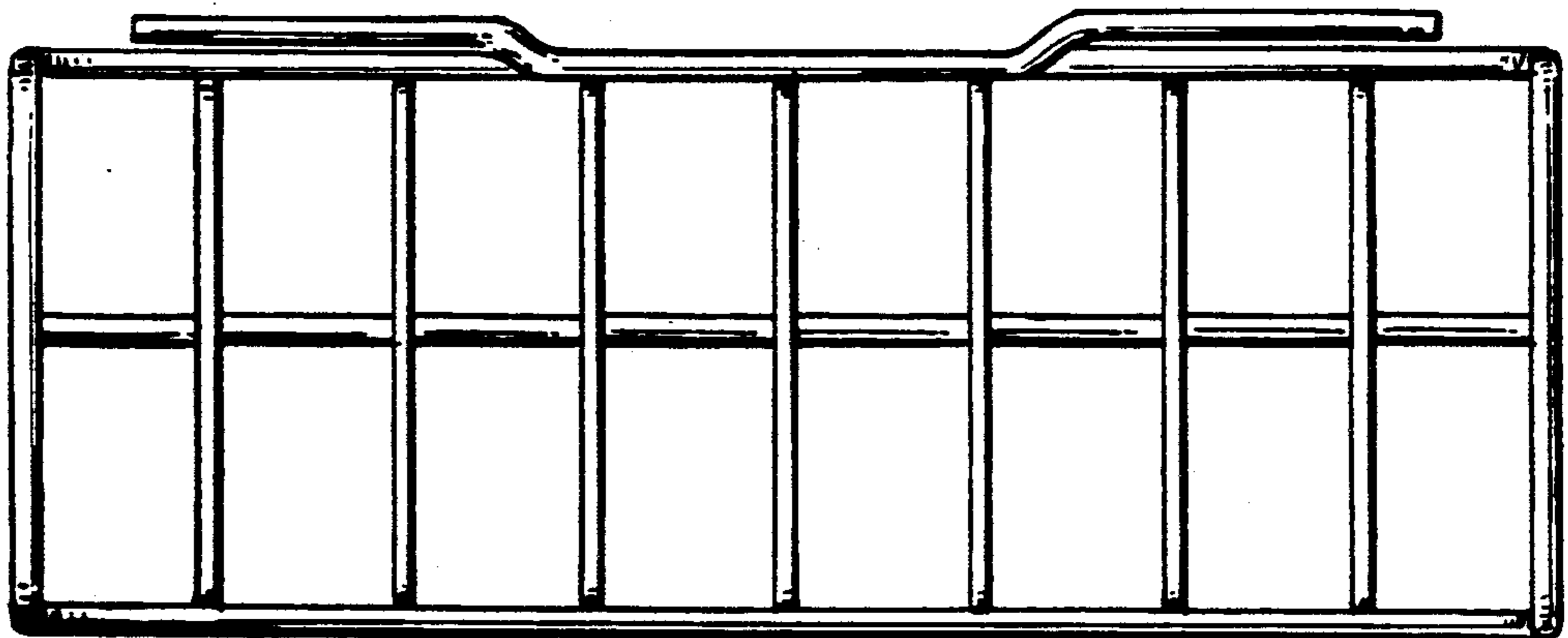


FIG. 6