

[54] **SIDE TABLE**

[75] **Inventor: James Rosen, Los Angeles, Calif.**

[73] **Assignee: The Pace Collection, Inc., Long Island City, N.Y.**

[**] **Term: 14 Years**

[21] **Appl. No.: 316,674**

[22] **Filed: Feb. 28, 1989**

[52] **U.S. Cl. D6/487**

[58] **Field of Search D6/480, 482-489, D6/495-499, 429, 430; D30/101, 102, 104**

[56] **References Cited**

U.S. PATENT DOCUMENTS

D. 87,162	6/1932	Malik	D6/485 X
D. 125,589	3/1941	Little et al.	D6/487 X
D. 225,941	1/1973	Duern et al.	D6/485
D. 233,499	11/1974	Sakata	D6/488 X
D. 236,926	9/1975	Alexander	D6/485
D. 287,680	1/1987	Lonngren	D6/485
D. 289,476	4/1987	Holl	D6/486 X
D. 292,034	9/1987	Perkinson	D30/101
D. 303,052	8/1989	Rosen	D6/480
D. 309,999	8/1990	Miklos	D6/495

OTHER PUBLICATIONS

Interiors, Nov. 1984, p. 52, Table, bottom right.

Domus, 11-1975, p. 36, Table, top left.

D.I.A. catalog, p. 14, Table 445-1, center of page, in C-26 box, design L.b.

Primary Examiner—Nelson C. Holtje

Assistant Examiner—Janice E. Seeger

Attorney, Agent, or Firm—Darby & Darby

[57] **CLAIM**

The ornamental design for a side table, as shown and described.

DESCRIPTION

FIG. 1 is a top perspective view of a side table showing my new design;

FIG. 2 is a front elevational view thereof, the rear side being a mirror image of the front elevational view shown;

FIG. 3 is a right side elevational view thereof, the left side being a mirror image of the right side elevational view shown;

FIG. 4 is a top plan view thereof; and

FIG. 5 is a bottom plan view.

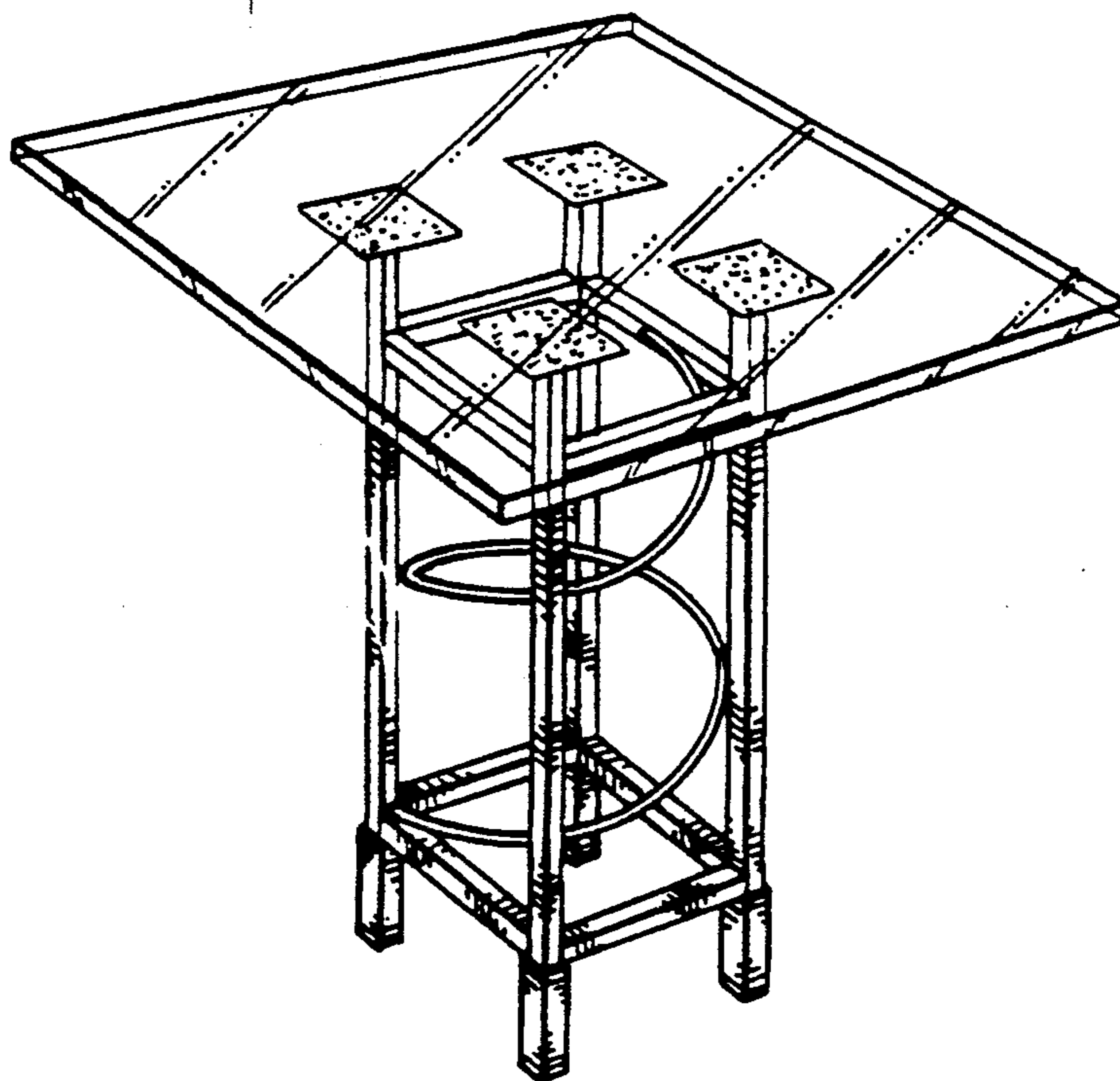


FIG. 1

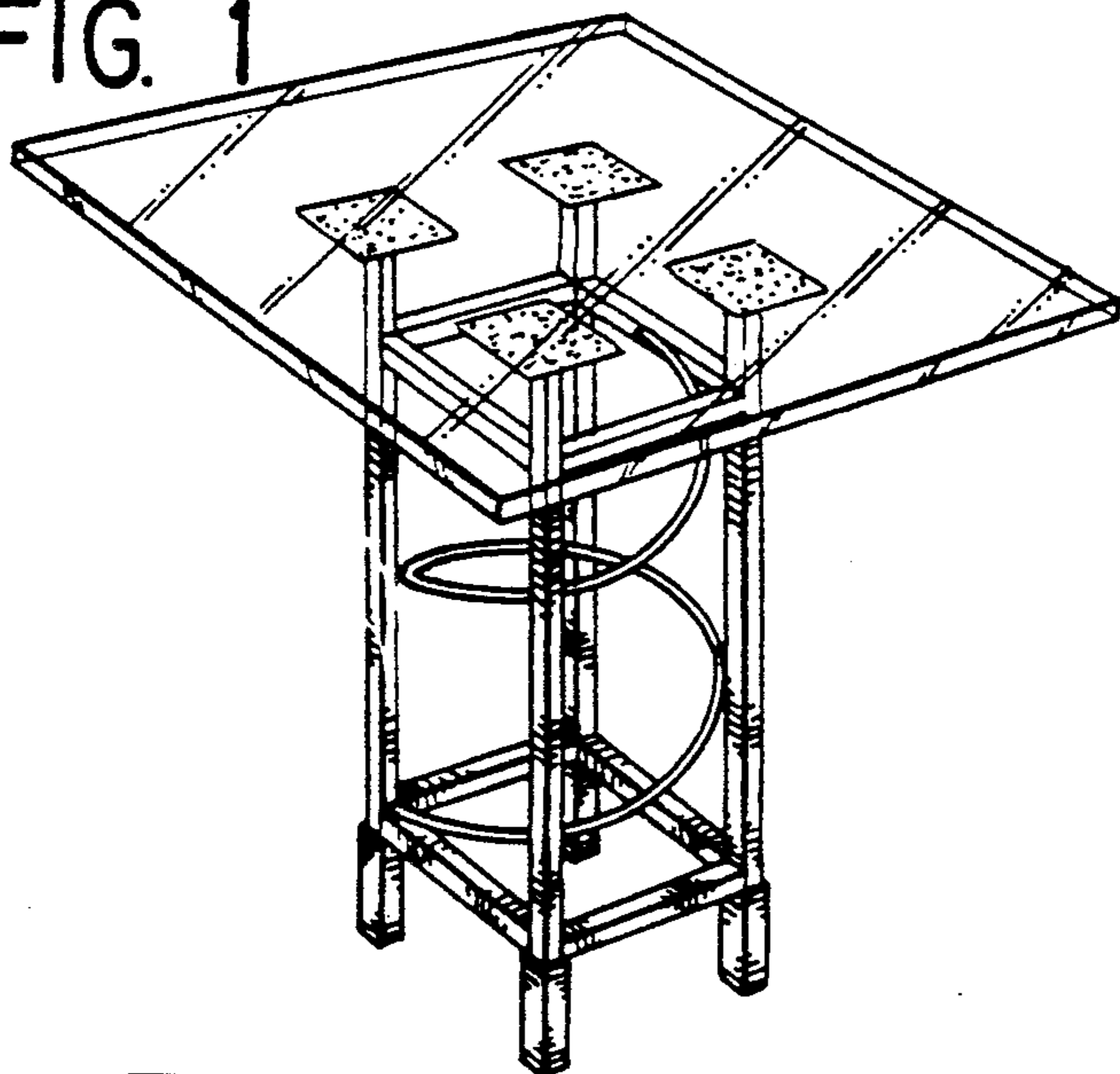


FIG. 2

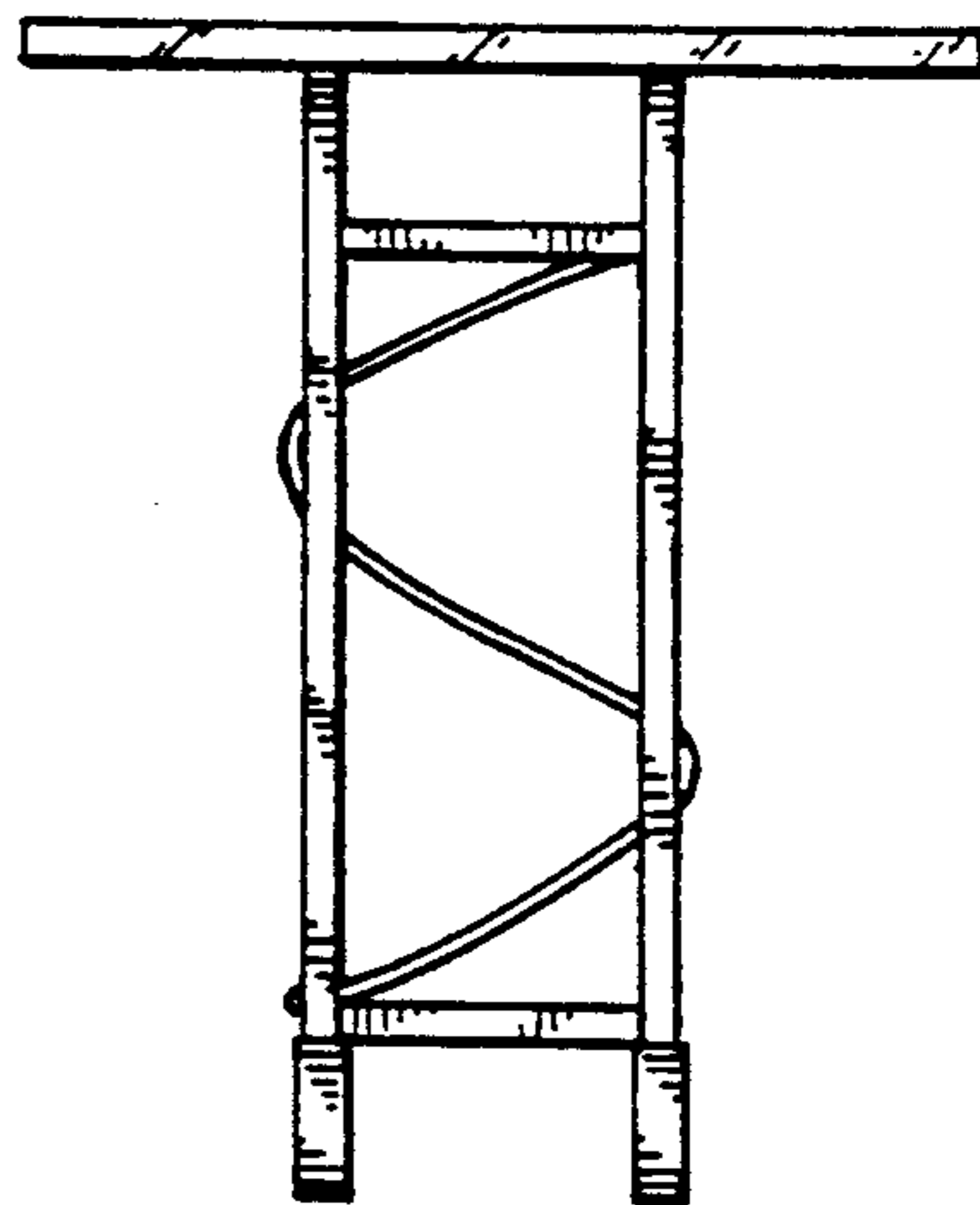


FIG. 4

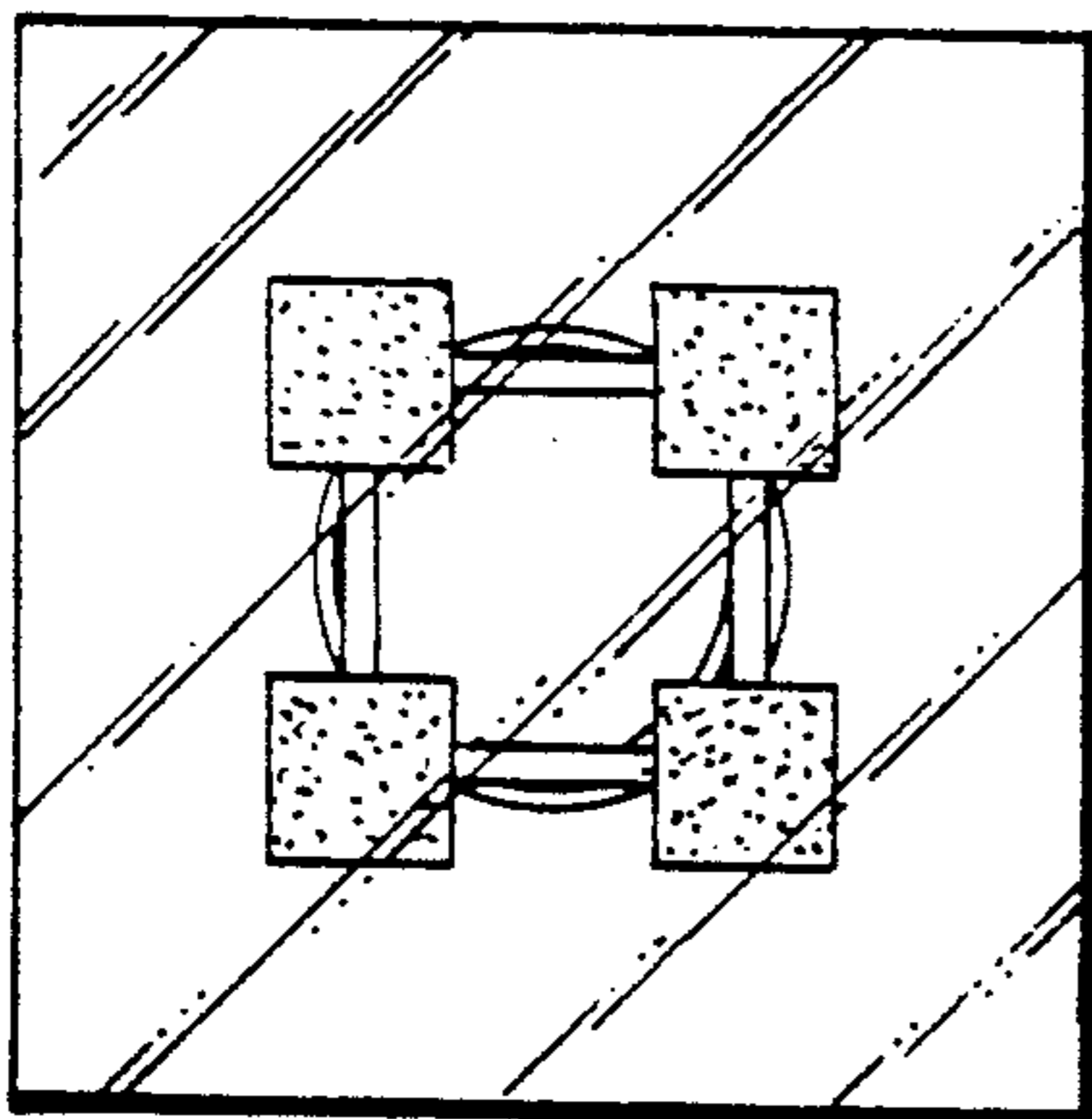


FIG. 5

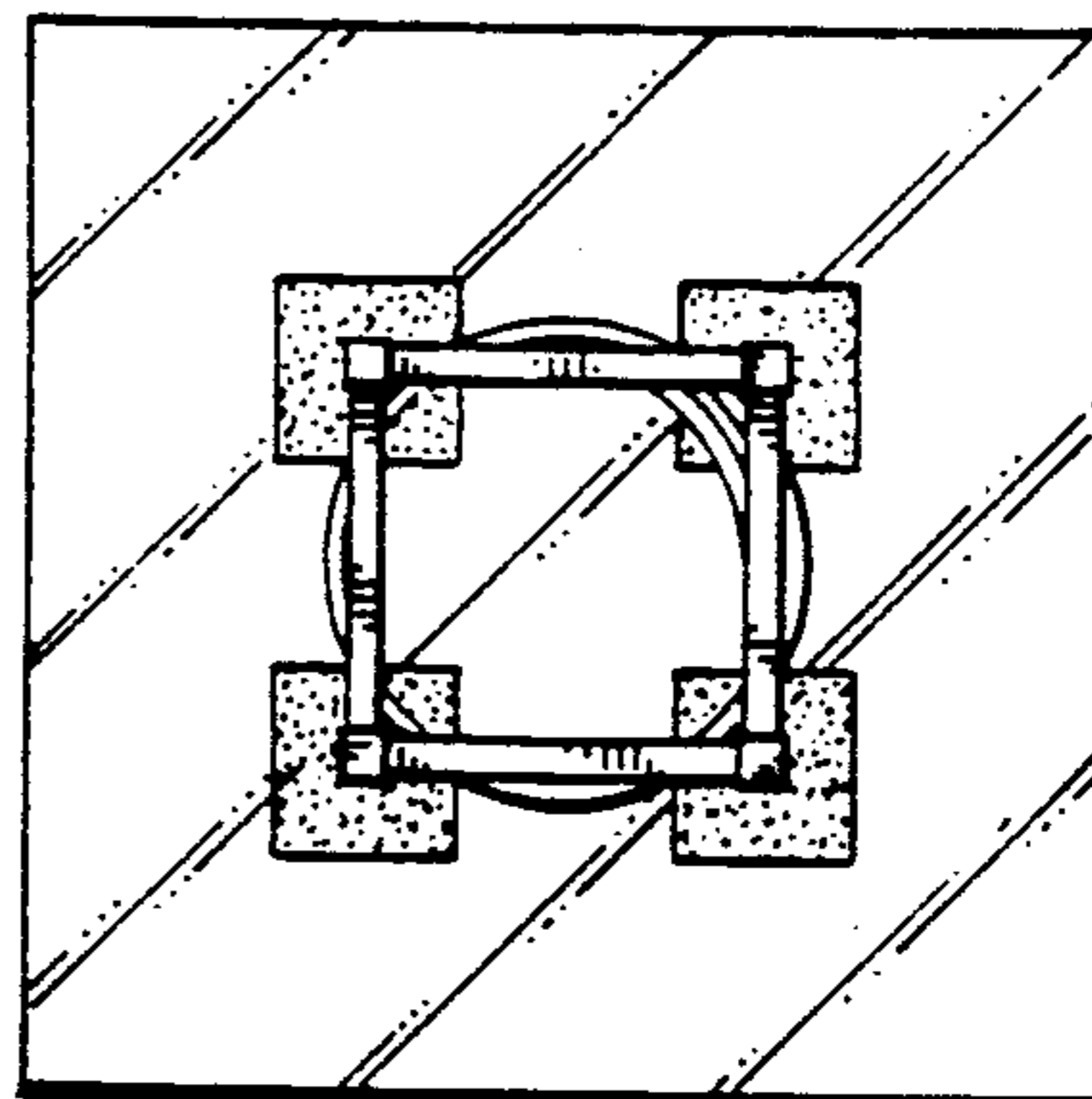


FIG. 3

