

United States Patent [19]

Georgopoulos

[11] Patent Number: **Des. 321,998**

[45] Date of Patent: **** Dec. 3, 1991**

[54] **SECURITY WORKSTATION ENCLOSURE**

[76] Inventor: **James E. Georgopoulos**, 83 Hanover St., Manchester, N.H. 03101

[**] Term: **14 Years**

[21] Appl. No.: **350,832**

[22] Filed: **May 11, 1989**

[52] U.S. Cl. **D6/433; D6/421**

[58] Field of Search **D6/432, 433, 443, 421; 312/297; D14/114**

[56] **References Cited**

U.S. PATENT DOCUMENTS

D. 217,088 4/1970 Gianfagna et al. D6/421
D. 220,767 5/1971 Power D6/421
D. 235,954 7/1975 Holland D6/421

D. 243,300 2/1977 Christensen D6/421
D. 276,578 12/1984 Kwiecinski D6/433 X

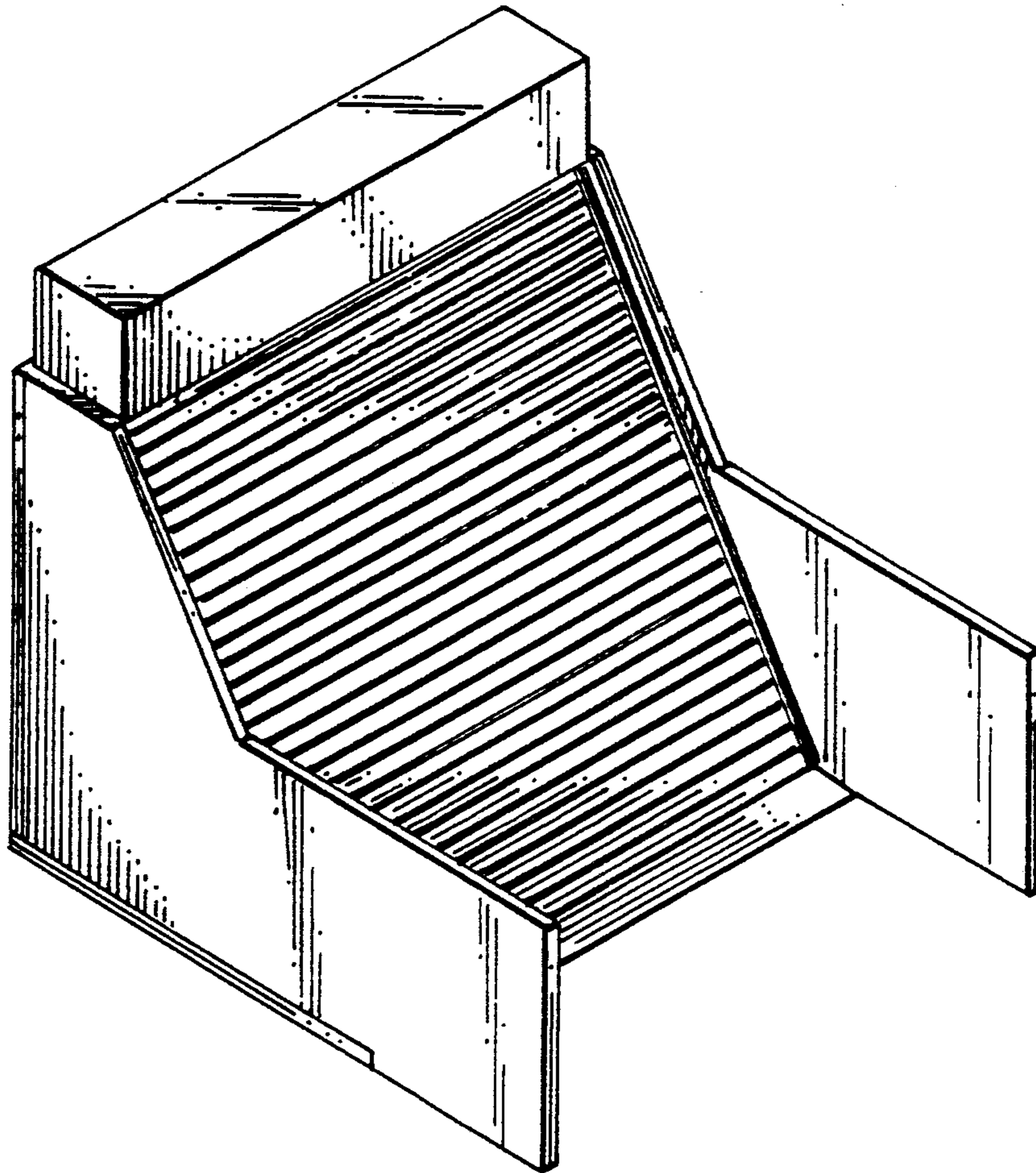
Primary Examiner—Carmen H. Vales-Lado
Attorney, Agent, or Firm—Davis, Bujold & Streck

[57] **CLAIM**

The ornamental design for a security workstation enclosure, as shown.

DESCRIPTION

FIG. 1 is a perspective view of a security workstation enclosure showing my new design; FIG. 2 is a front elevational view thereof; FIG. 3 is a left side elevational view thereof; FIG. 4 is a top plan view thereof; FIG. 5 is a rear elevational view thereof; and FIG. 6 is a bottom plan view thereof.



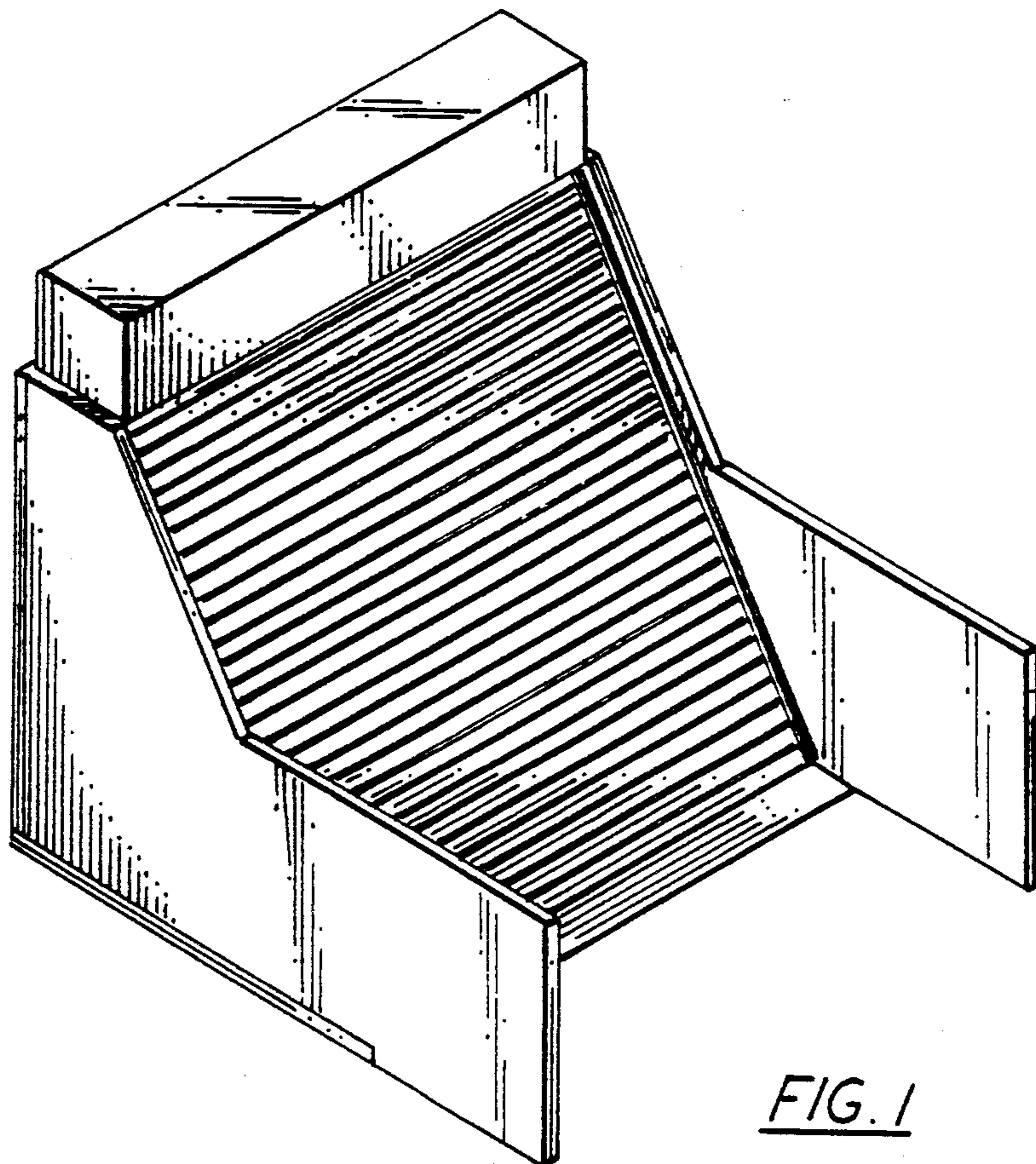


FIG. 1

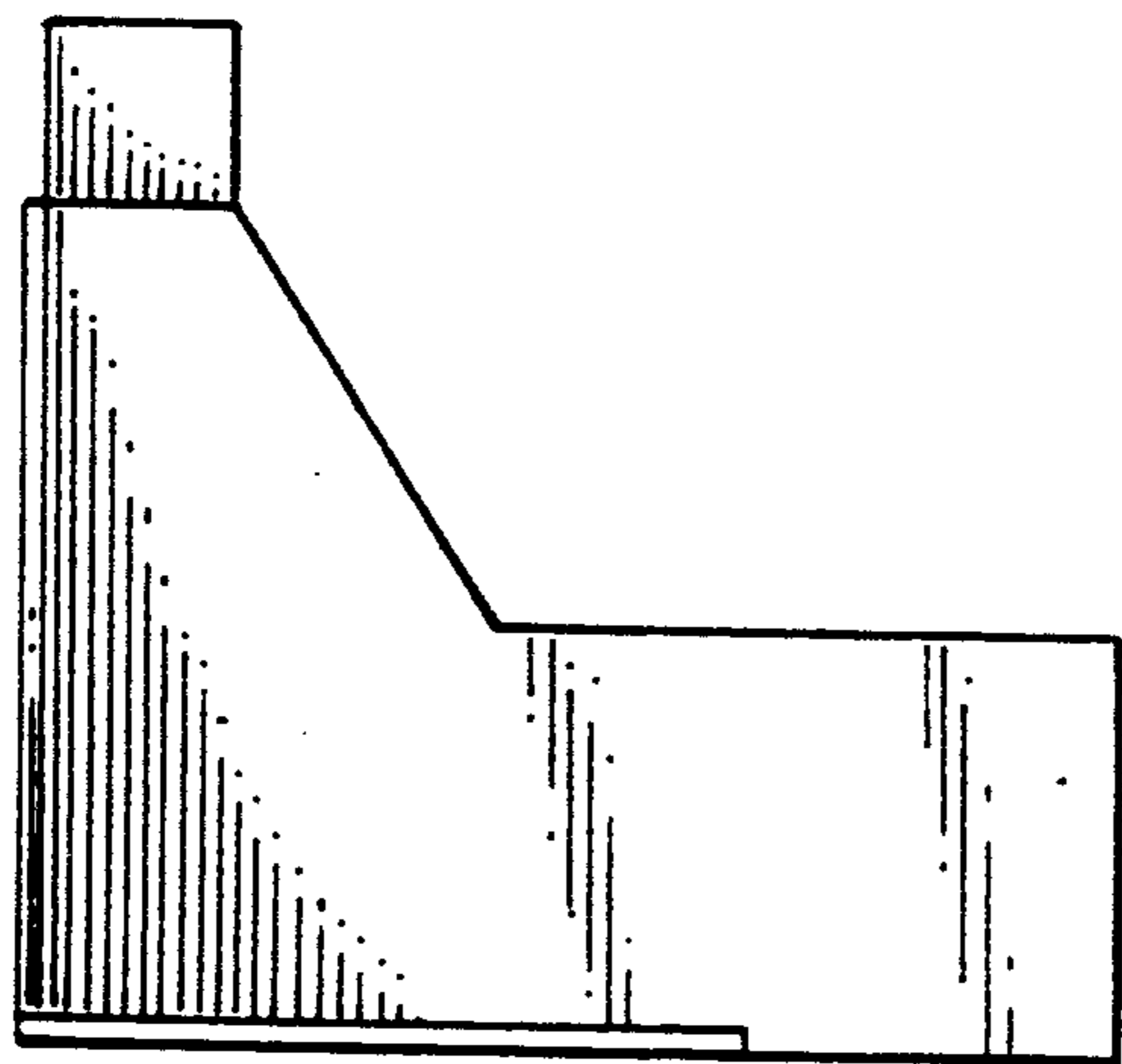


FIG. 3

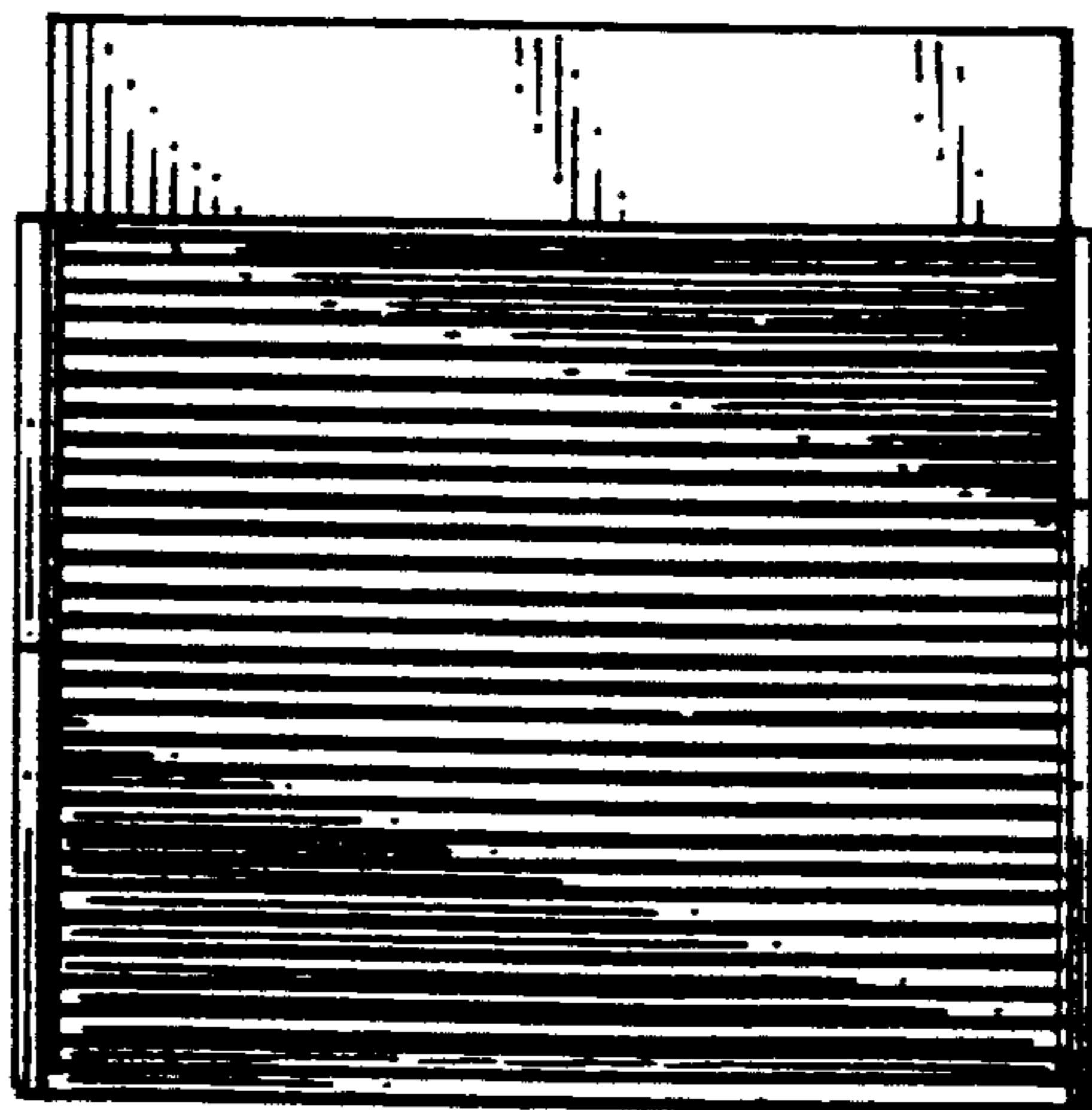


FIG. 2

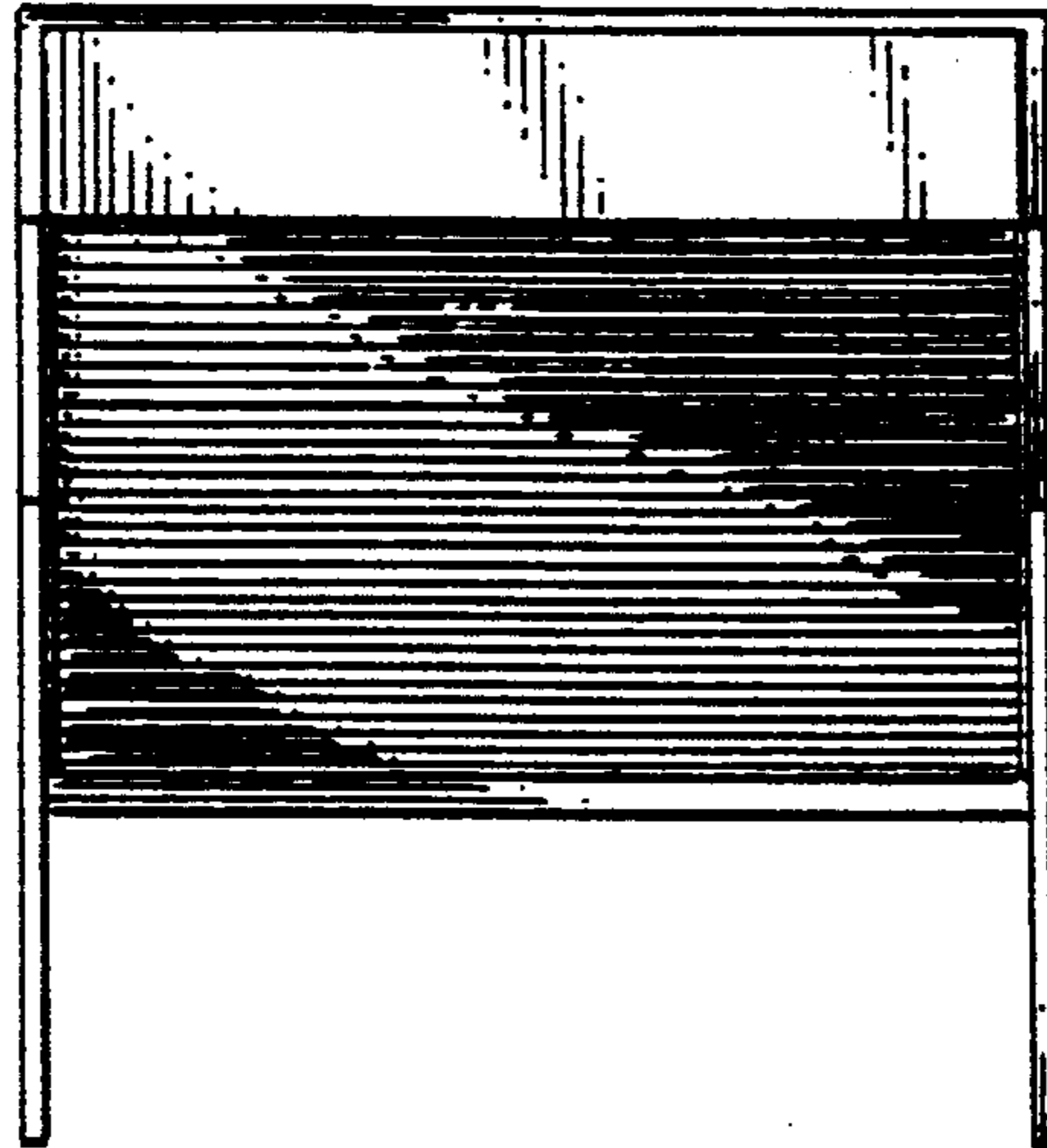


FIG. 4

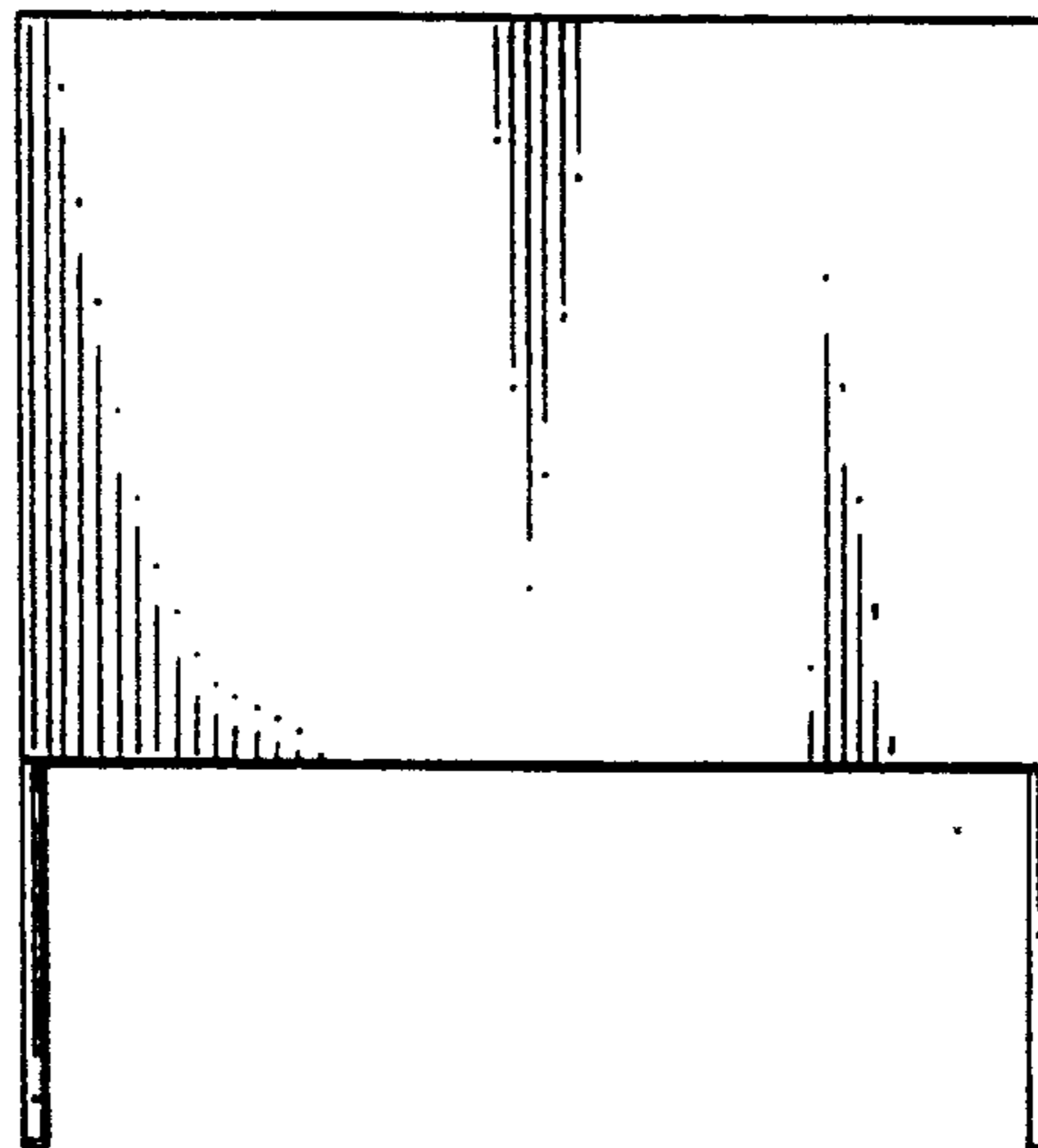


FIG. 6

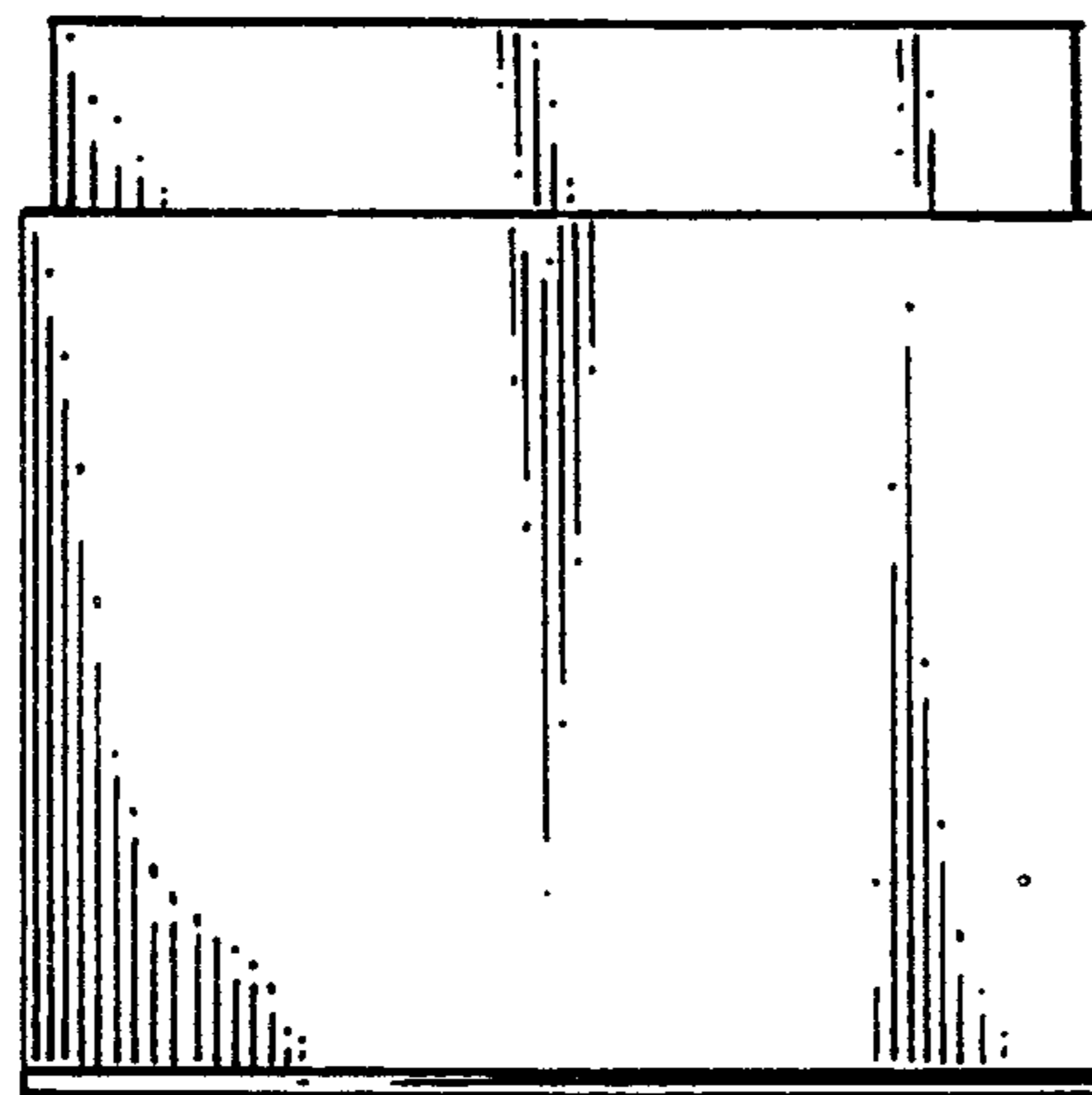


FIG. 5