

# United States Patent [19]

Saiger

[11] Patent Number: **Des. 321,995**

[45] Date of Patent: **\*\* Dec. 3, 1991**

[54] **CHAIR FRAME**

[75] Inventor: **Herbert C. Saiger, Troy, Ohio**

[73] Assignee: **Crown Leisure Products, Inc., Owosso, Mich.**

[\*\*] Term: **14 Years**

[21] Appl. No.: **243,644**

[22] Filed: **Sep. 9, 1988**

[52] U.S. Cl. .... **D6/379; D6/370; D6/376; D6/380; D6/500**

[58] Field of Search ..... **D6/334, 369, 370, 376, D6/379, 380, 500**

[56] **References Cited**

**U.S. PATENT DOCUMENTS**

D. 81,934	9/1930	Jones .....	D6/369
D. 182,844	5/1958	Monroe et al. ....	D6/376 X
D. 182,888	5/1958	Forbes .....	D6/369
D. 227,206	6/1973	Fisher .....	D6/379
D. 261,957	11/1981	Lübke .....	D6/379
D. 297,993	10/1988	Kaminski .....	D6/380 X
D. 298,090	10/1988	Kaminski .....	D6/380 X

2,882,958 4/1959 Monroe et al. .... D6/376 X

**OTHER PUBLICATIONS**

*Chairs & Couches*, by Curtis, ©1977, p. 9, Chair at top left.

*Bloomingtons*, Chair at bottom center.

*Brown Jordon*, ©1986, p. 5, Chair at top.

*Primary Examiner*—Bruce W. Dunkins

*Assistant Examiner*—Gary D. Watson

*Attorney, Agent, or Firm*—Learman & McCulloch

[57] **CLAIM**

The ornamental design for a chair frame, as shown and described.

**DESCRIPTION**

FIG. 1 is a rear perspective view of a chair frame showing my new design;

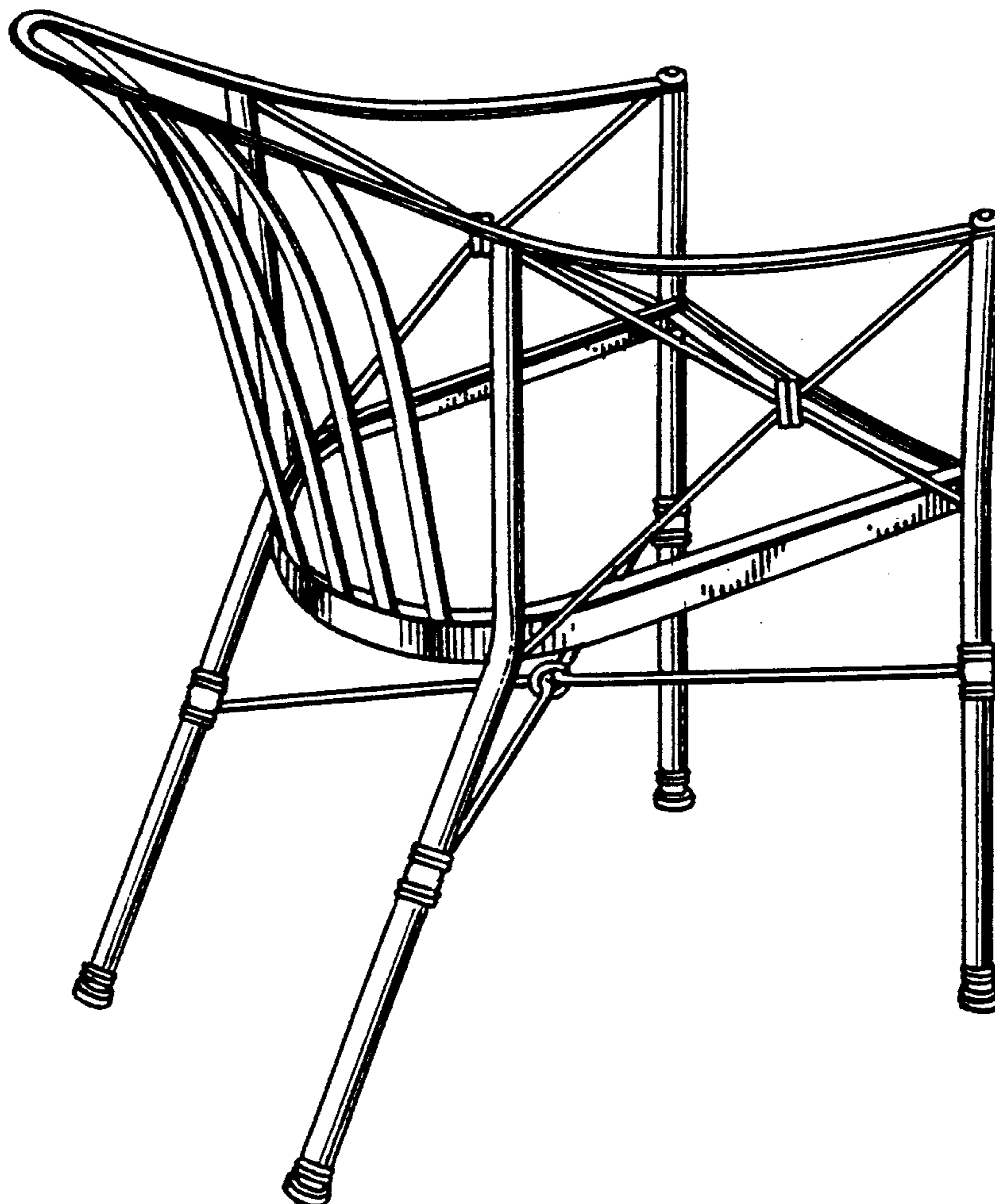
FIG. 2 is a side elevational view, the opposite side being a mirror image thereof;

FIG. 3 is a front elevational view;

FIG. 4 is a rear elevational view;

FIG. 5 is a top plan view; and

FIG. 6 is a bottom plan view thereof.



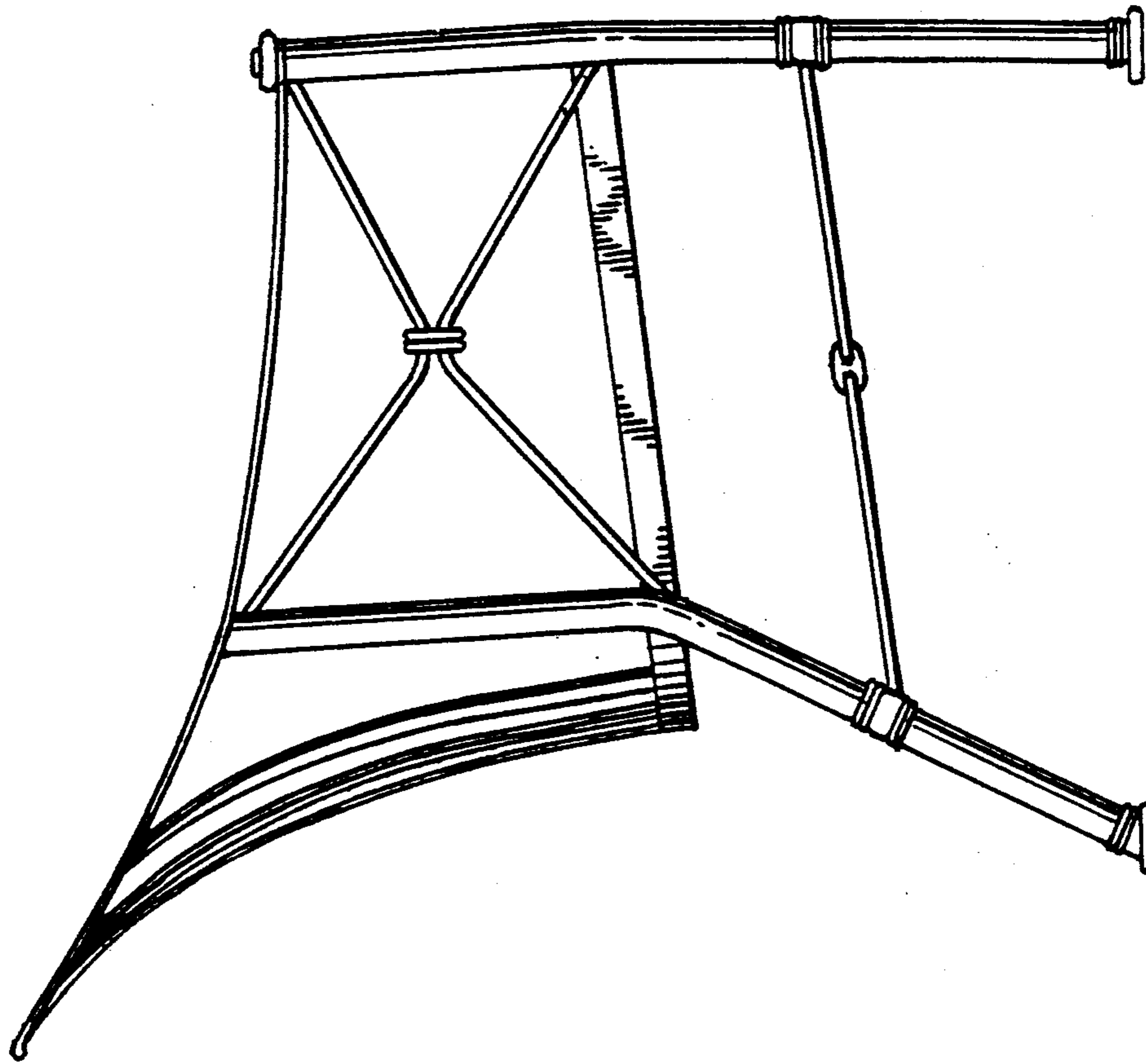


FIG. 2

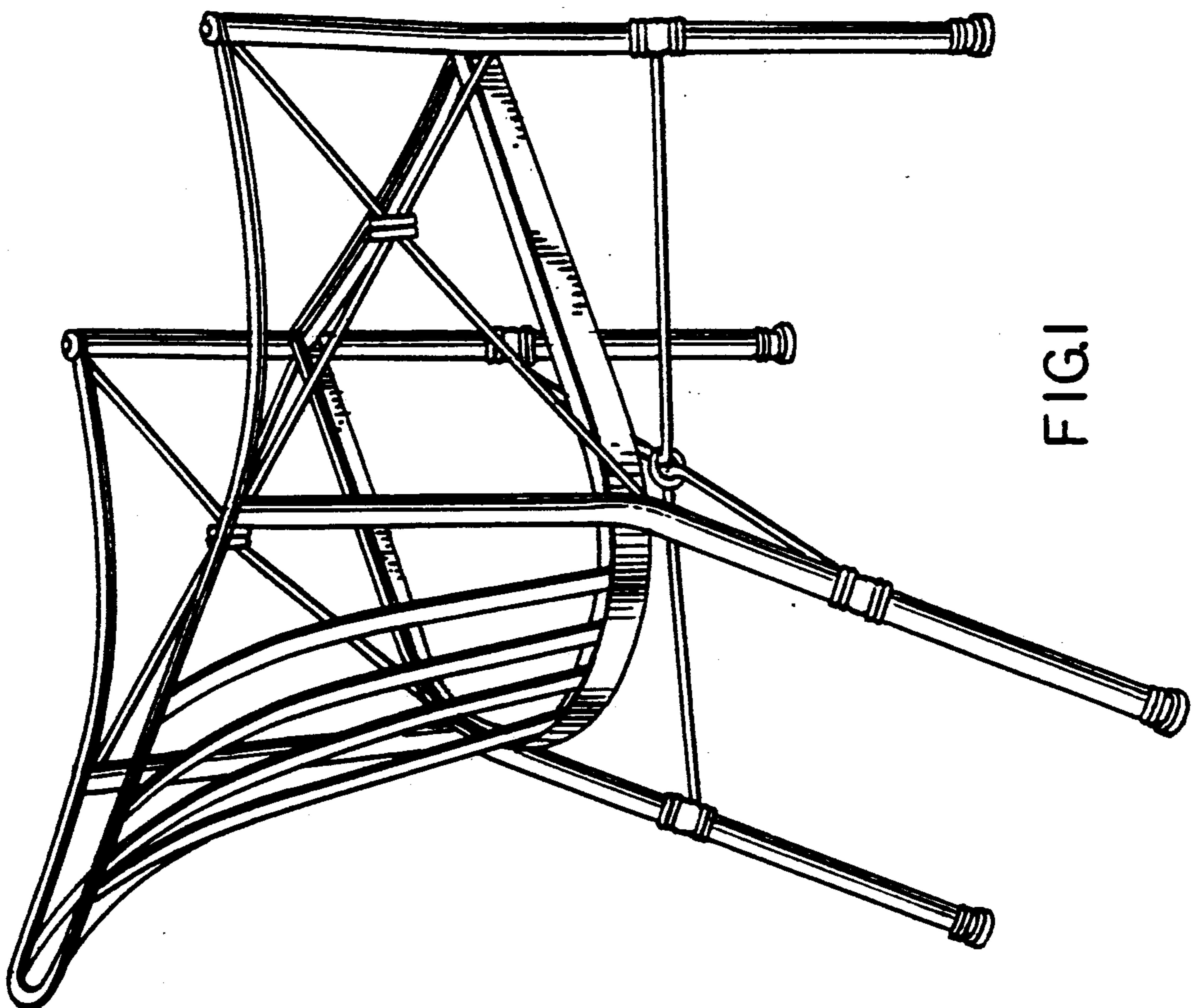


FIG. 1

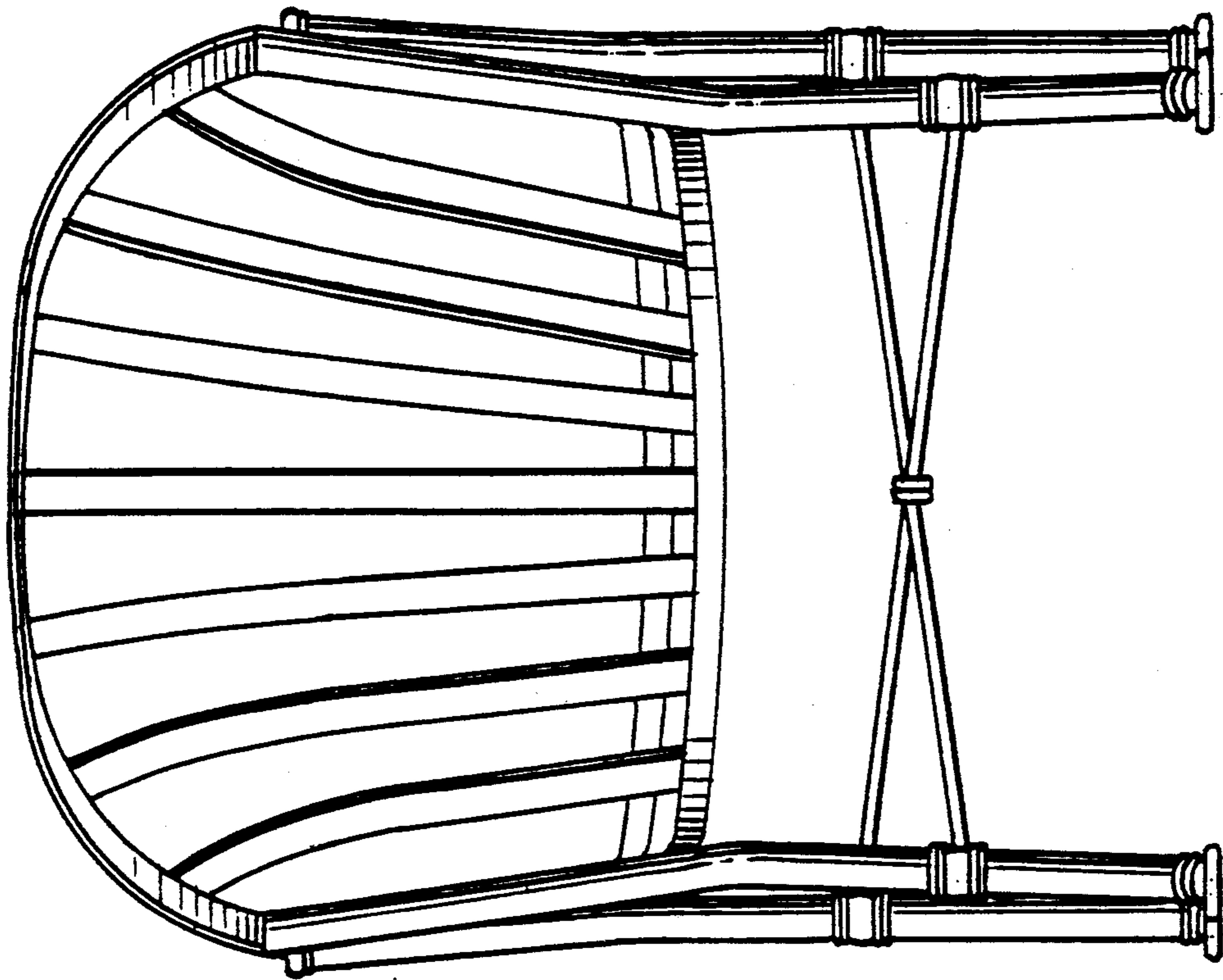


FIG.4

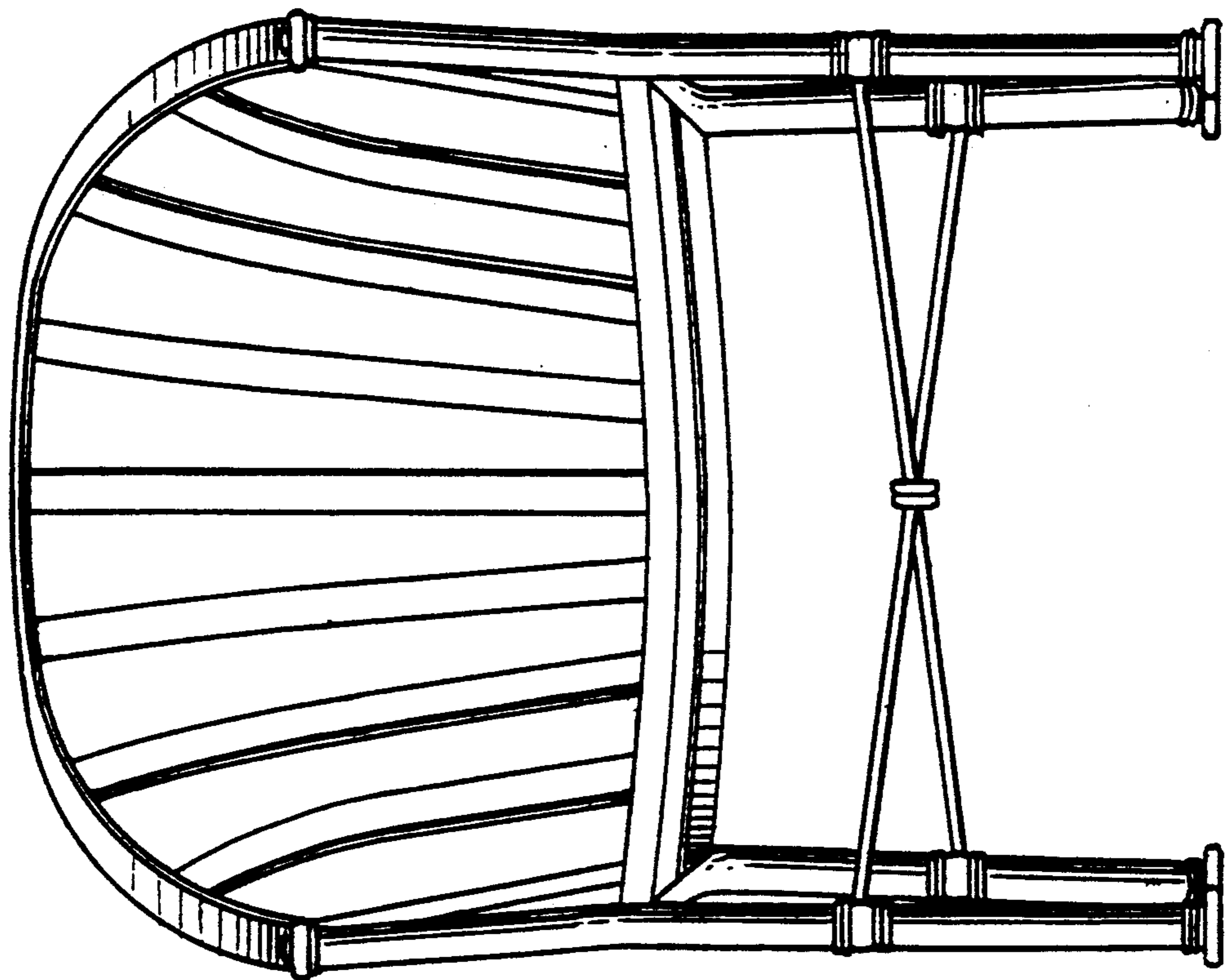


FIG.3

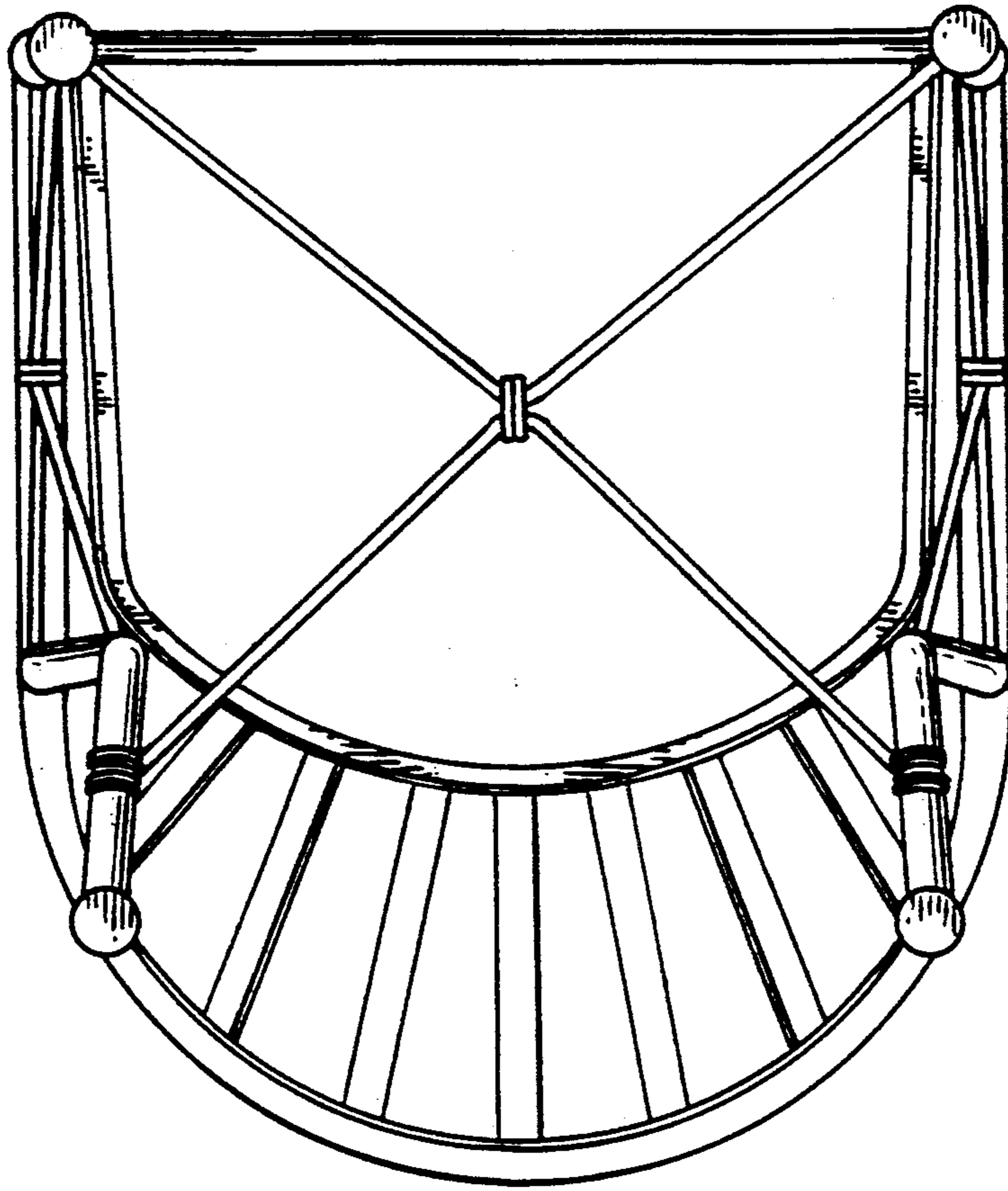


FIG.6

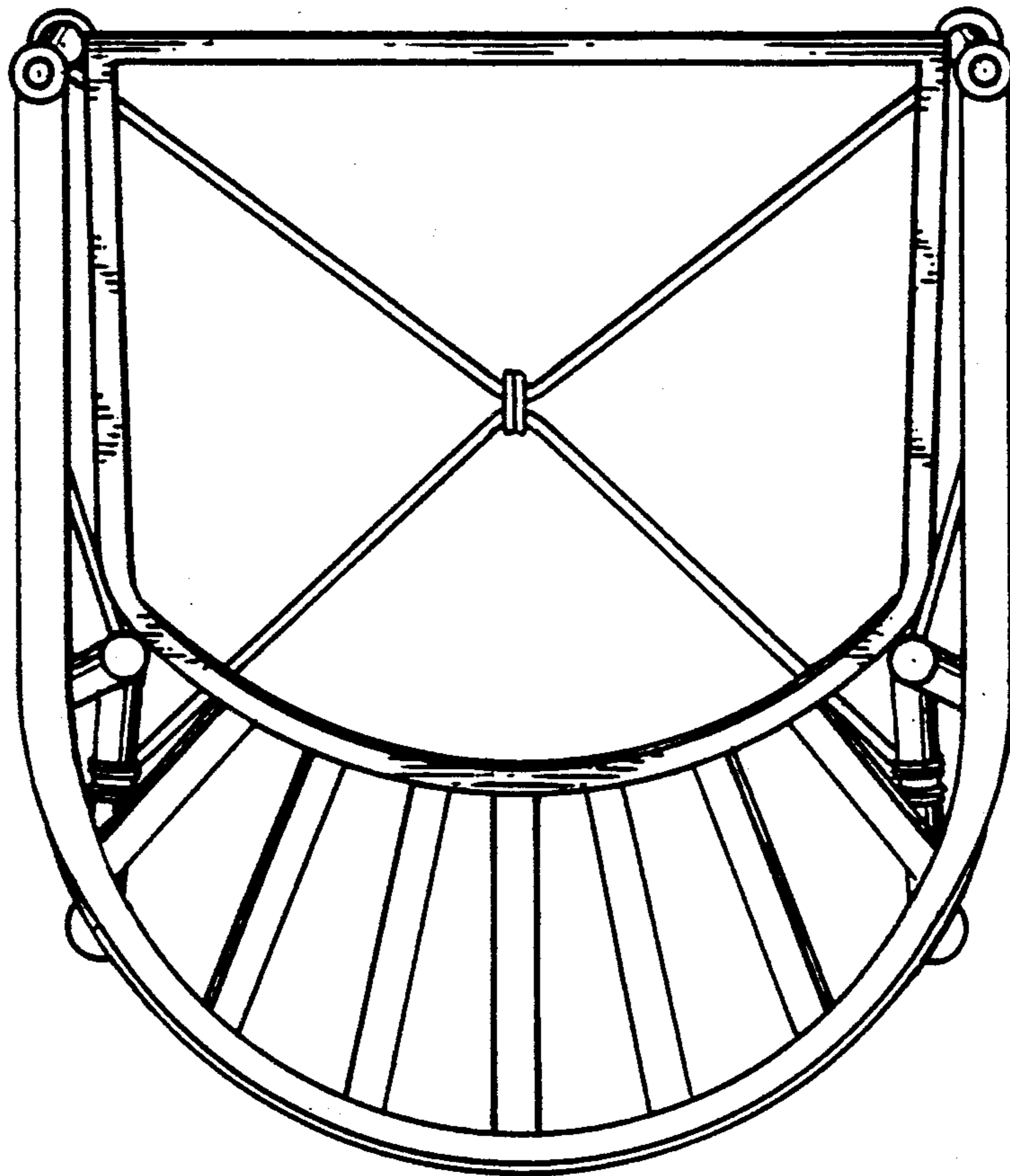


FIG.5