

United States Patent [19]

Menges, Sr. et al.

[11] Patent Number: **Des. 321,991**

[45] Date of Patent: **** Dec. 3, 1991**

[54] **COMBINED CUTTING BOARD AND SEAT**

[75] Inventors: **William H. Menges, Sr.; William H. Menges, Jr.**, both of Pt. Pleasant; **Douglas Finlay**, Brick Town, all of N.J.

[73] Assignee: **Fast Feat Bucket Board Co.**, Brielle, N.J.

[**] Term: **14 Years**

[21] Appl. No.: **211,848**

[22] Filed: **Jun. 27, 1988**

[52] U.S. Cl. **D6/335; D7/698**

[58] Field of Search **D6/334, 335, 340, 349, D6/406, 500, 501, 502; D7/543-545, 550, 554, 672, 673, 698, 699; D10/46.2, 46.3; 43/54.1, 55, 56; 269/16, 289 R, 302.1, 307; 297/105, 193; D22/136**

[56] **References Cited**

U.S. PATENT DOCUMENTS

D. 308,792	6/1990	Lord et al.	D7/698
163,552	5/1875	van Velsor	296/302.1
2,919,169	12/1959	Jackson .	
3,114,574	12/1963	Pryale	297/193

3,751,845	8/1973	van Leeuwen	297/193 X
4,106,811	8/1978	Hernandez .	
4,228,894	10/1980	Lyles .	
4,295,680	10/1981	Grasso .	
4,379,587	4/1983	Duncan .	
4,436,340	3/1984	Hernandez .	
4,487,135	12/1984	van Ryn	297/193 X

Primary Examiner—Bruce W. Dunkins
Assistant Examiner—Gary D. Watson
Attorney, Agent, or Firm—Mathews, Woodbridge & Collins

[57] **CLAIM**

The ornamental design for a combined cutting board and seat, as shown and described.

DESCRIPTION

FIG. 1 is a front perspective view of a combined cutting board and seat showing our new design; FIG. 2 is a top plan view of our combined cutting board and seat showing our new design; FIG. 3 is a bottom plan view thereof; FIG. 4 is a front-edge elevational view thereof; FIG. 5 is a rear-edge elevational view thereof; and, FIG. 6 is a right side elevational view thereof. The knife and bucket, fragmentarily depicted, have been shown for illustrative purposes only.

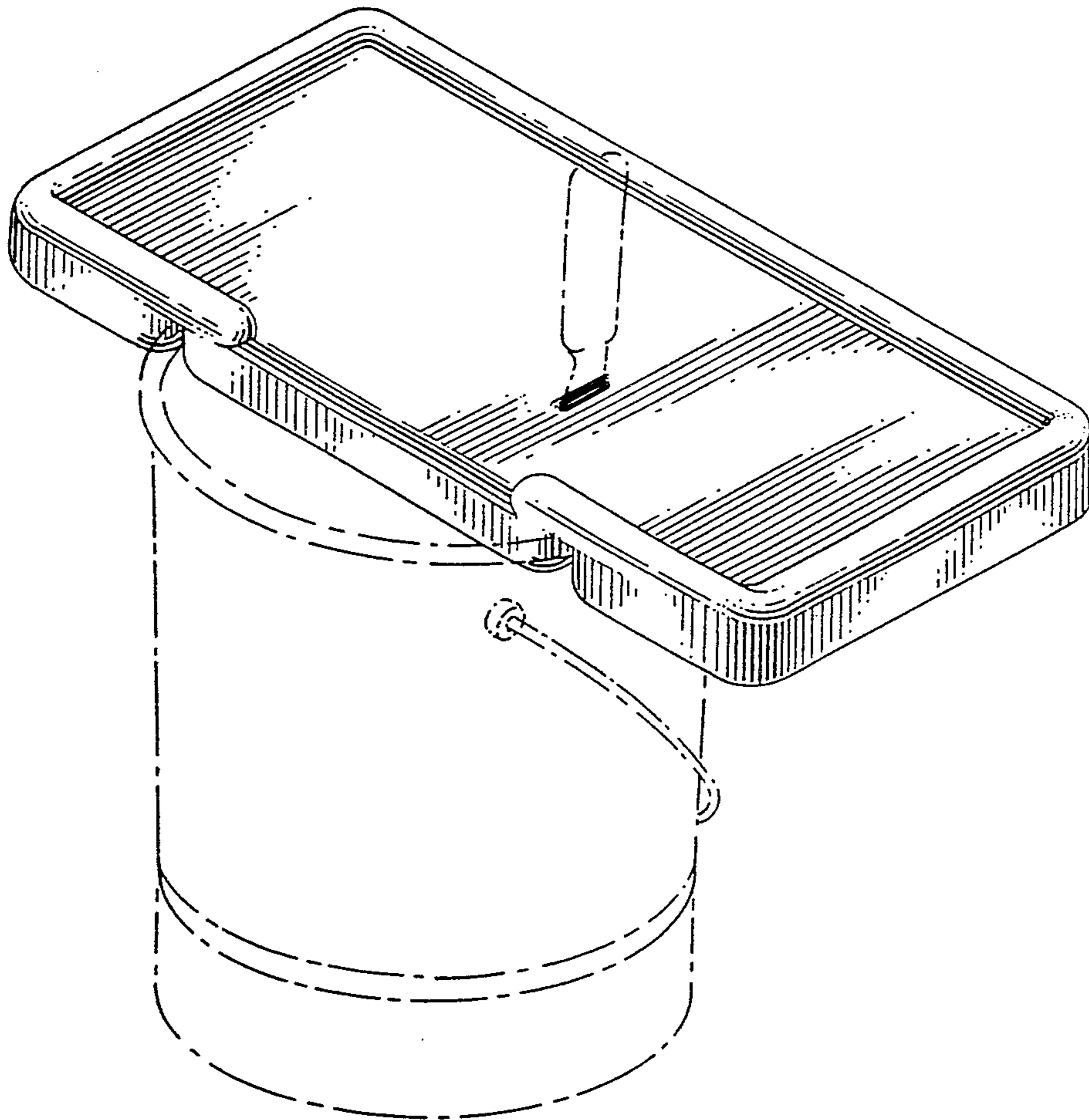


FIG. 1.

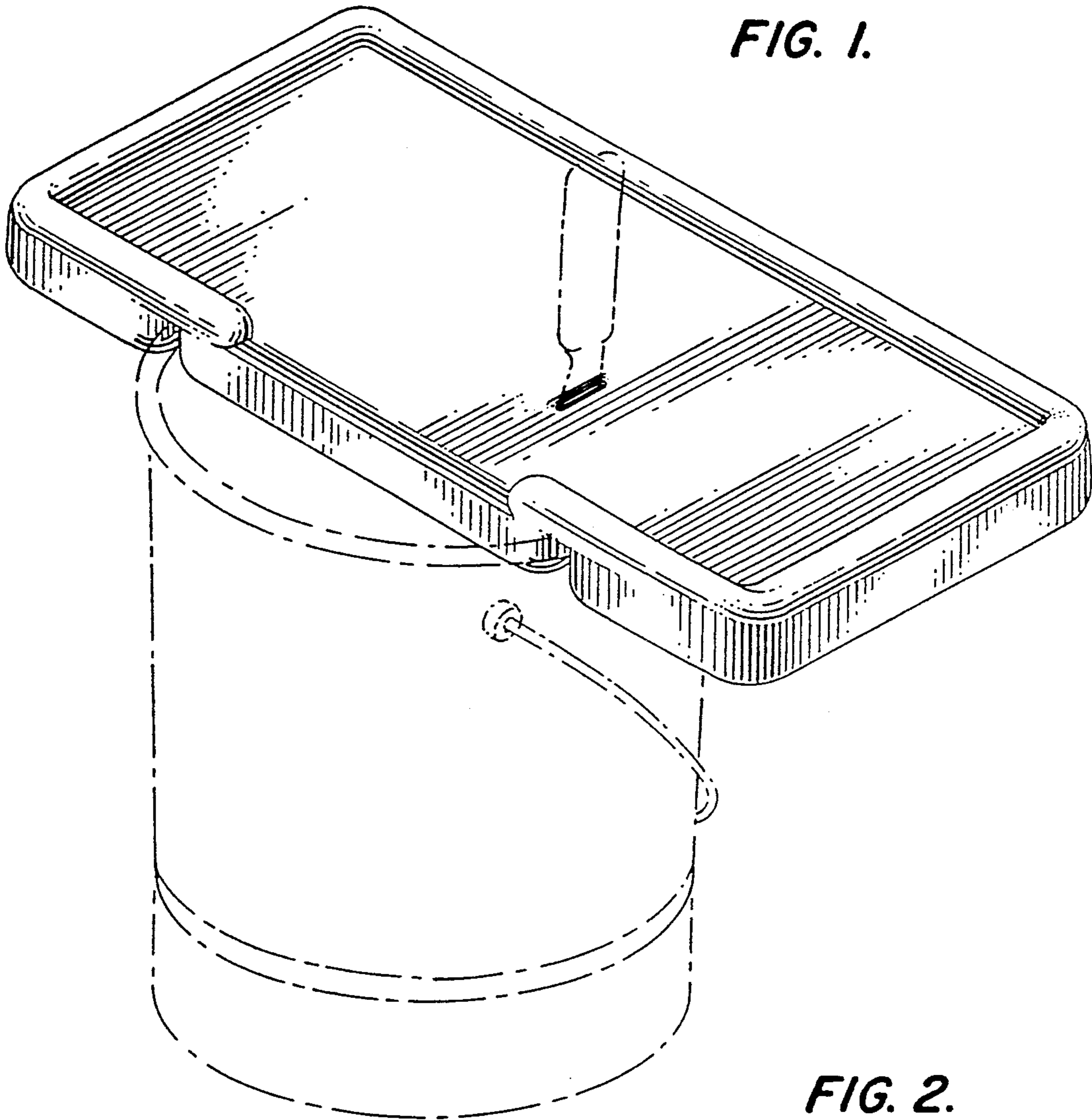


FIG. 2.

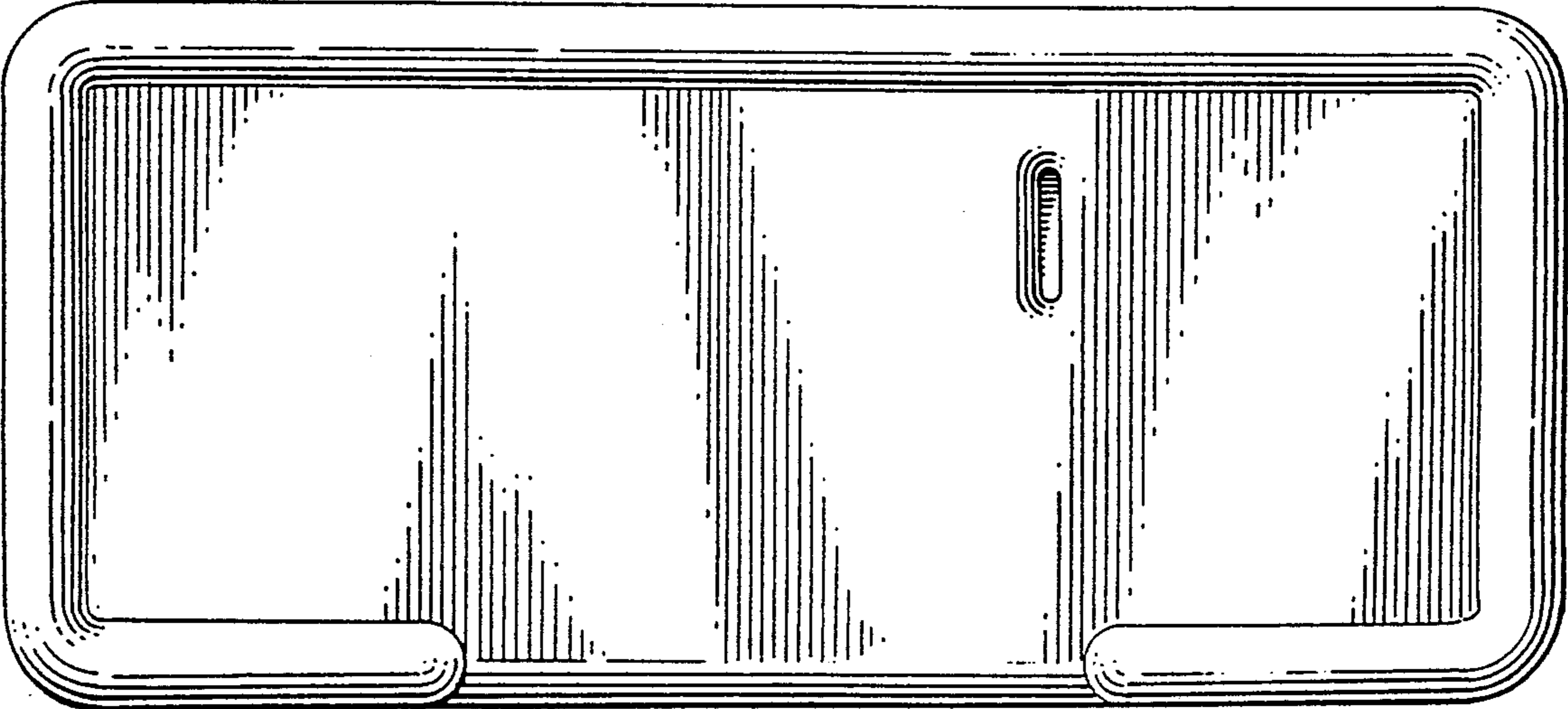


FIG. 3.

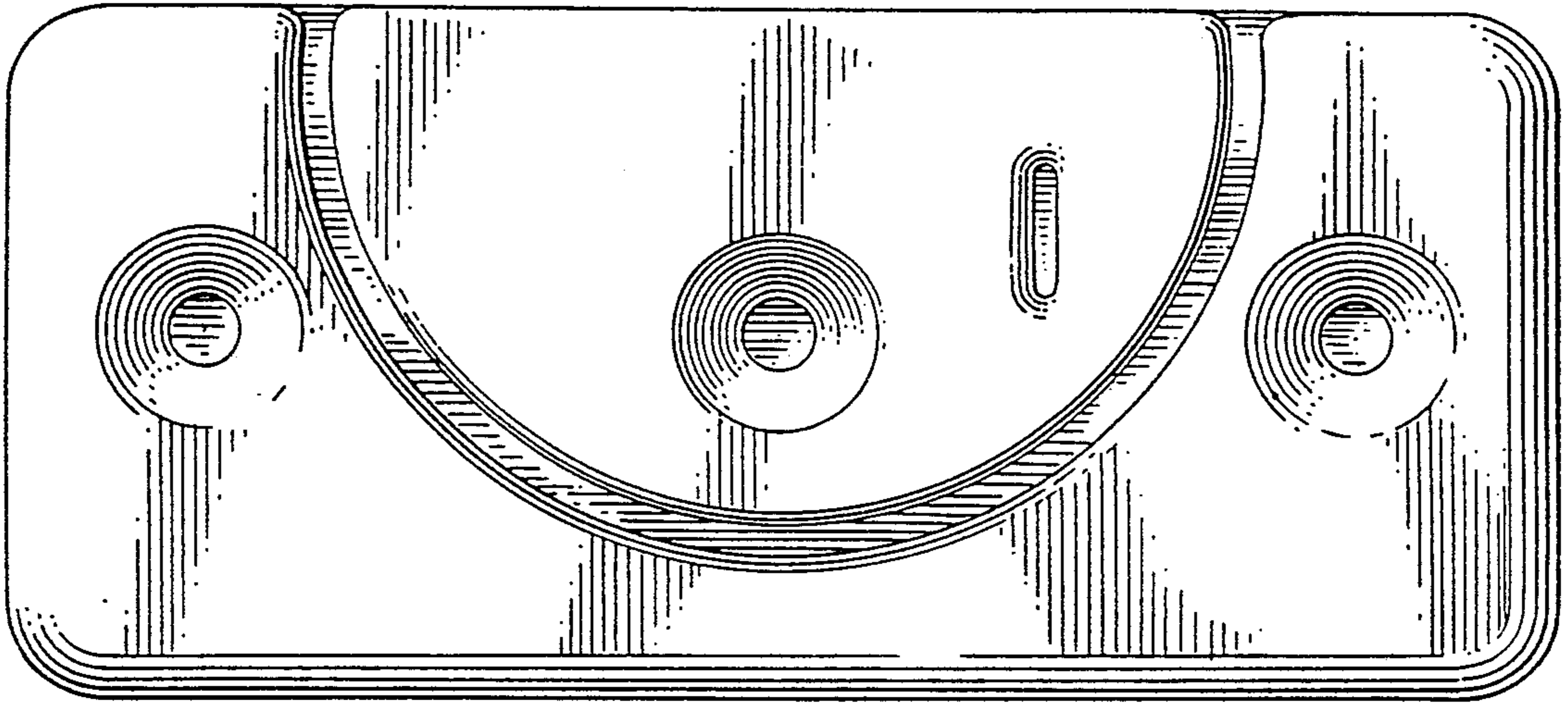


FIG. 4.

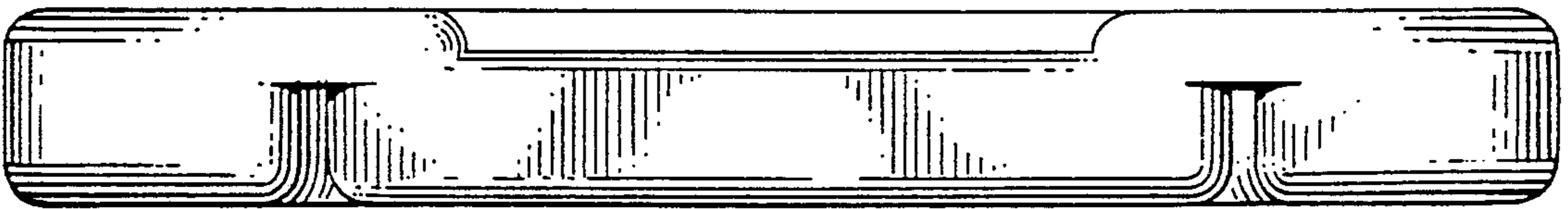


FIG. 5.

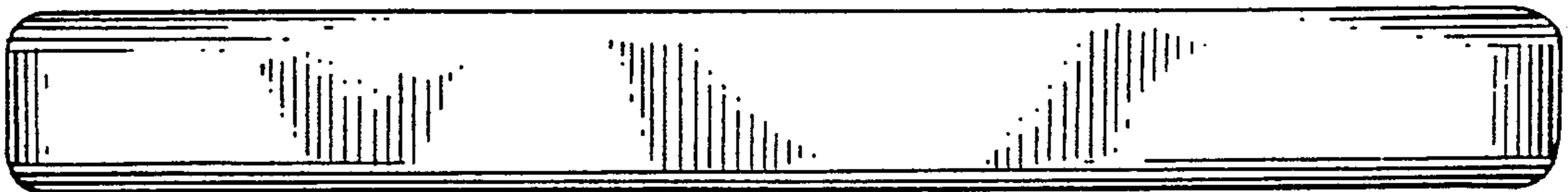


FIG. 6.

