

[54] POWER CLEANING BRUSH

[76] Inventor: Morgan E. A. Fedora, P.O. Box 7787, South Lake Tahoe, Calif. 95731

[**] Term: 14 Years

[21] Appl. No.: 377,403

[22] Filed: Jul. 10, 1989

[52] U.S. Cl. D4/102; D4/127

[58] Field of Search D4/100, 102, 127, 130, D4/135, 138, 199; D32/14.1, 17-19, 35; 15/23-29, 143 R, 144 R, 144 B, 159 R, 159 A, 160, 179, 209 D; 401/136, 268, 272, 281

[56] References Cited

U.S. PATENT DOCUMENTS

- 1,624,758 4/1927 Powell et al. 15/28 X
- 2,885,707 5/1959 Vogt 15/209 D X
- 3,312,994 4/1967 Fassio 15/28 X

FOREIGN PATENT DOCUMENTS

- 478383 6/1929 Fed. Rep. of Germany 15/29
- 229658 9/1925 United Kingdom 401/136

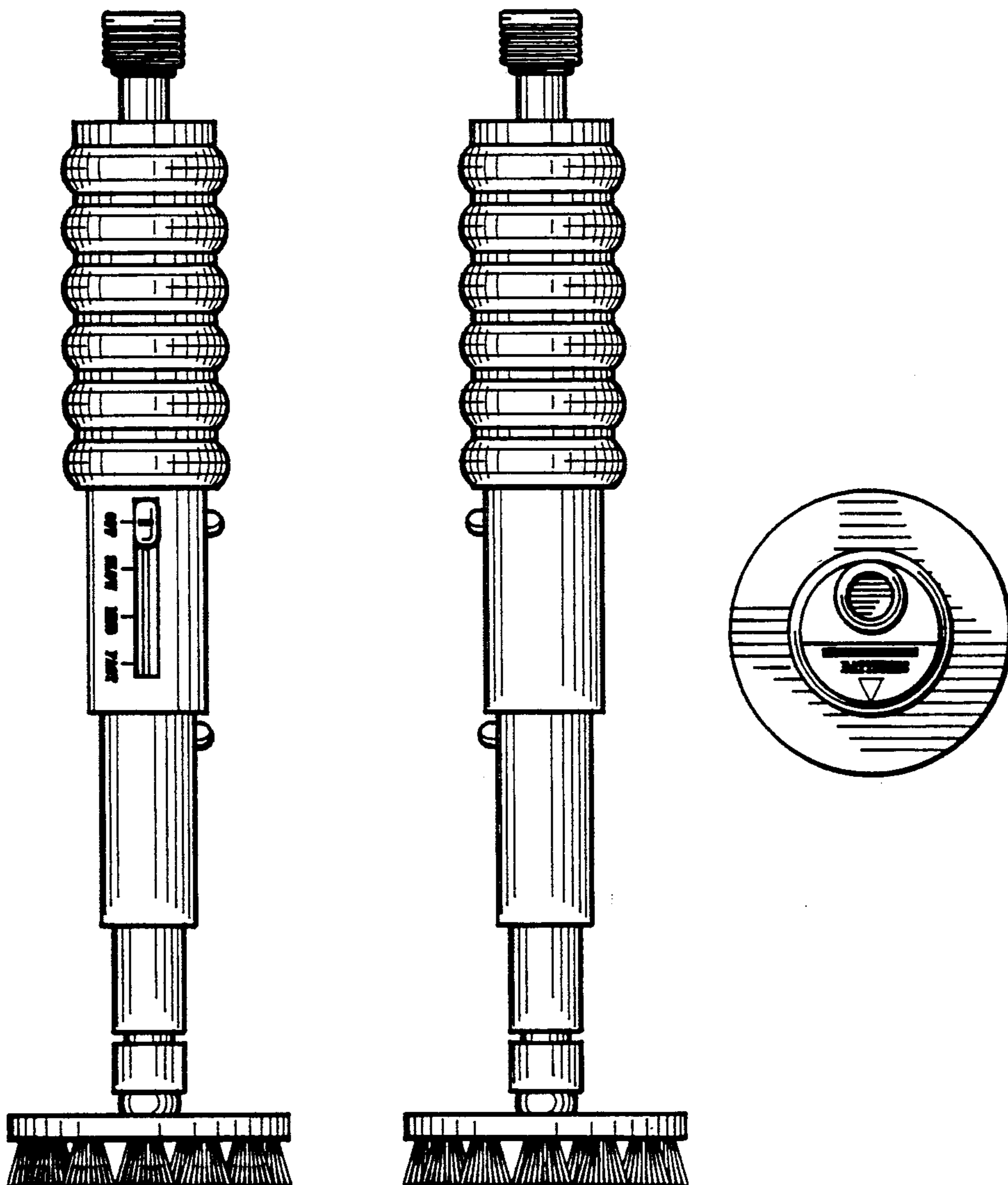
Primary Examiner—Wallace R. Burke
Assistant Examiner—Lavone D. Tabor
Attorney, Agent, or Firm—Leon Gilden

[57] CLAIM

The ornamental design for a power cleaning brush, as shown and described.

DESCRIPTION

FIG. 1 is a front elevational view of a power cleaning brush showing my new design;
FIG. 2 is a rear elevational view thereof;
FIG. 3 is a left side elevational view thereof;
FIG. 4 is a right side elevational view thereof;
FIG. 5 is a top plan view thereof; and,
FIG. 6 is a bottom plan view thereof.



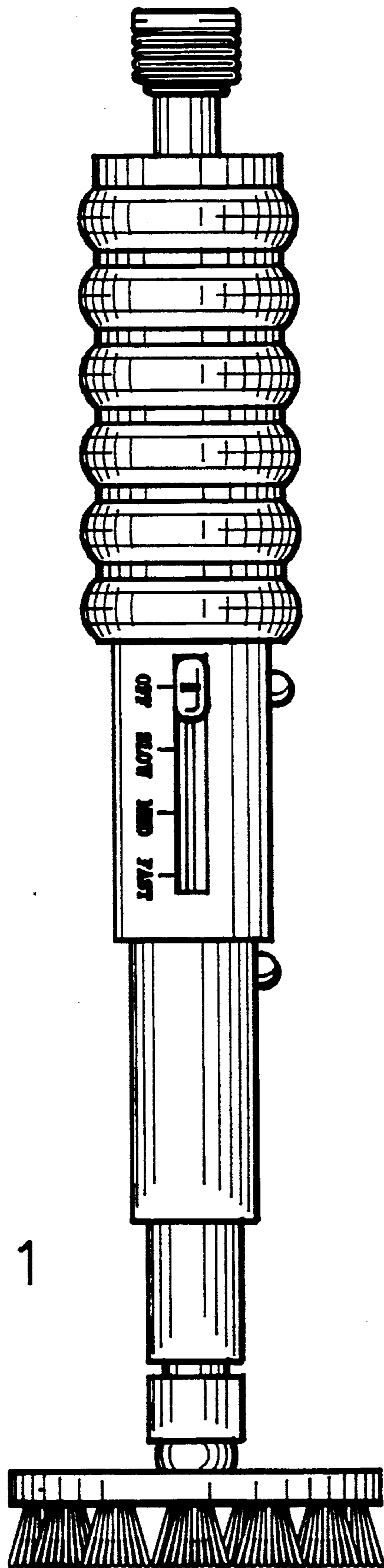


Fig. 1

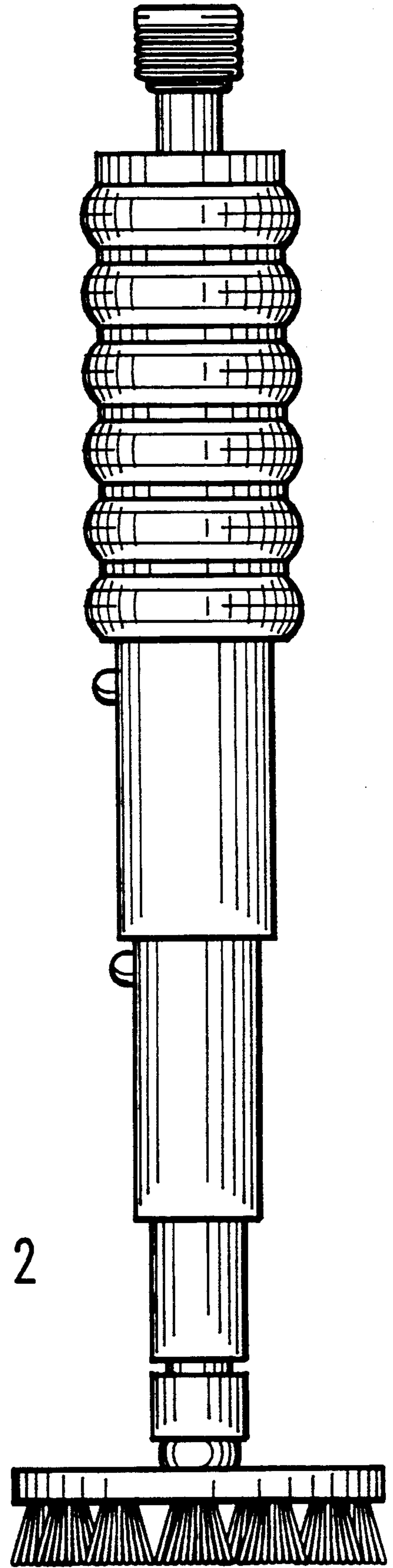


Fig. 2

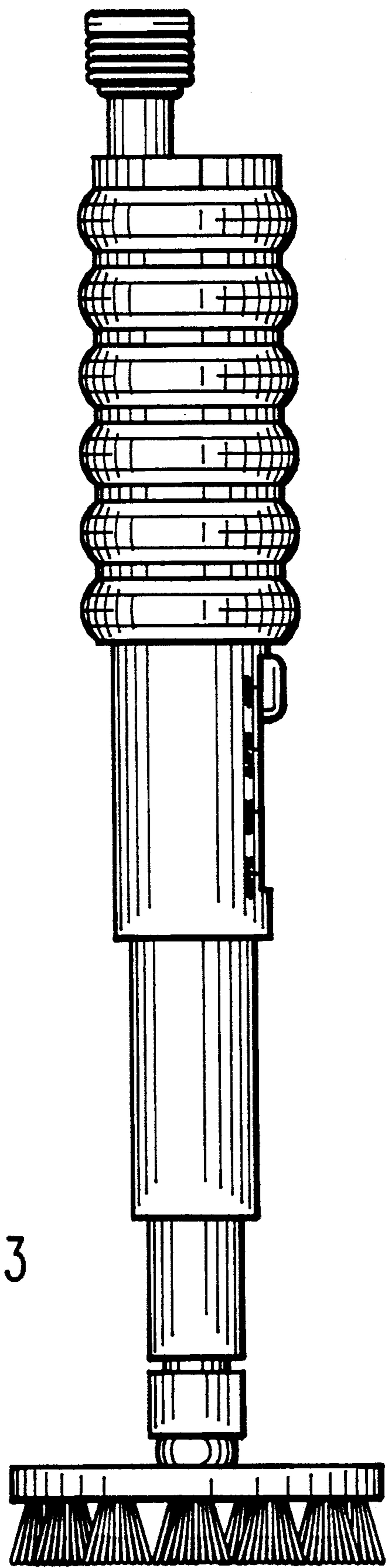


Fig. 3

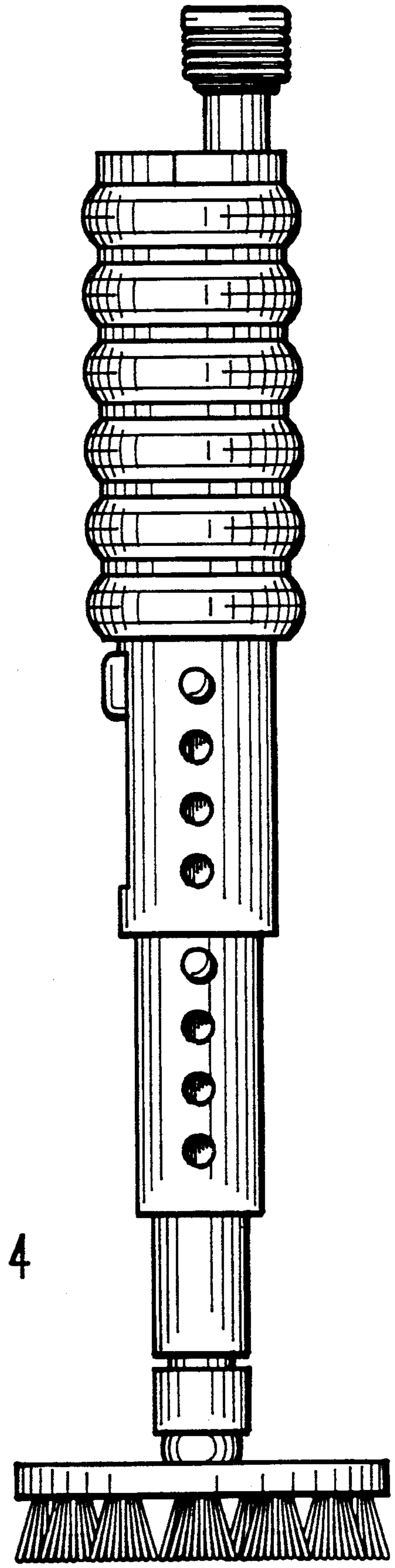


Fig. 4



Fig. 5

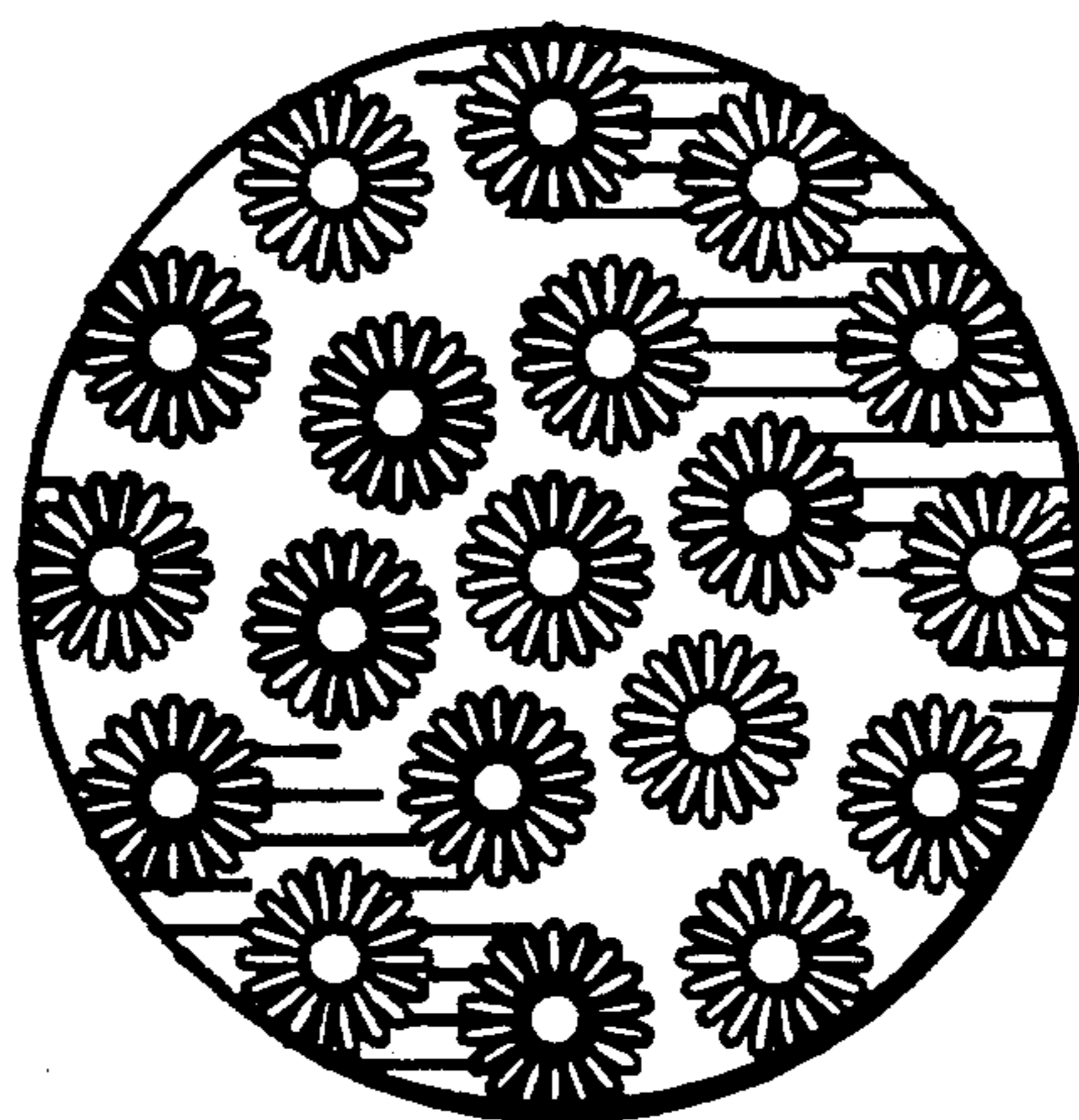


Fig. 6