

[54] CASE FOR CORDLESS POWER RATCHET TOOL

[75] Inventor: William W. Ward, Clayton, N.C.

[73] Assignee: Southern Case, Inc., Raleigh, N.C.

[**] Term: 14 Years

[21] Appl. No.: 373,484

[22] Filed: Jun. 30, 1989

[52] U.S. Cl. D3/73; D3/30.1

[58] Field of Search D3/76, 33, 74, 75, 36, D3/30.1, 72, 73; 190/115, 119; 206/315.9, 379, 315.1, 349, 372, 373, 538, 533; D7/424; D14/201

[56] References Cited

U.S. PATENT DOCUMENTS

- D. 104,487 5/1937 Wilt D3/76
- D. 194,139 11/1962 Parsell D3/76 X
- D. 207,715 5/1967 Ryan D3/76 X
- D. 209,373 11/1967 Gordon D3/73
- D. 216,966 3/1970 Belokin D3/73 X

- D. 225,383 12/1972 Eisele D3/76
- D. 249,825 10/1978 Hasulak D3/73
- D. 269,648 7/1983 Wilcox et al. D3/74 X
- D. 290,344 6/1987 Toms D9/424
- D. 303,455 9/1989 Uchiyama D3/76
- 4,768,651 9/1988 Lanius 206/315.1 X

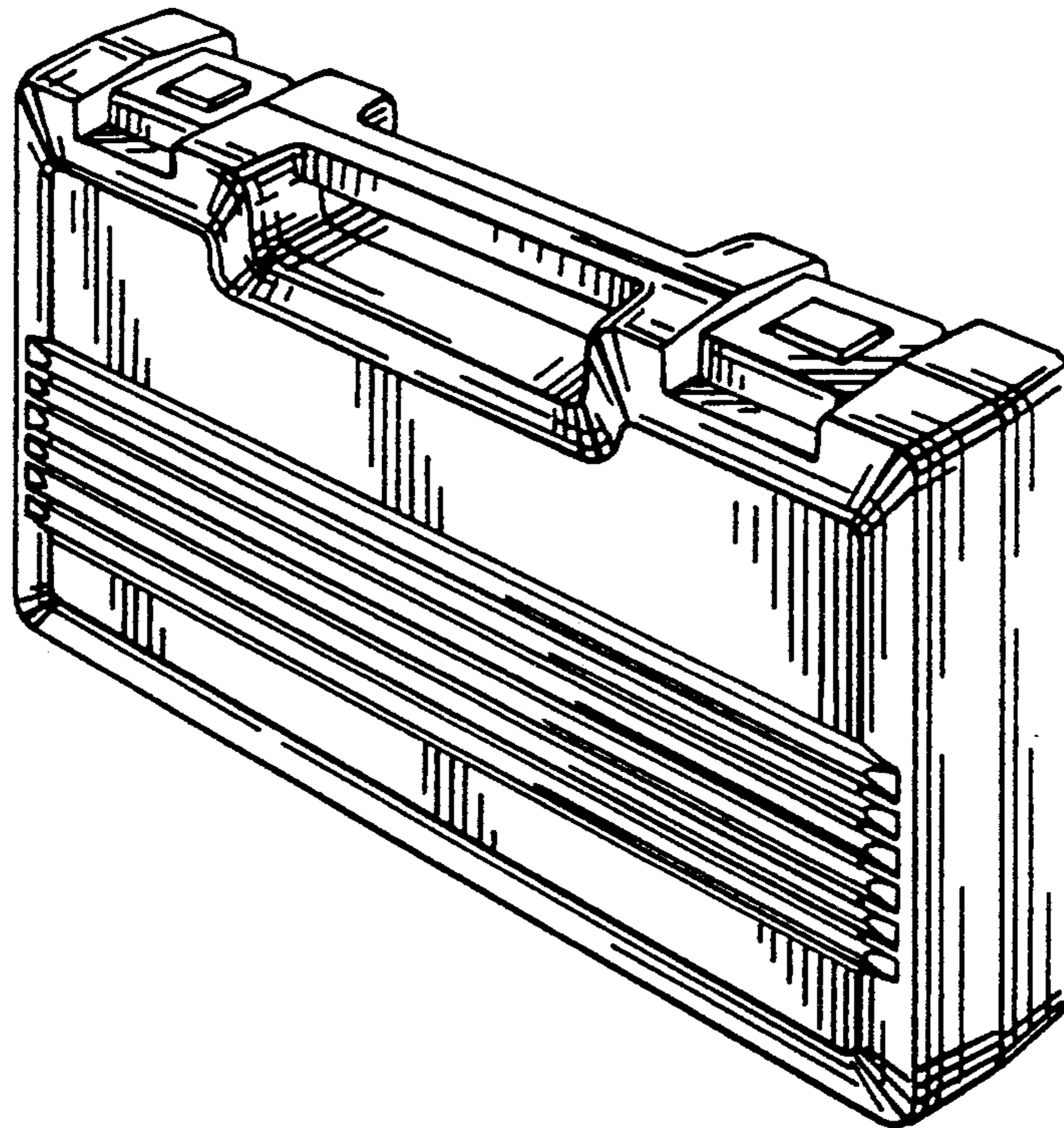
Primary Examiner—Louis S. Zarfes
Assistant Examiner—M. N. Pandozzi
Attorney, Agent, or Firm—Bell, Seltzer, Park & Gibson

[57] CLAIM

The ornamental design for a case for cordless power ratchet tool, as shown and described.

DESCRIPTION

FIG. 1 is a top, front, right perspective view of a case for a cordless power ratchet tool showing my new design;
FIG. 2 is a left side elevational view, the right side elevational view being a mirror image thereof;
FIG. 3 is a front elevational view thereof;
FIG. 4 is a rear elevational view thereof;
FIG. 5 is a top plan view thereof;
FIG. 6 is a bottom plan view thereof.



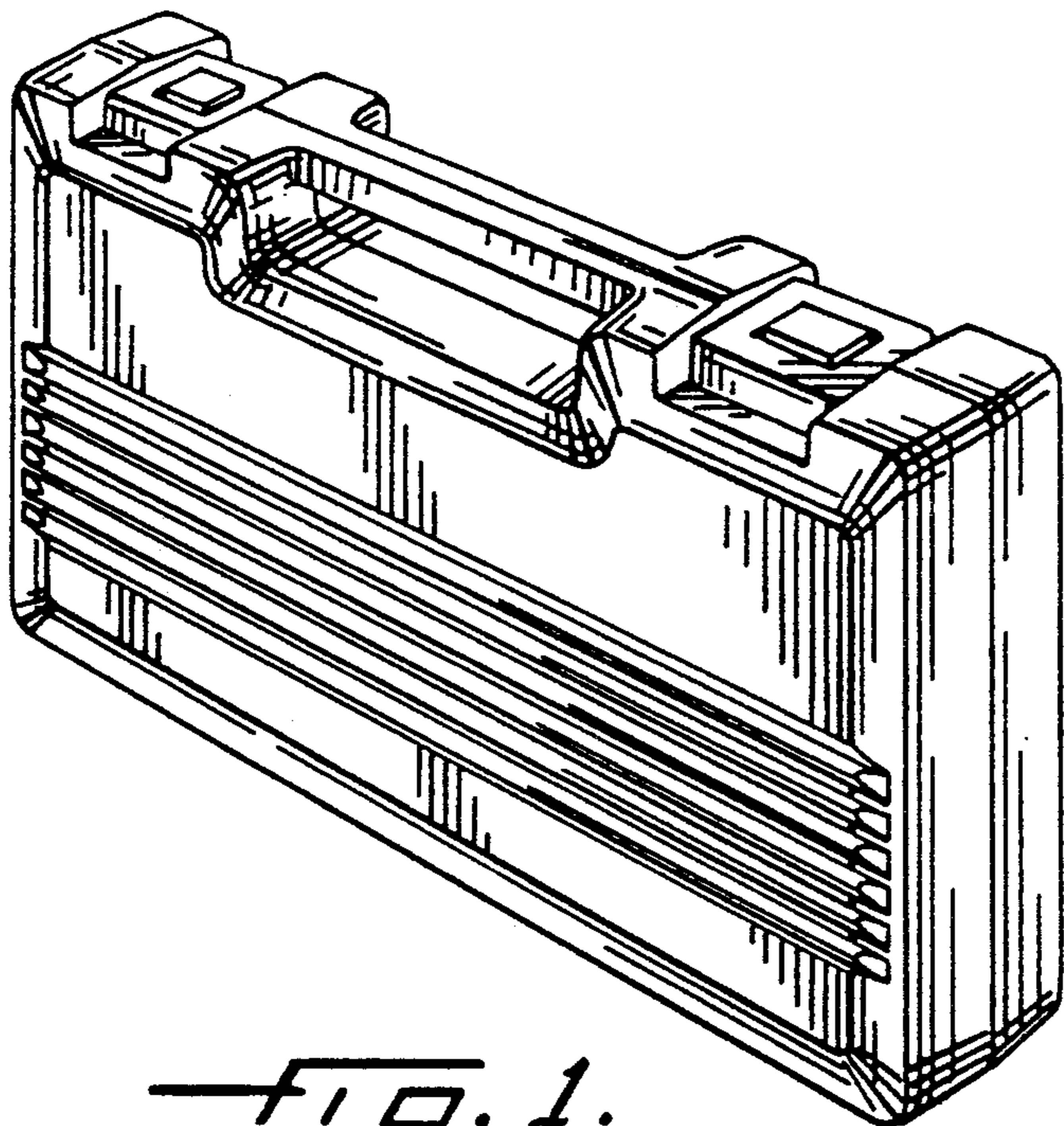


FIG. 1.

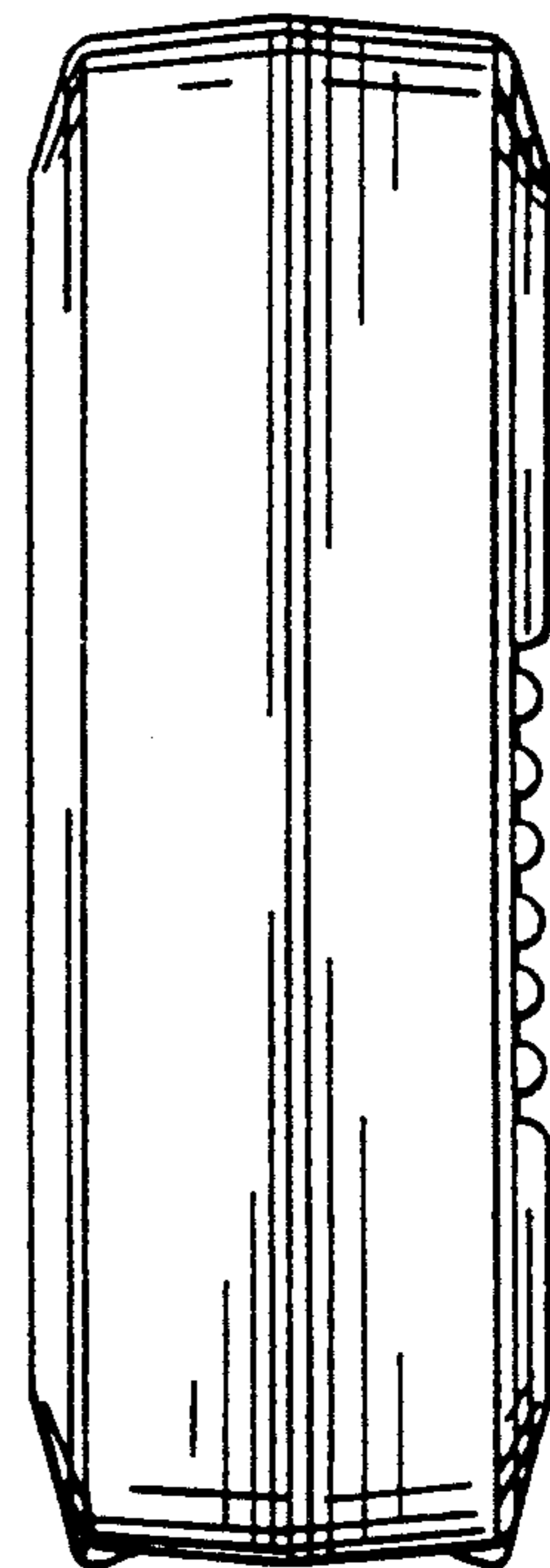


FIG. 2.

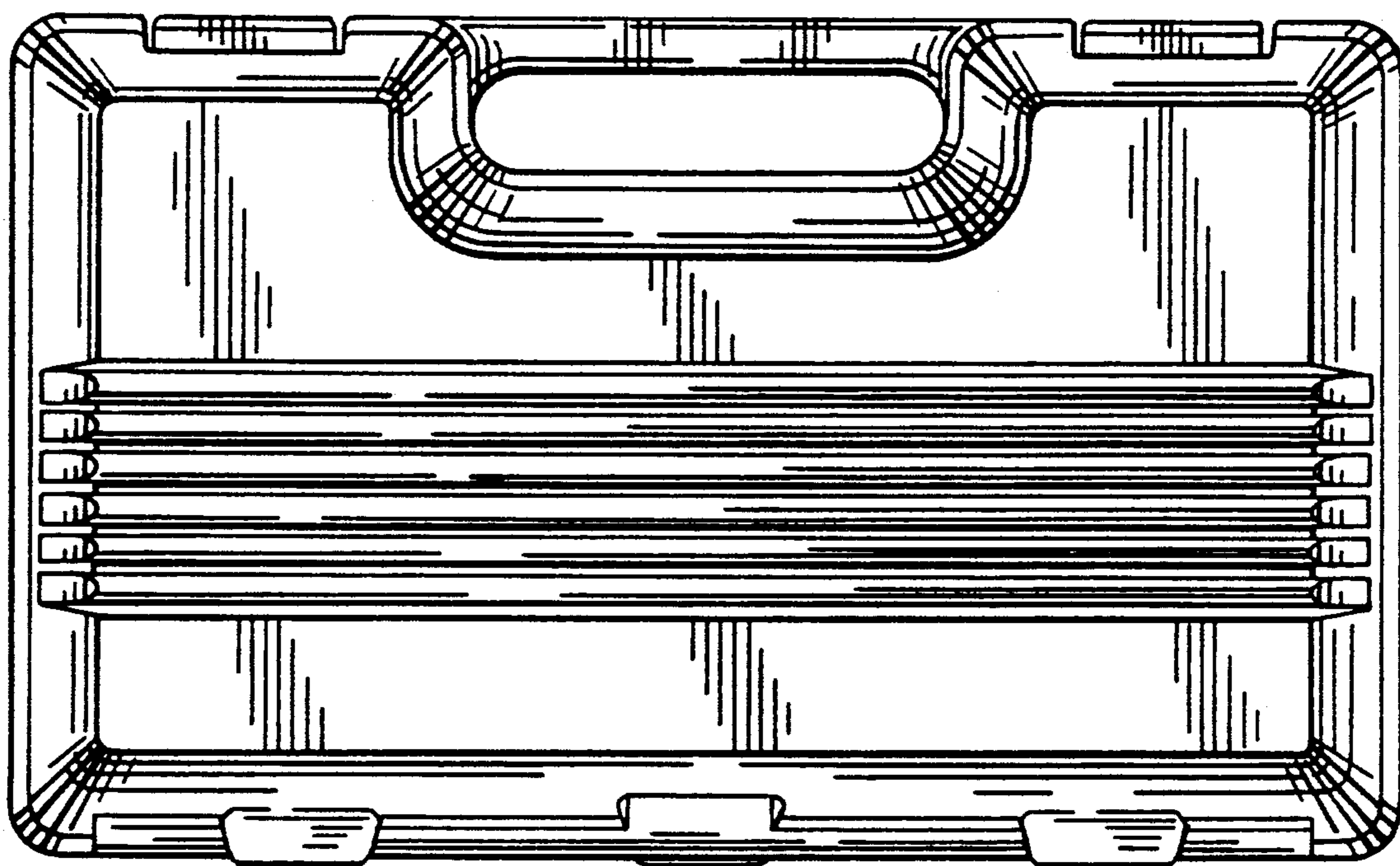
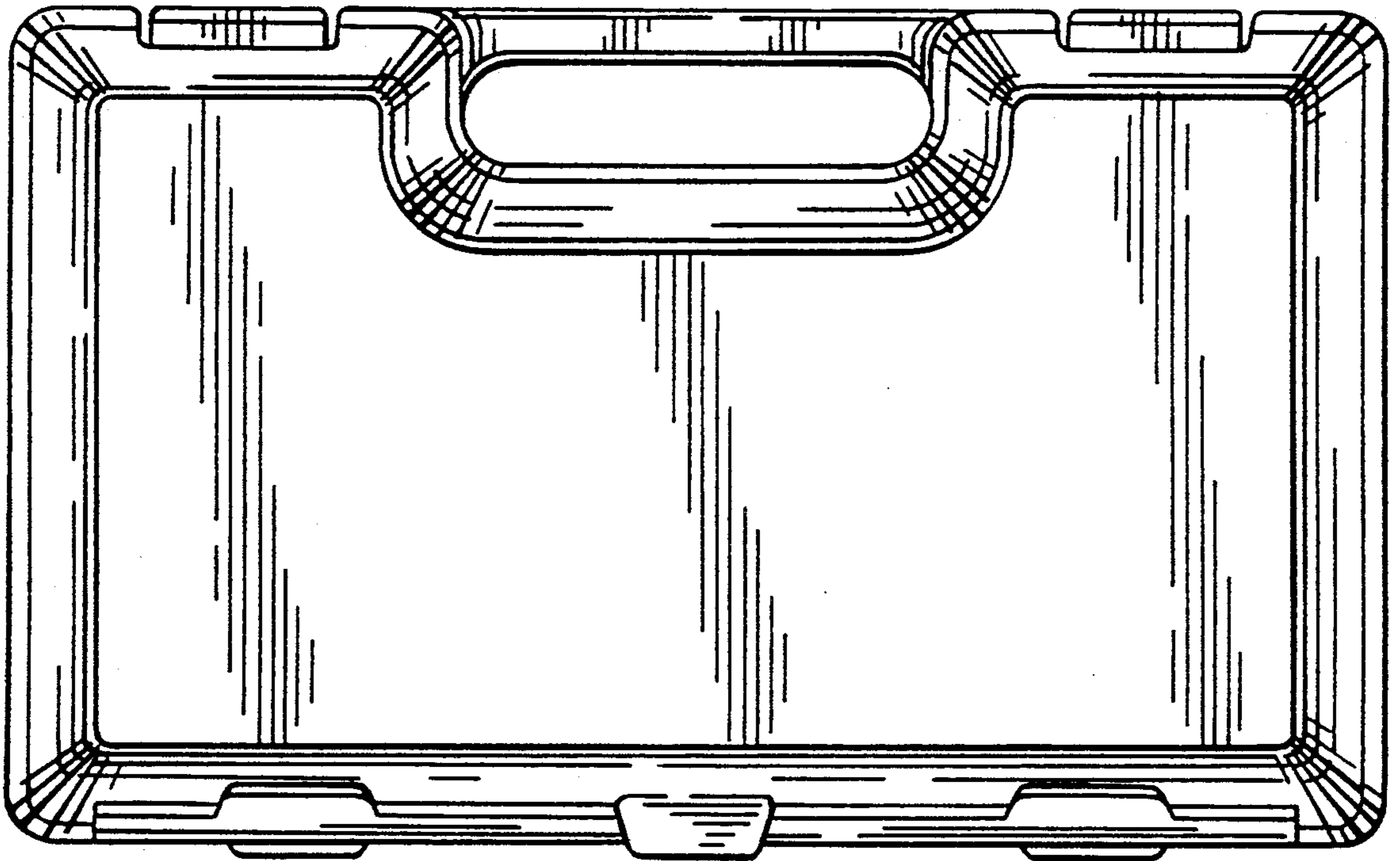
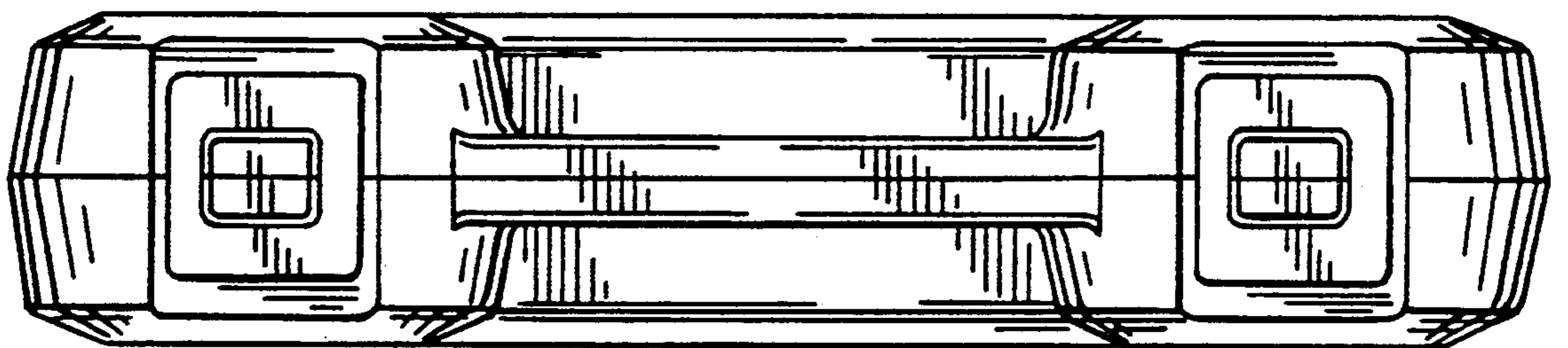


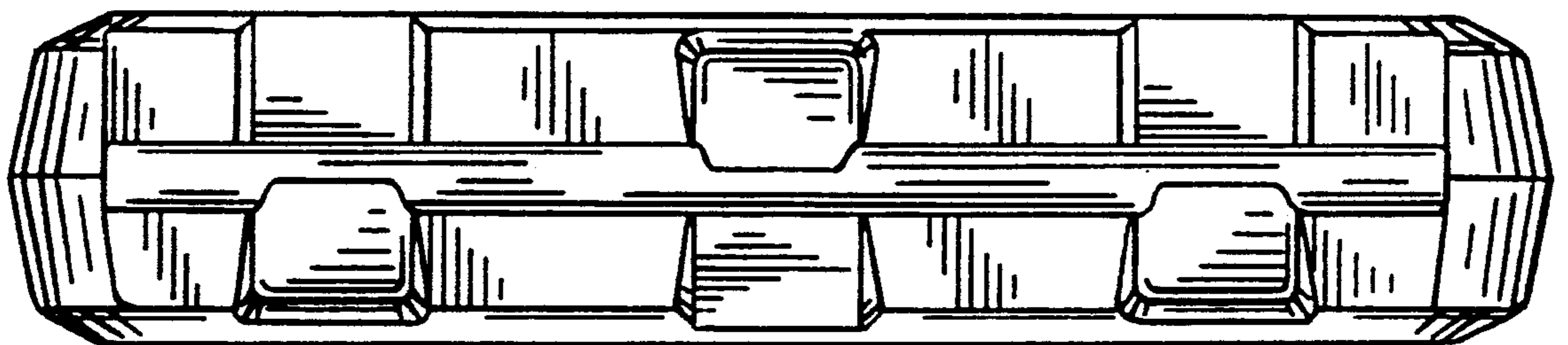
FIG. 3.



—FIG. 4.



—FIG. 5.



—FIG. 6.