

[54] KEY HOLDER

[76] Inventor: Woodrow C. Stillwagon, 7610 Ball Mill Rd., Atlanta, Ga. 30338

[**] Term: 14 Years

[21] Appl. No.: 891,489

[22] Filed: Aug. 1, 1986

[52] U.S. Cl. D3/61

[58] Field of Search D3/61, 62, 63, 64, 65;
206/37.1, 37.2, 37.3, 37.4, 37.5, 37.6, 37.7, 37.8;
70/456 R, 456 B

[56] References Cited

U.S. PATENT DOCUMENTS

D. 271,443	11/1983	MacDonald	D3/61
3,906,763	9/1975	Bochory	D3/61
4,776,191	10/1988	MacDonald	D3/61

Primary Examiner—Bruce W. Dunkins

Assistant Examiner—Antoine D. Davis

Attorney, Agent, or Firm—Erwin Doerr

[57] CLAIM

The ornamental design for a key holder, as shown and described.

DESCRIPTION

FIG. 1 is a perspective view of a key holder showing my new design;

FIG. 2 is an elevational view showing one of the two identical sides;

FIG. 3 is an end elevational view taken from the left of FIG. 1;

FIG. 4 is an elevational view showing one of the two identical edges;

FIG. 5 is a perspective view of the FIG. 1 embodiment shown in exploded condition;

FIG. 6 is an end elevational view taken from the right of FIG. 1;

FIG. 7 is an elevational view showing one of the two identical sides showing a second embodiment of my new design of FIGS. 1-6;

FIG. 8 is an elevational view showing one of the two identical edges;

FIG. 9 is an end elevational view taken from the bottom of FIG. 7;

FIG. 10 is an end elevational view taken from the top of FIG. 7;

FIG. 11 is a perspective view of the FIG. 7 embodiment shown in exploded condition;

FIG. 12 is a perspective view showing a third embodiment of my new design of FIGS. 1-6;

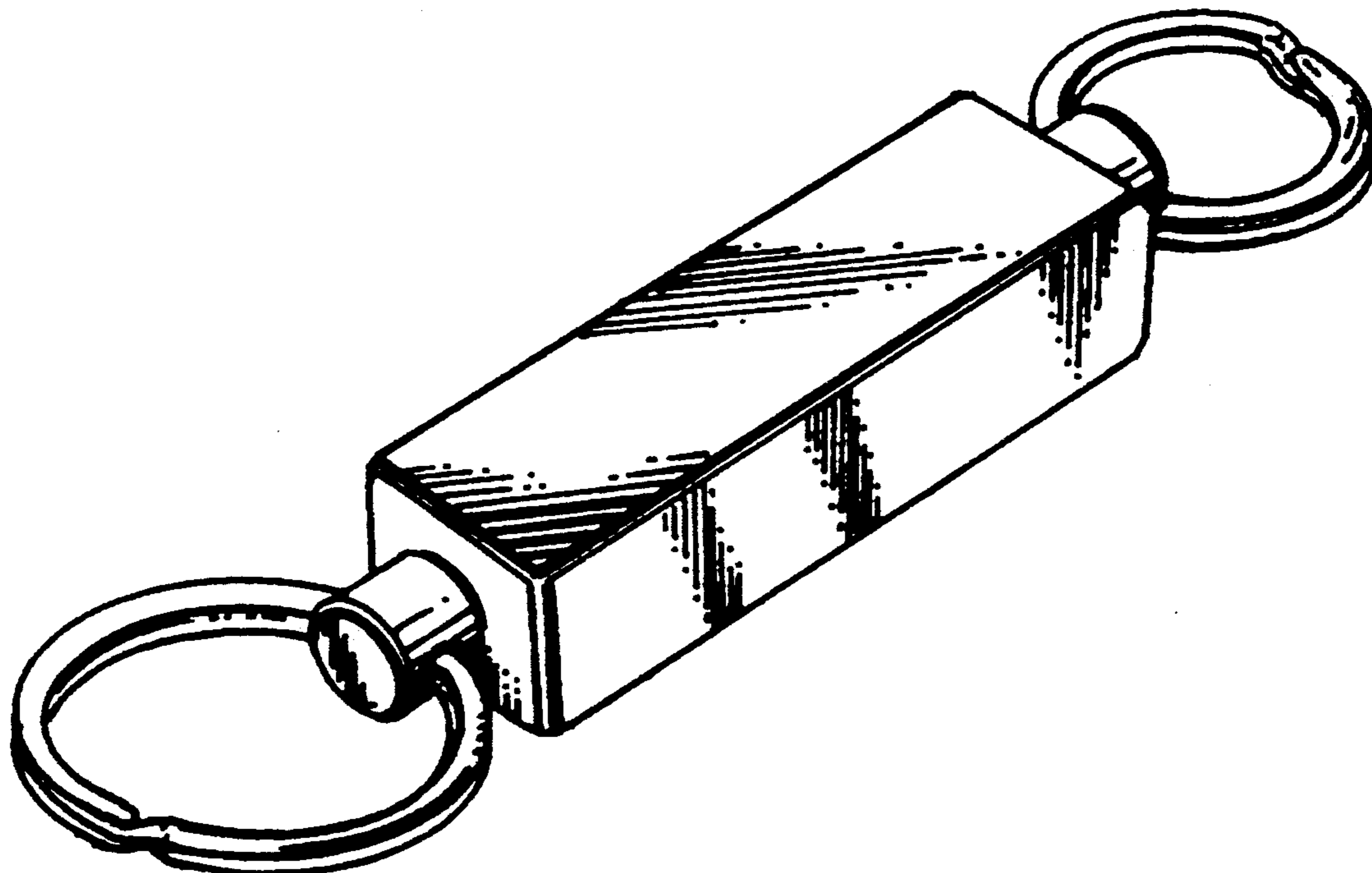
FIG. 13 is a perspective view of the FIG. 12 embodiment shown in exploded condition;

FIG. 14 is a perspective view showing the opposite side of that shown in FIG. 13;

FIG. 15 is a side elevational view, the circular member being the same throughout in appearance;

FIG. 16 is an end elevational view taken from the left of FIG. 12; and

FIG. 17 is an end elevational view taken from the right of FIG. 12 thereof.



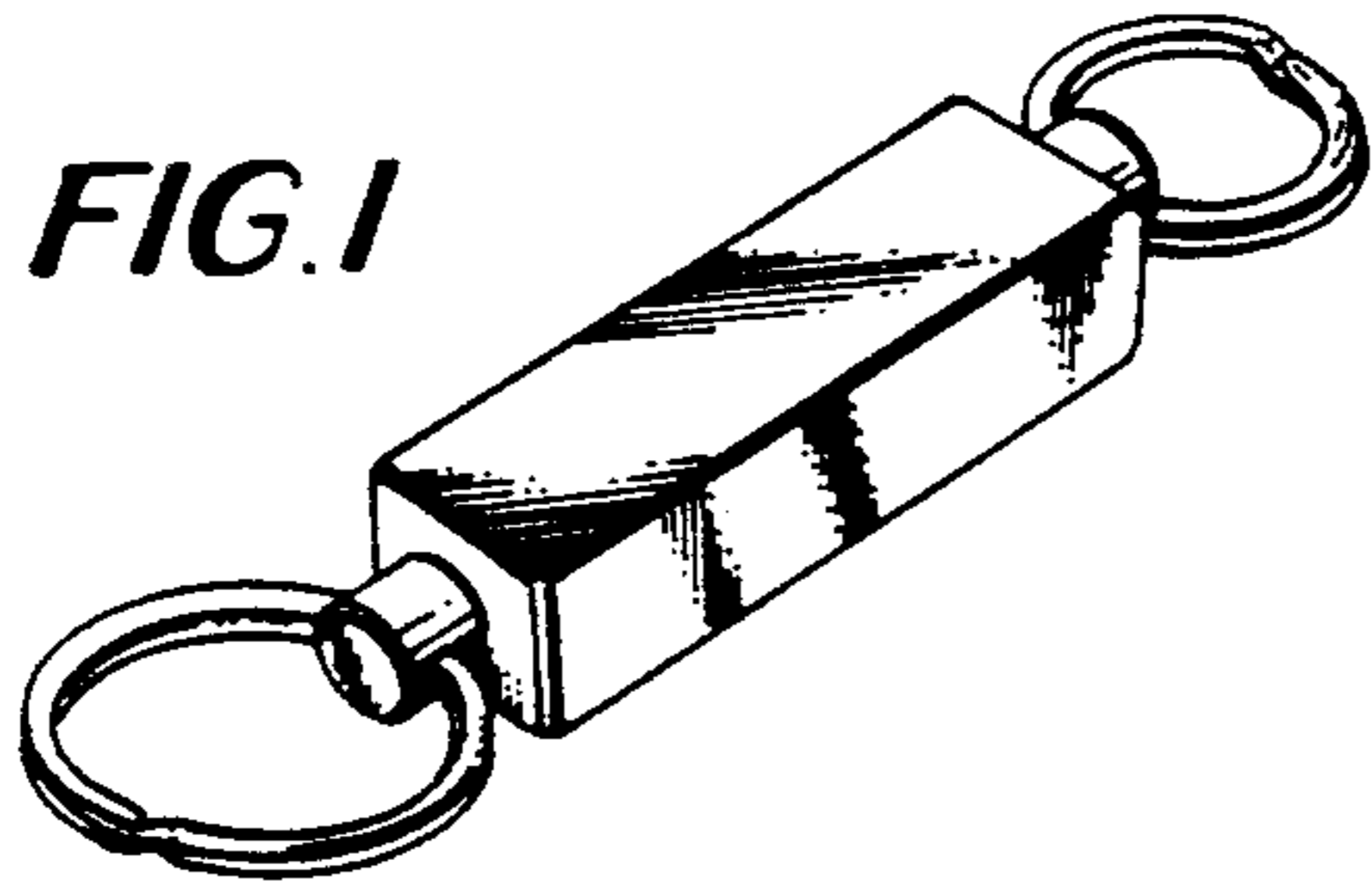


FIG. 1

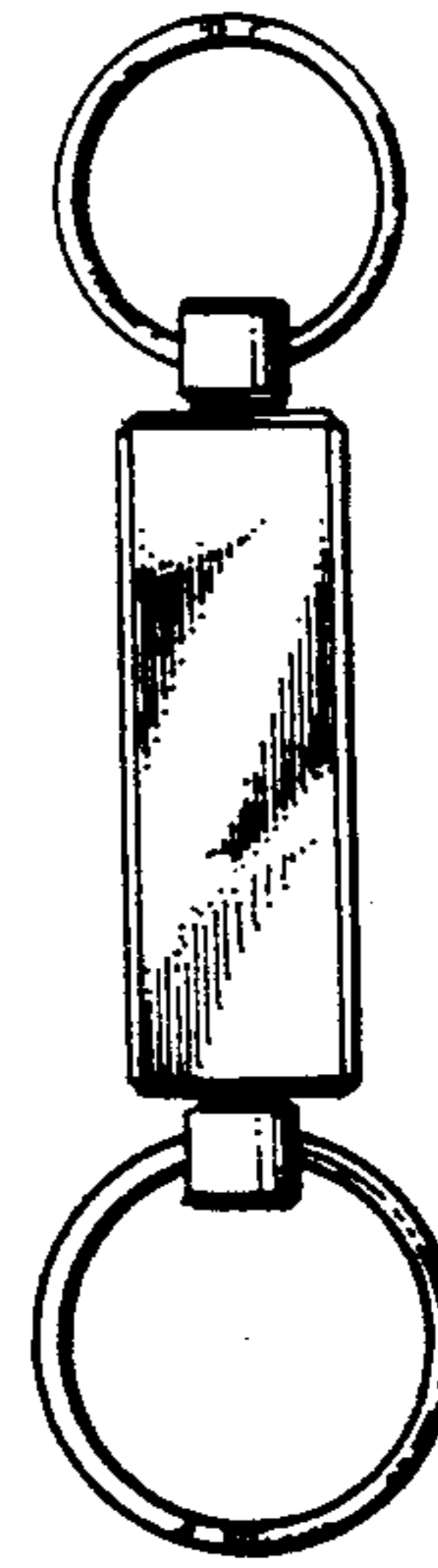


FIG. 2



FIG. 3



FIG. 4

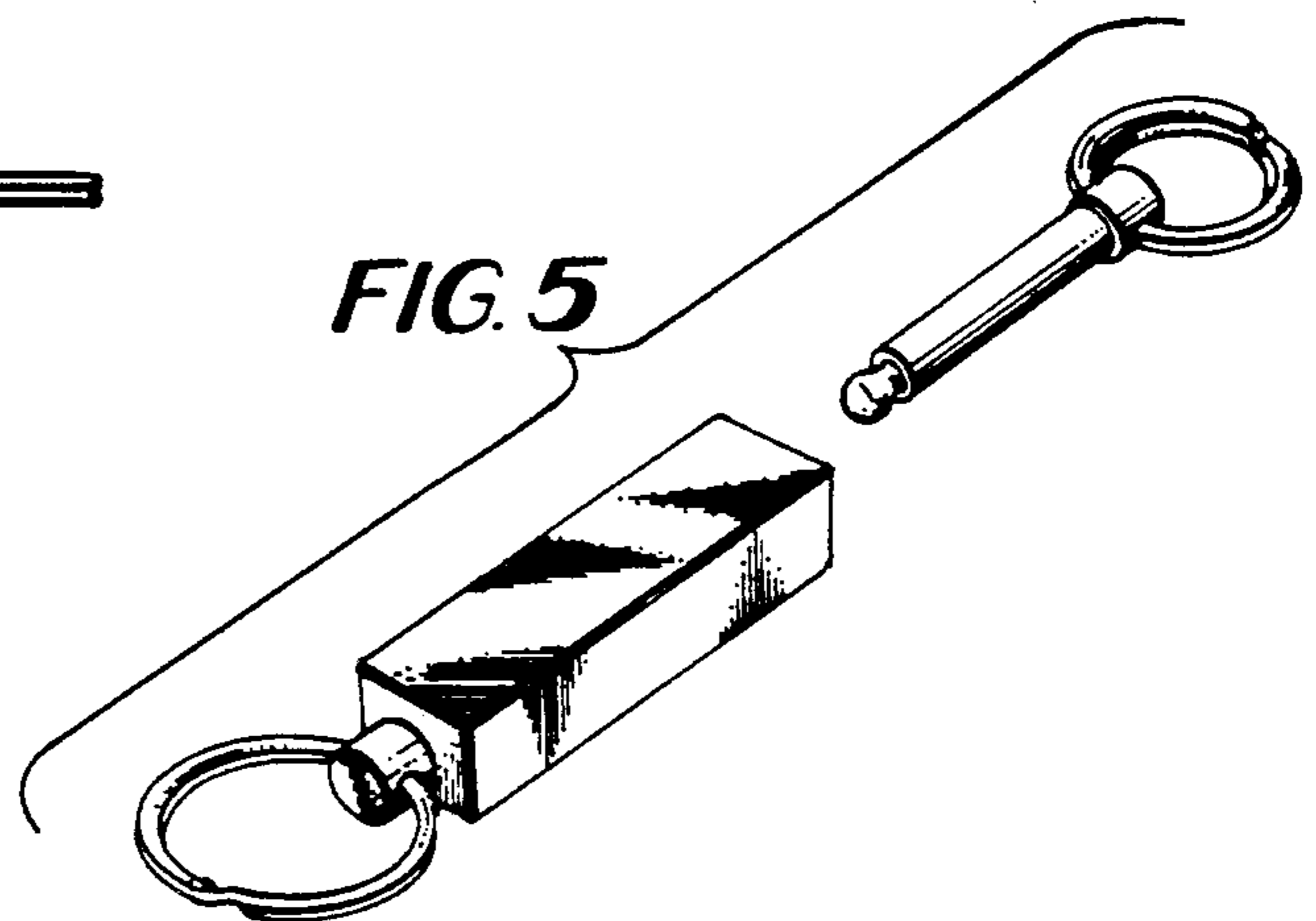


FIG. 5



FIG. 6



FIG. 7



FIG. 8



FIG. 9



FIG. 10

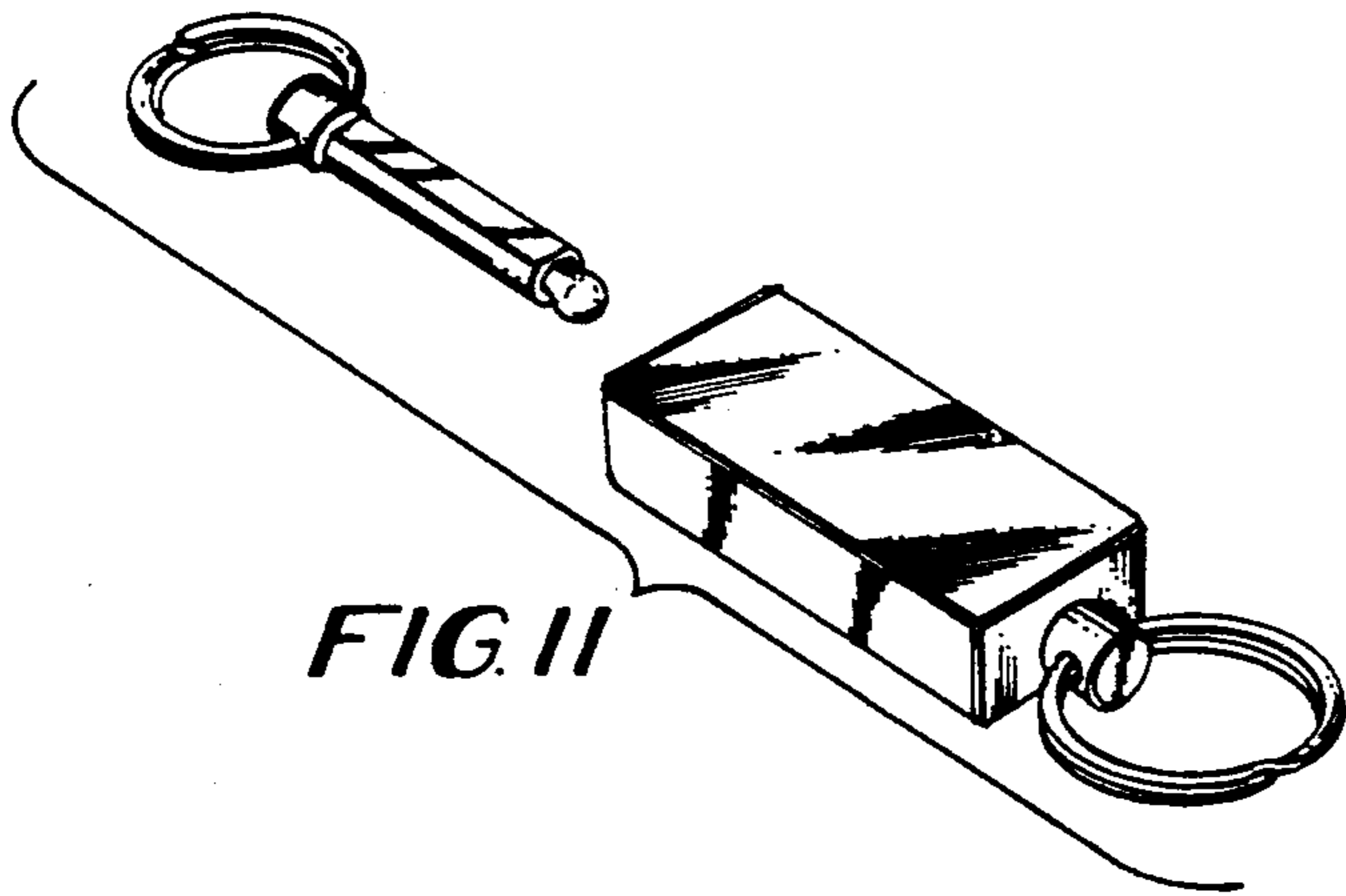


FIG. 11

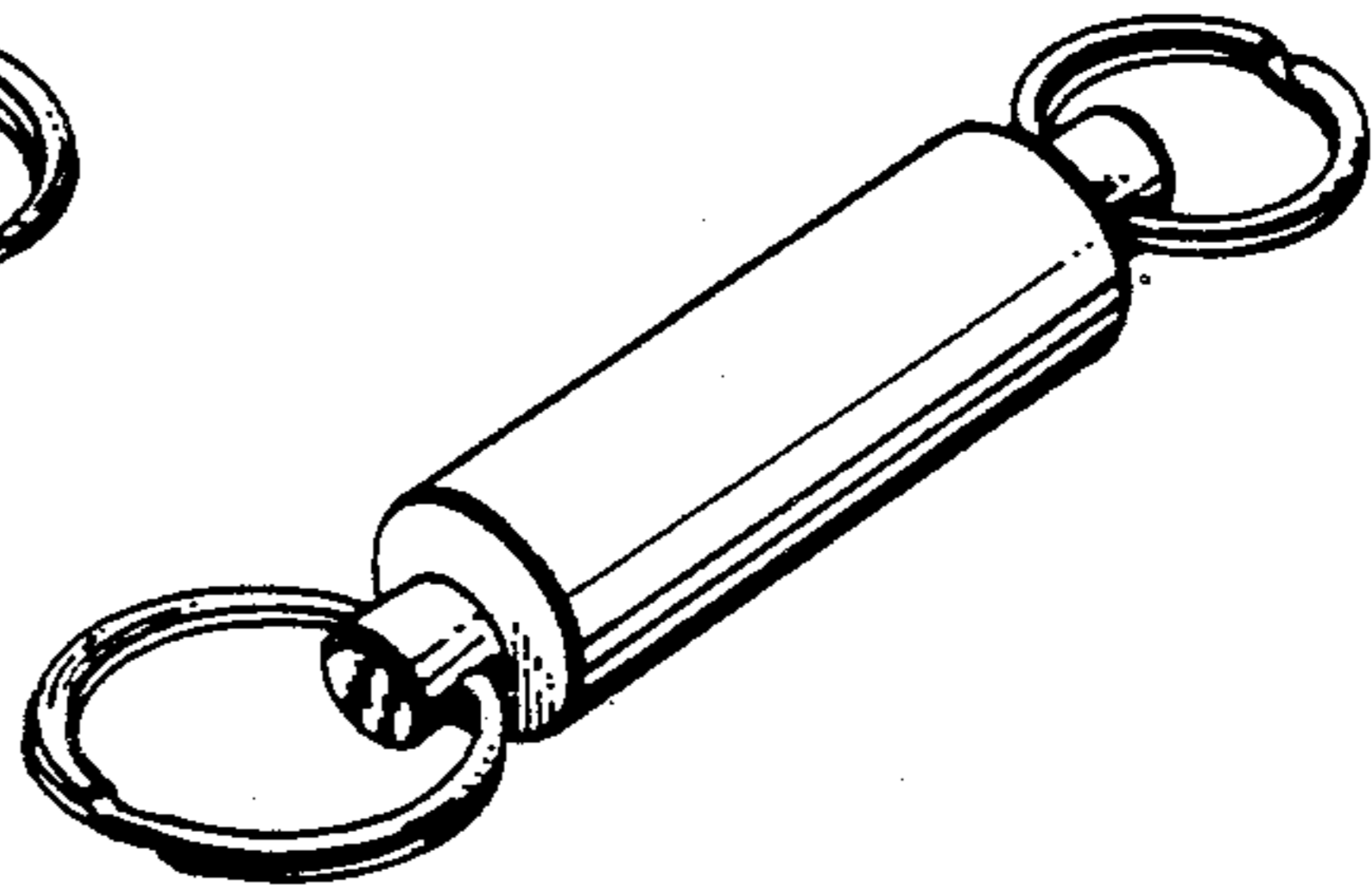


FIG. 12

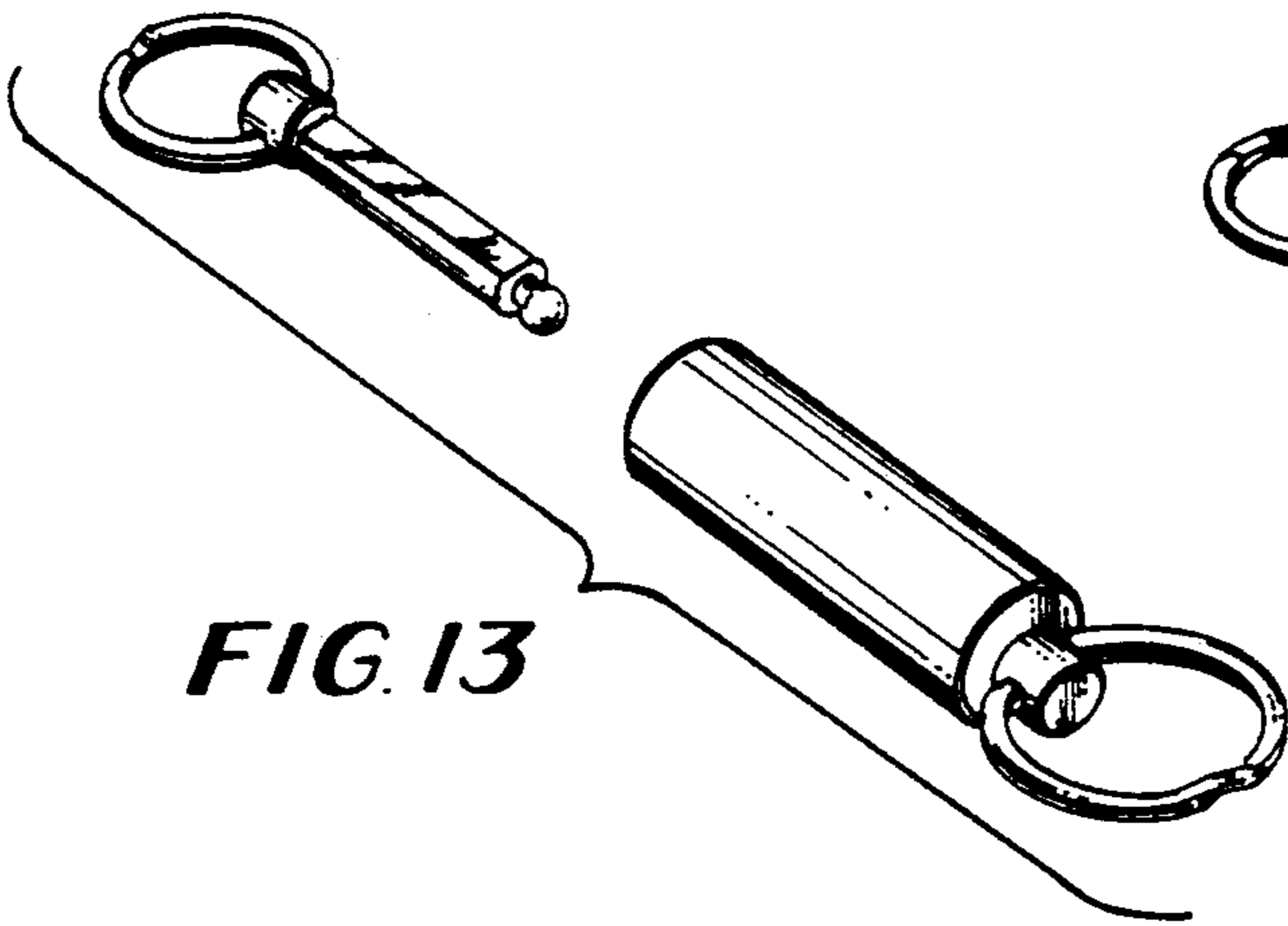


FIG. 13

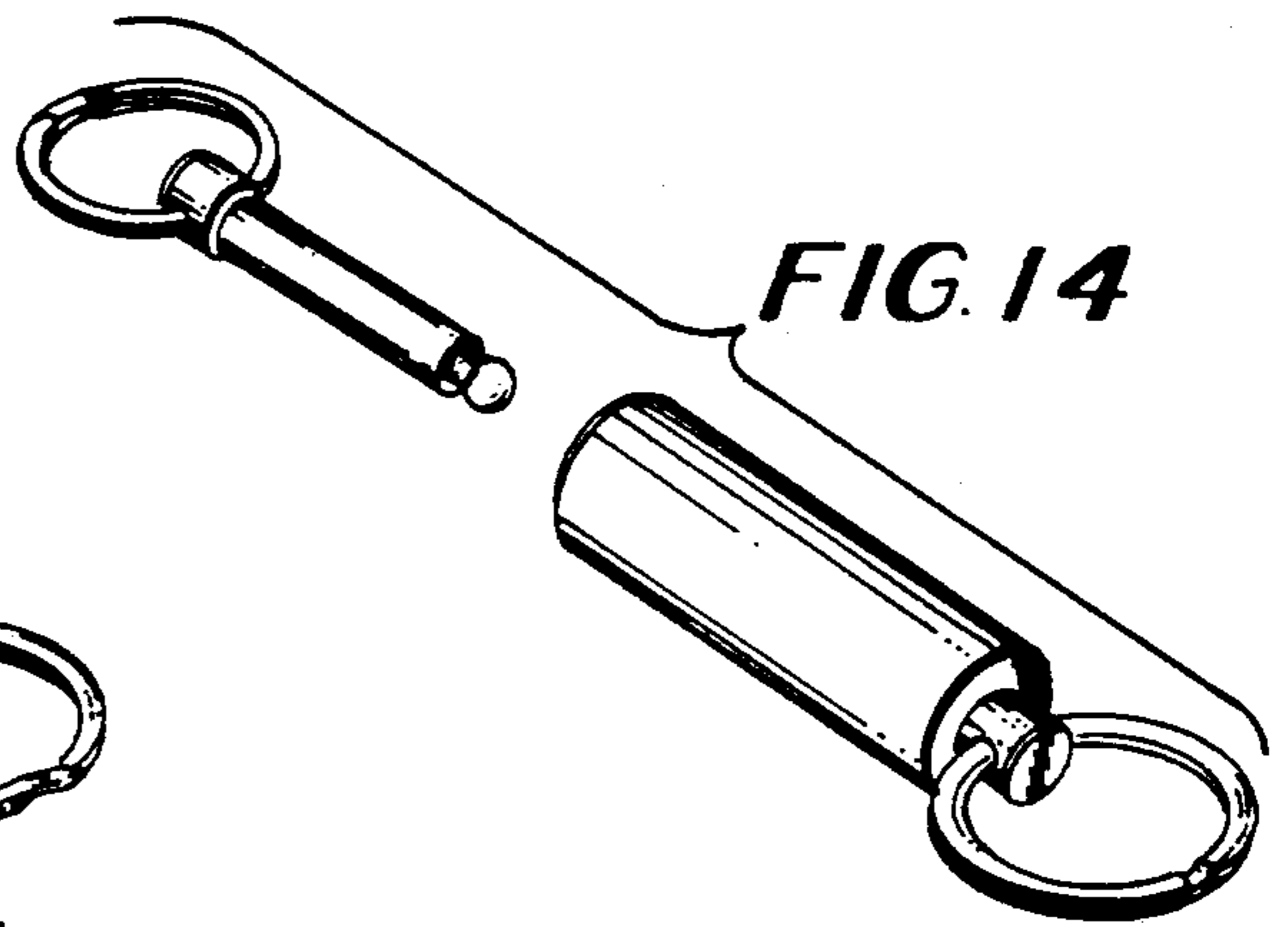


FIG. 14



FIG. 16

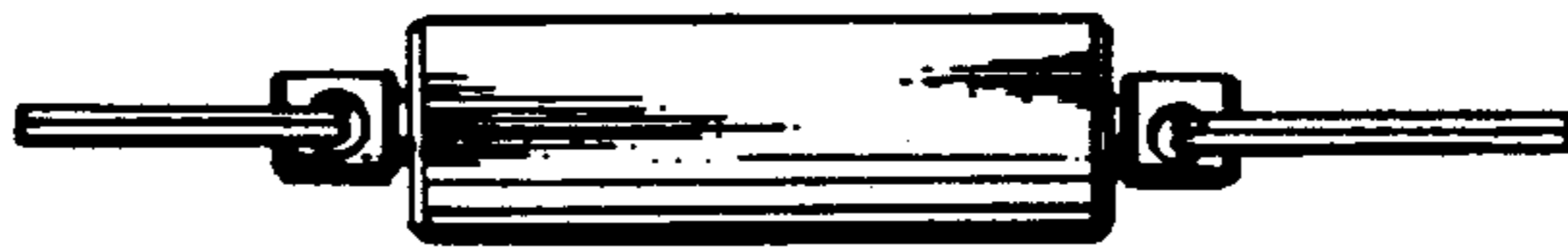


FIG. 15



FIG. 17