

[54] **CAMERA CASE OR THE LIKE**

[75] **Inventor: Rudolph M. Hanke, Monheim, Fed. Rep. of Germany**

[73] **Assignee: Hamaphot KG Hanke & Thomas, Monheim/Bayern, Fed. Rep. of Germany**

[**] **Term: 14 Years**

[21] **Appl. No.: 478,999**

[22] **Filed: Feb. 12, 1990**

[30] **Foreign Application Priority Data**
Dec. 20, 1989 [WO] World Int. Prop. O. DM 015 398

[52] **U.S. Cl. D3/33; D3/30.1; D3/42**

[58] **Field of Search D3/30.1, 31-35, D3/39, 40, 42-44, 48, 66, 70-79, 99, 102, 105, 106; D6/446, 467, 470, 559, 561; D7/605; D12/156-158; D15/81, 88; D19/65, 75, 77, 82, 97; D24/17, 29; 150/113; 190/16, 18A, 109-111, 119; 206/235, 316.1, 316.2, 349, 372, 373, 472, 44 R; 224/32 A, 908; 296/37.6; 312/224, DIG. 32**

[56] **References Cited**

U.S. PATENT DOCUMENTS

D. 135,762	6/1943	Grover	D3/77
D. 206,702	1/1967	Conner et al.	D3/33
D. 246,549	11/1977	Crane	D3/30.1
D. 258,702	3/1981	Weinreb	D3/33
D. 273,535	4/1984	Weinreb	D3/33
D. 276,953	1/1985	Weinreb	D3/33
D. 281,120	10/1985	Rabinowitz	D3/42
D. 294,081	2/1988	Ito	D3/33
2,308,003	1/1943	Gamrod	224/908
3,926,809	12/1975	Klein, Sr.	224/908

FOREIGN PATENT DOCUMENTS

6504639	11/1965	Netherlands	206/316.2
---------	---------	-------------------	-----------

Primary Examiner—A. Hugo Word
Assistant Examiner—Celia A. Murphy
Attorney, Agent, or Firm—Marshall, O'Toole, Gerstein, Murray & Bicknell

[57] **CLAIM**

The ornamental design for a camera case or the like, as shown and described.

DESCRIPTION

FIG. 1 is a perspective view of a camera case or the like showing my new design;
FIG. 2 is a left side elevational view thereof;
FIG. 3 is a right side elevational view thereof;
FIG. 4 is a rear elevational view thereof;
FIG. 5 is a top plan view thereof;
FIG. 6 is a bottom plan view thereof.

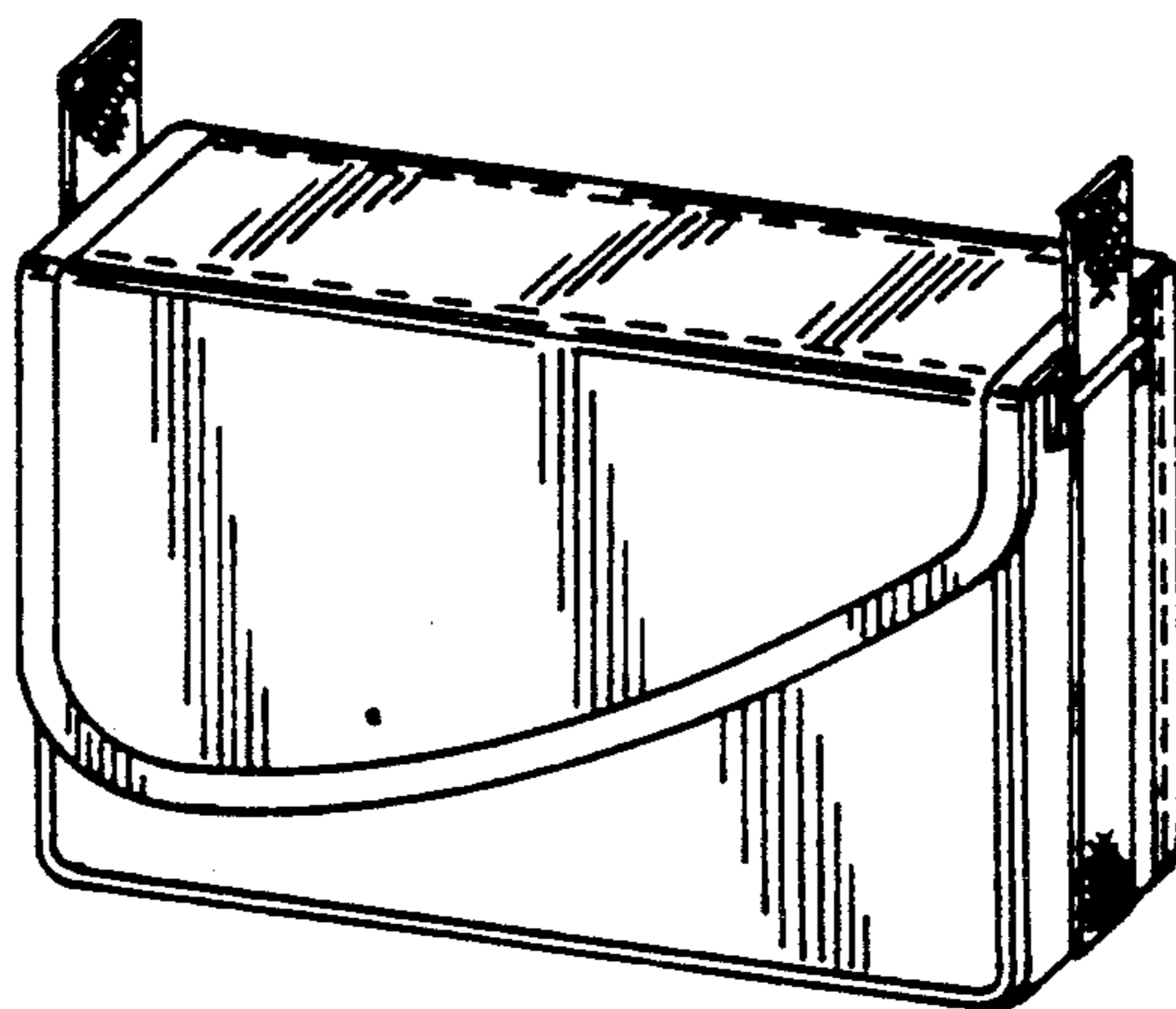


FIG. 1.

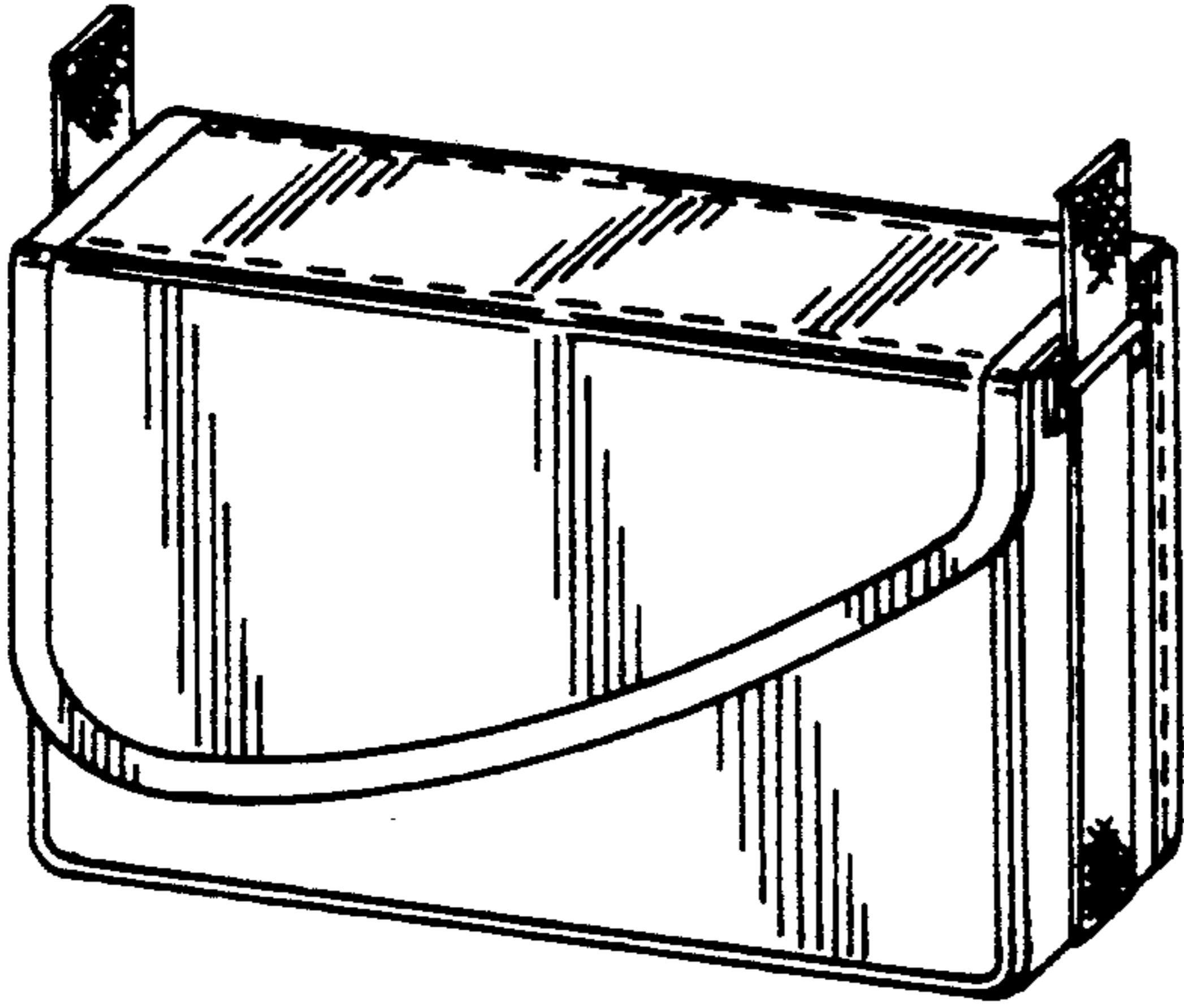


FIG. 2.

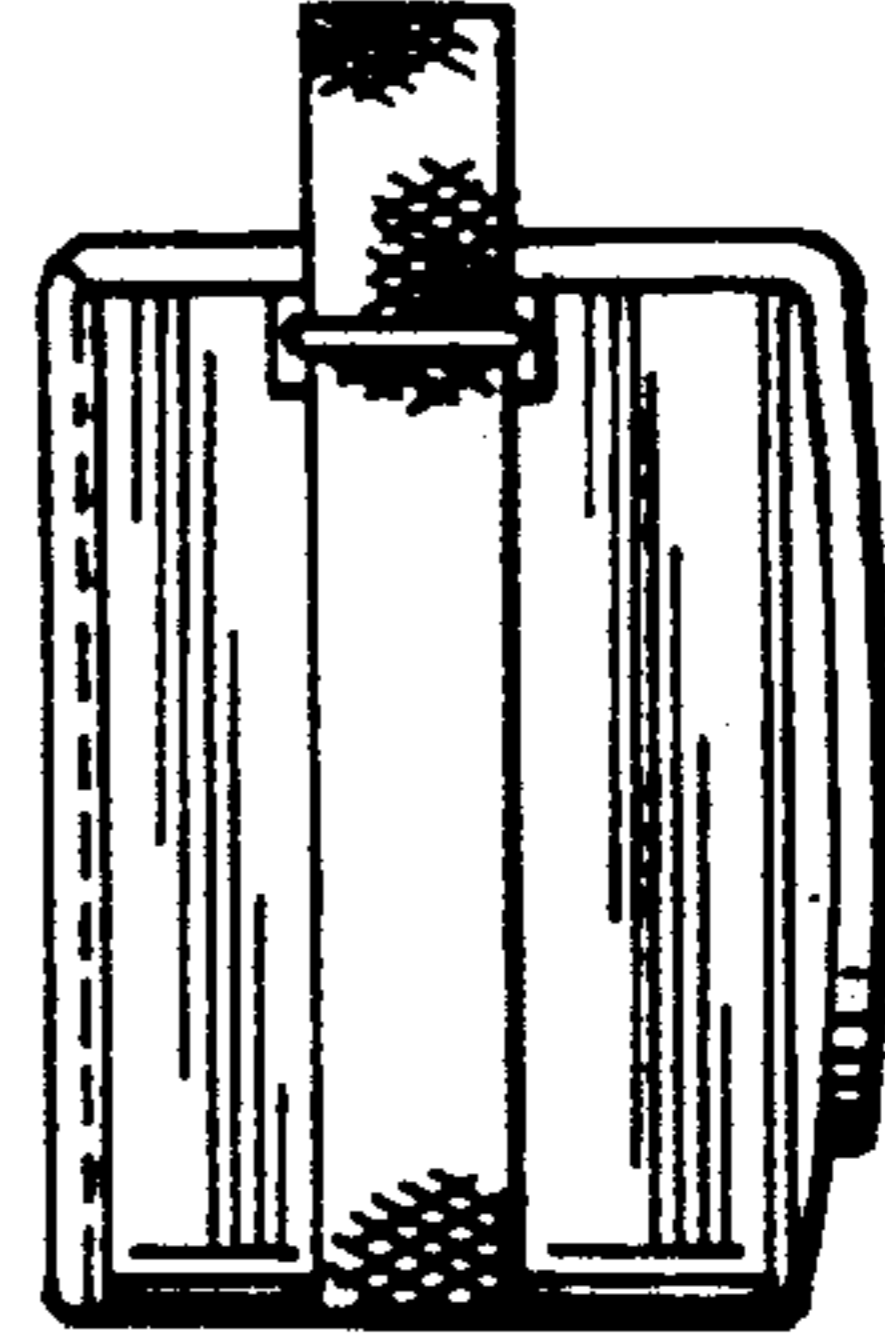


FIG. 3.

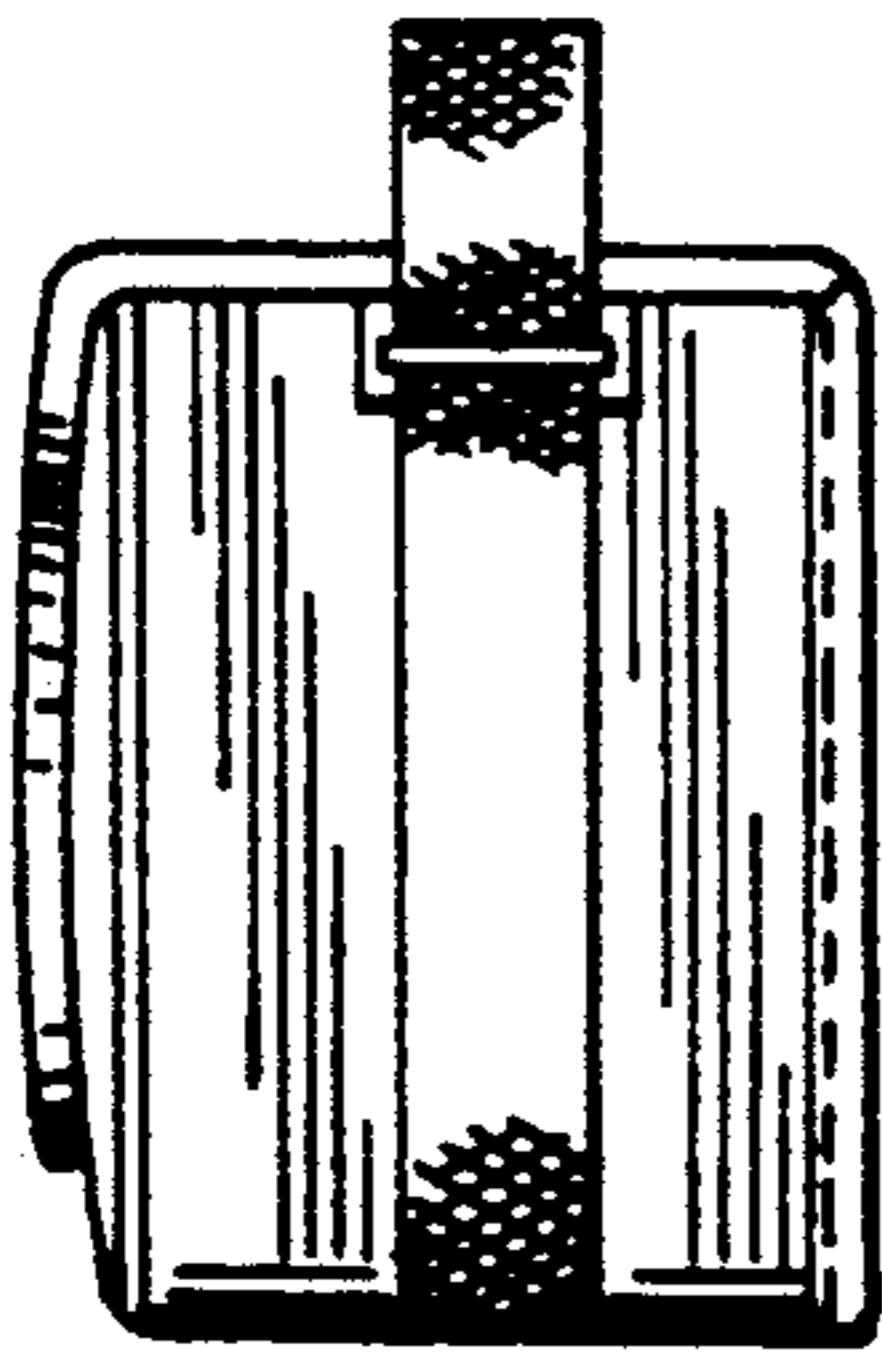


FIG. 4.

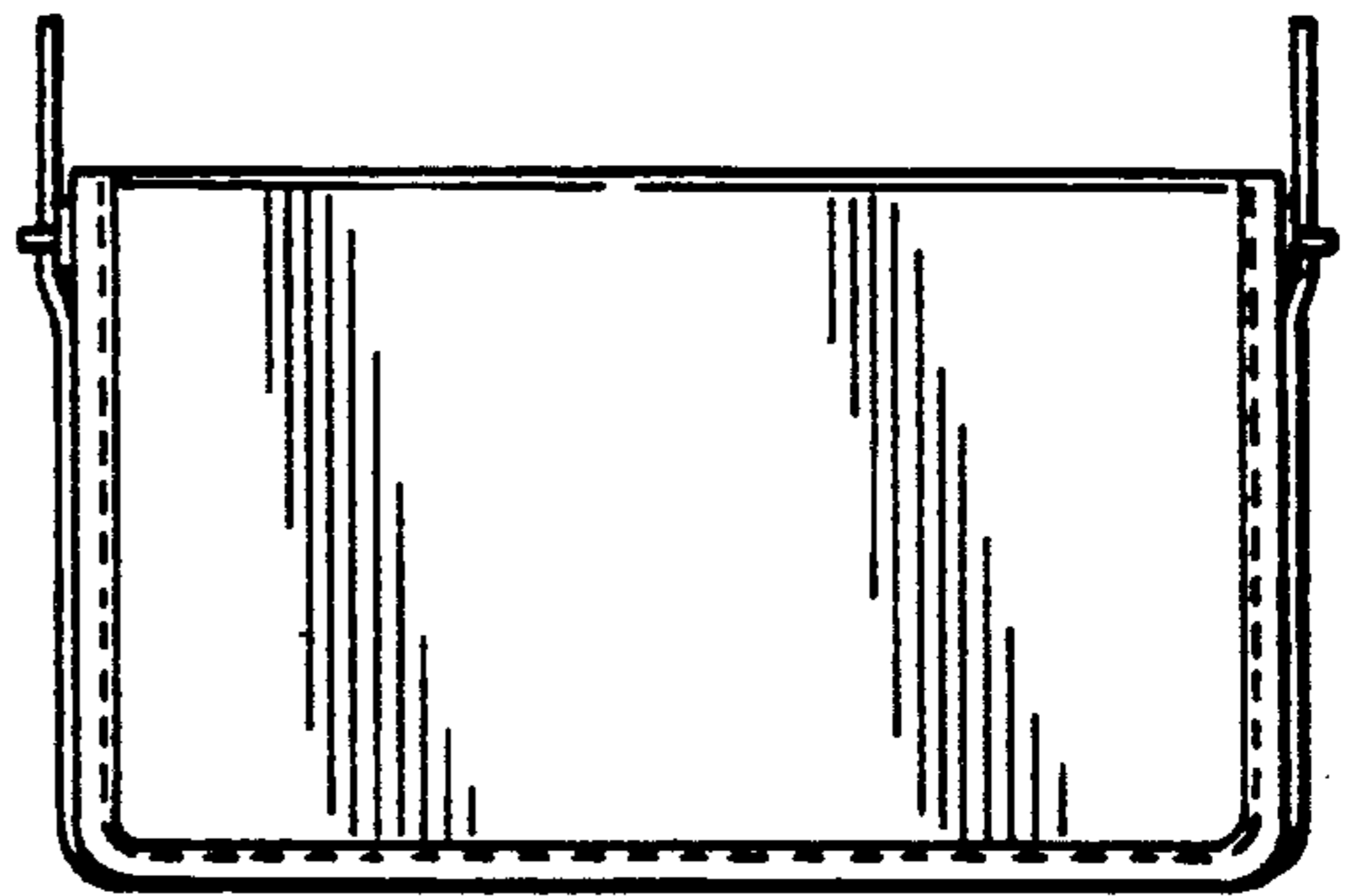


FIG. 5.

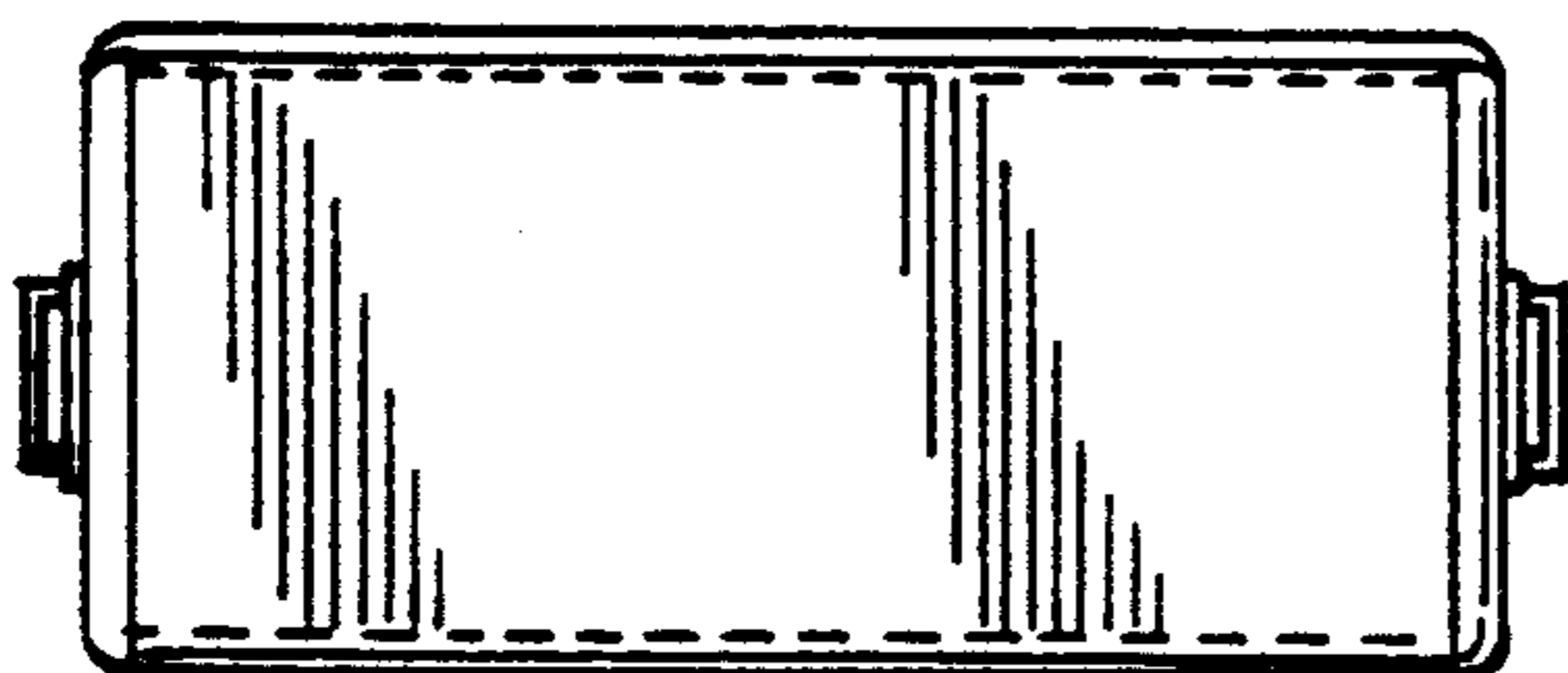


FIG. 6.

