

# United States Patent [19]

DeSantis et al.

[11] Patent Number: **Des. 321,979**

[45] Date of Patent: **\*\* Dec. 3, 1991**

[54] **ILLUMINATED UMBRELLA**

4,600,974 7/1986 Lew et al. .... 362/102

[76] Inventors: **Albert DeSantis**, 1955 NW. 55th Ave., Margate, Fla. 33063; **Arthur Meyers**, 151 E. Palmetto Park Rd., Boca Raton, Fla. 33432

**FOREIGN PATENT DOCUMENTS**

708416 4/1965 Canada ..... 135/20 R

[\*\*] Term: **14 Years**

*Primary Examiner*—Louis S. Zarfes  
*Attorney, Agent, or Firm*—M. K. Silverman

[21] Appl. No.: **7,411**

[57] **CLAIM**

[22] Filed: **Jan. 27, 1987**

The ornamental design for an illuminated umbrella, as shown and described.

[52] U.S. Cl. .... **D3/5**

[58] Field of Search ..... **D3/1-17;**  
D26/38; 362/102; 135/16, 17, 19.5, 20 R, 20 A,  
20 M, 24, 25 R, 33 R, 33 C, 34, 65, 76-81, DIG.  
10

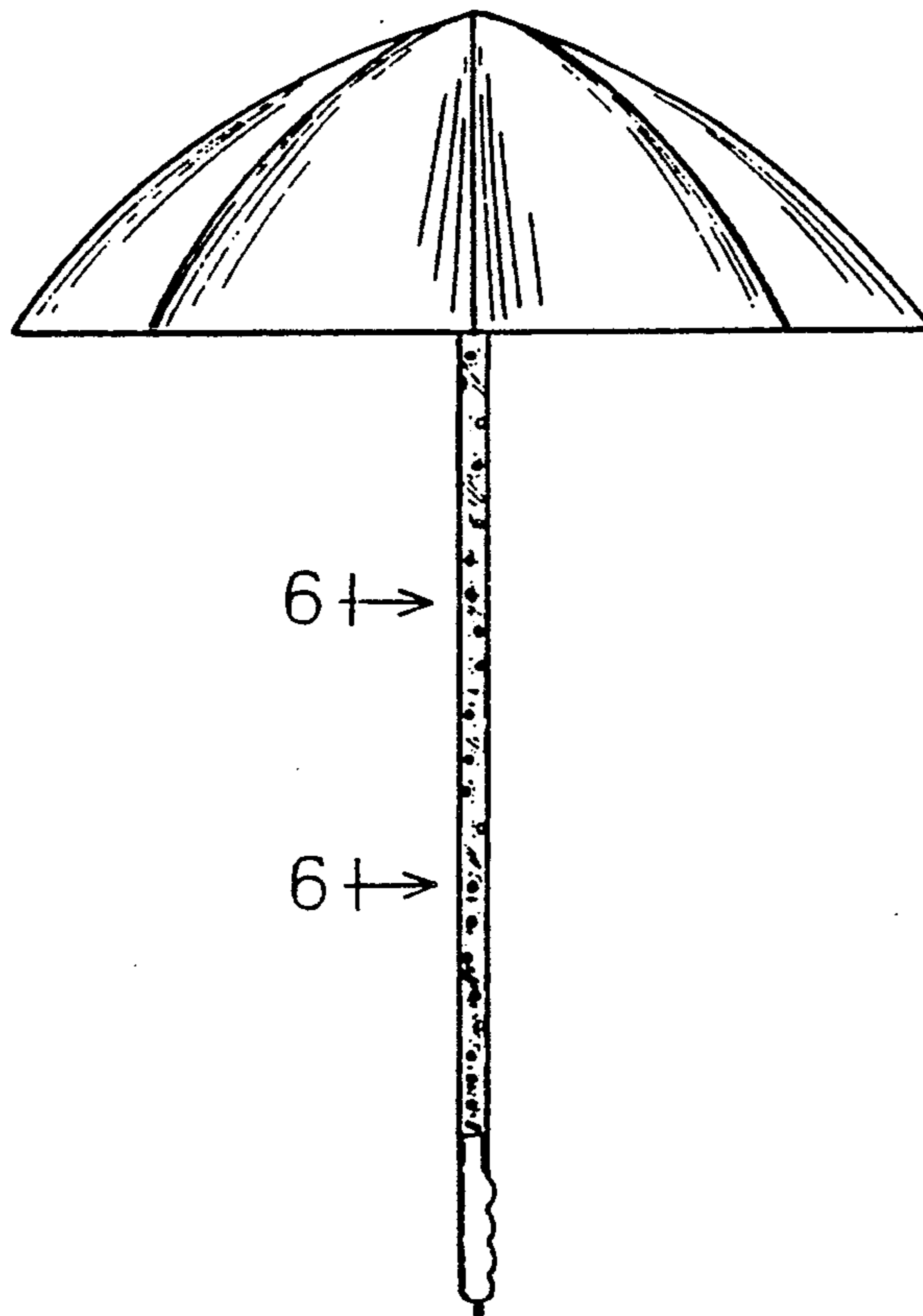
**DESCRIPTION**

FIG. 1 is a top perspective view of an illuminated umbrella showing our new design;  
FIG. 2 is a left side elevational view thereof;  
FIG. 3 is a top plan view thereof;  
FIG. 4 is a right side elevational view thereof;  
FIG. 5 is a bottom plan view thereof; and  
FIG. 6 is an enlarged fragmentary view taken along line 6-6 of FIG. 2.

[56] **References Cited**

**U.S. PATENT DOCUMENTS**

2,372,471 3/1945 Campbell ..... 362/102 X  
3,730,544 5/1973 Hyman ..... 135/65 X



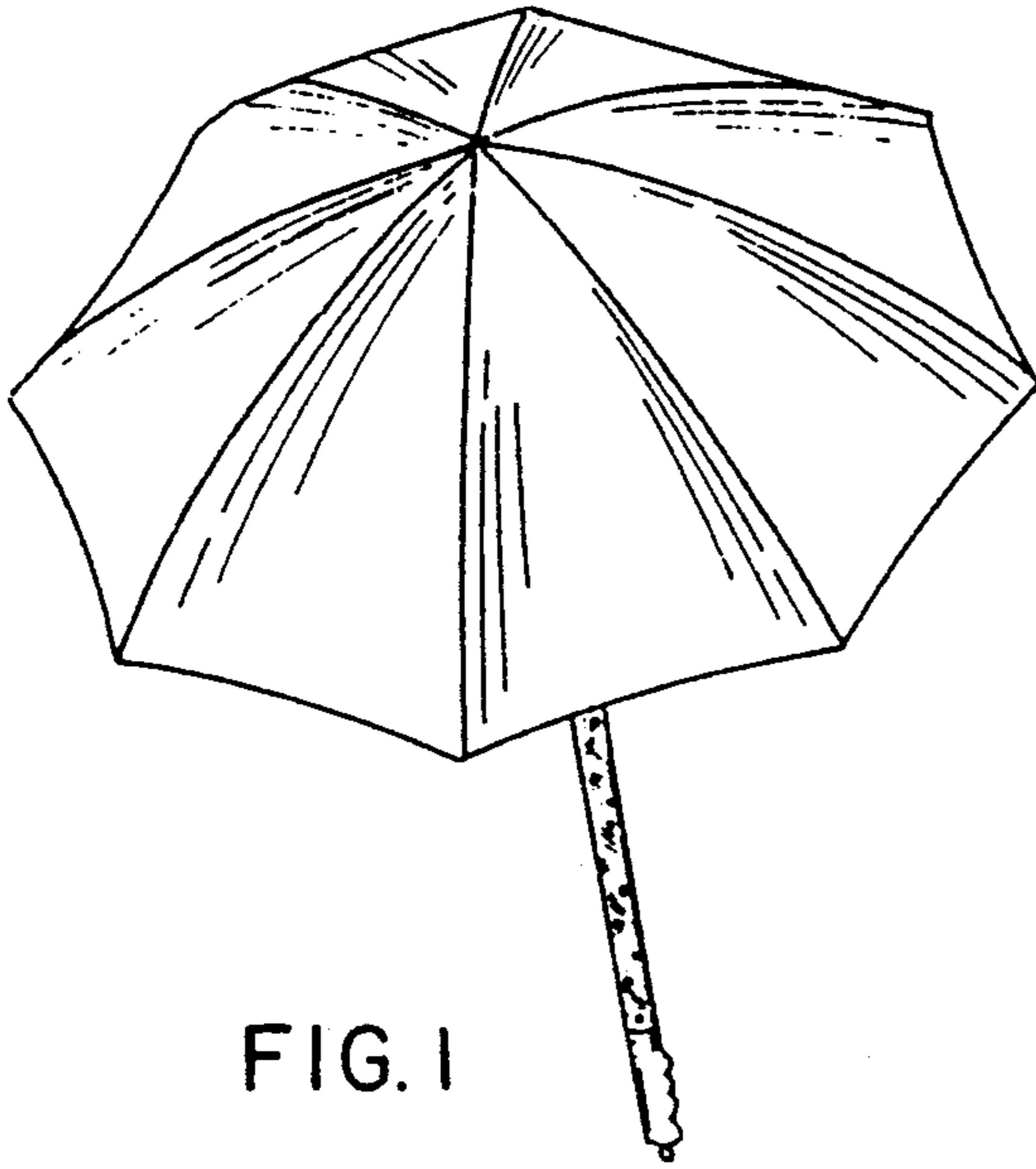


FIG. 1

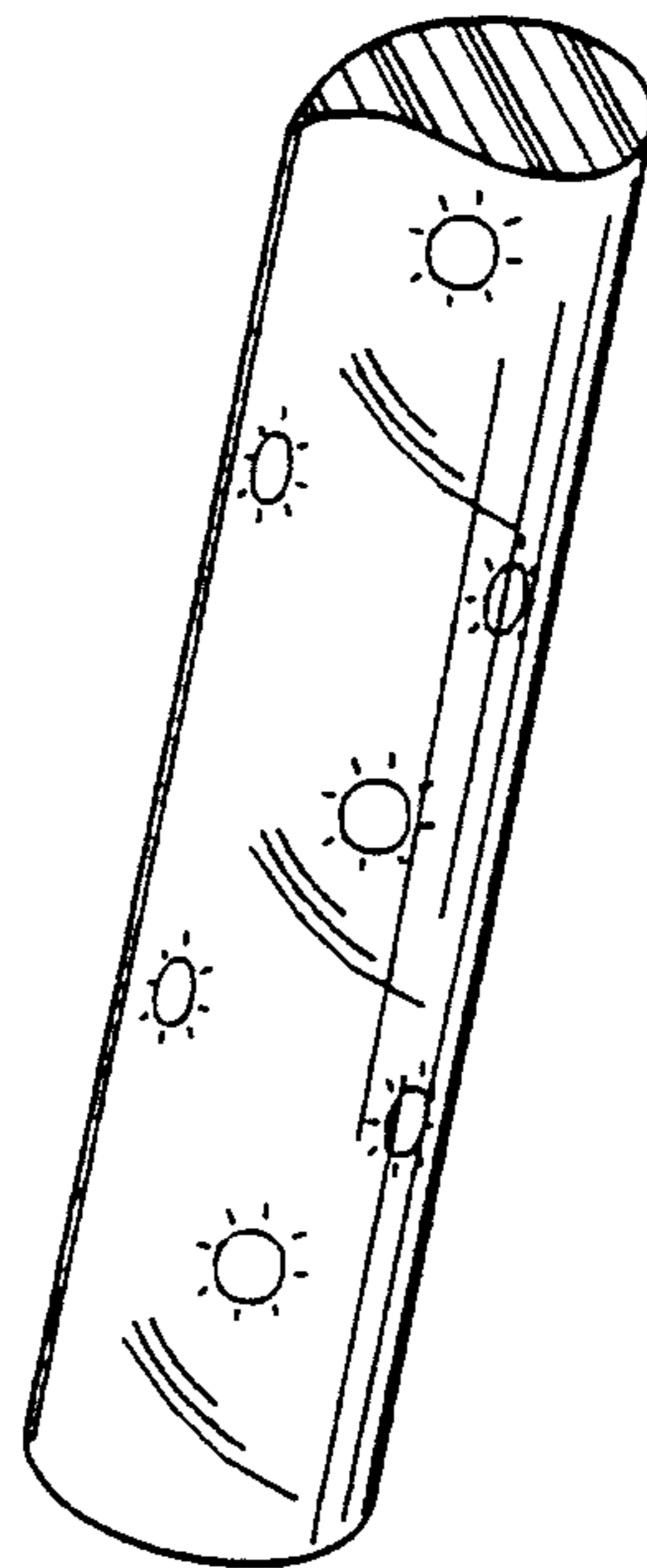


FIG. 6.

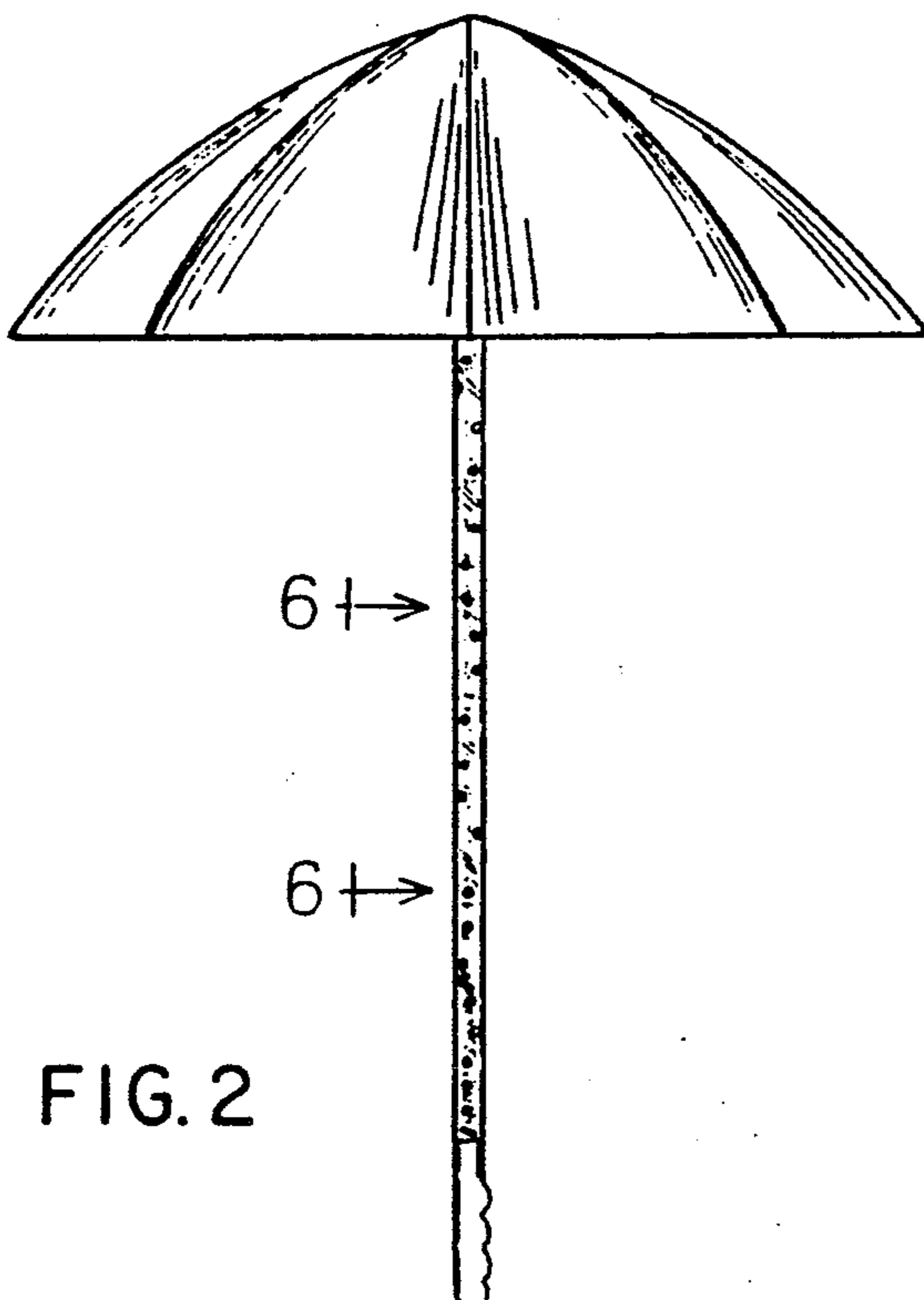


FIG. 2

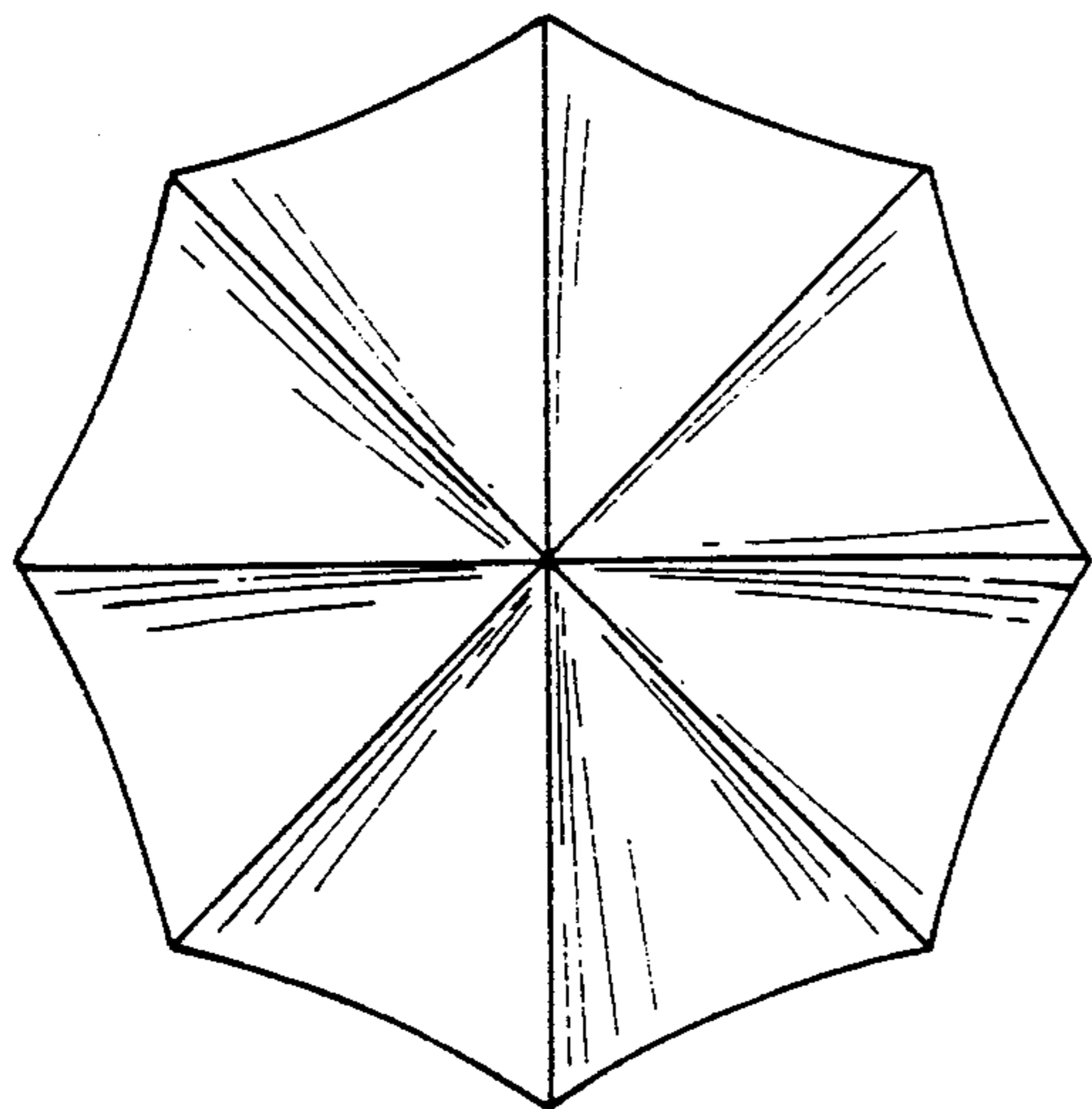


FIG. 3

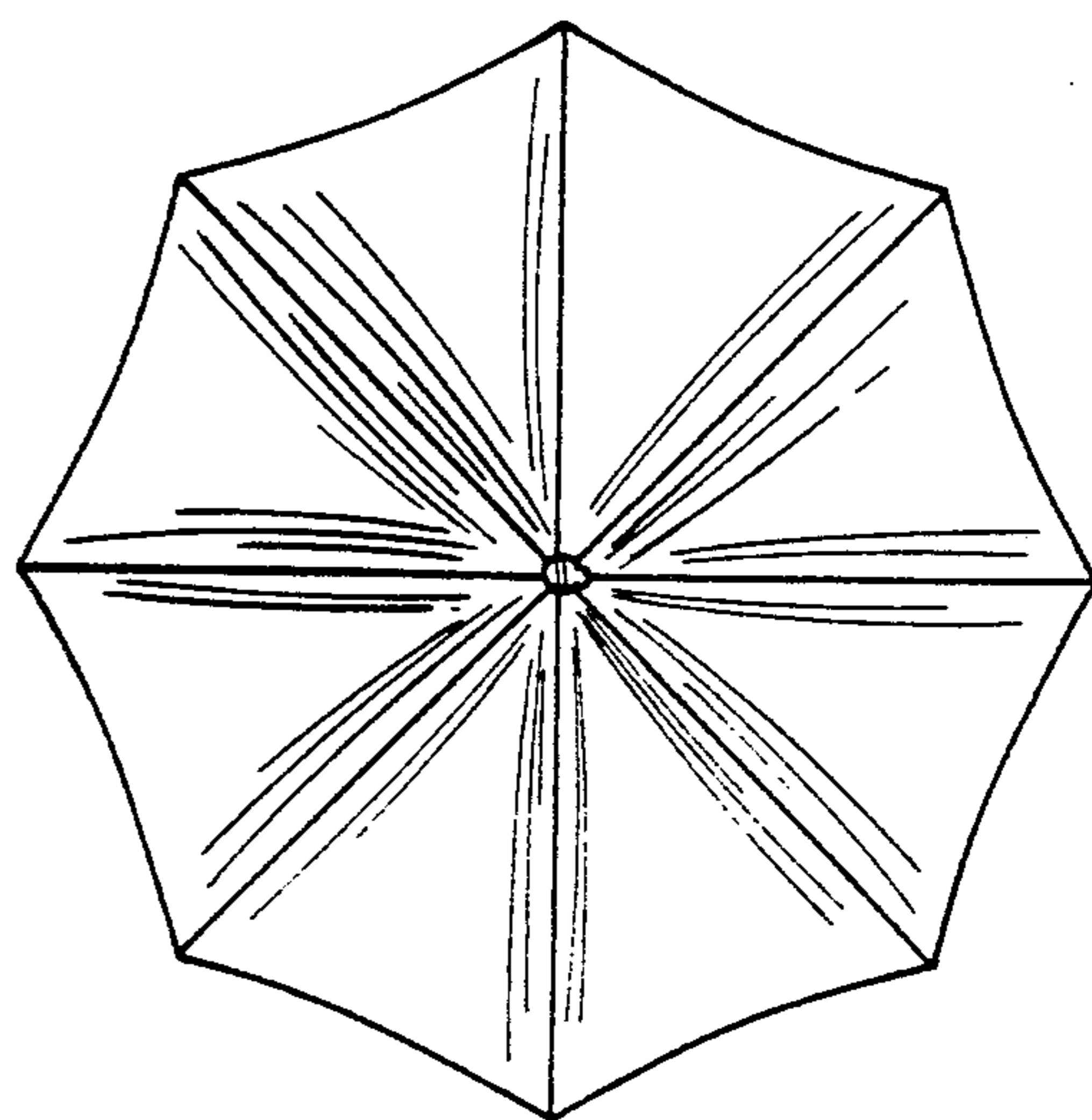


FIG. 5

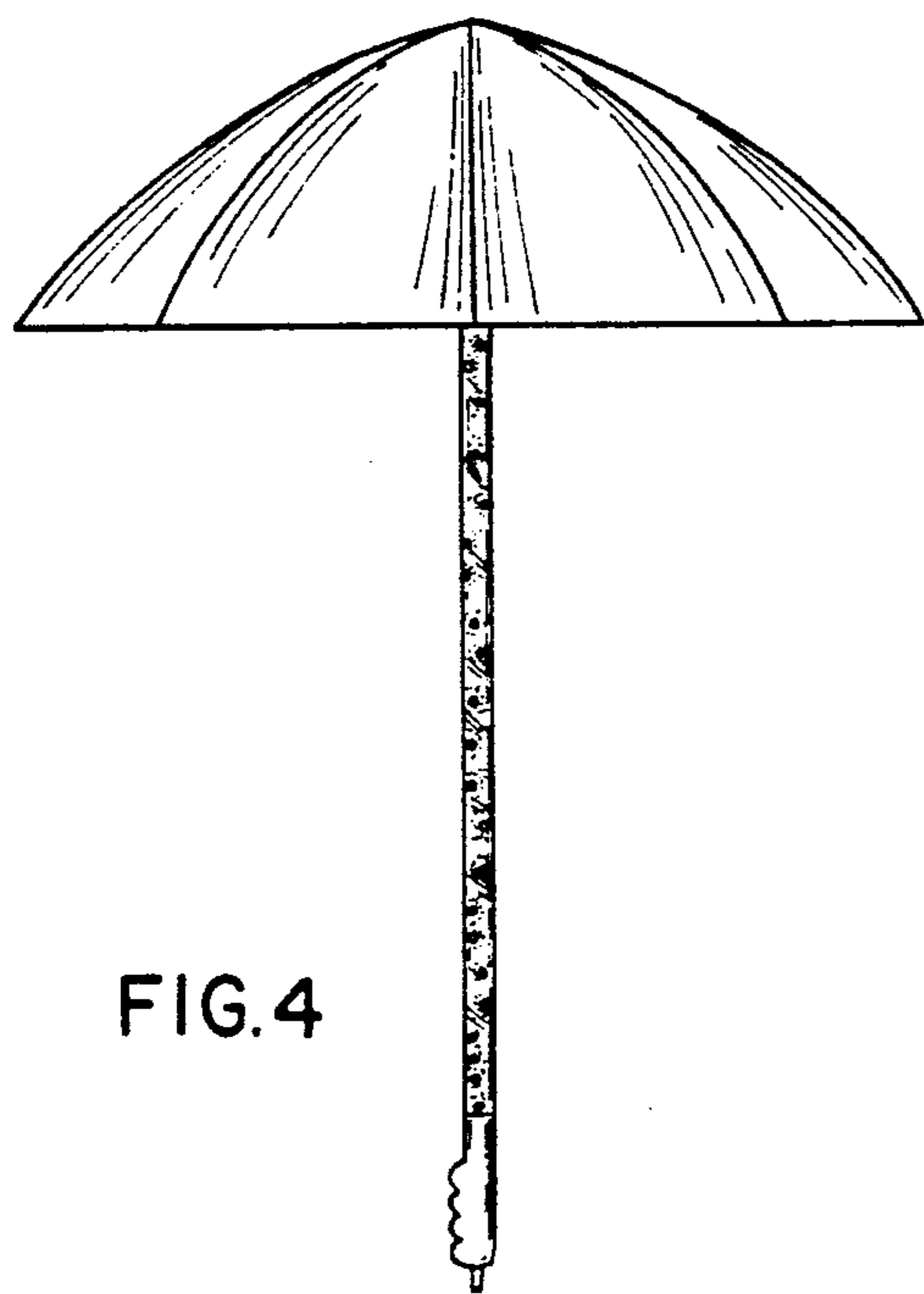


FIG. 4