

[54] STABLE CART LID

[75] Inventor: John M. Fuller, Winchester, Va.

[73] Assignee: Rubbermaid Commercial Products Inc., Winchester, Va.

[\*\*] Term: 14 Years

[21] Appl. No.: 334,127

[22] Filed: Apr. 6, 1989

[52] U.S. Cl. .... D34/27; D34/11

[58] Field of Search ..... D34/27, 12, 1, 11, 7; 220/908, 909, 343

[56] References Cited

U.S. PATENT DOCUMENTS

D. 304,633 11/1989 Taylor ..... D34/11  
4,445,623 5/1984 Kolling et al. .... 220/908

OTHER PUBLICATIONS

Tucker Cat. trash container, (Jan. 1983), p. 6, No. 830 trash container.

Page 23, Rubbermaid Commercial Products Inc., 3124

Valley Ave., Winchester, Va. 22601, publication date 1978.

Primary Examiner—Kay H. Chin  
Attorney, Agent, or Firm—Richard B. O’Planick

[57] CLAIM

The ornamental design for a stable cart lid, as shown and described.

DESCRIPTION

FIG. 1 is a top and rear perspective view of a stable cart lid showing my new design, the broken lines are for illustrative purpose only and form no part of the claimed design;

FIG. 2 is a top plan view thereof.

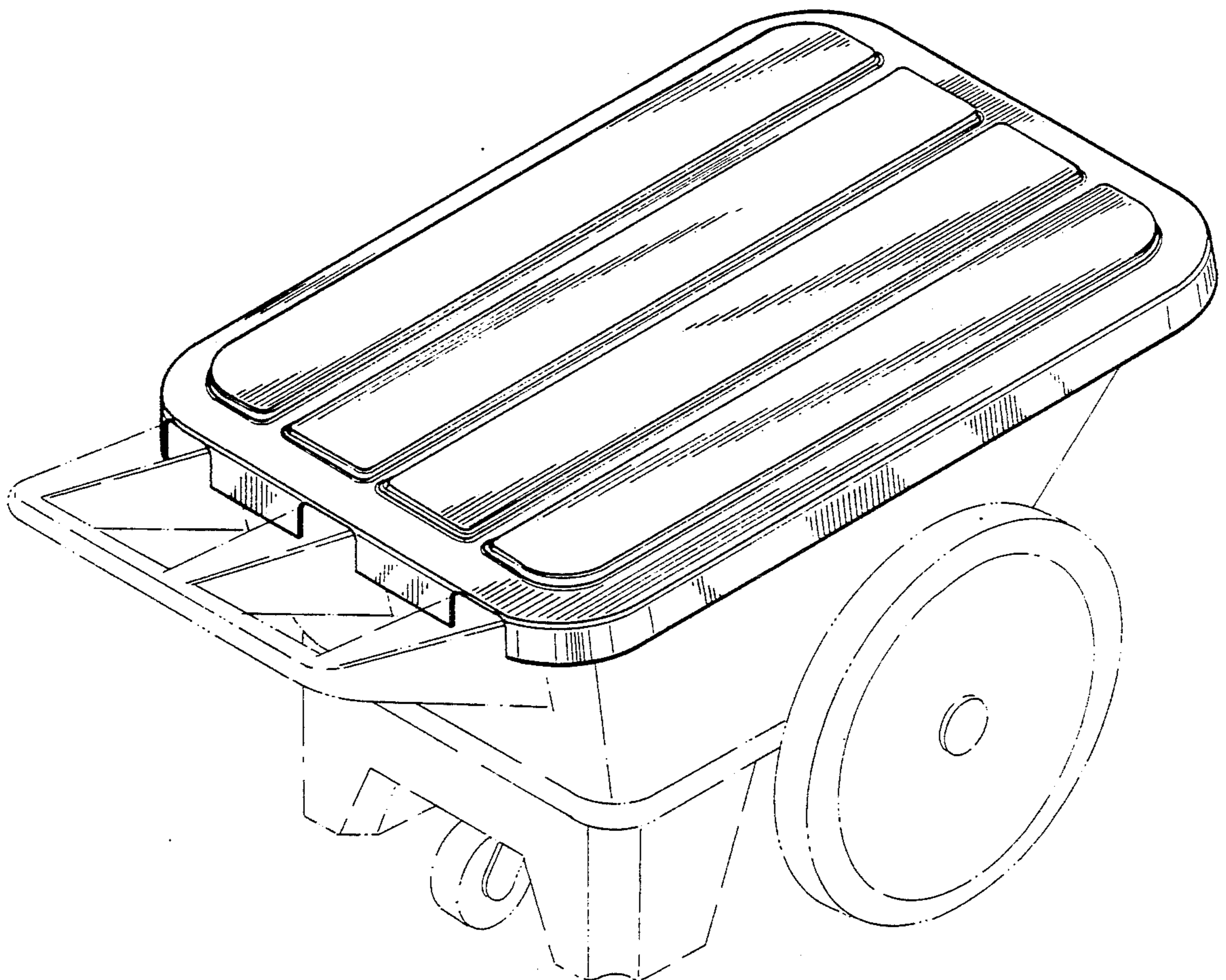
FIG. 3 is a bottom plan view thereof.

FIG. 4 is a front elevational view thereof.

FIG. 5 is a rear elevational view thereof.

FIG. 6 is a side elevational view thereof; the opposite side being a mirror image.

FIG. 7 is a cross sectional view thereof taken along the line 7—7 of FIG. 5.



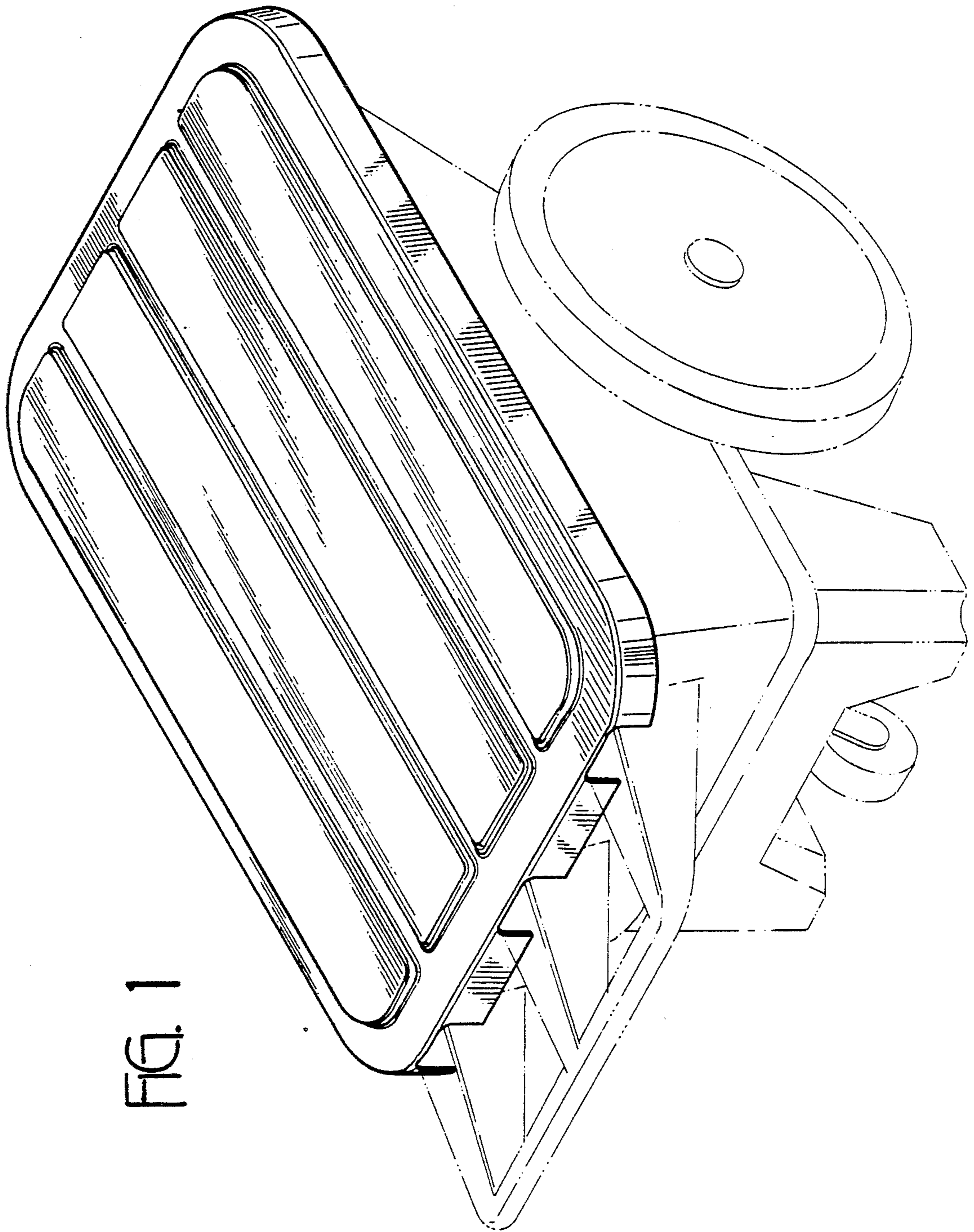


FIG. 1

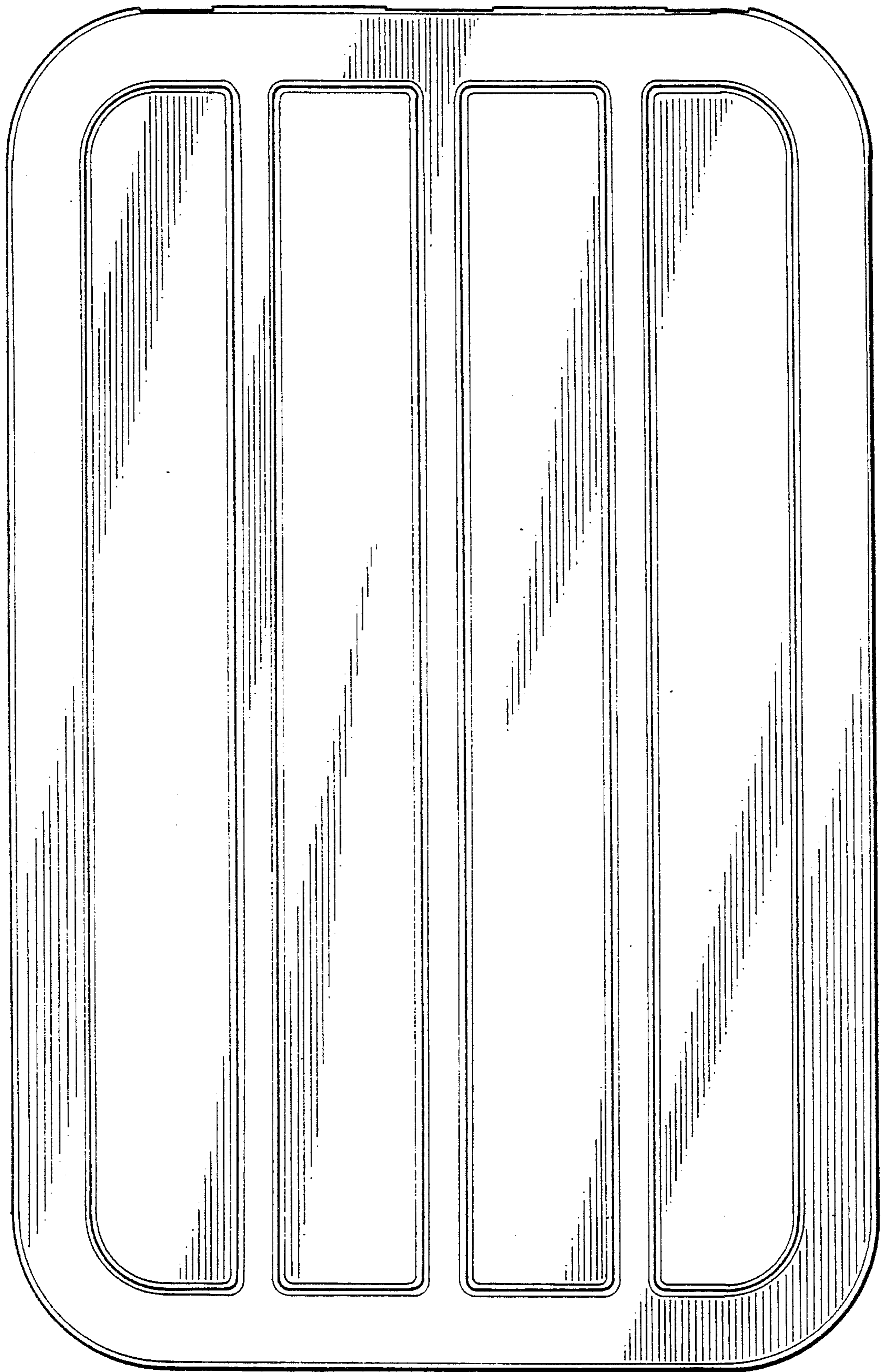


FIG. 2

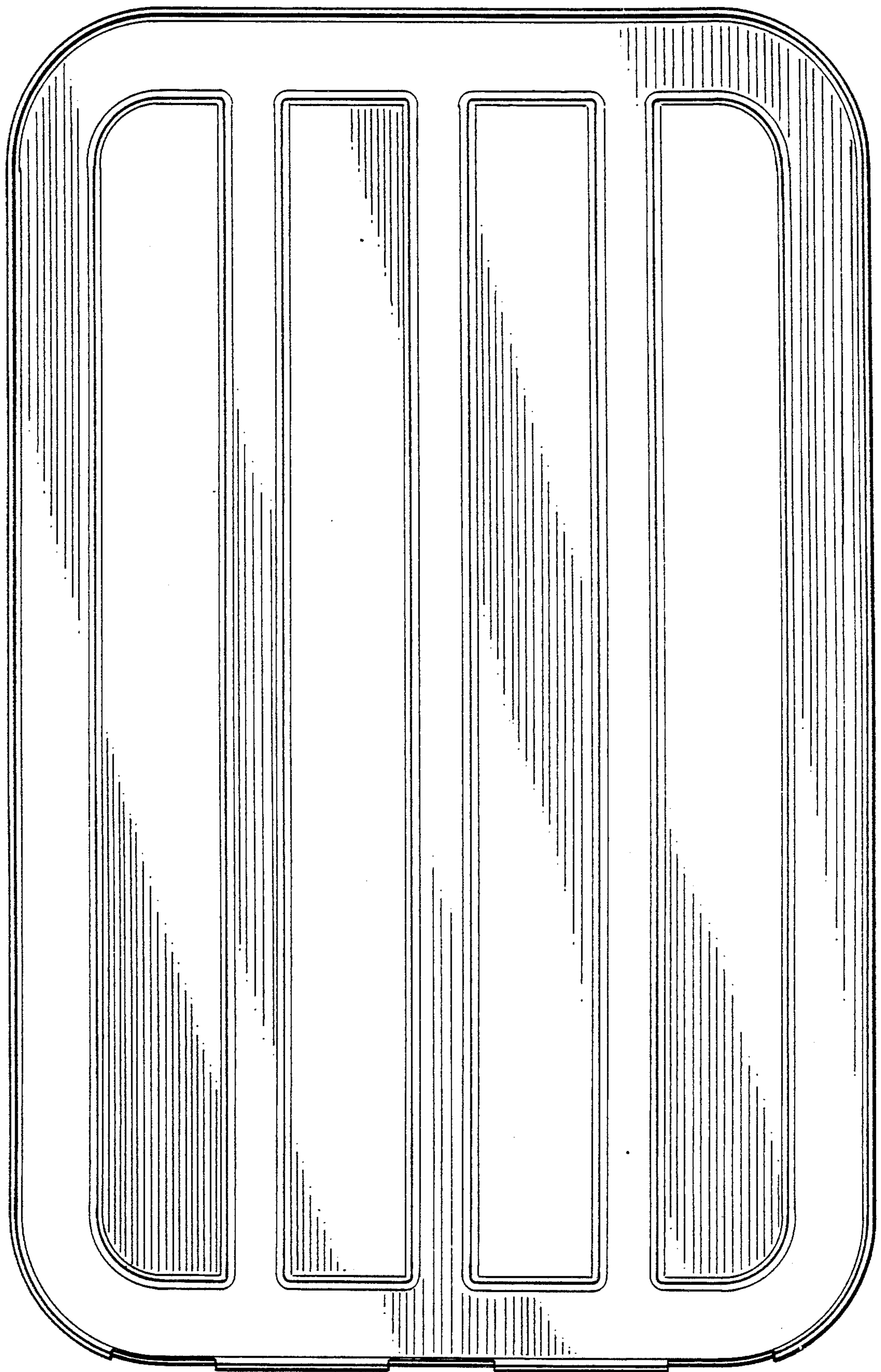


FIG. 3

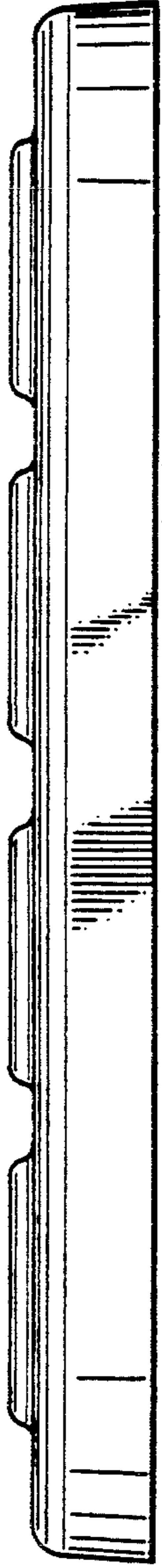


FIG. 4

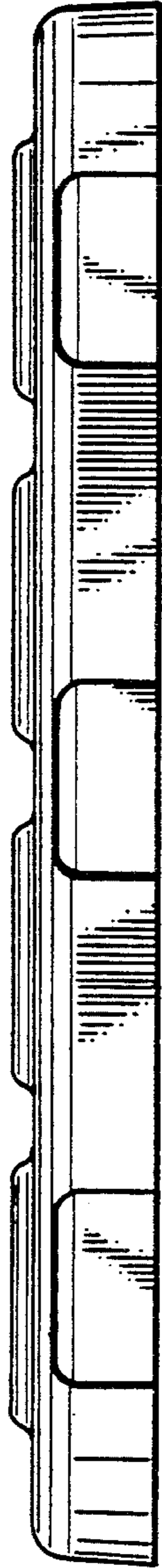


FIG. 5

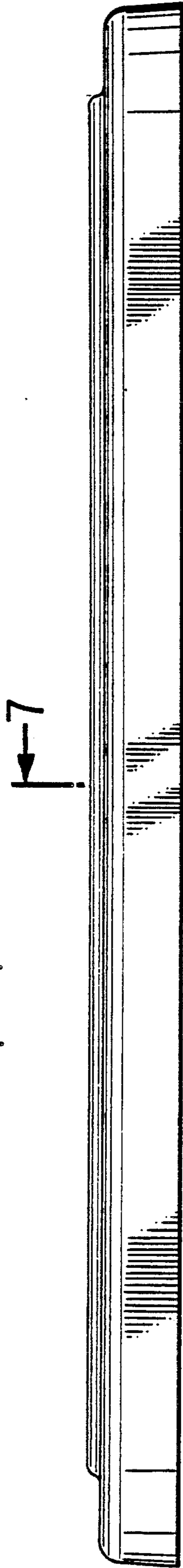


FIG. 6

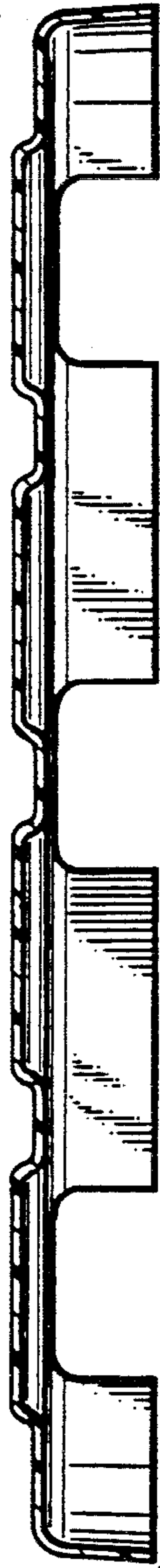


FIG. 7