

[54] **CONTAINER DOLLY**

[75] **Inventors: Paul E. Delmerico; Greg P. Terek,**
 both of Winchester, Va.

[73] **Assignee: Rubbermaid Commercial Products**
 Inc., Winchester, Va.

[**] **Term: 14 Years**

[21] **Appl. No.: 493,239**

[22] **Filed: Mar. 14, 1990**

[52] **U.S. Cl. D34/23; D34/27**

[58] **Field of Search D34/12, 23, 17, 27;**
 220/908, 909; 280/79.2, 79.11, 79.3; 248/129

[56] **References Cited**

U.S. PATENT DOCUMENTS

D. 251,833	5/1979	Maza et al. .	
D. 256,902	9/1980	Maza et al. .	
D. 257,721	12/1980	Maza et al. .	
D. 257,767	1/1981	Maza et al. .	
D. 257,823	1/1981	Maza et al. .	
926,288	6/1909	Rice .	
1,525,242	2/1925	Jagschitz .	
2,689,469	9/1954	Happe et al. .	
2,707,351	5/1955	Walker	280/79.2
2,947,548	8/1960	Bard	280/79.2

FOREIGN PATENT DOCUMENTS

506025	9/1954	Canada .
2264595	5/1974	Fed. Rep. of Germany .
681259	1/1930	France .
154659	5/1956	Sweden .

OTHER PUBLICATIONS

Sell Sheet, White, 10770 N. 46th St., P.O. Box 16647,
 Tampa, Fla. 33687. Publication date Jun. 1, 1988.

Primary Examiner—Kay H. Chin
Attorney, Agent, or Firm—Richard B. O'Planick

[57] **CLAIM**

The ornamental design for a container dolly, as shown
 and described.

DESCRIPTION

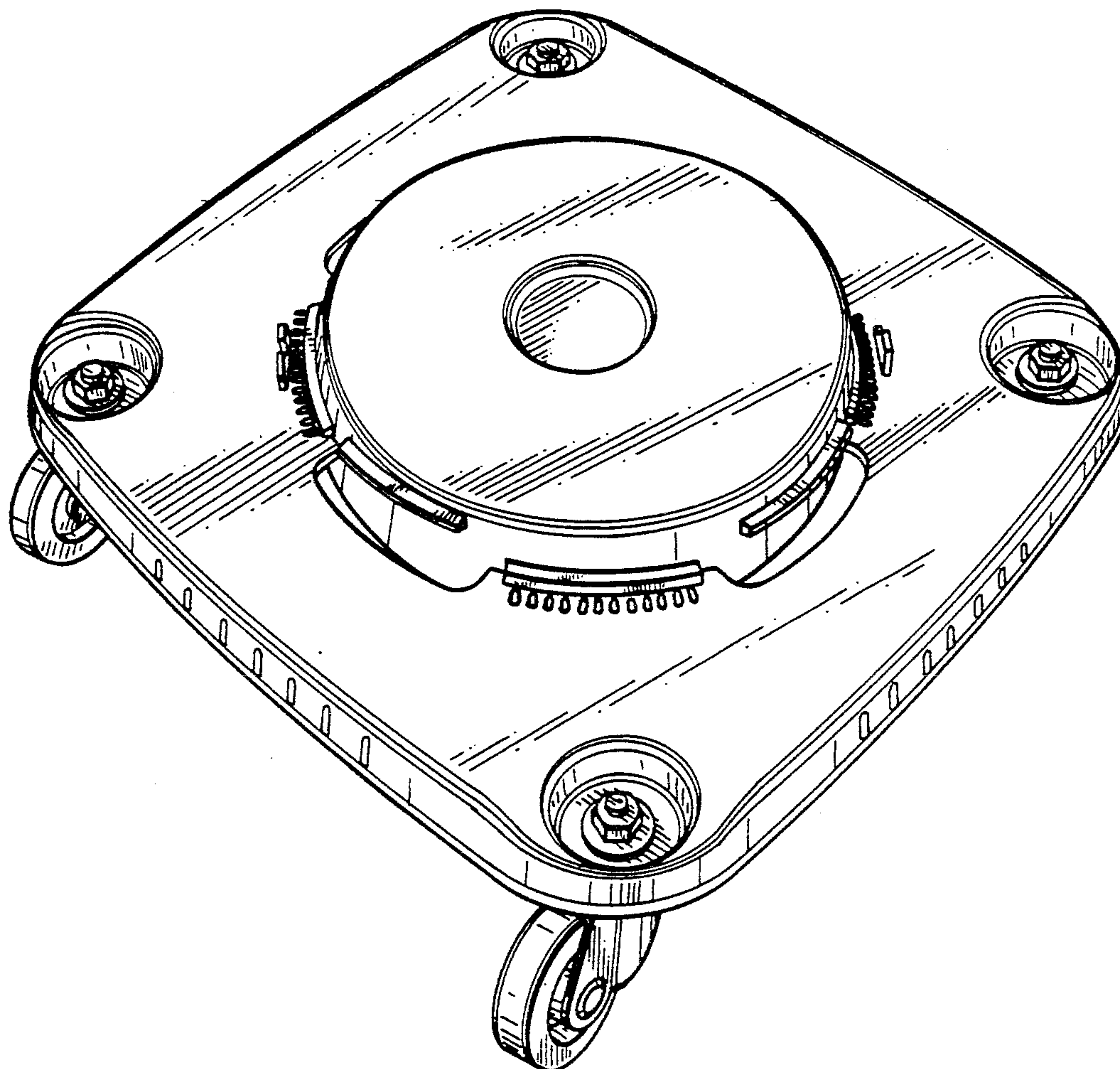
FIG. 1 is a front perspective view of a container dolly
 showing our new design.

FIG. 2 is a top plan view thereof.

FIG. 3 is a bottom plan view thereof.

FIG. 4 is a front elevational view thereof; the rear ele-
 vation view being a mirror image.

FIG. 5 is a left side elevational view thereof; the oppo-
 site side being a mirror image.



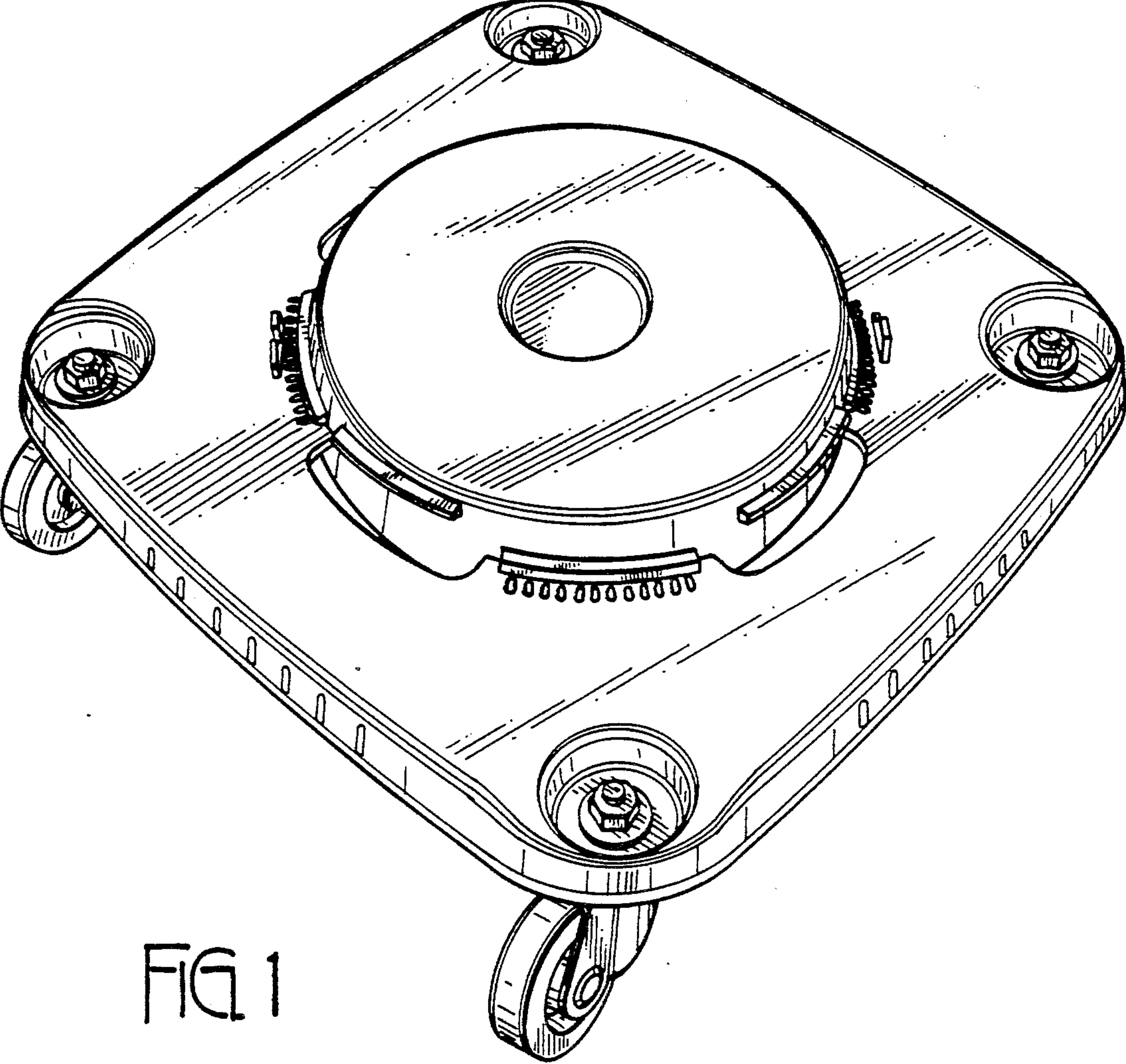


FIG 1

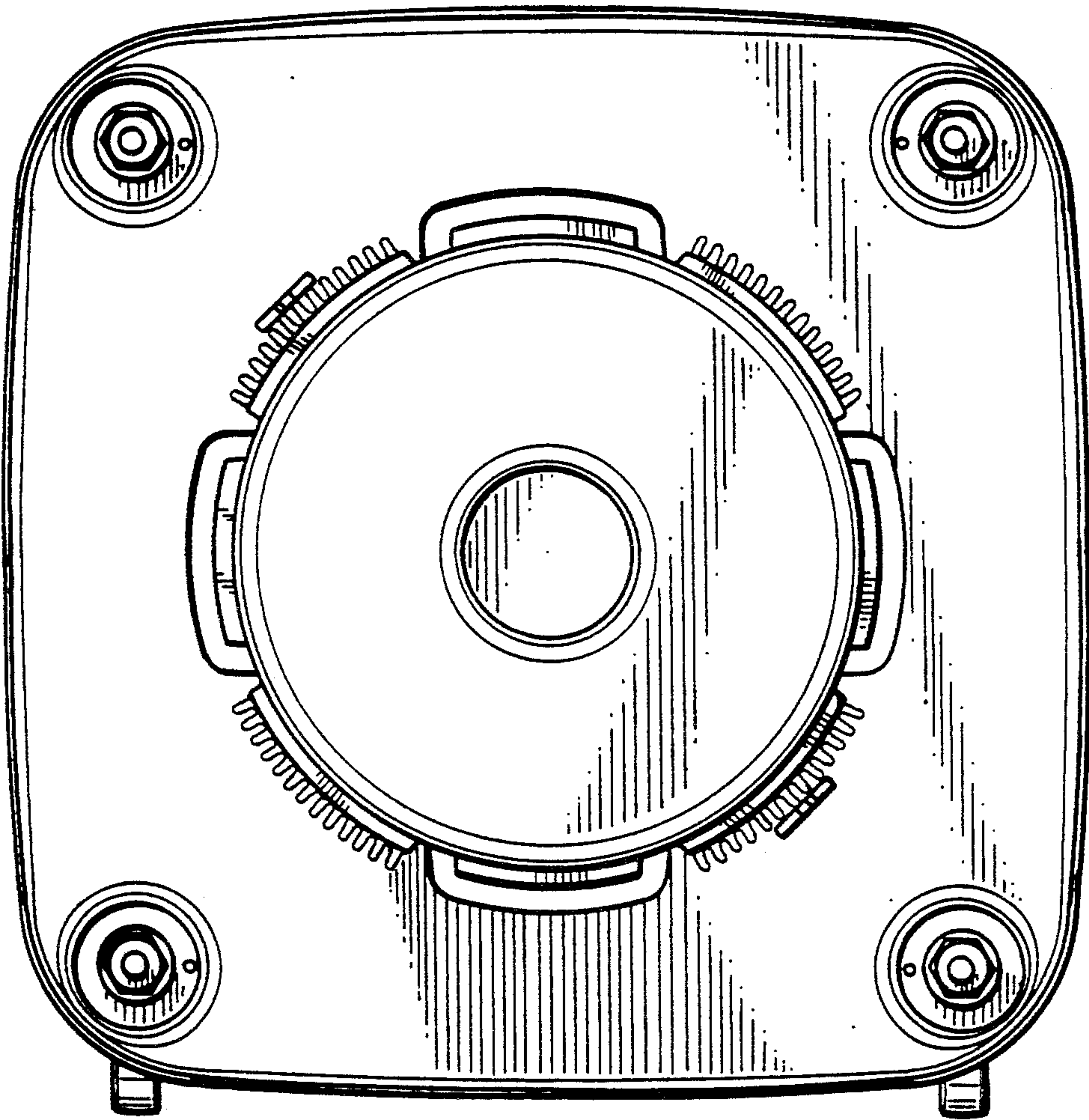


FIG. 2

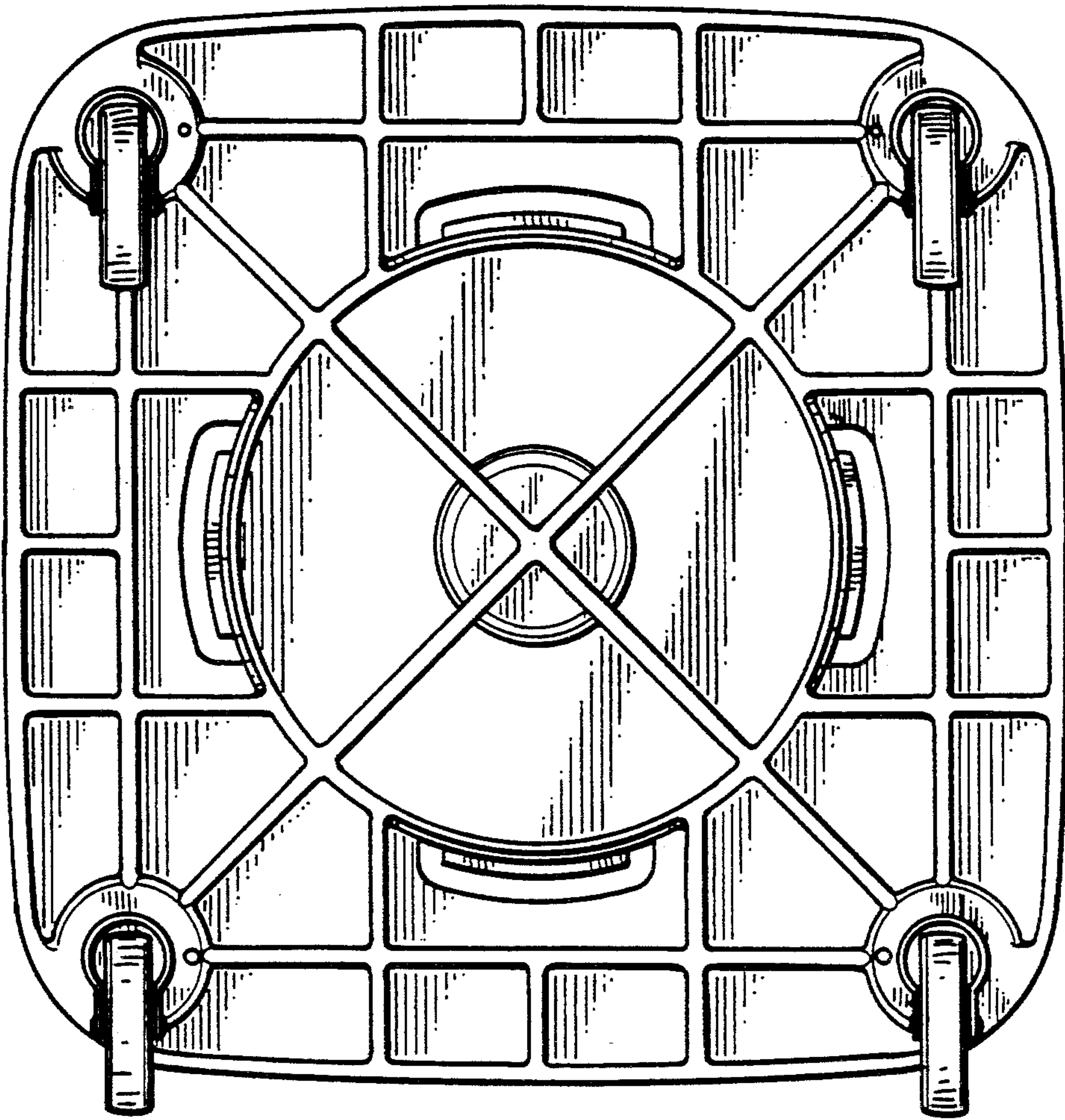


FIG. 3

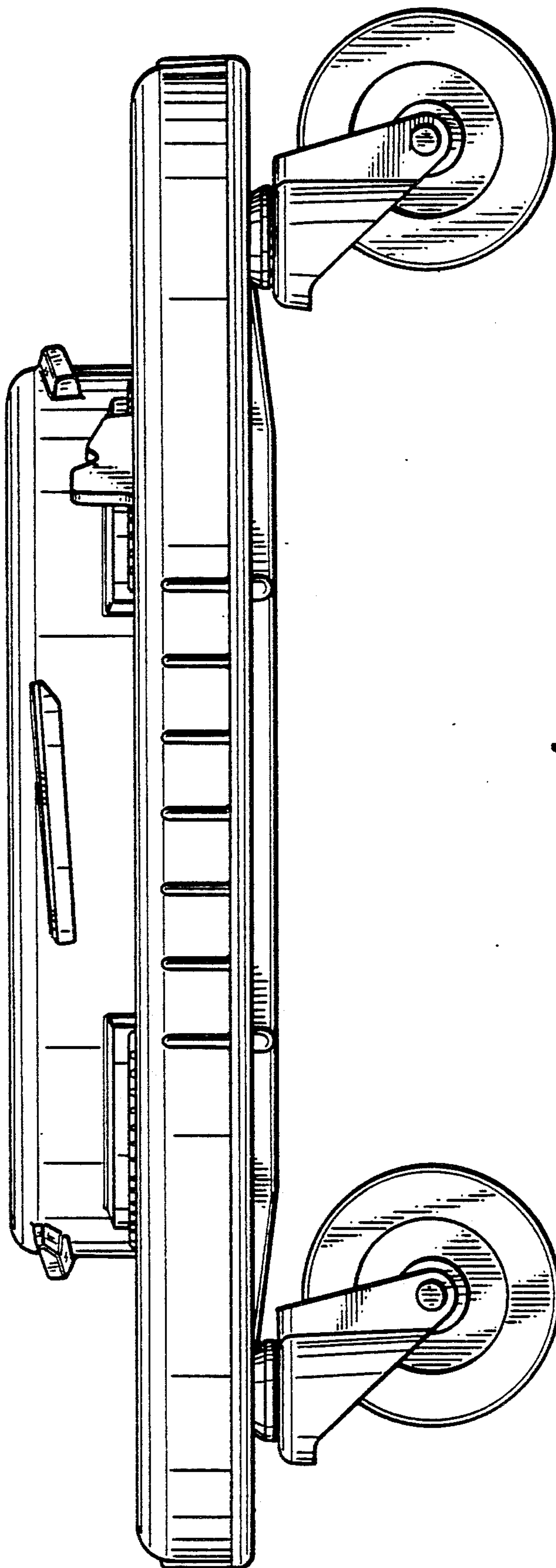


FIG. 4

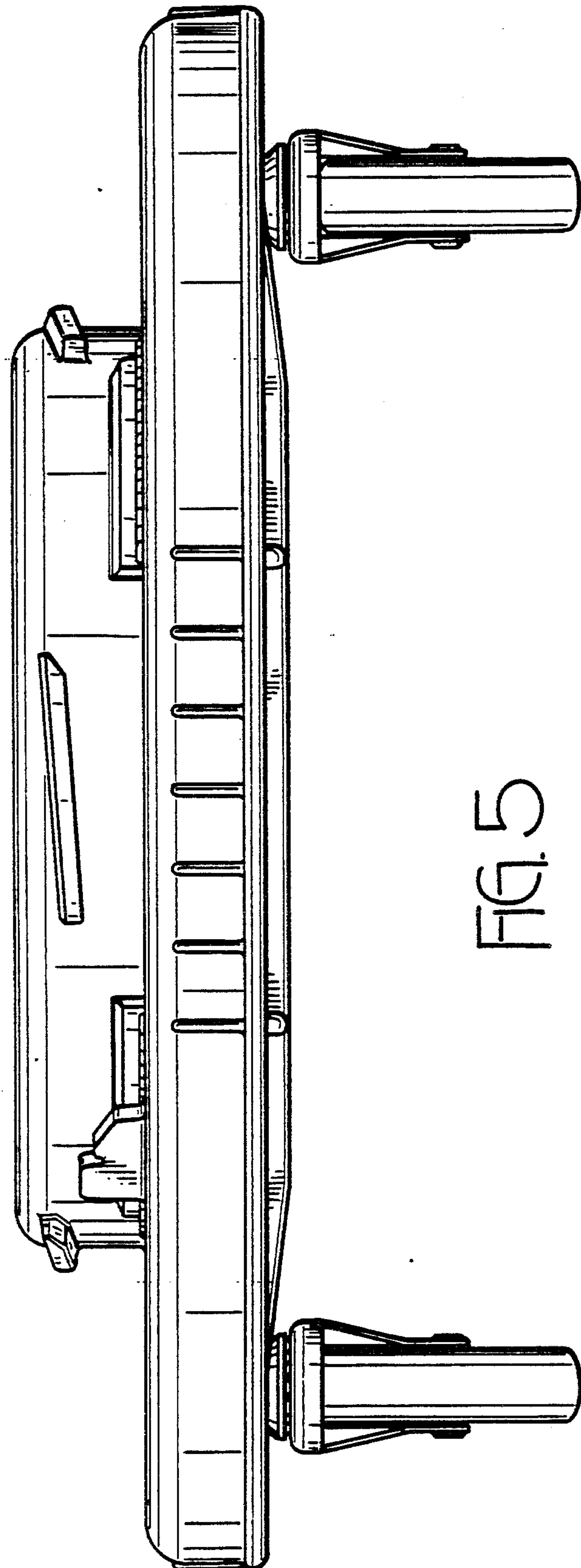


FIG. 5