

[54] HANDLE INTERCONNECT BRACKET FOR SCOOPS USED TO CLEAN SWIMMING POOLS

[75] Inventor: Stephen B. Nicholas, Magill, Australia

[73] Assignee: Magnor Pty. Limited, Norwood, Australia

[\*\*] Term: 14 Years

[21] Appl. No.: 301,998

[22] Filed: Jan. 25, 1989

[30] Foreign Application Priority Data

Nov. 22, 1988 [AU] Australia ..... 3908/88  
 [52] U.S. Cl. .... D32/35; D8/373  
 [58] Field of Search ..... D8/354-355,  
 D8/373, 382, 394, 396; D32/25, 35; 15/1.7, 144  
 R, 144 B; 210/169, 242.1, 416.2; 403/57-58,  
 157

[56] References Cited

U.S. PATENT DOCUMENTS

1,678,422	7/1928	Dugdill .....	403/57 X
3,547,458	12/1970	Price .....	403/157 X
4,096,787	6/1978	Sandau et al. ....	403/157 X
4,583,960	4/1986	Joyner .....	403/57 X
4,766,980	8/1988	Engle .....	403/157 X

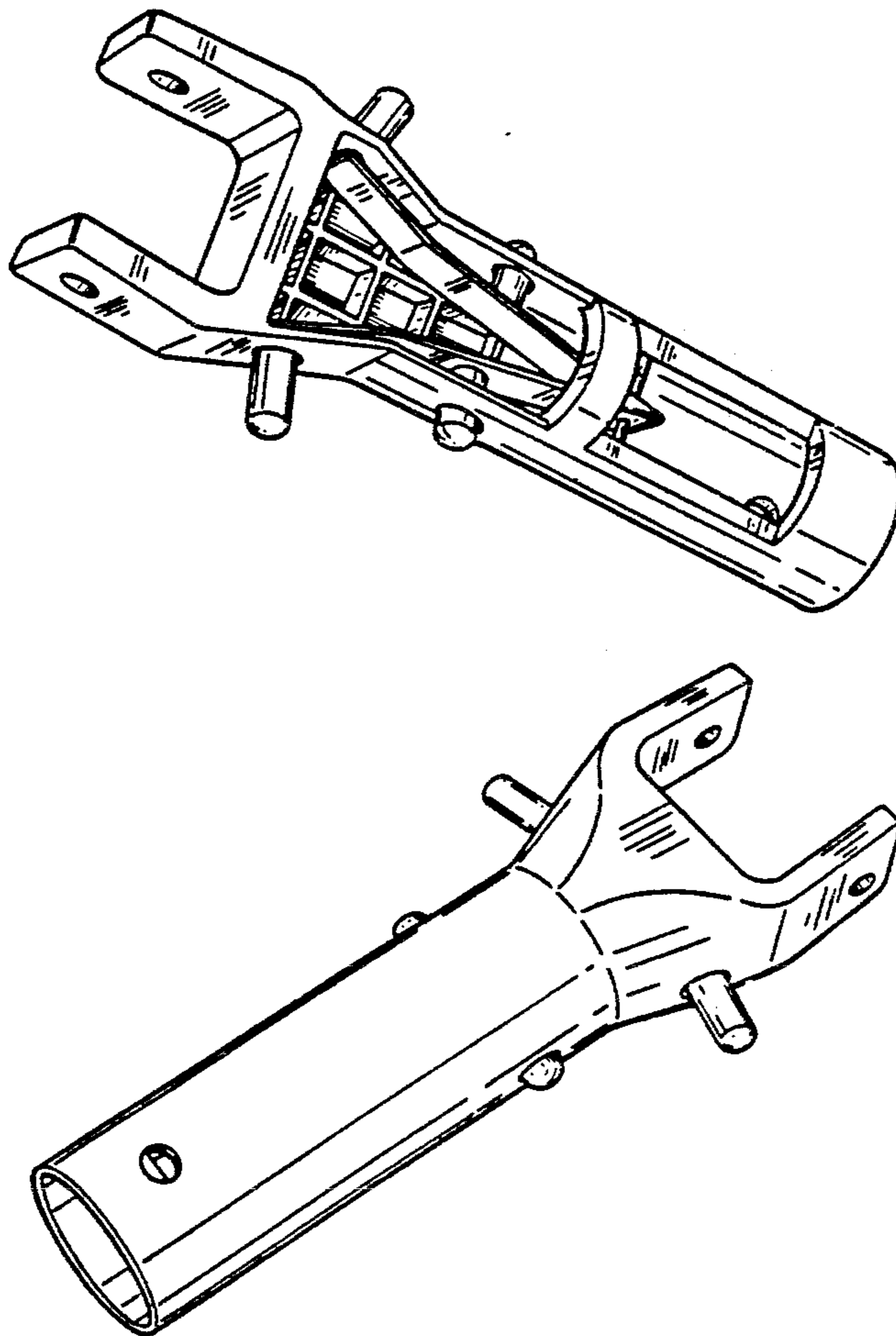
Primary Examiner—Wallace R. Burke  
 Assistant Examiner—Lavone D. Tabor  
 Attorney, Agent, or Firm—Oldham & Oldham Co.

[57] CLAIM

The ornamental design for a handle interconnect bracket for scoops used to clean swimming pools, as shown and described.

DESCRIPTION

FIG. 1 is a top perspective view of a handle interconnect bracket for scoops used to clean swimming pools showing my new design;  
 FIG. 2 is a bottom perspective view thereof;  
 FIG. 3 is a top plan view thereof;  
 FIG. 4 is a rear elevational view thereof;  
 FIG. 5 is a side elevational view thereof, the opposite side being a mirror image; and  
 FIG. 6 is a front elevational view thereof.



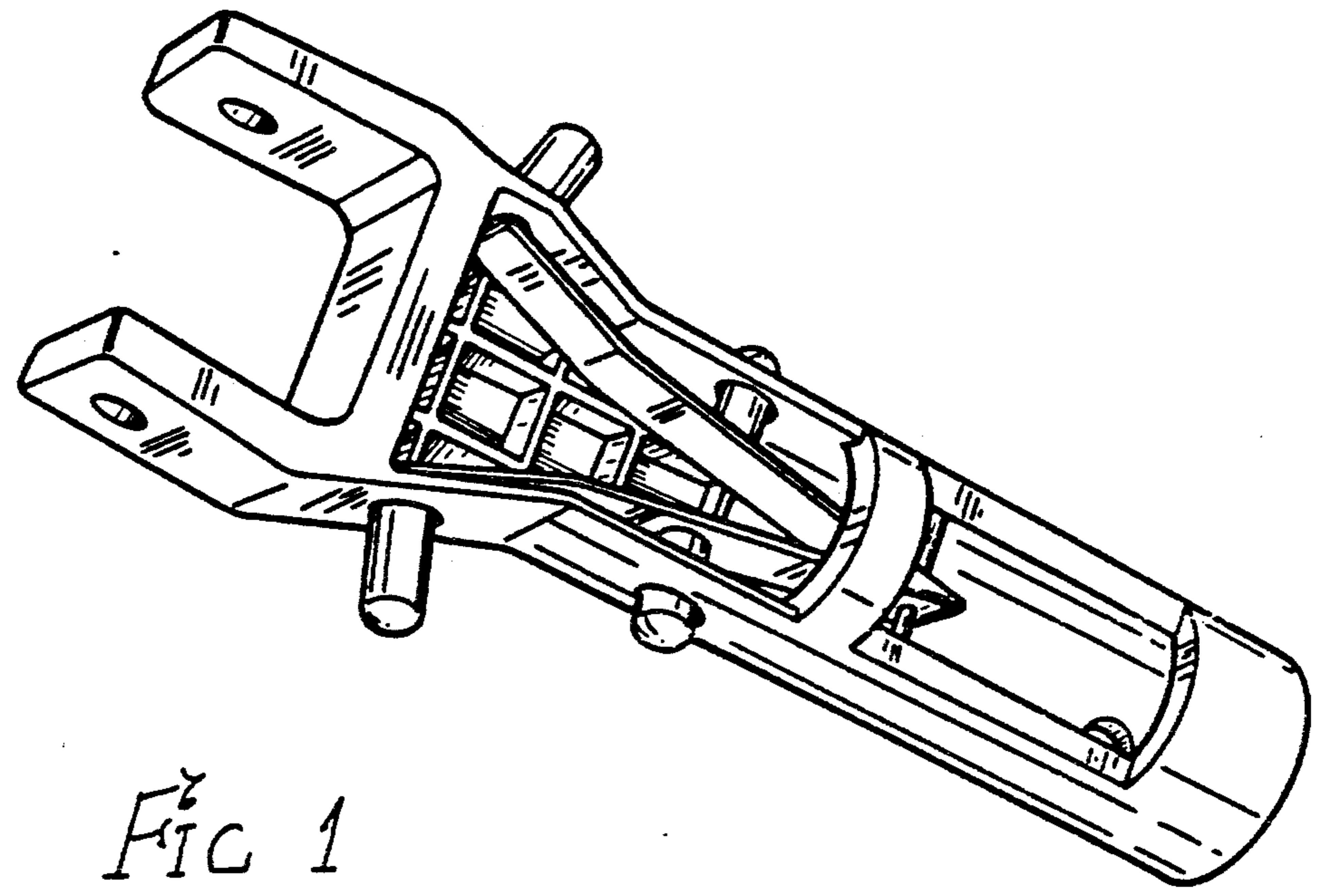


FIG 1

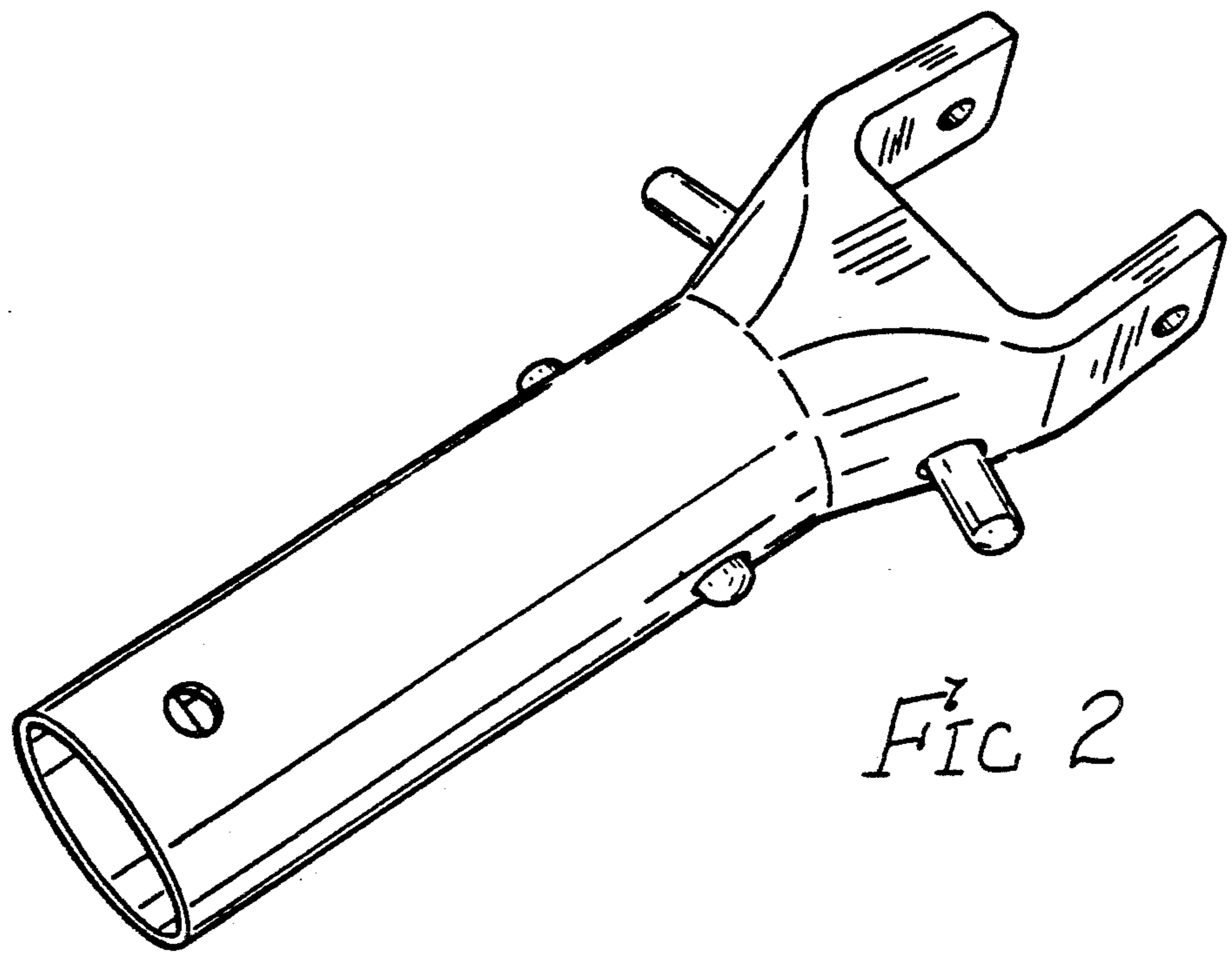


FIG 2

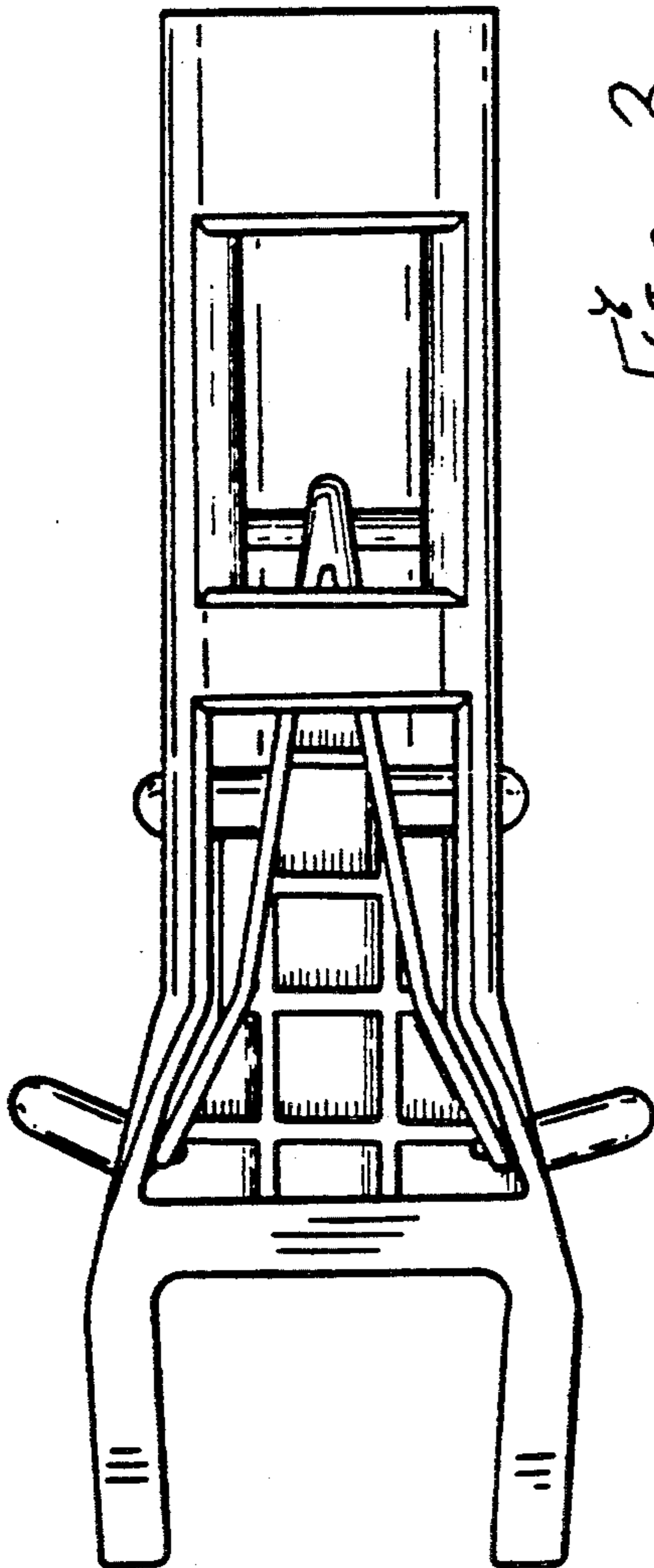


FIG 3

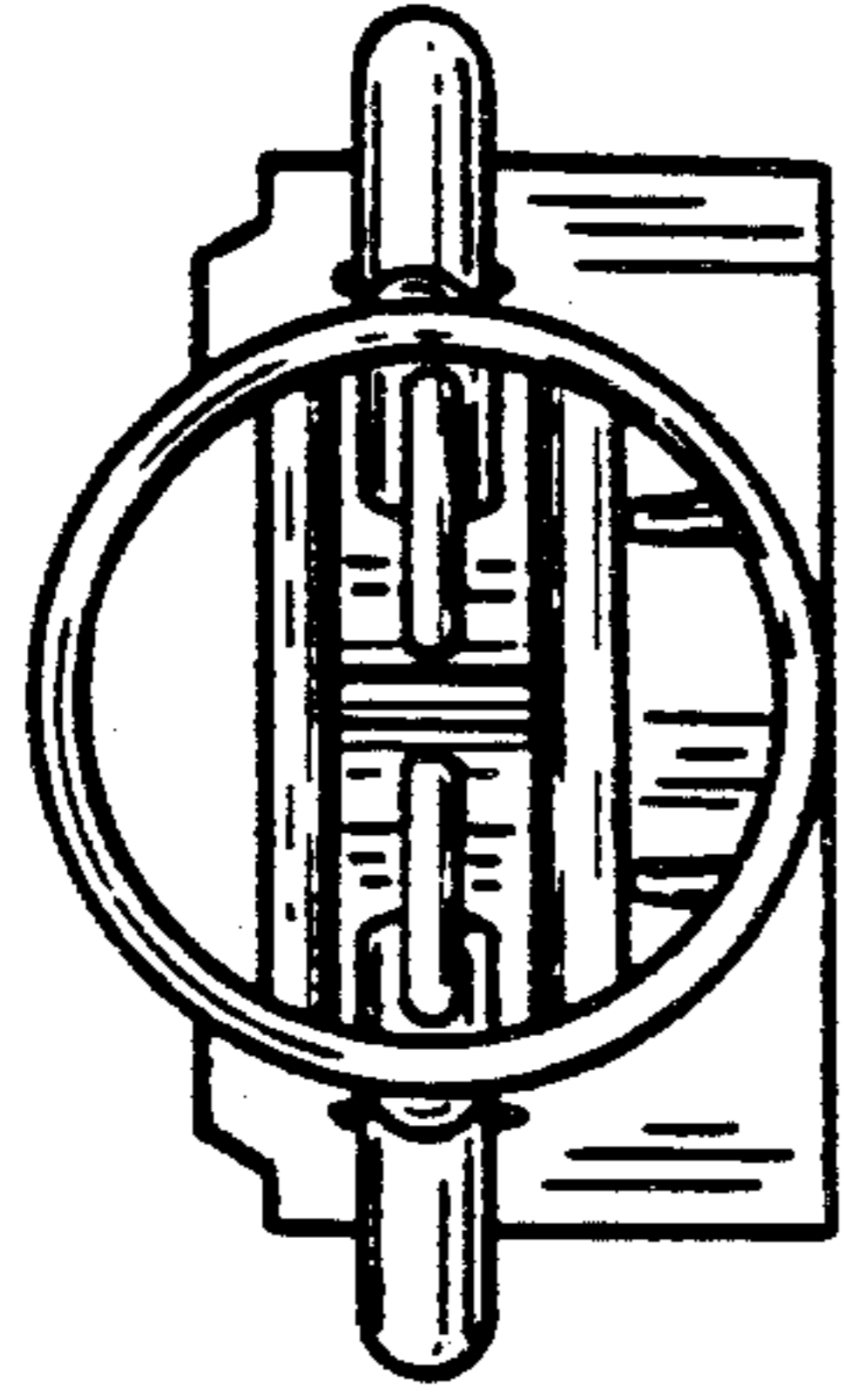


FIG 4

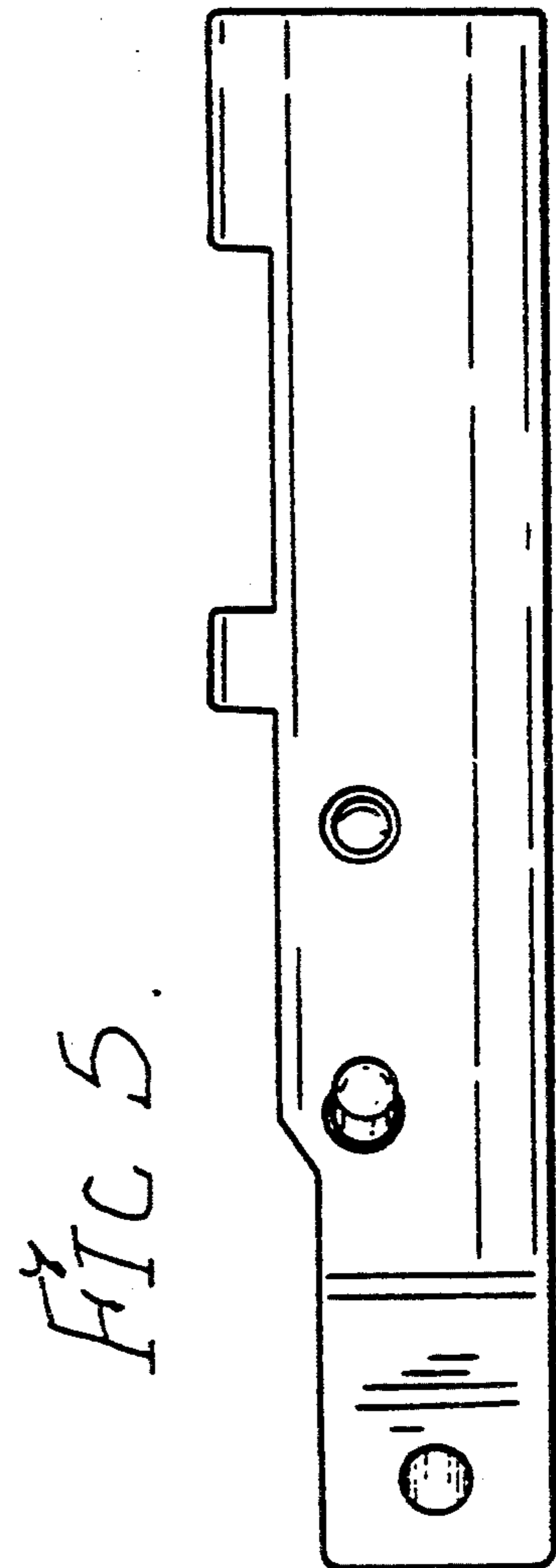


FIG 5

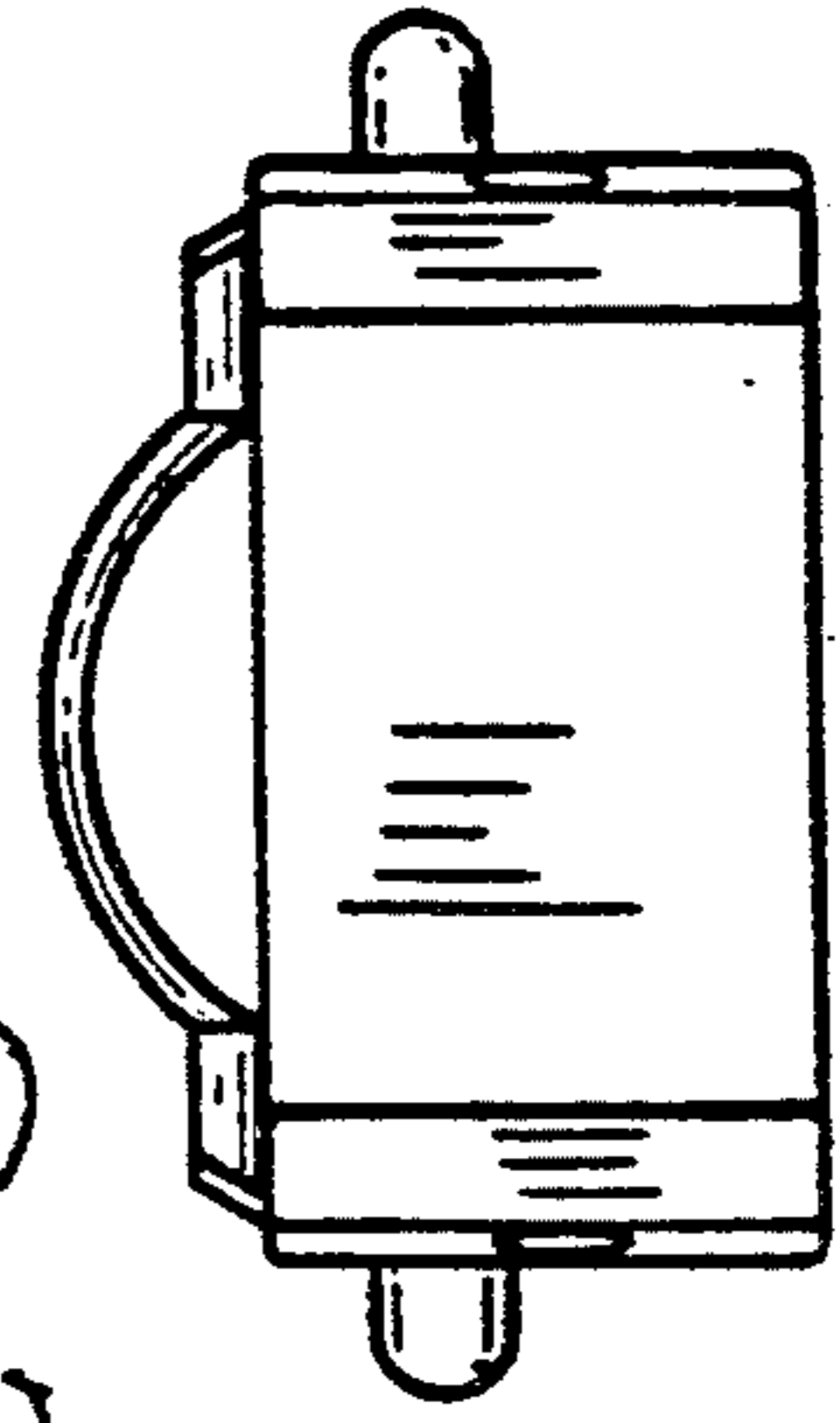


FIG 6