

[54] FEEDER FOR POULTRY

[75] Inventors: Theodore J. Cole; Ray E. Swartzendruber, both of Syracuse, Ind.

[73] Assignee: CTB, Inc., Milford, Ind.

[**] Term: 14 Years

[21] Appl. No.: 352,039

[22] Filed: May 15, 1989

[52] U.S. Cl. D30/121

[58] Field of Search D30/121, 108-120; 119/53, 52.1, 52.4, 53.5

3,911,868	10/1975	Brembeck	D30/121
4,070,990	1/1978	Swartzendruber	119/53
4,317,430	2/1982	Swartzendruber	119/57.4
4,476,811	10/1984	Swartzendruber	119/53
4,834,026	5/1989	Brembeck et al.	119/53

Primary Examiner—James M. Gandy
Assistant Examiner—Melody Brown
Attorney, Agent, or Firm—Trexler, Bushnell, Giangiorgi & Blackstone, Ltd.

[57] CLAIM

The ornamental design for a feeder for poultry, as shown and described.

DESCRIPTION

FIG. 1 is a front elevation view of a feeder for poultry showing my new design, it being understood that the broken lines are for illustrative purposes only and form no part of the claimed design;

FIG. 2 is a top plan view thereof;

FIG. 3 is a bottom plan view thereof;

FIG. 4 is a side elevation view thereof.

[56] References Cited

U.S. PATENT DOCUMENTS

3,012,539	12/1961	Warren	119/53
3,230,933	1/1966	Myers et al.	119/53
3,388,690	1/1968	Hostetler	119/53
3,511,215	5/1970	Myers	119/53
3,811,868	5/1974	Murto et al.	119/53

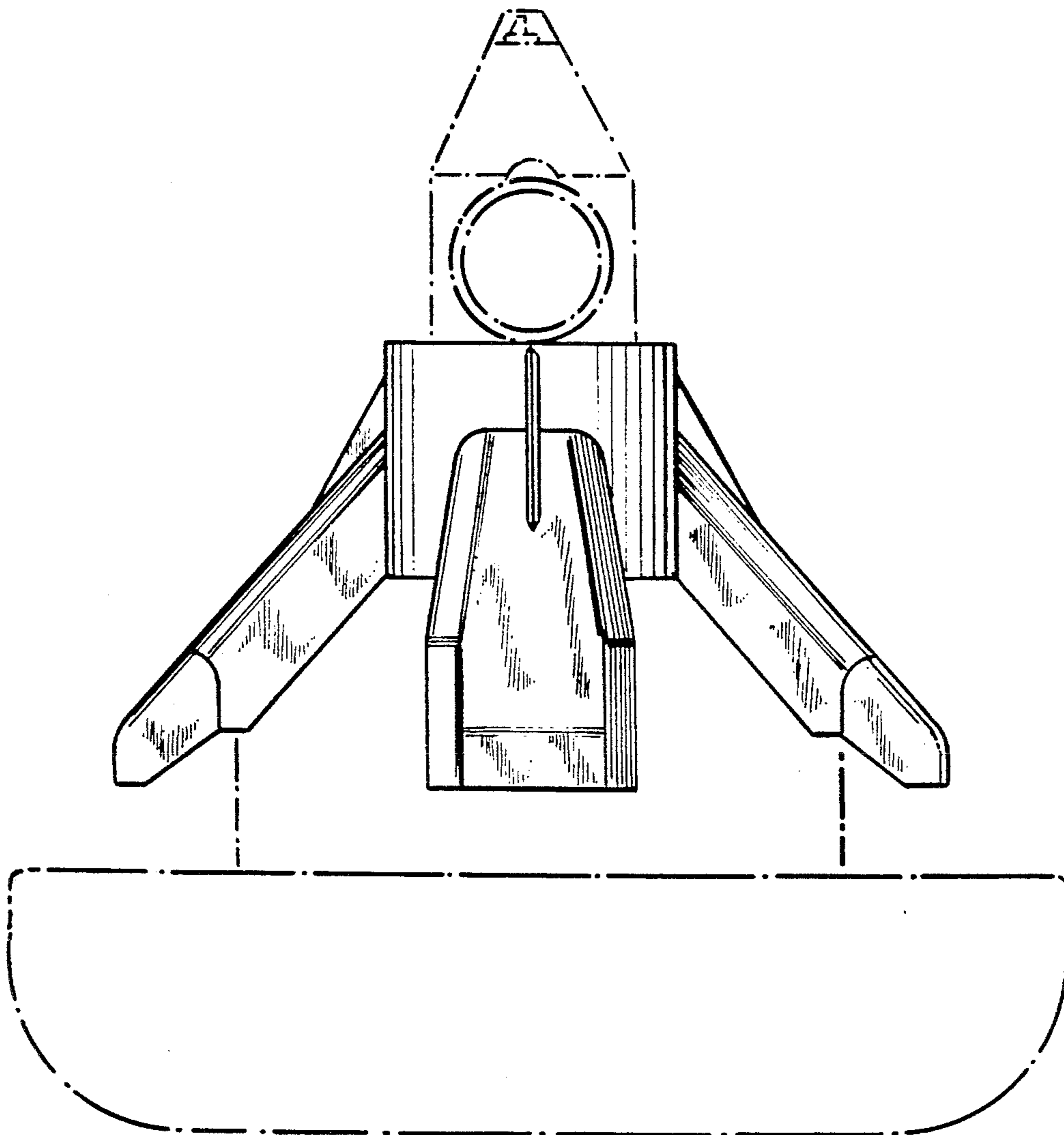


FIG. 1

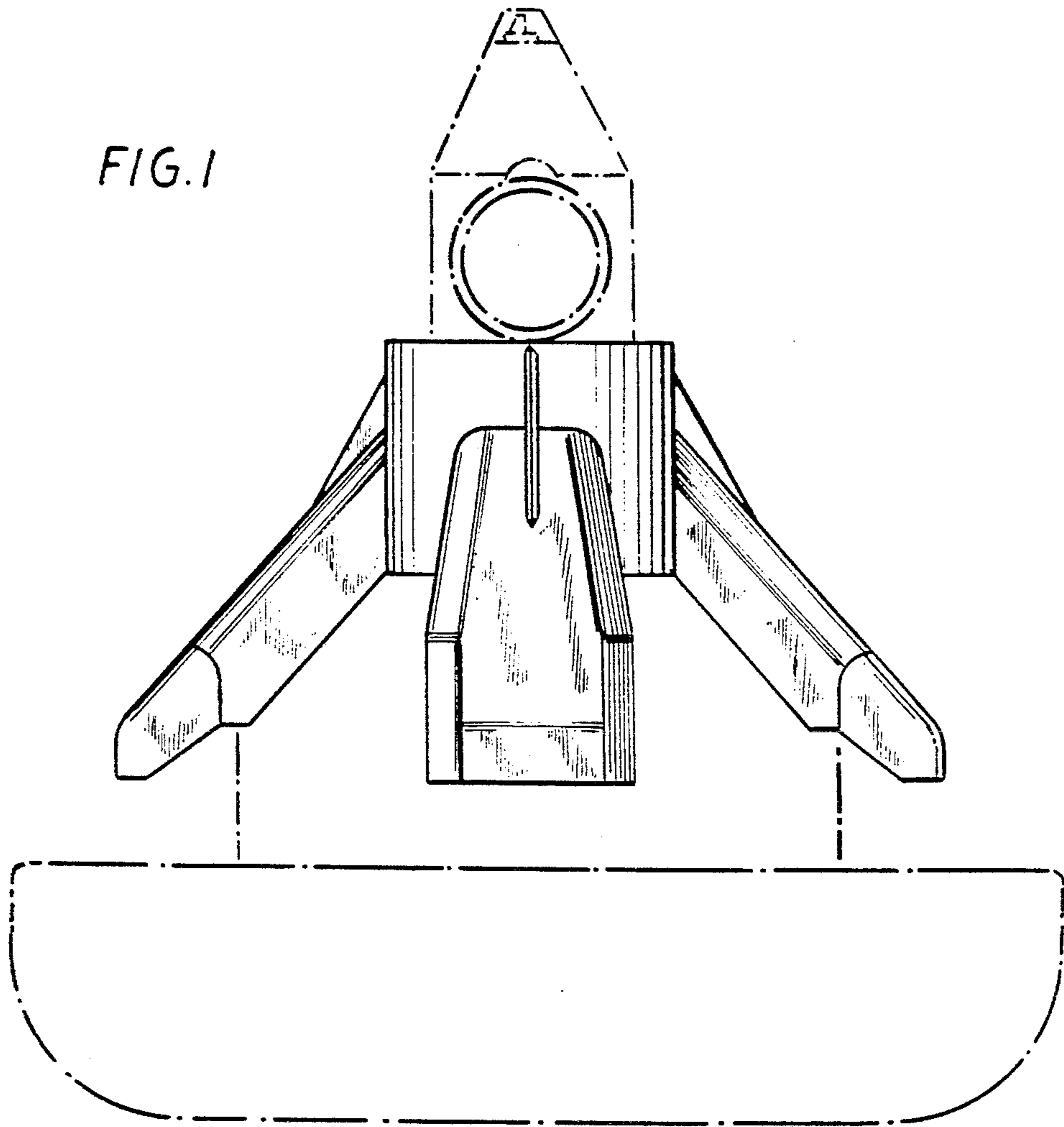


FIG. 2

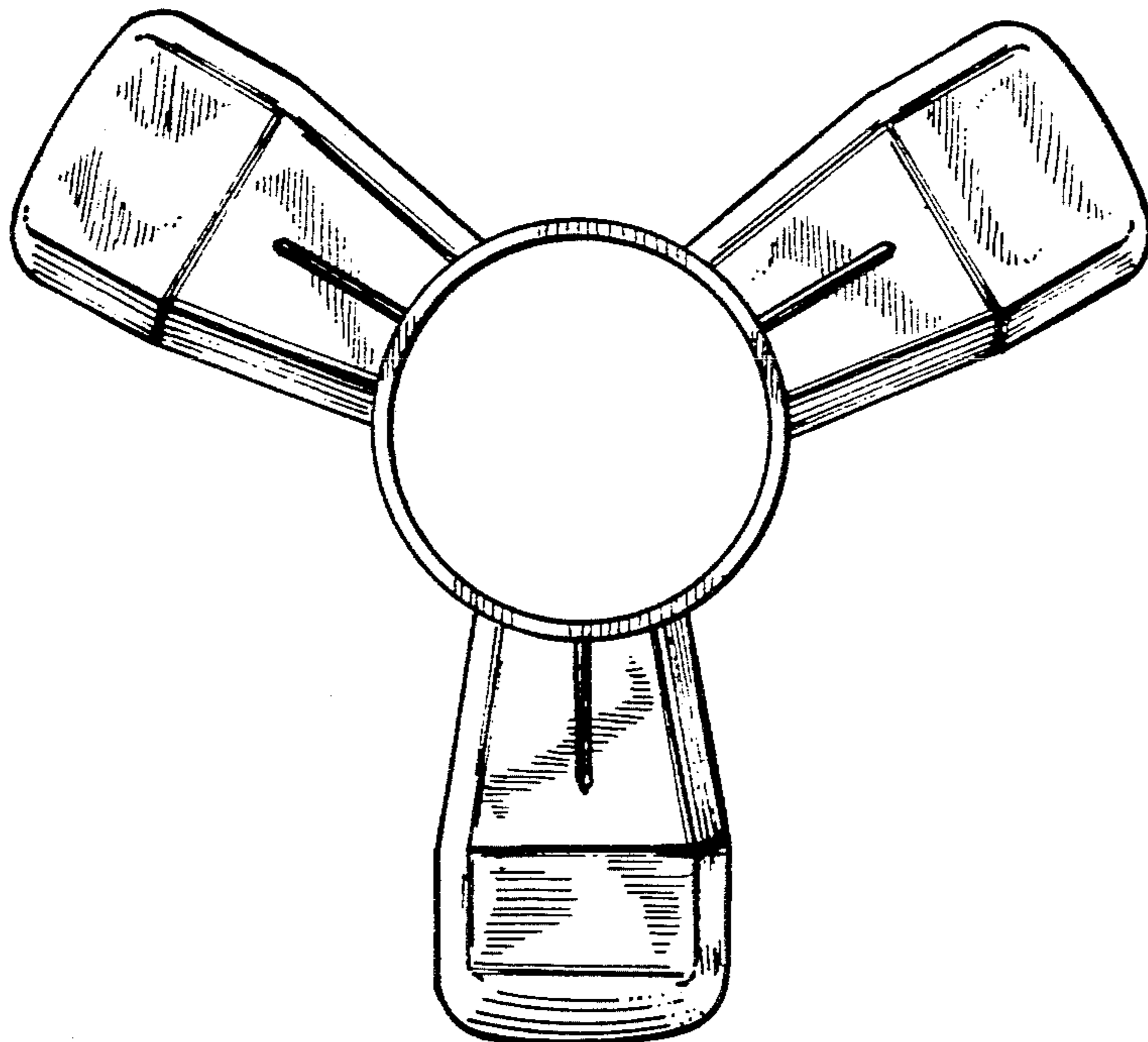


FIG. 3

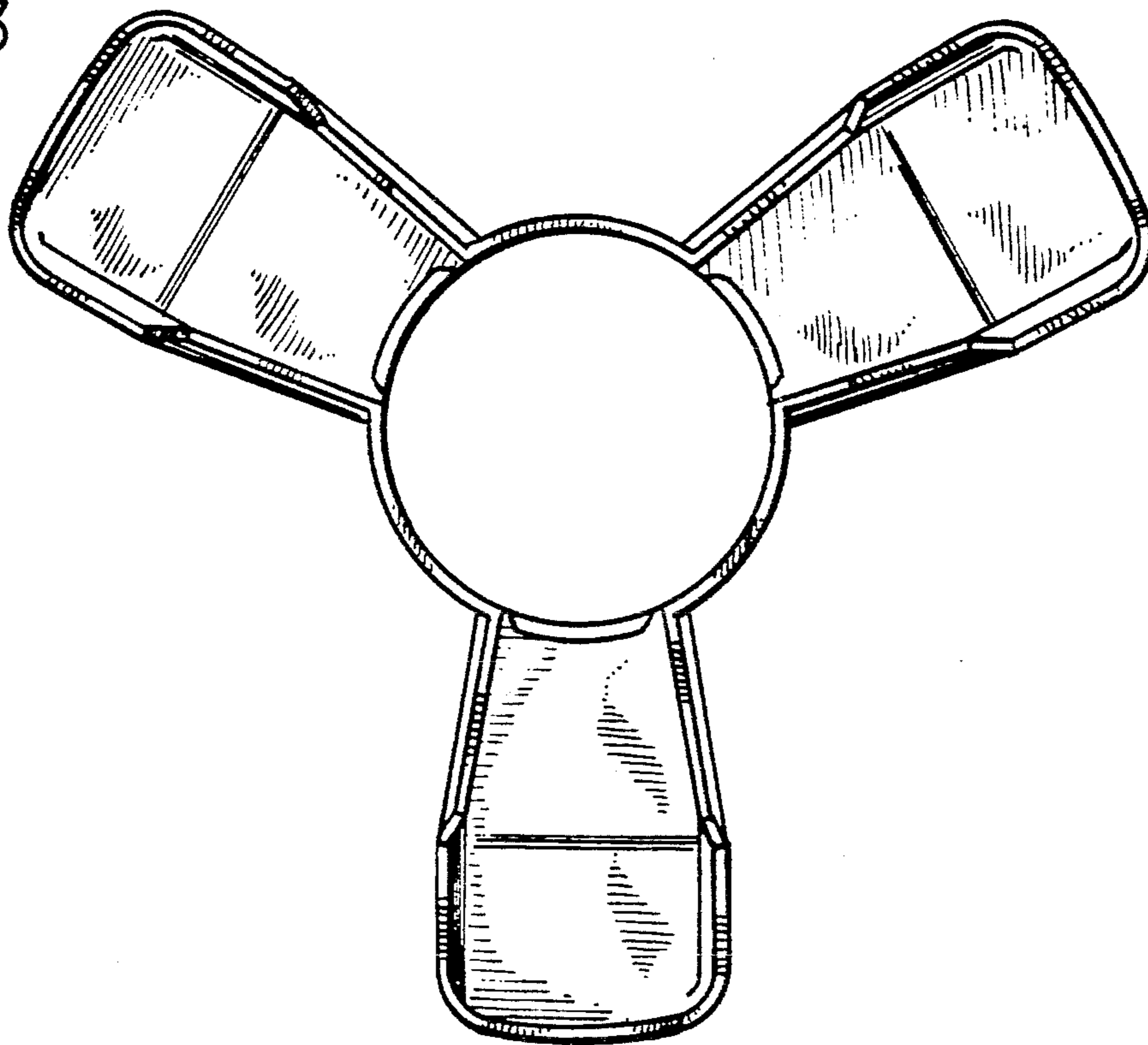


FIG. 4

