

[54] ADJUSTABLE FOUR WAY MIRROR

1,951,214 3/1934 Schulumbohm ..... 132/301

[76] Inventor: Eric R. Mallory, 2637 N. 28th St., Philadelphia, Pa. 19132

Primary Examiner—Bernard Ansher  
Assistant Examiner—Philip Hyder  
Attorney, Agent, or Firm—Leon Gilden

[\*\*] Term: 14 Years

[21] Appl. No.: 306,590

[57] CLAIM

[22] Filed: Feb. 6, 1989

The ornamental design for an adjustable four way mirror, as shown and described.

[52] U.S. Cl. .... D28/64.1

[58] Field of Search ..... D28/64.1, 64.2, 64.3, D28/64.4, 64.5, 64.6, 64.7; D6/300; 248/466, 471; 350/600, 612; 362/135, 142, 613, 615; 132/301

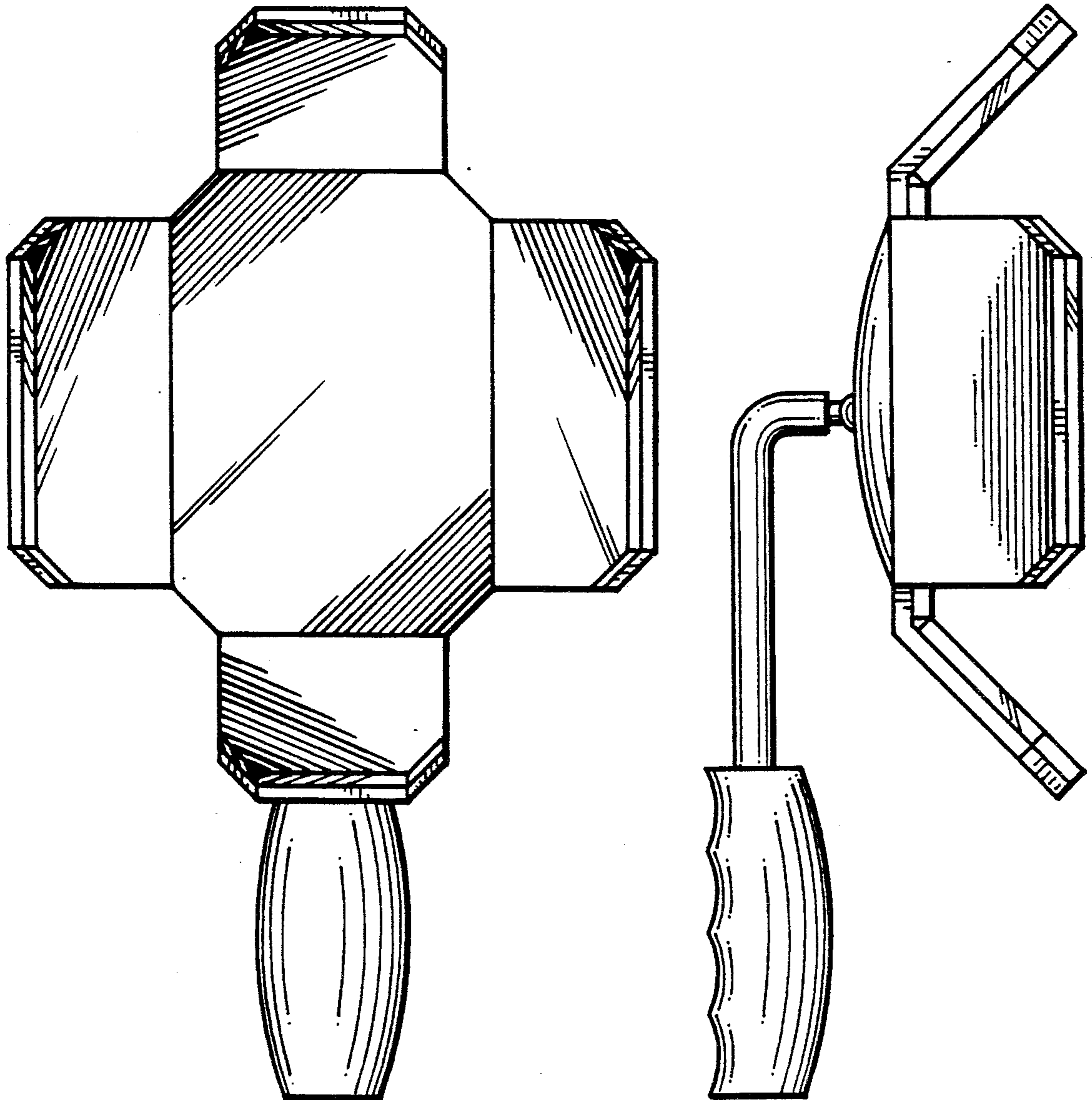
DESCRIPTION

[56] References Cited

U.S. PATENT DOCUMENTS

- D. 298,087 10/1988 Arce ..... D6/300
- D. 310,584 9/1990 Cadet ..... D28/64.1

FIG. 1 is a front elevational view of an adjustable four way mirror showing my new design;  
 FIG. 2 is a rear elevational view thereof;  
 FIG. 3 is a left side elevational view thereof;  
 FIG. 4 is a right side elevational view thereof;  
 FIG. 5 is a top plan view thereof;  
 FIG. 6 is a bottom plan view thereof; and,  
 FIG. 7 is a perspective view thereof.



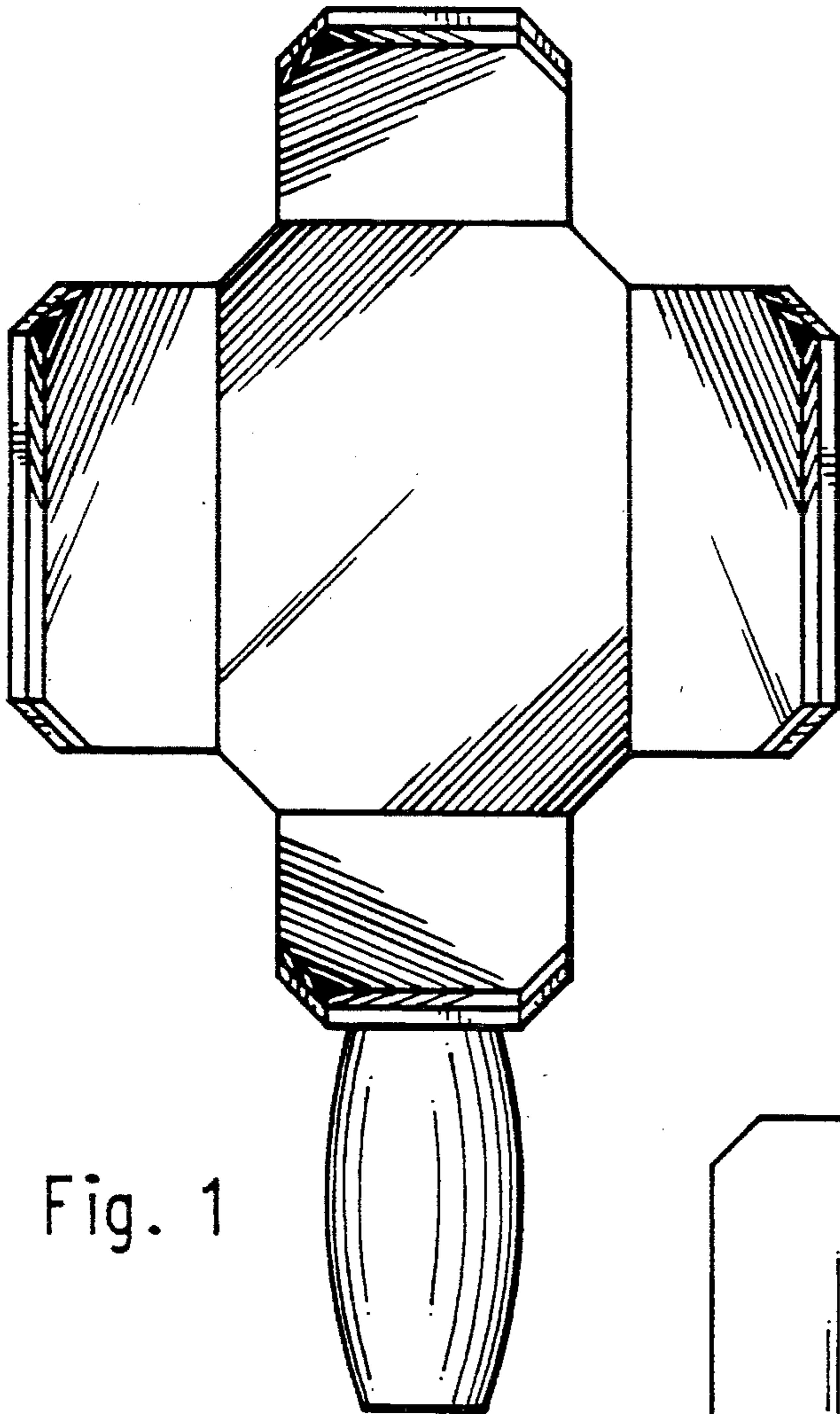


Fig. 1

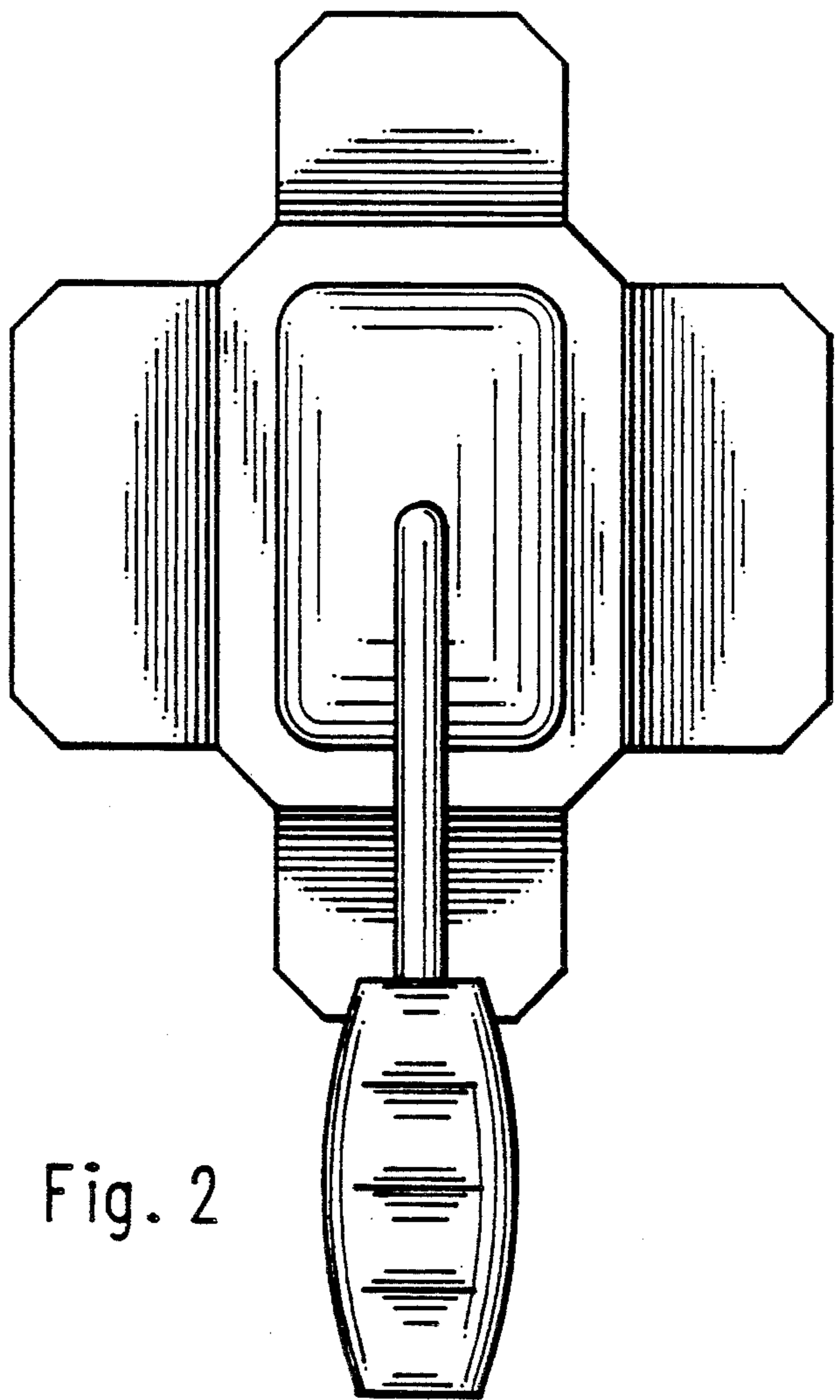


Fig. 2

Fig. 3

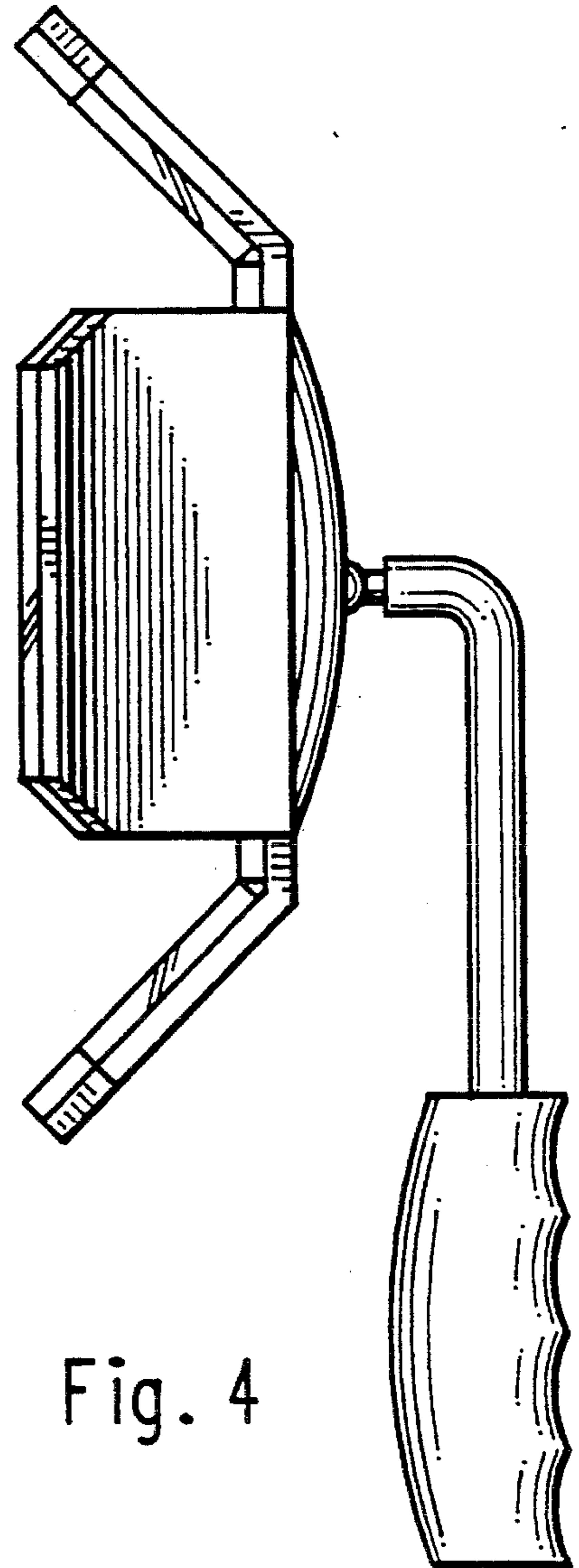
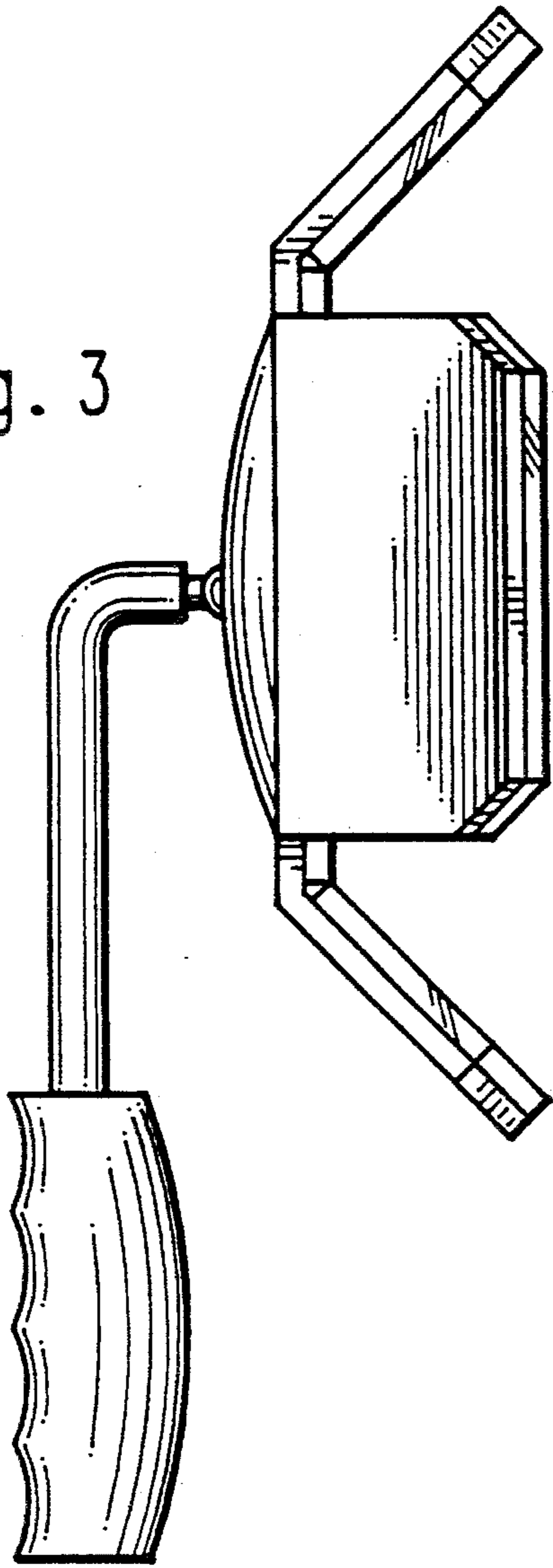


Fig. 4

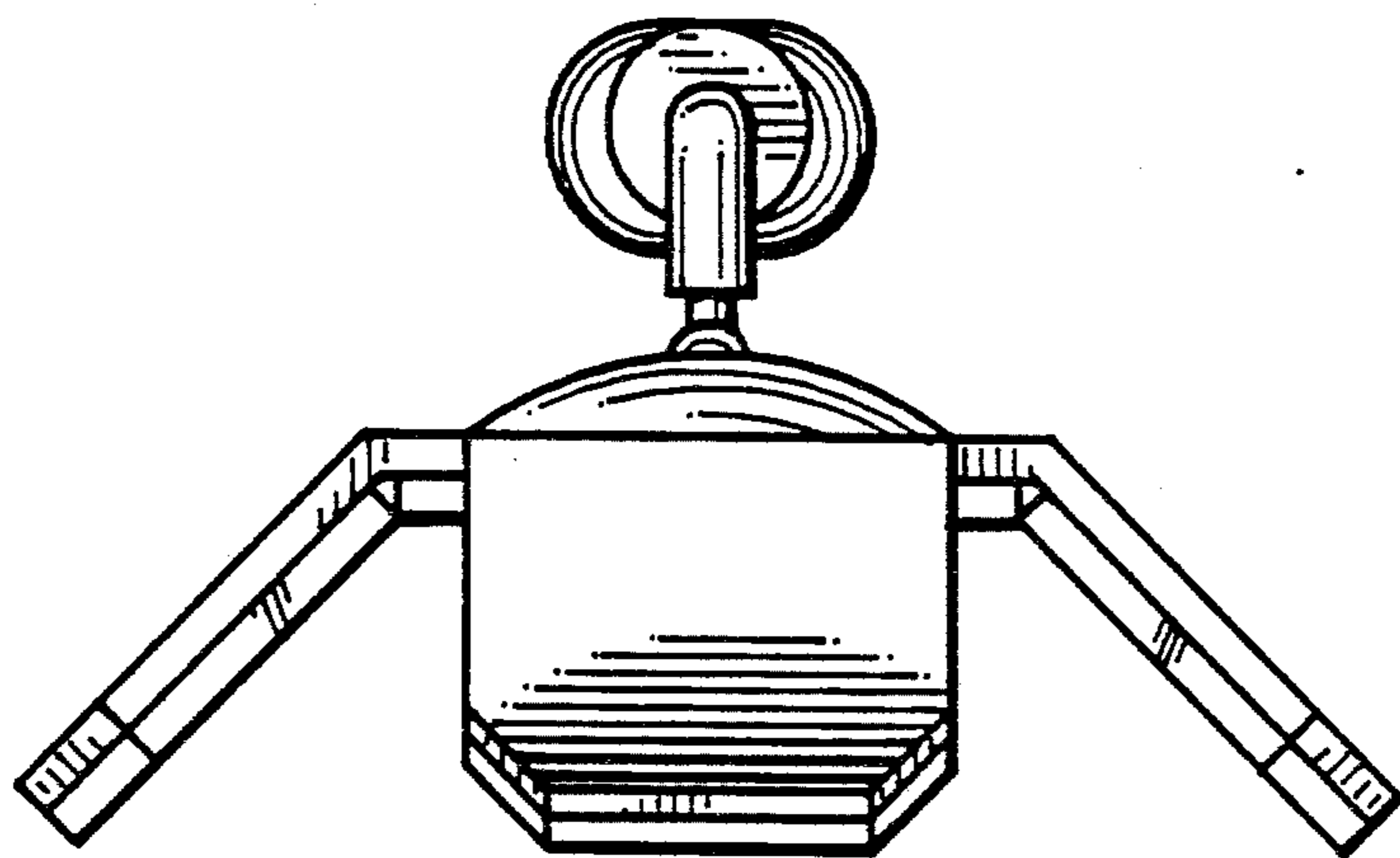


Fig. 5

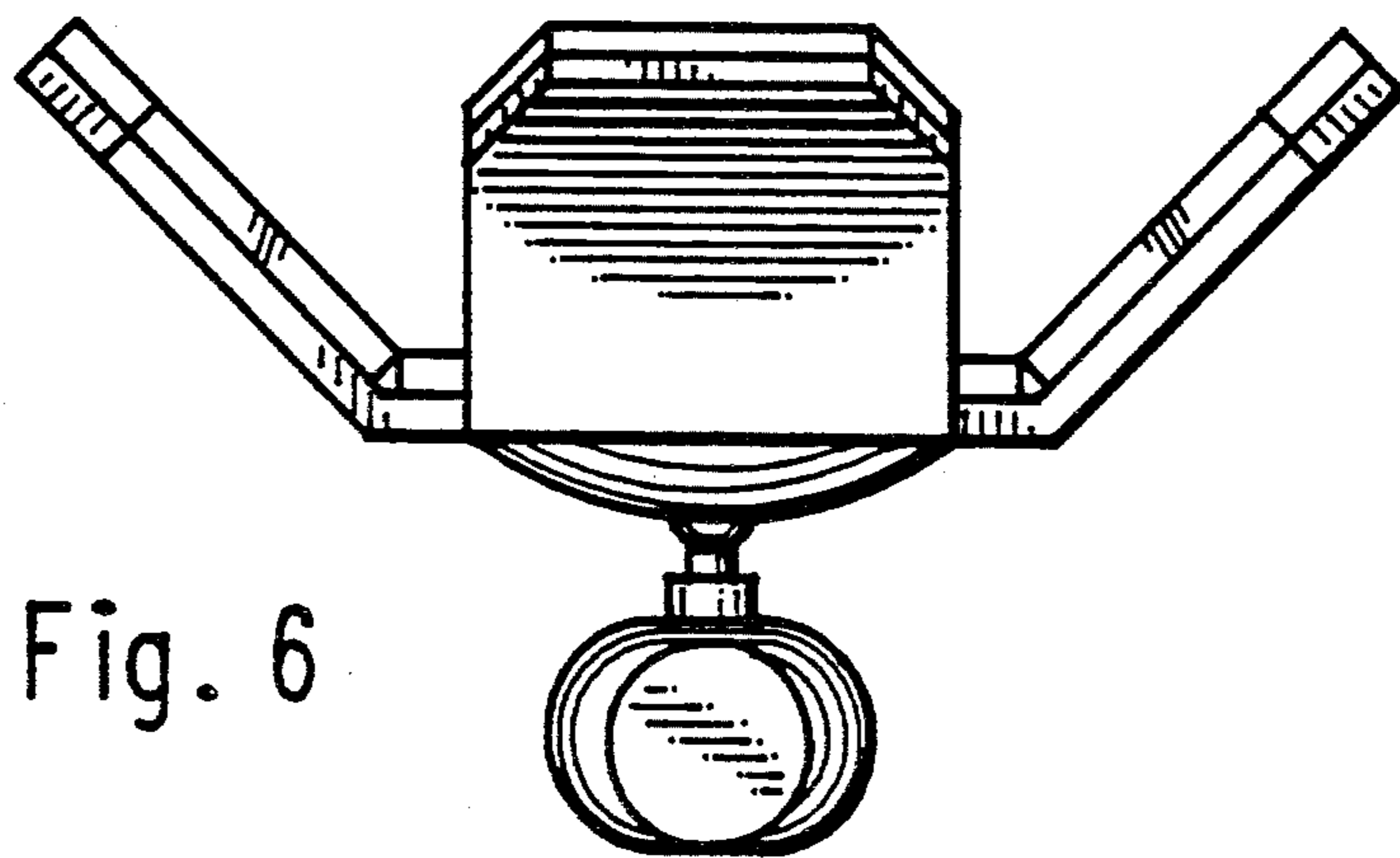


Fig. 6

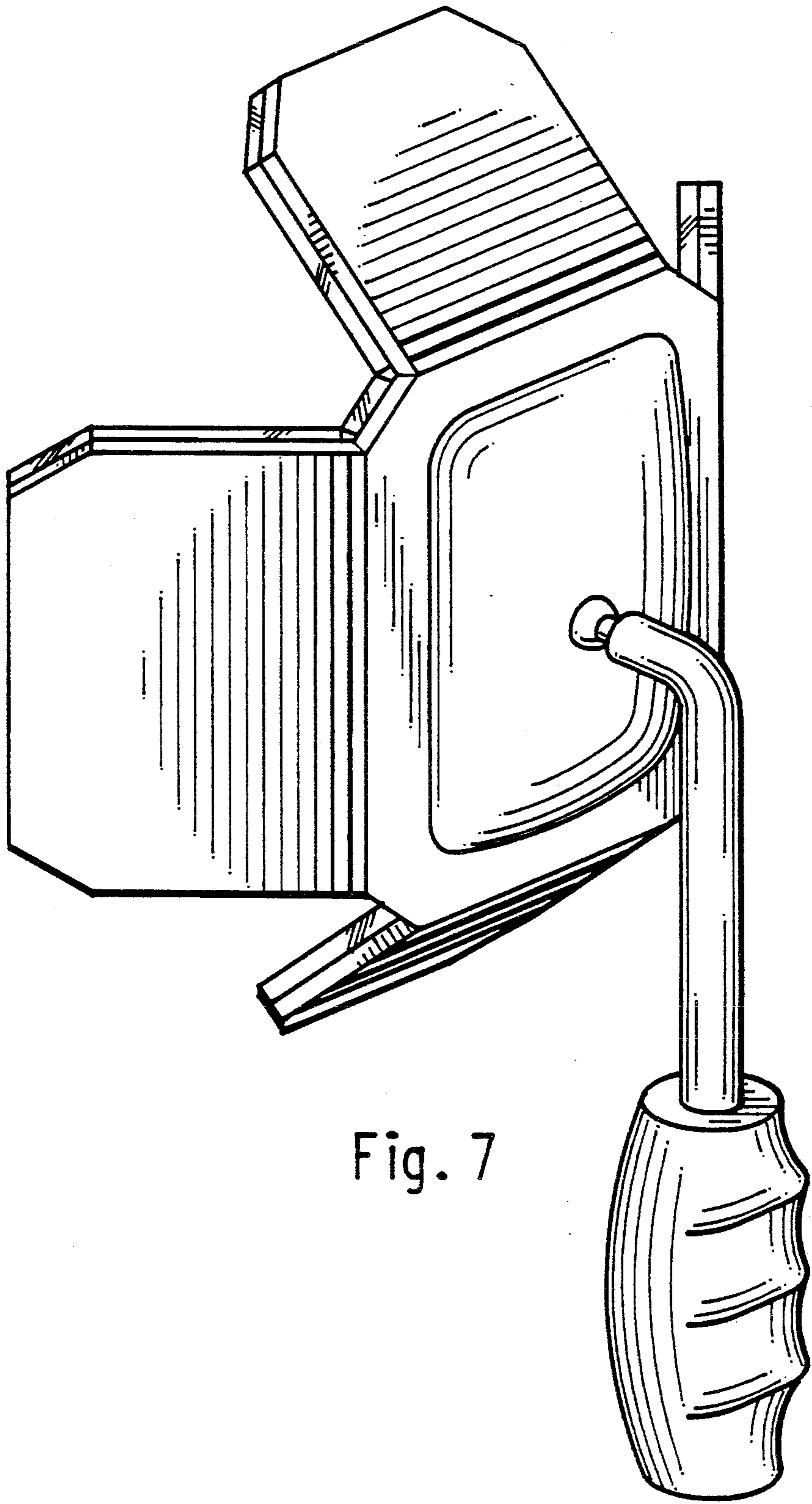


Fig. 7