

United States Patent [19]

Miller

[11] Patent Number: **Des. 321,949**

[45] Date of Patent: **** Nov. 26, 1991**

[54] **RECESSED LIGHTING FIXTURE FOR CEILING OR THE LIKE**

4,646,214 2/1987 Mendleski 362/294
4,872,097 10/1989 Miller 362/365 X

[76] Inventor: **Jack V. Miller, 700 N. Auburn Ave.,
Sierra Madre, Calif. 91024**

Primary Examiner—Susan J. Lucas

[**] Term: **14 Years**

[57] **CLAIM**

The ornamental design for a recessed lighting fixture for ceiling or the like, as shown and described.

[21] Appl. No.: **377,914**

DESCRIPTION

[22] Filed: **Jul. 10, 1989**

[52] U.S. Cl. **D26/74; D26/24**

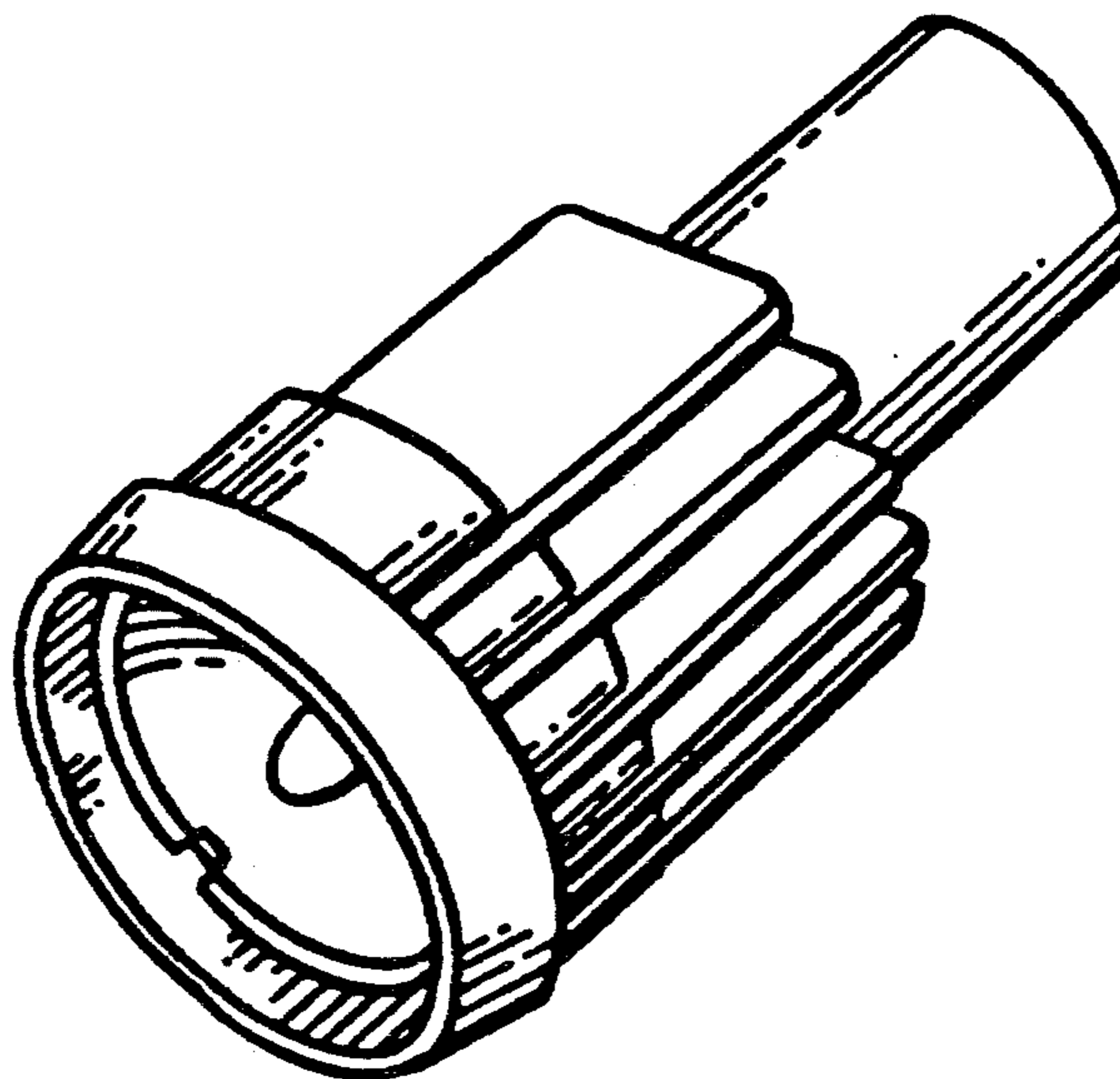
[58] Field of Search **D26/74, 24, 72, 80-92,
D26/60-66; 362/363, 294, 147, 364, 365, 373**

FIG. 1 is a perspective view of a recessed lighting fixture for ceiling or the like showing my new design;
FIG. 2 is a bottom plan view thereof;
FIG. 3 is a rear elevational view thereof;
FIG. 4 is a top plan view thereof;
FIG. 5 is a right side elevational view thereof;
FIG. 6 is a front elevational view thereof; and
FIG. 7 is a left side elevational view thereof.

[56] **References Cited**

U.S. PATENT DOCUMENTS

4,232,361 11/1980 Kelsall 362/269 X



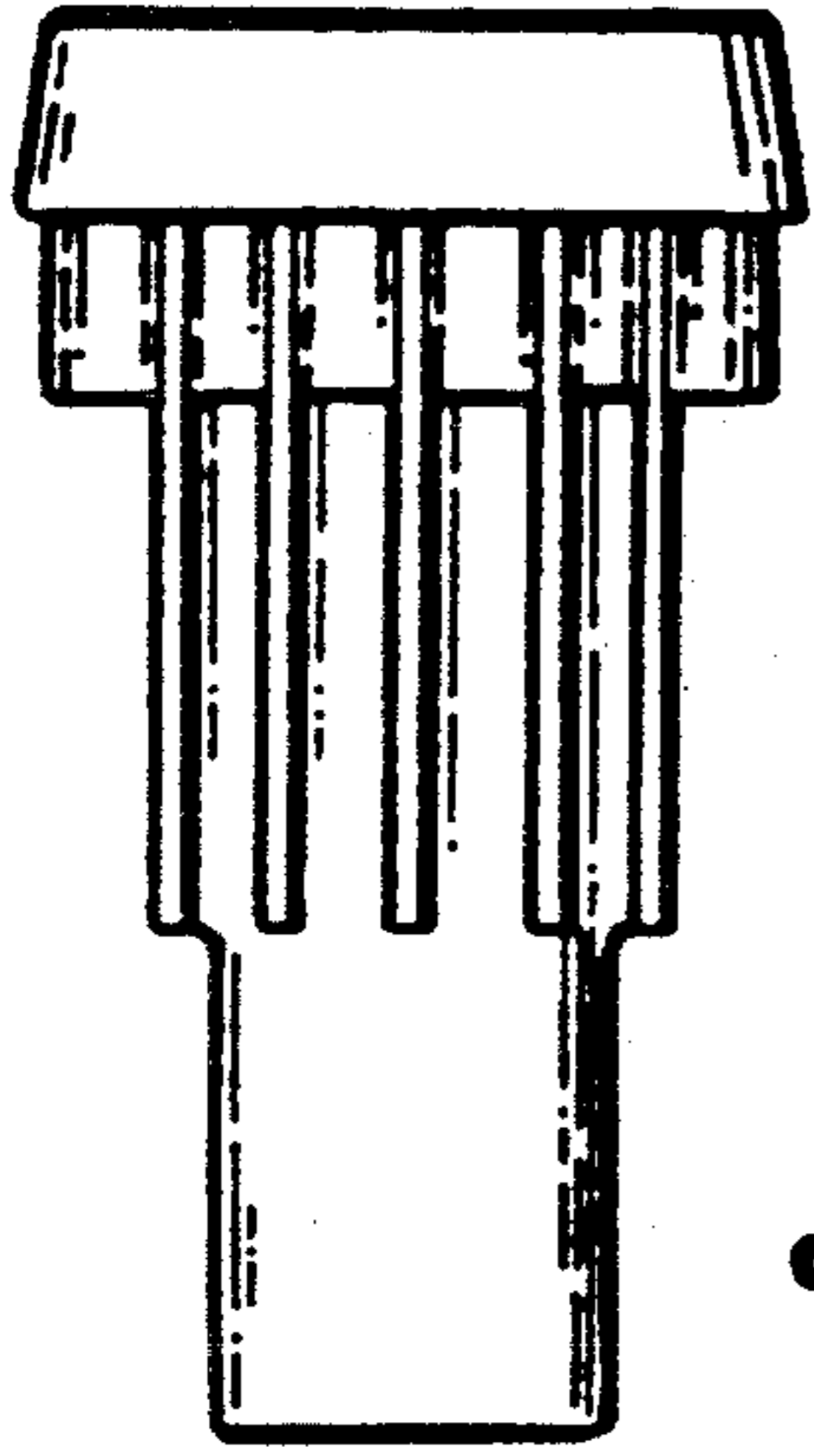


Fig. 2

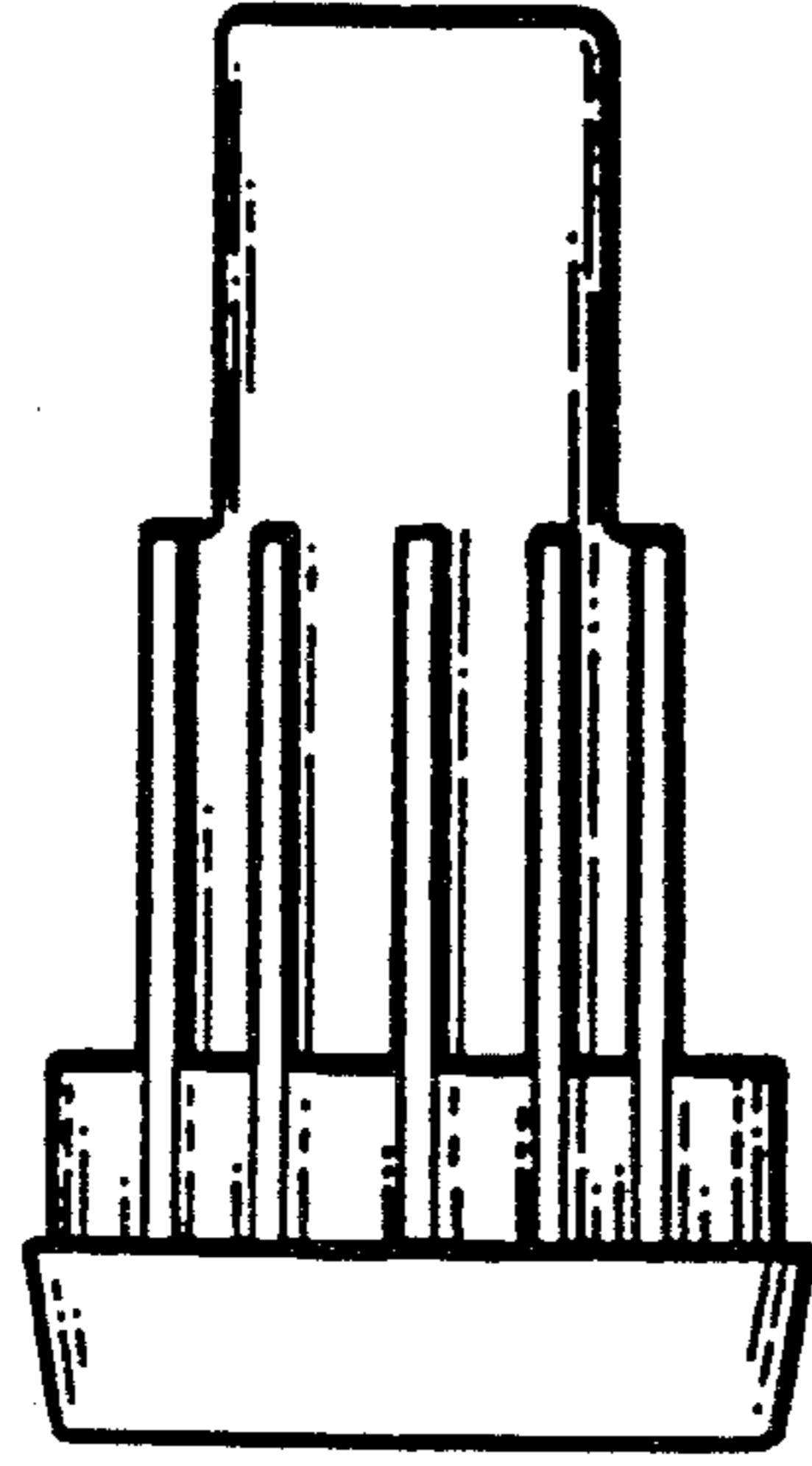


Fig. 4

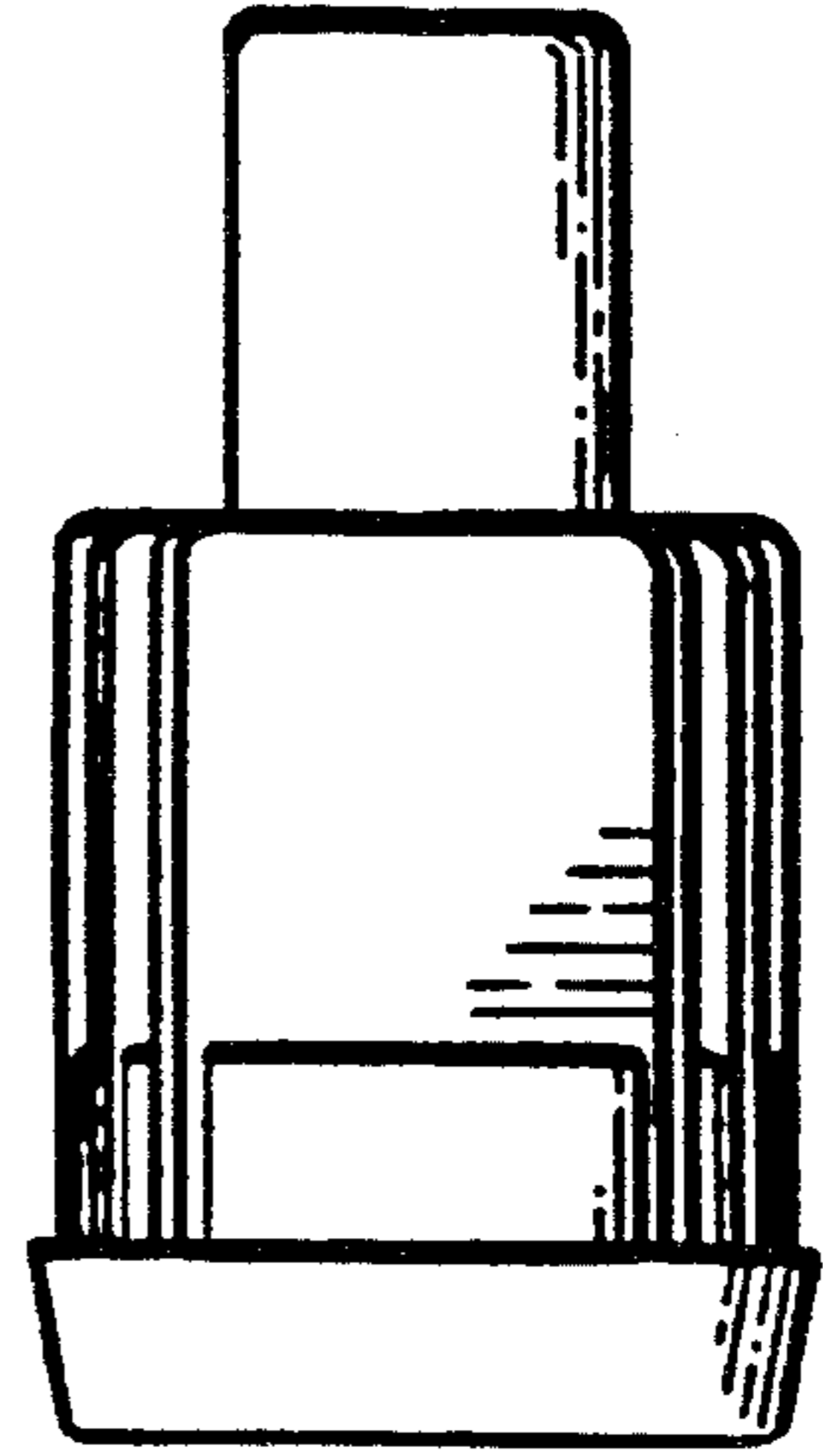


Fig. 7

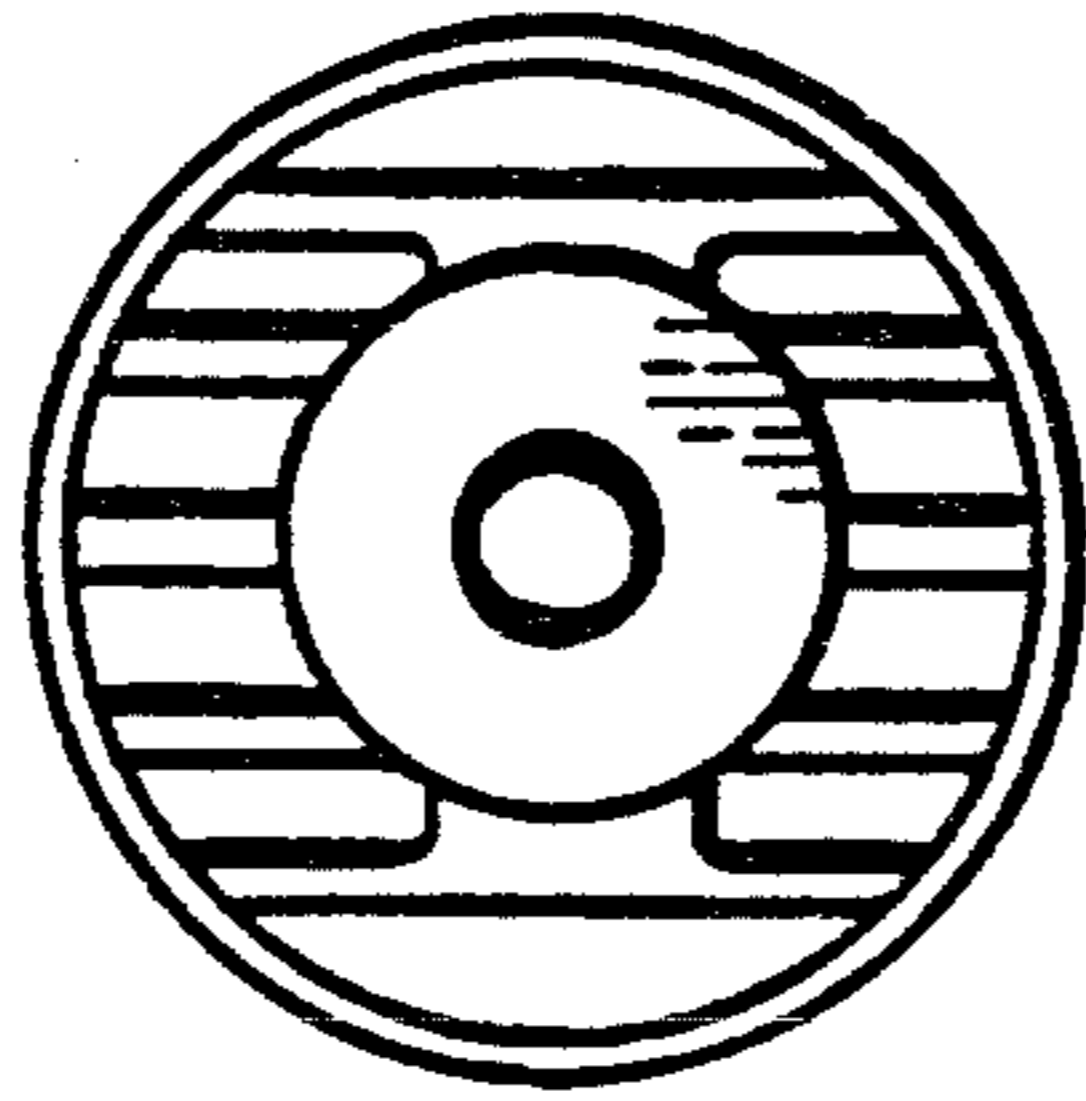


Fig. 3

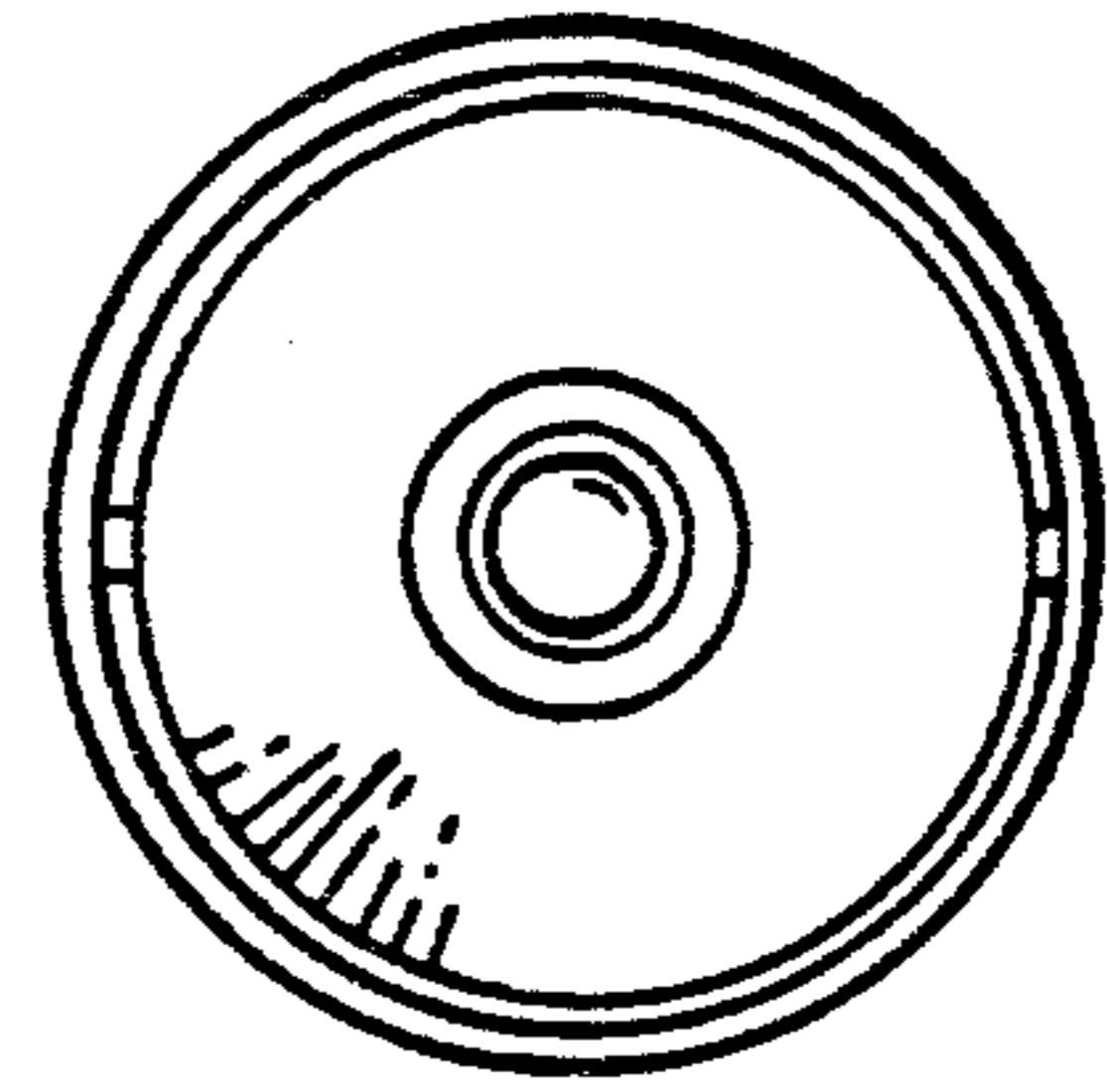


Fig. 6

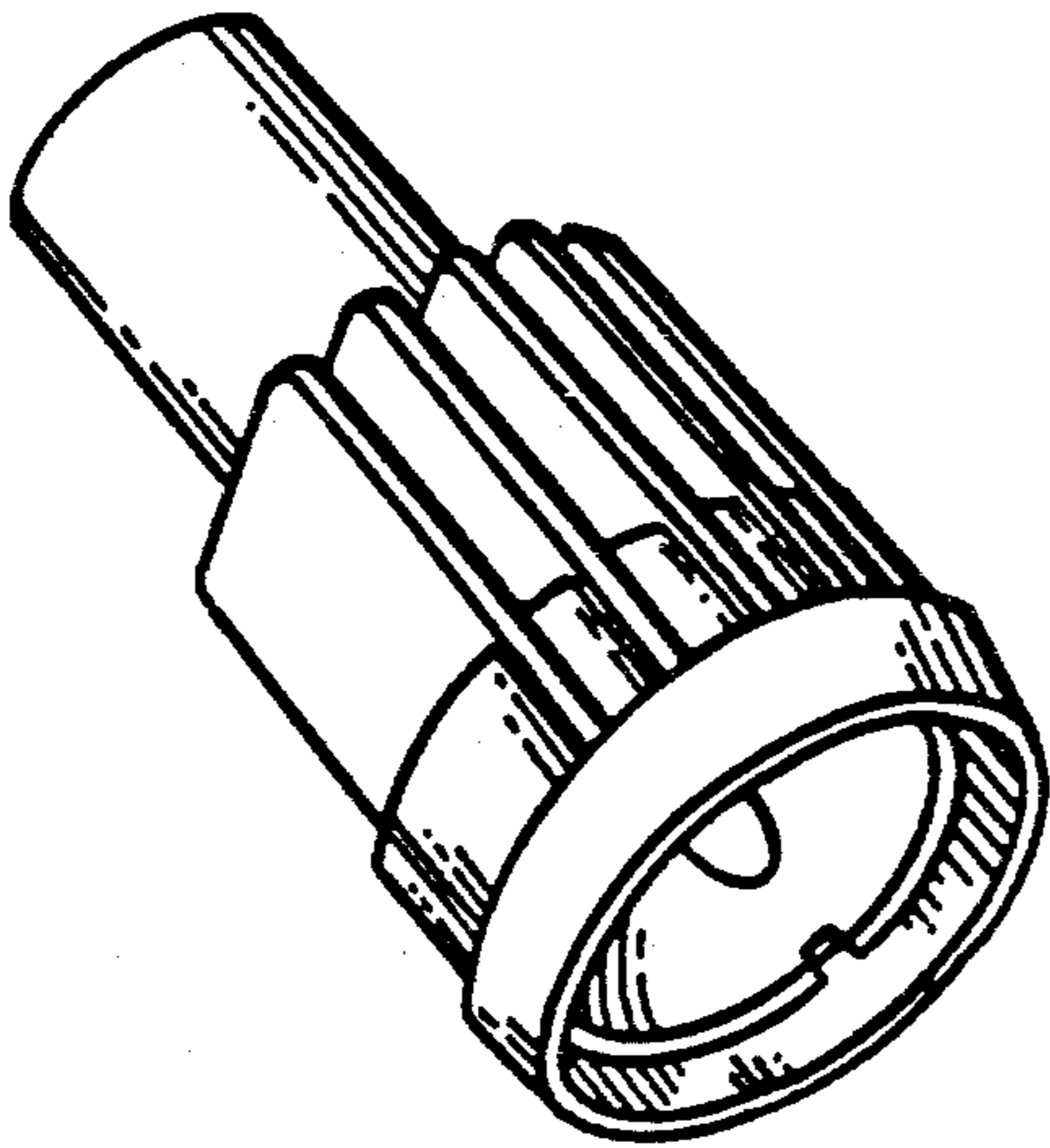


Fig. 1

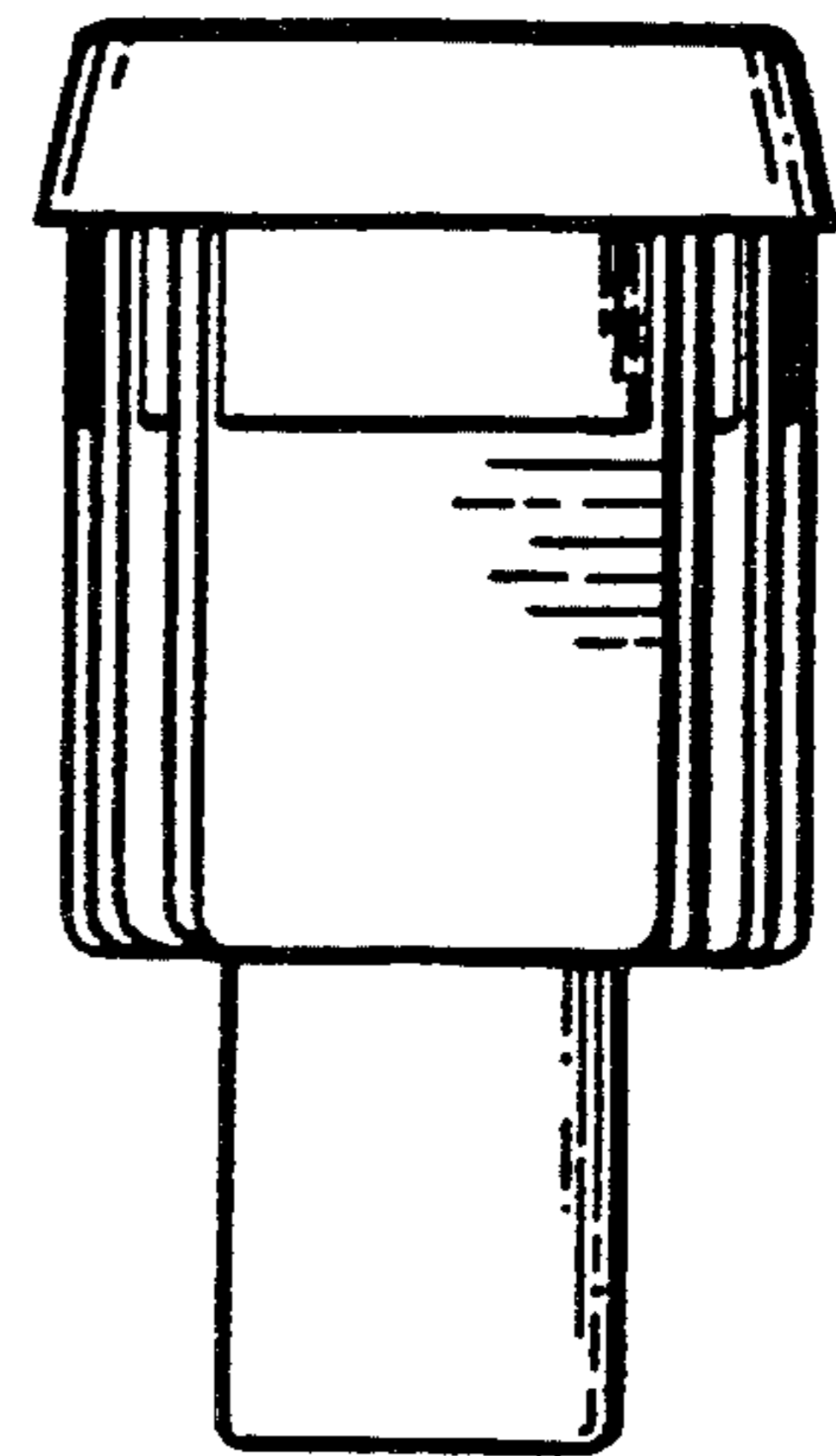


Fig. 5