

[54] TABLE LAMP

[76] Inventor: James C. S. Huang, No. 19; Lane 111, Ho Pont Road, Luchou, Taipei Hsien, Taiwan

[\*\*] Term: 14 Years

[21] Appl. No.: 551,721

[22] Filed: Jul. 12, 1990

[52] U.S. Cl. .... D26/65

[58] Field of Search ..... D26/60-66; 362/410-414, 418, 419, 427, 269, 275, 287, 401, 402

[56] References Cited

U.S. PATENT DOCUMENTS

- D. 245,874 9/1977 Lap ..... D26/65 X
- D. 281,357 11/1985 Gismondi ..... D26/63

- D. 284,108 6/1986 Bonetto ..... D26/65
- D. 302,865 8/1989 Von Klier ..... D26/63
- 3,409,767 11/1968 Entwistle ..... D26/65 X
- 4,772,991 9/1988 Wood ..... 362/427 X

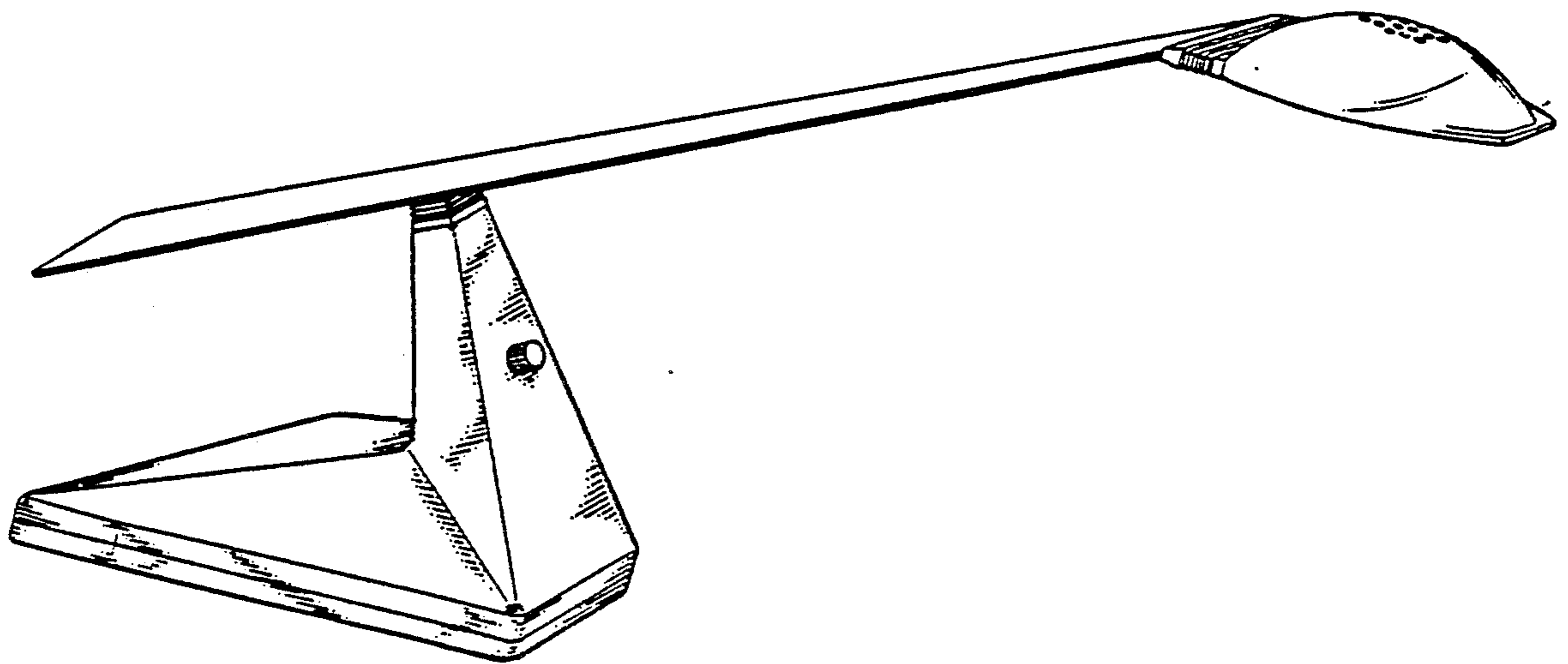
Primary Examiner—Susan J. Lucas  
Attorney, Agent, or Firm—Bacon & Thomas

[57] CLAIM

The ornamental design for an adjustable table lamp, as shown and described.

DESCRIPTION

FIG. 1 is a front, right side perspective view of an adjustable table lamp showing my new design;  
 FIG. 2 is a front elevational view thereof, the rear being a mirror image;  
 FIG. 3 is a left side elevational view thereof;  
 FIG. 4 is a right side elevational view thereof;  
 FIG. 5 is a top plan view thereof;  
 FIG. 6 is a bottom plan view thereof.



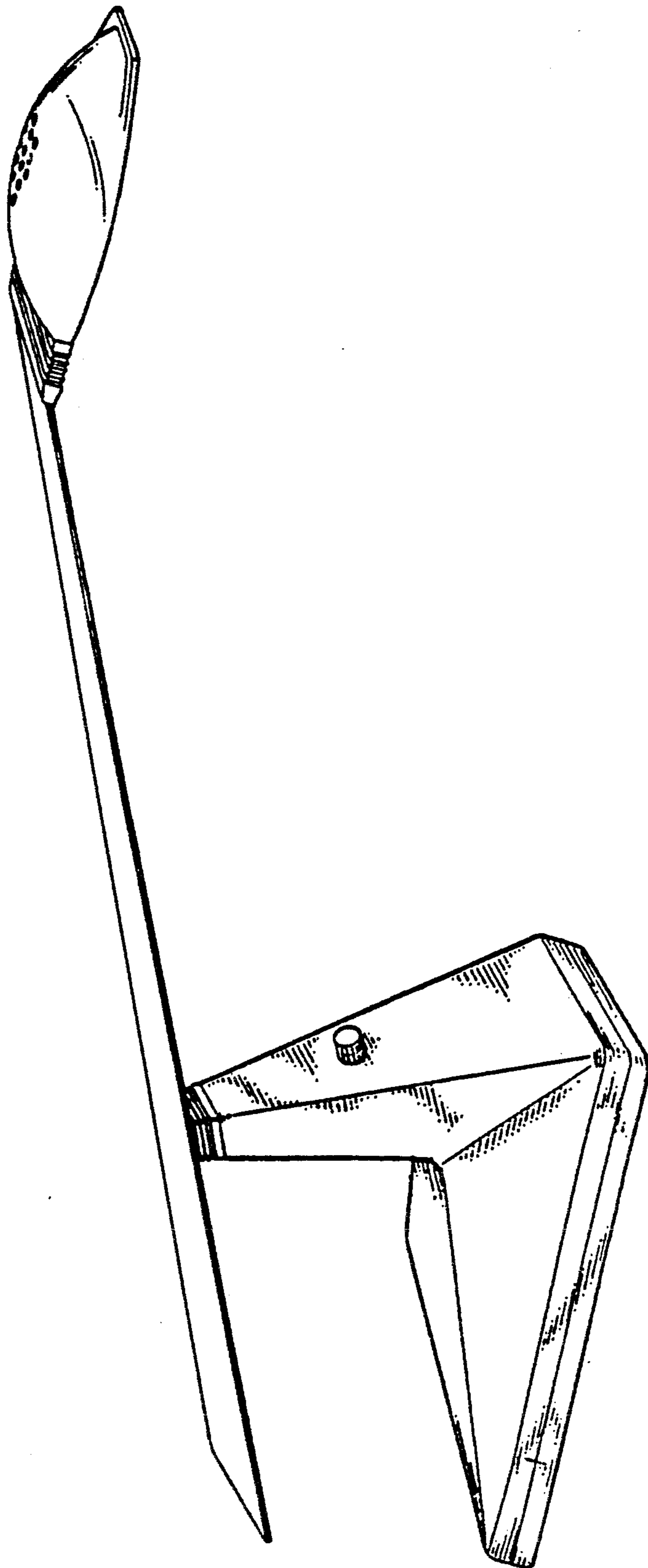


FIG. 1

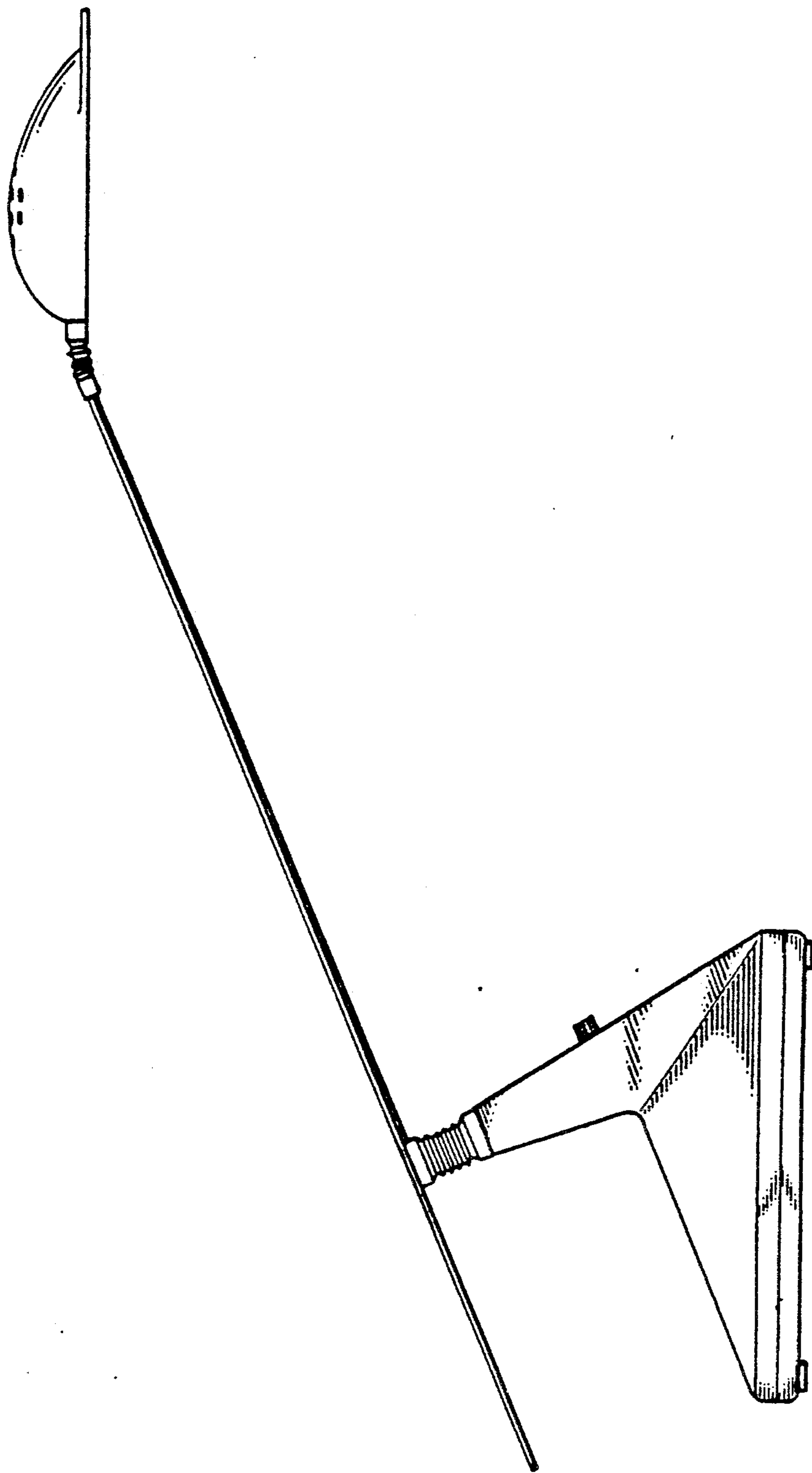


FIG. 2

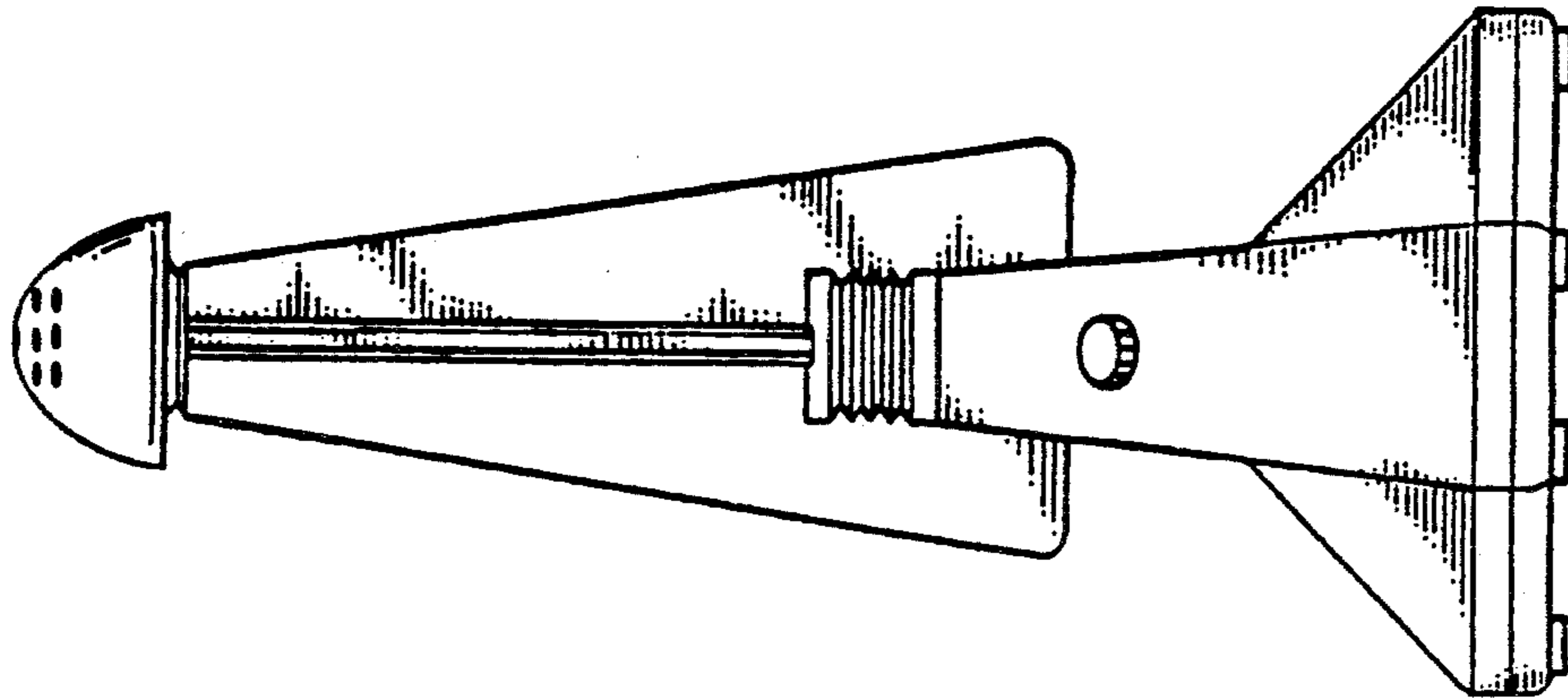


FIG. 4

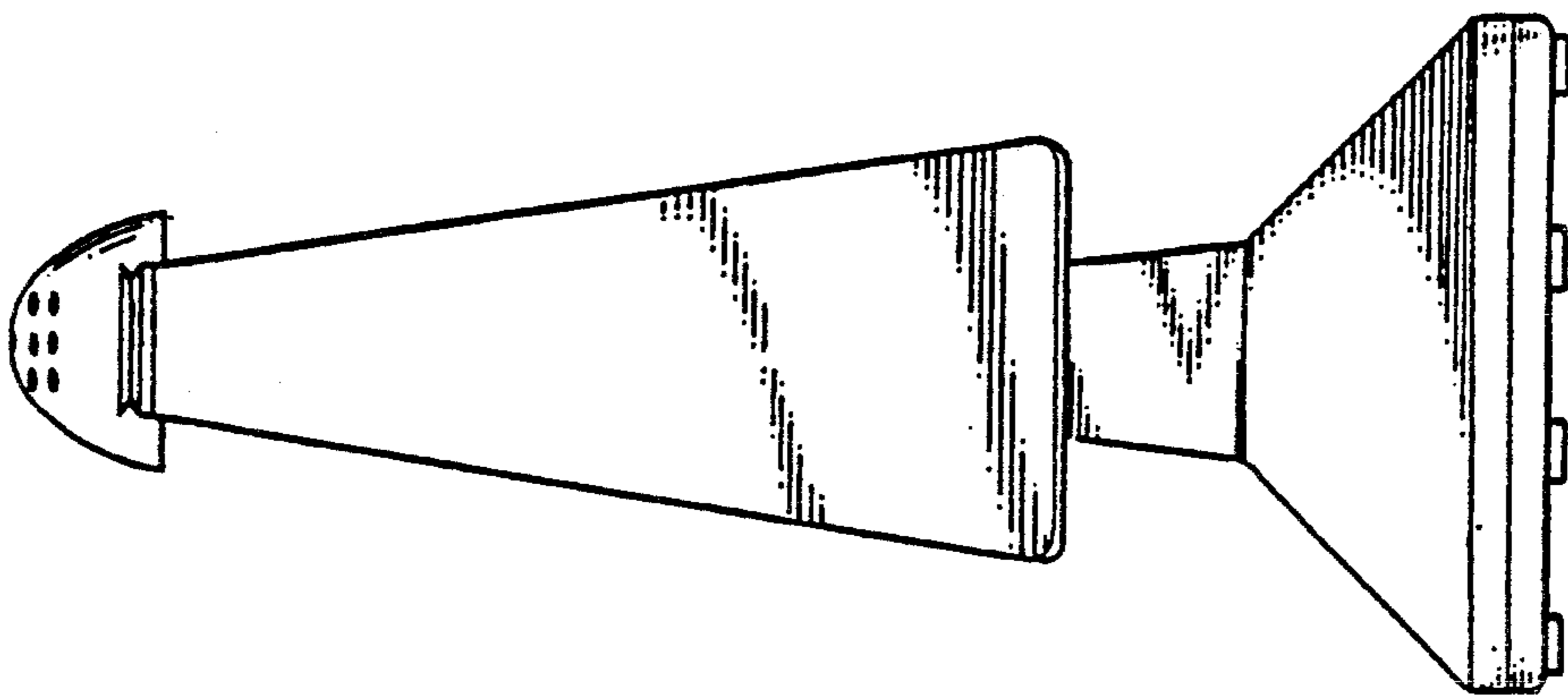


FIG. 3

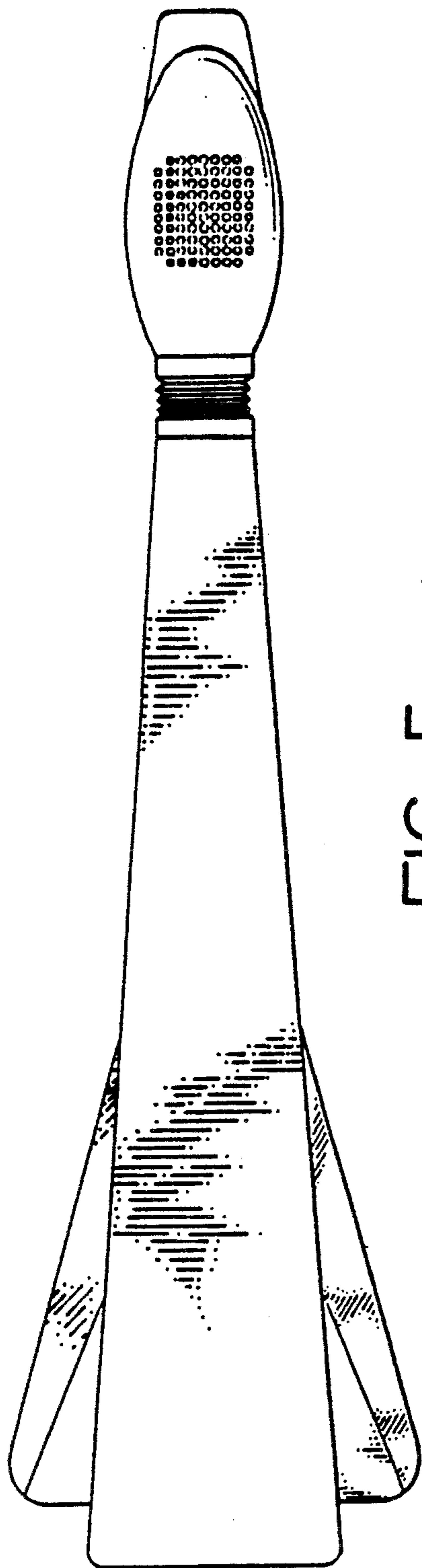


FIG. 5

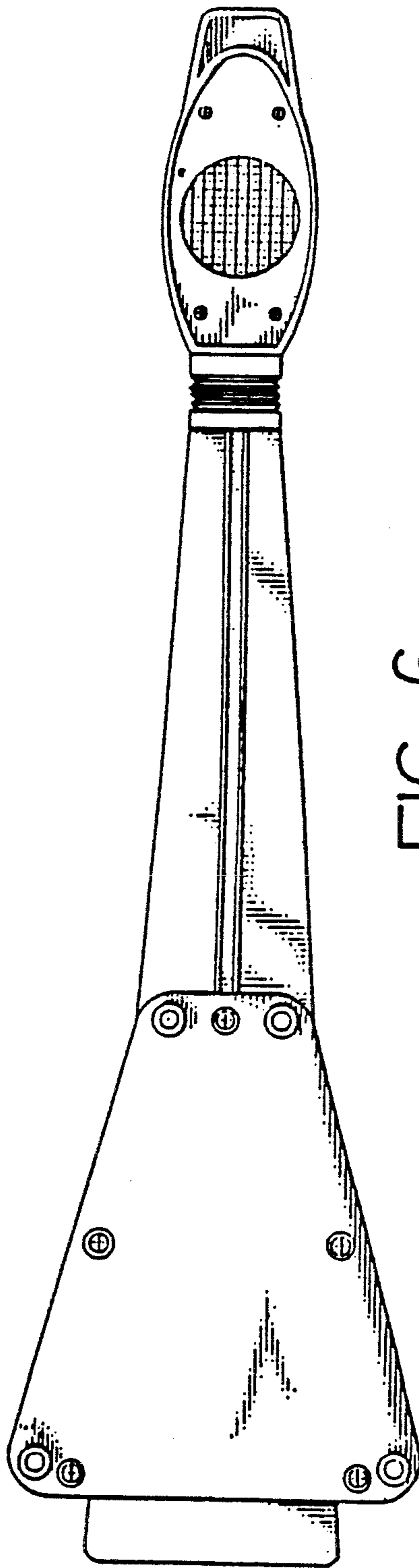


FIG. 6

UNITED STATES PATENT AND TRADEMARK OFFICE  
**CERTIFICATE OF CORRECTION**

PATENT NO. : Des 321,948

DATED : November 26, 1991

INVENTOR(S) : James C.S. Huang

It is certified that error appears in the above-identified patent and that said Letters Patent is hereby corrected as shown below:

**On the title page: Item [76]:**

The correct address of the inventor should read as follows:

--No. 19, Lane 111, Ho Ping Road, Luchou, Taipei Hsien, Taiwan, R.O.C.--

**Signed and Sealed this  
Twenty-seventh Day of April, 1993**

*Attest:*

MICHAEL K. KIRK

*Attesting Officer*

*Acting Commissioner of Patents and Trademarks*