

[54] AUTOMOBILE FRONT COMBINATION LAMP

[75] Inventor: Hiroshi Yamamoto, Yokohama, Japan

[73] Assignee: Mazda Motor Corporation, Hiroshima, Japan

[\*\*] Term: 14 Years

[21] Appl. No.: 187,401

[22] Filed: Apr. 28, 1988

[52] U.S. Cl. .... D26/35

[58] Field of Search ..... D26/28-36, D26/120, 121, 122; 362/61, 80, 80.1, 80.2, 82, 83, 83.2, 83, 3, 326, 329, 362

[56] References Cited

U.S. PATENT DOCUMENTS

D. 252,353	7/1979	Cameron	.....	D26/122
D. 271,811	12/1983	Luthe et al.	.....	D26/122
D. 285,122	8/1986	Fujita	.....	D26/35
D. 293,134	12/1987	Mori	.....	D26/35
D. 301,630	6/1989	Ikeda	.....	D26/28
4,532,578	7/1985	Gaden et al.	.....	362/80 X

OTHER PUBLICATIONS

Road & Track, 1-1987, inside front cover, Ford Escort GT front light.

Road & Track, 1-1987, p. 86, Porsche 928S4 taillight.

Road & Track, 2-1987, p. 36, 1989 Thunderbird, headlight.

Toyota, 1987 brochure, Camry Le Sedan headlight.

Primary Examiner—Susan J. Lucas

Attorney, Agent, or Firm—Fleit, Jacobson, Cohn, Price, Holman & Stern

[57] CLAIM

The ornamental design for an automobile front combination lamp, as shown and described.

DESCRIPTION

FIG. 1 is a front perspective view of the automobile front combination lamp embodying my ornamental design;

FIG. 2 is a front elevational view thereof;

FIG. 3 is left side elevational view thereof;

FIG. 4 is a right side elevational view thereof;

FIG. 5 is a rear elevational view thereof;

FIG. 6 is a top plan view thereof; and

FIG. 7 is a bottom plan view thereof.

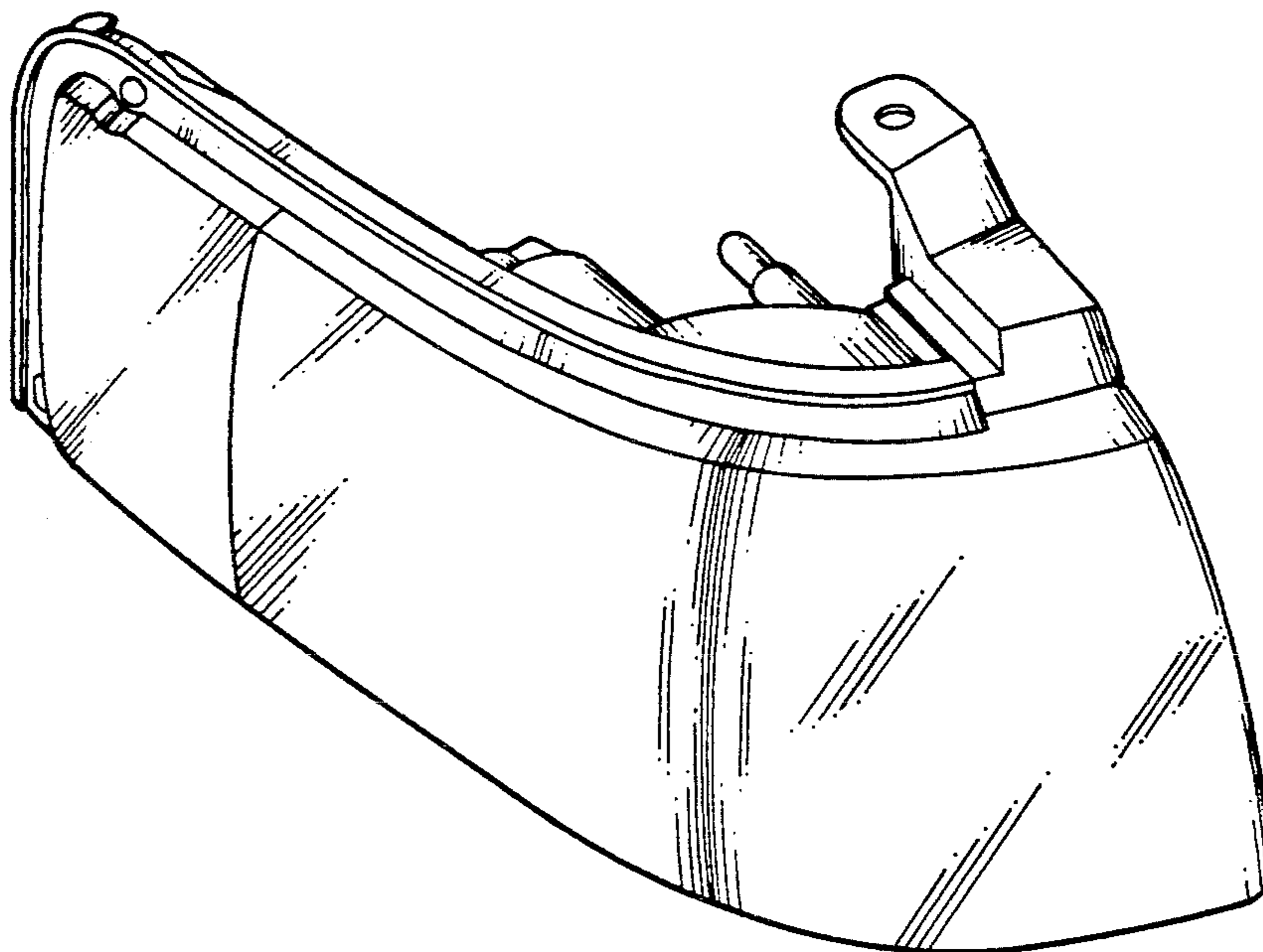


FIG. 1

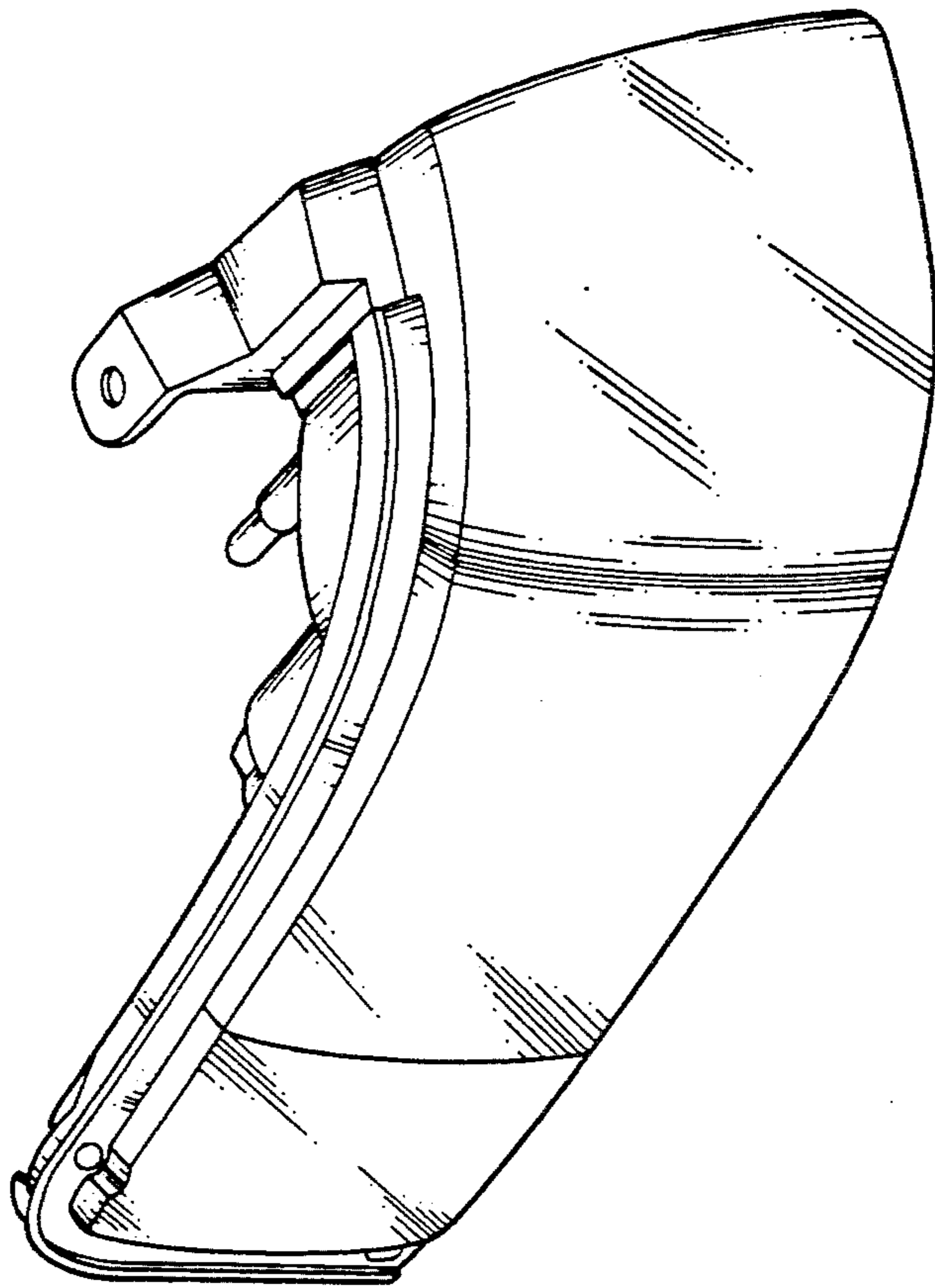


FIG. 3

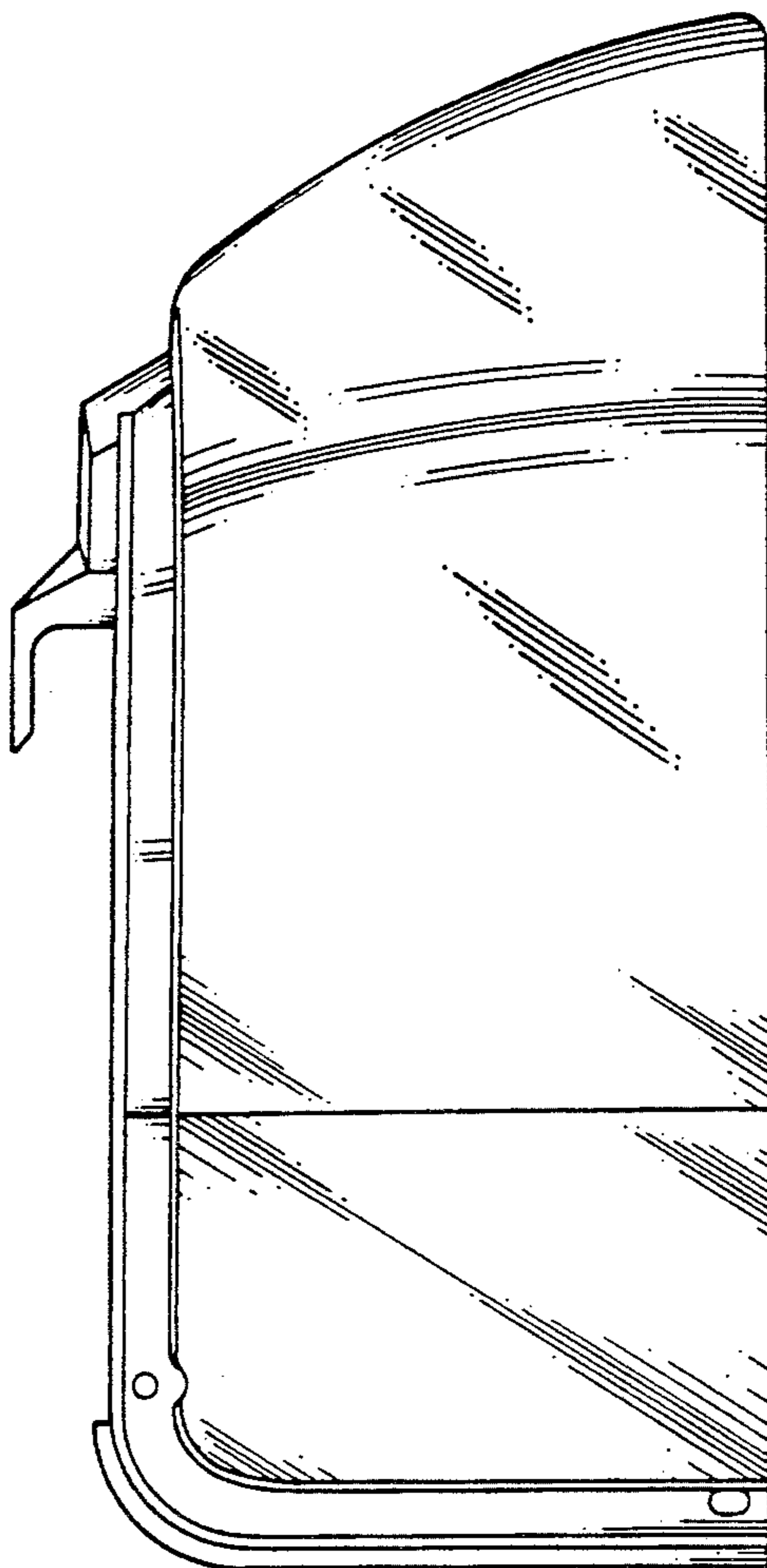


FIG. 2

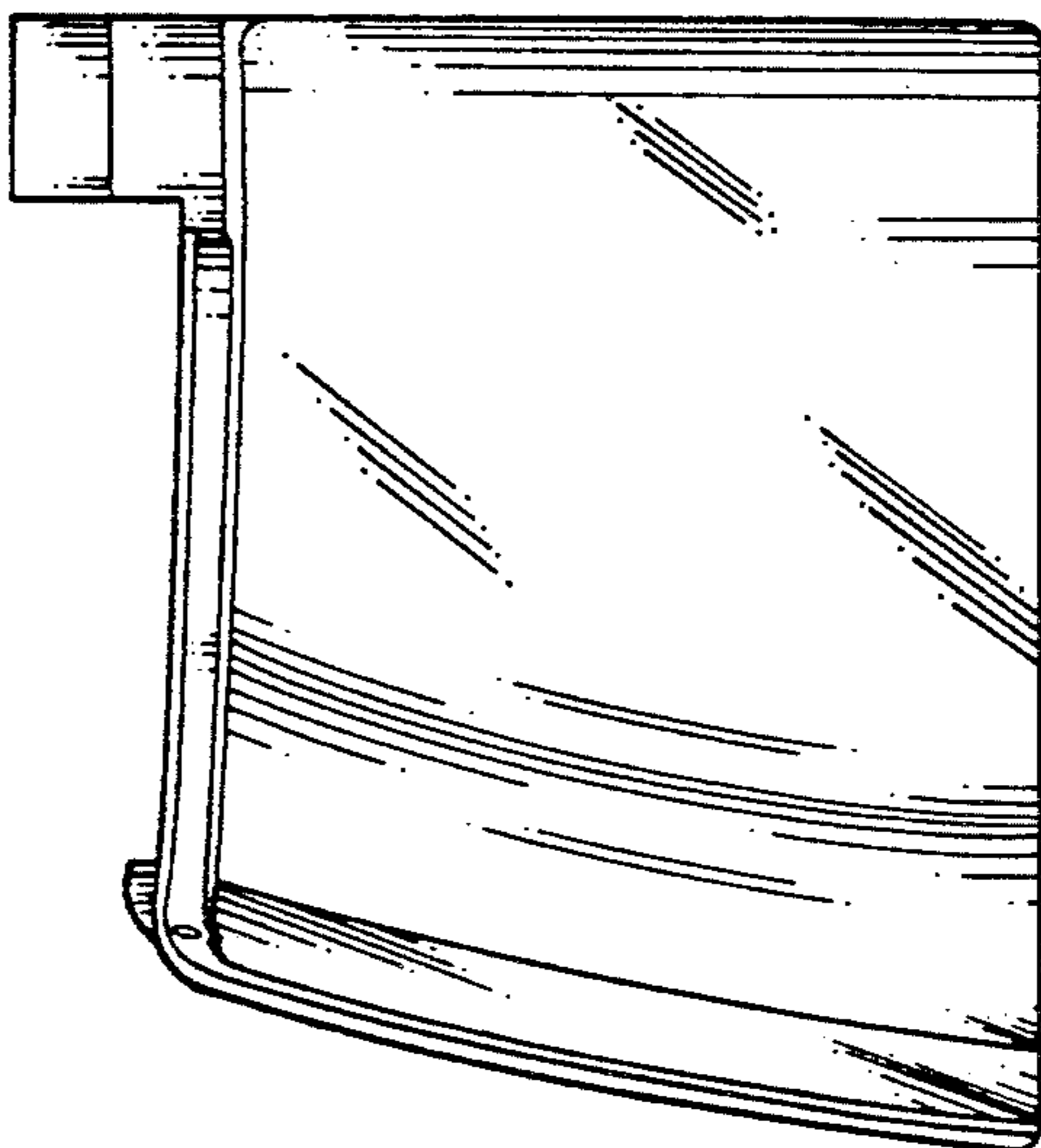


FIG. 5

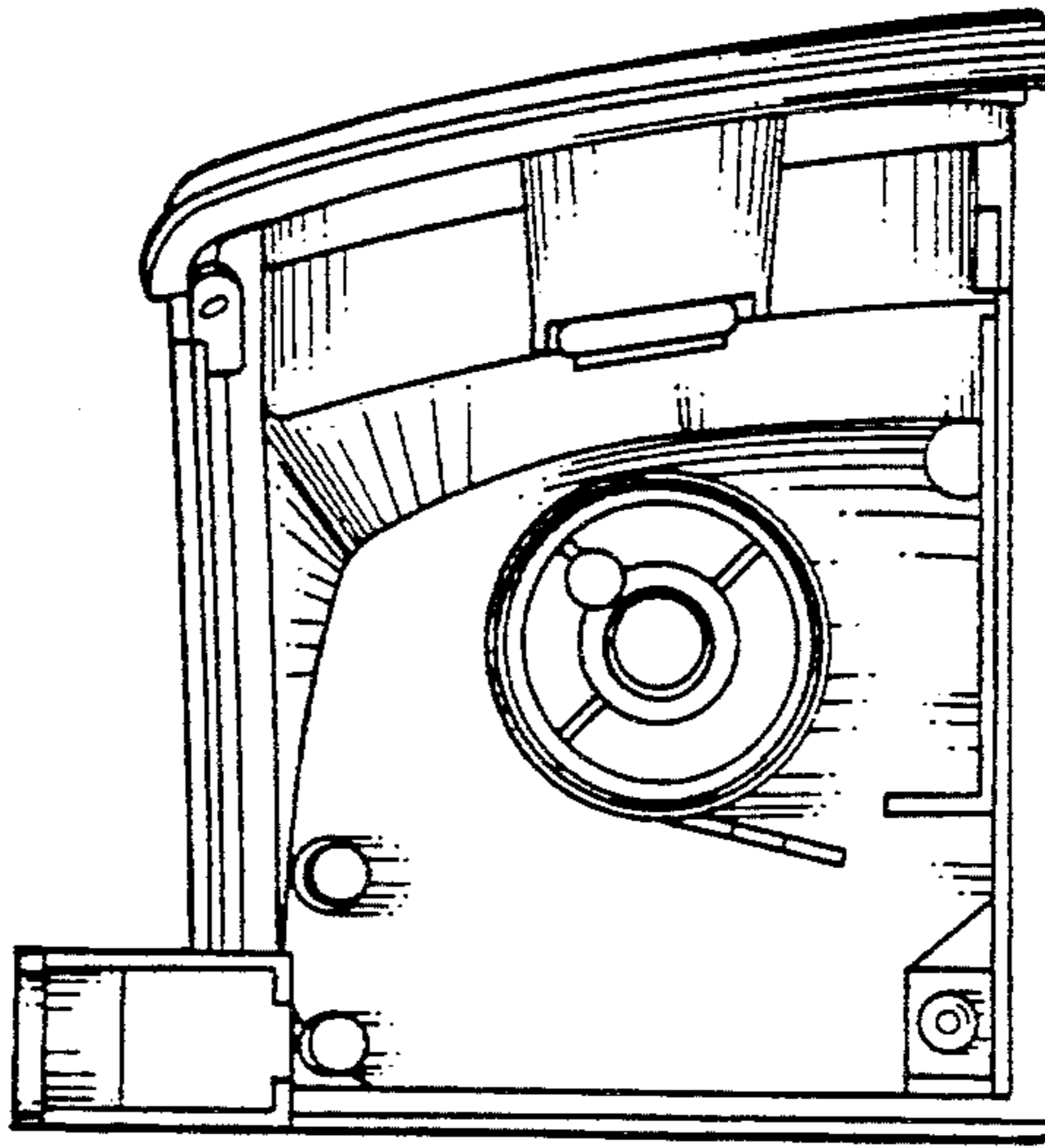


FIG. 4

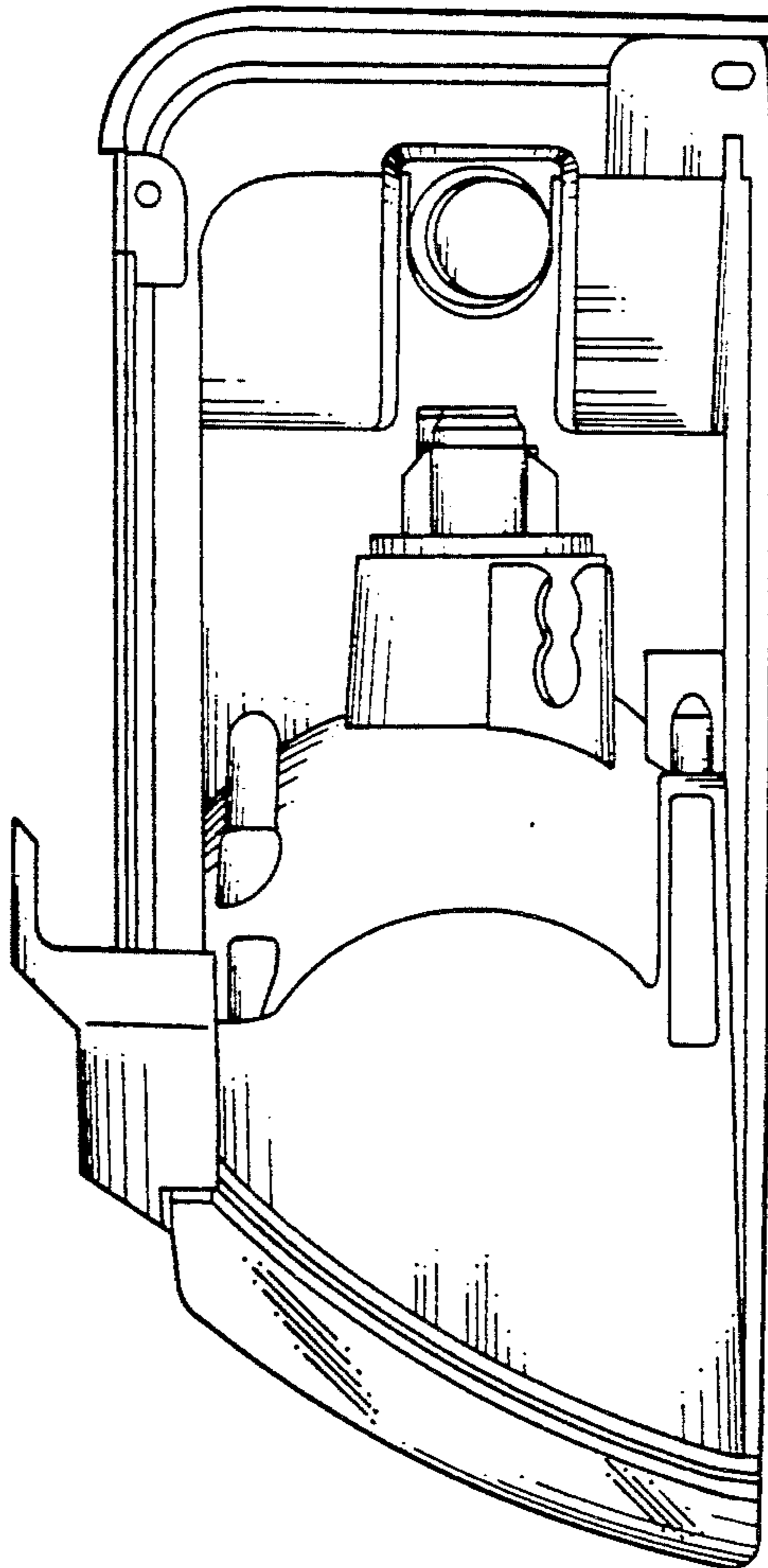


FIG. 6

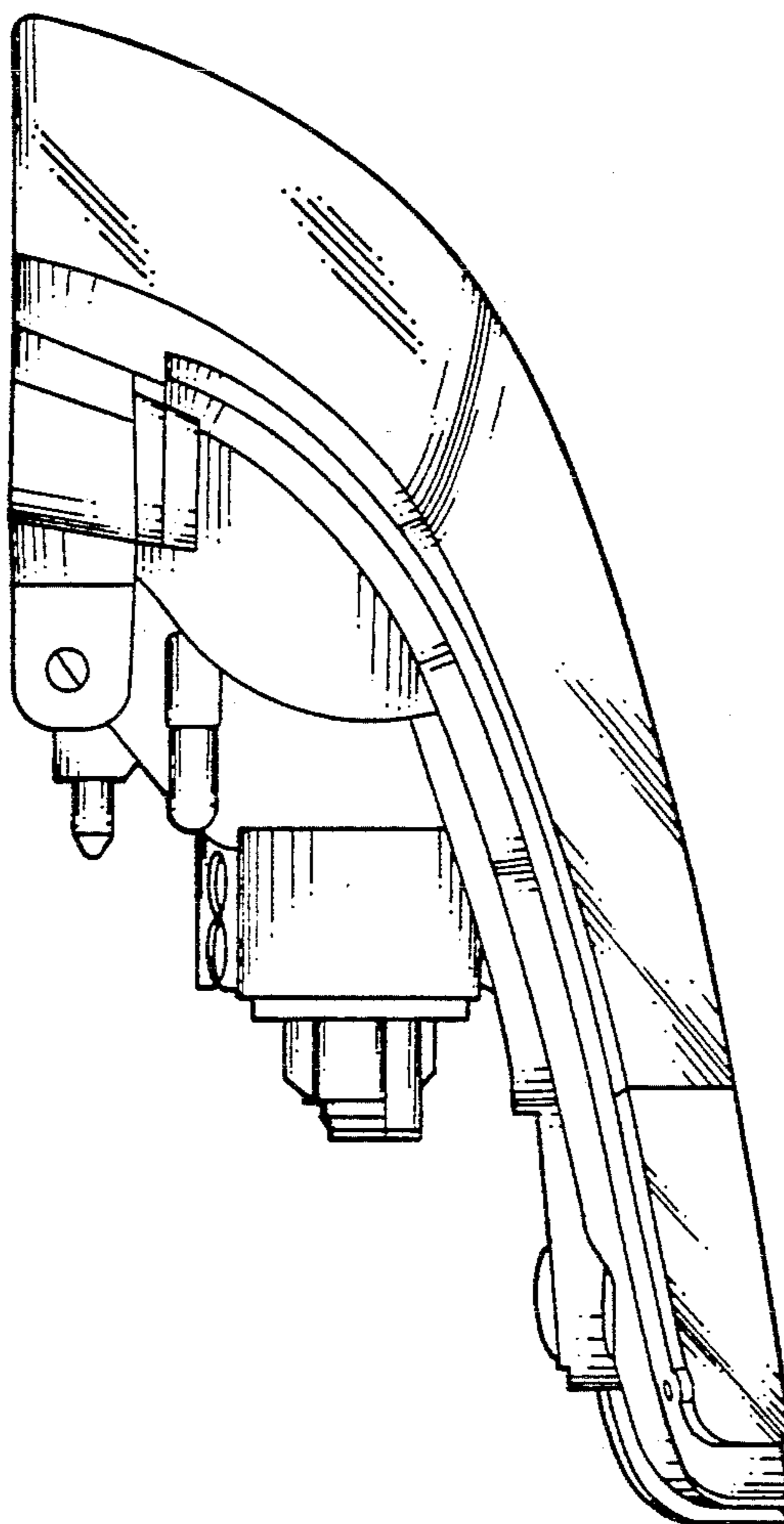


FIG. 7

