

# United States Patent [19]

Malmgren et al.

[11] Patent Number: **Des. 321,944**

[45] Date of Patent: **\*\* Nov. 26, 1991**

[54] **REAR LIGHT FOR AN AUTOMOBILE**

[75] Inventors: **Rolf A. Malmgren, Västra Frölunda;  
Frans G. Falck, Torslanda, both of  
Sweden**

[73] Assignee: **Aktiebolaget Volvo, Gothenburg,  
Sweden**

[\*\*] Term: **14 Years**

[21] Appl. No.: **368,534**

[22] Filed: **Jun. 20, 1989**

[52] U.S. Cl. .... **D26/28**

[58] Field of Search ..... **D26/28-36,  
D26/120, 122; 362/61, 80, 80.1, 81, 82, 83, 83.2,  
83.3, 267, 326, 334**

[56] **References Cited**

**U.S. PATENT DOCUMENTS**

D. 293,938 1/1988 Soma ..... **D26/28**

D. 295,899 5/1988 Ienaga et al. .... **D26/28**  
4,796,165 1/1989 Metti ..... **362/61 X**

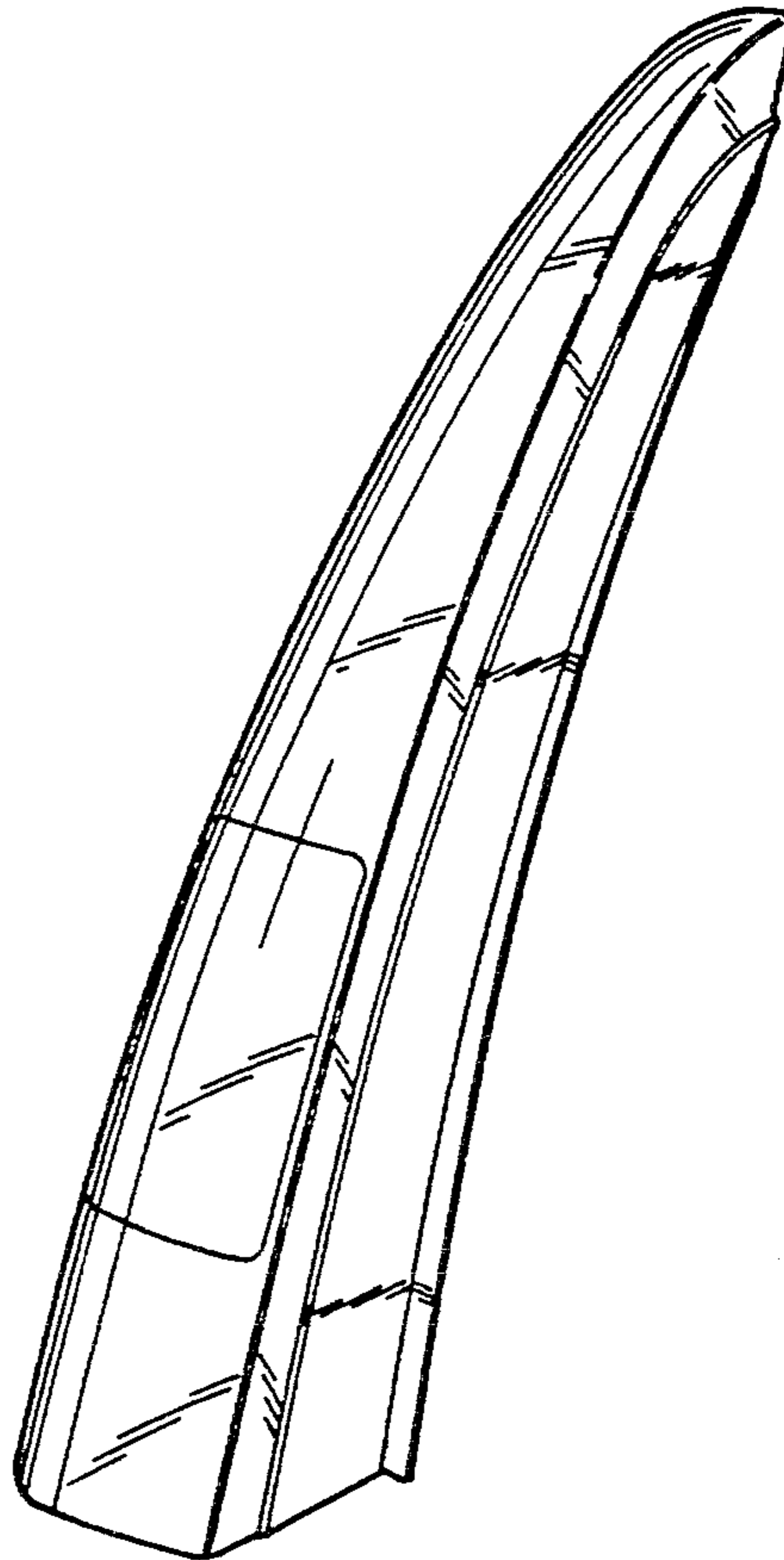
*Primary Examiner*—Susan J. Lucas  
*Attorney, Agent, or Firm*—Young & Thompson

[57] **CLAIM**

The ornamental design for a rear light for an automobile, as shown and described.

**DESCRIPTION**

FIG. 1 is a front elevational view of a rear light for an automobile showing our new design;  
FIG. 2 is a rear elevational view thereof;  
FIG. 3 is a side elevational view thereof as seen from the right hand side of FIG. 1;  
FIG. 4 is a side elevational view thereof as seen from the left hand side of FIG. 1;  
FIG. 5 is a front, right hand side perspective view thereof;  
FIG. 6 is a rear, left hand side perspective view thereof;  
FIG. 7 is a bottom, rear perspective view thereof.



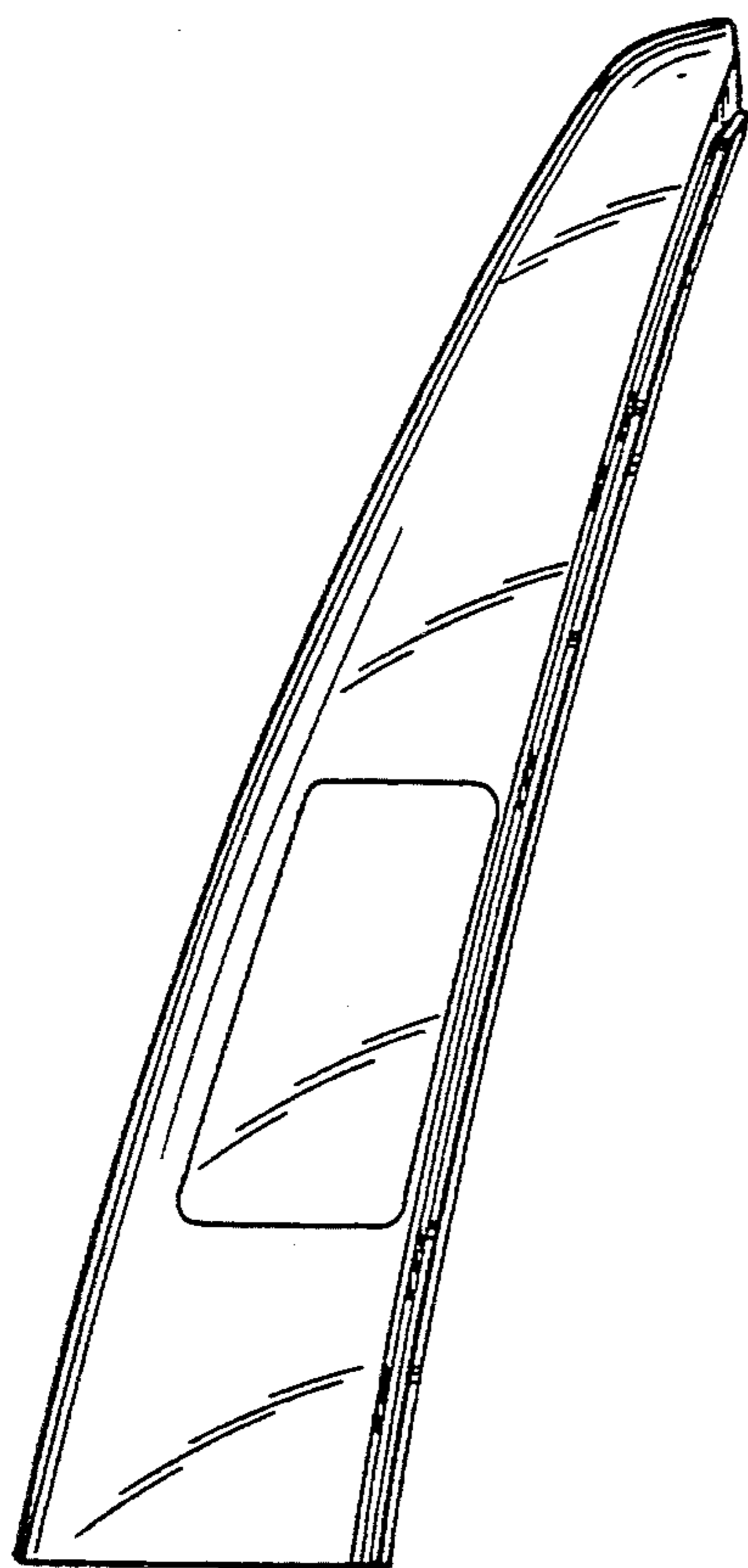


FIG. 1

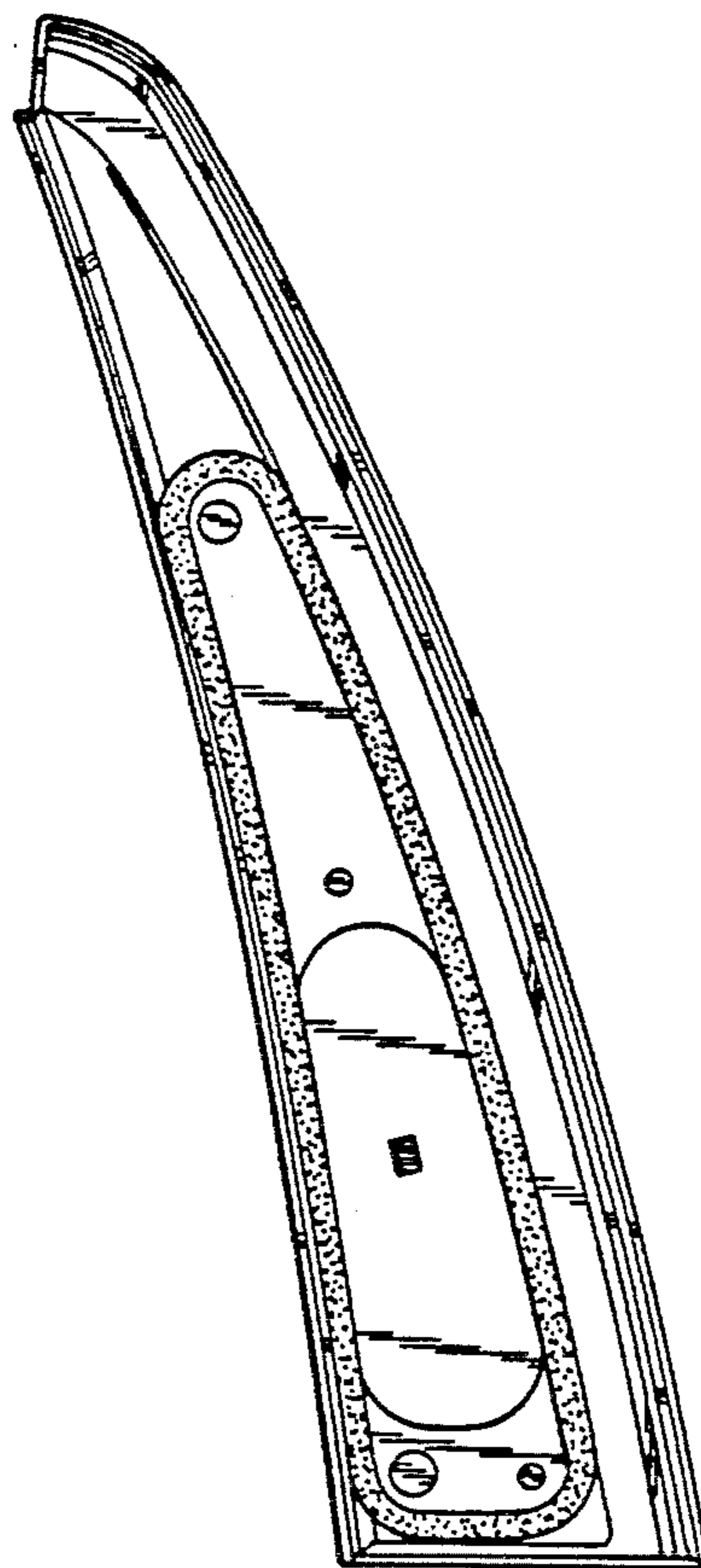


FIG. 2

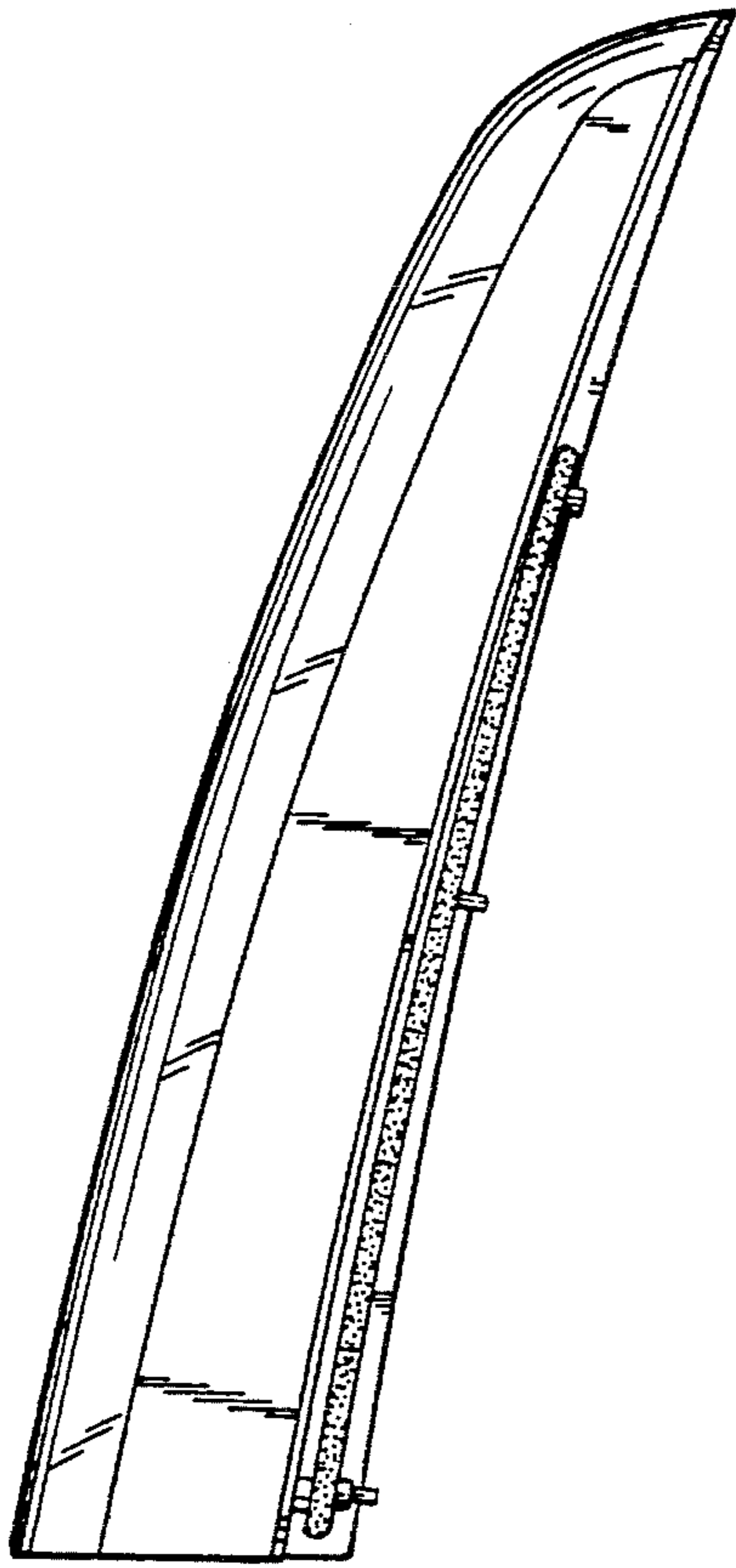


FIG. 3

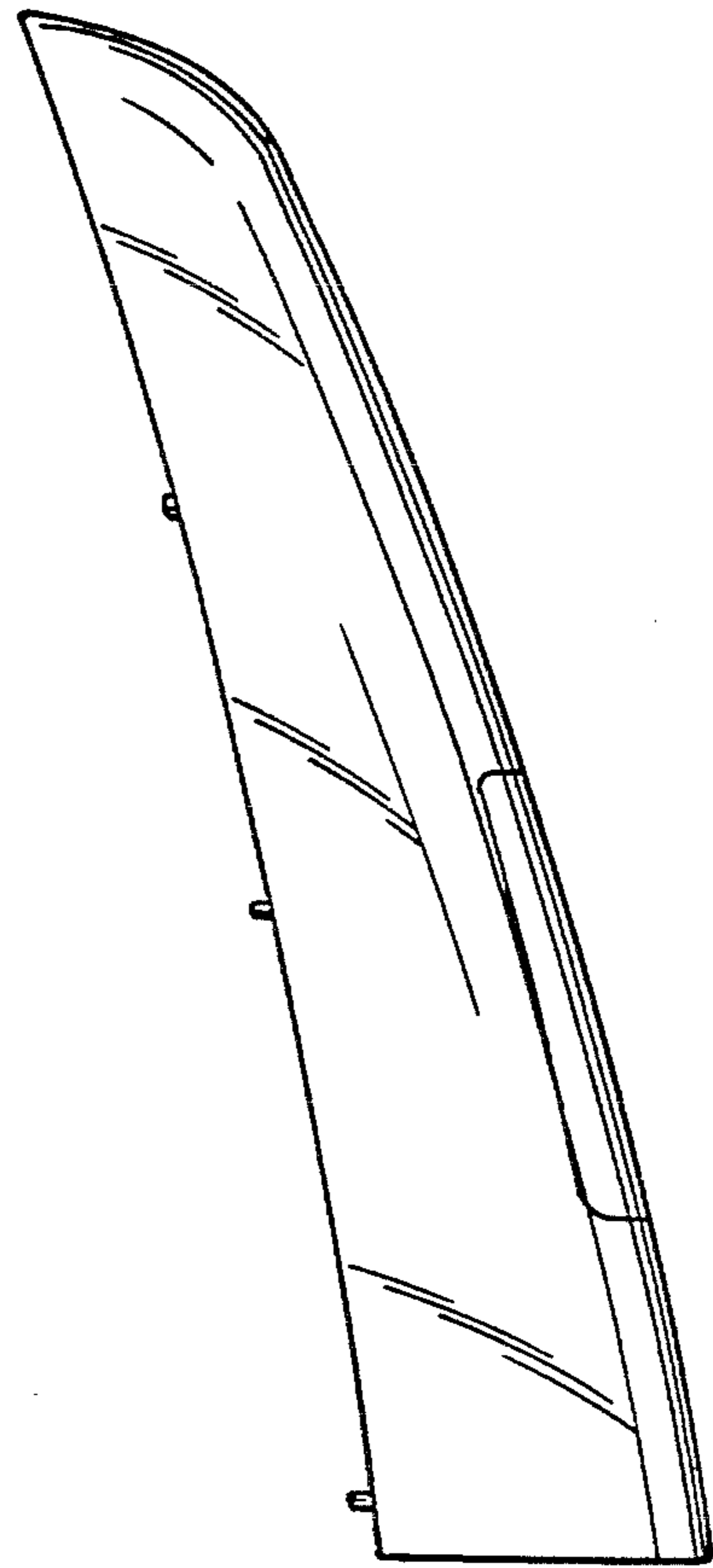


FIG. 4

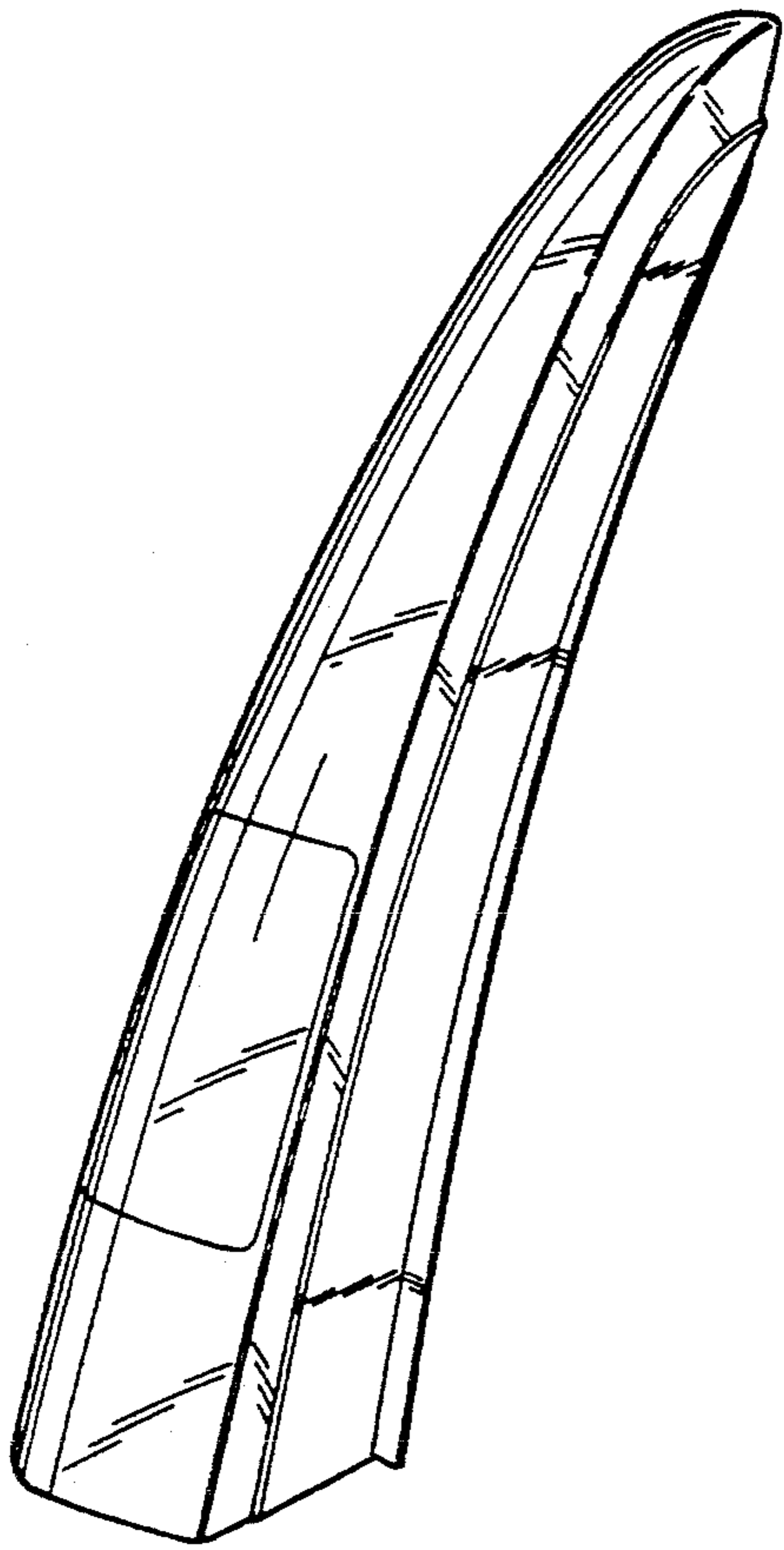


FIG. 5

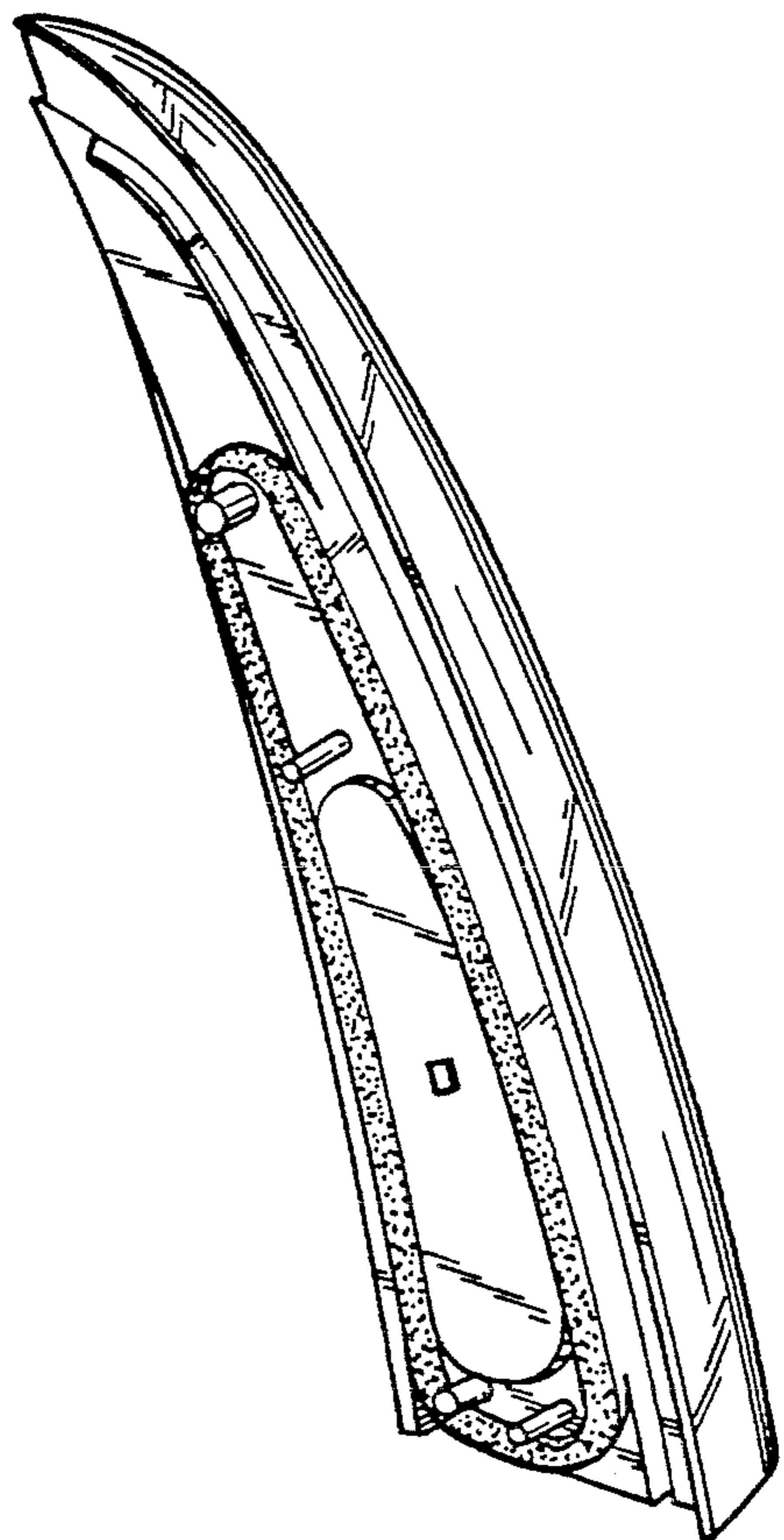


FIG. 6

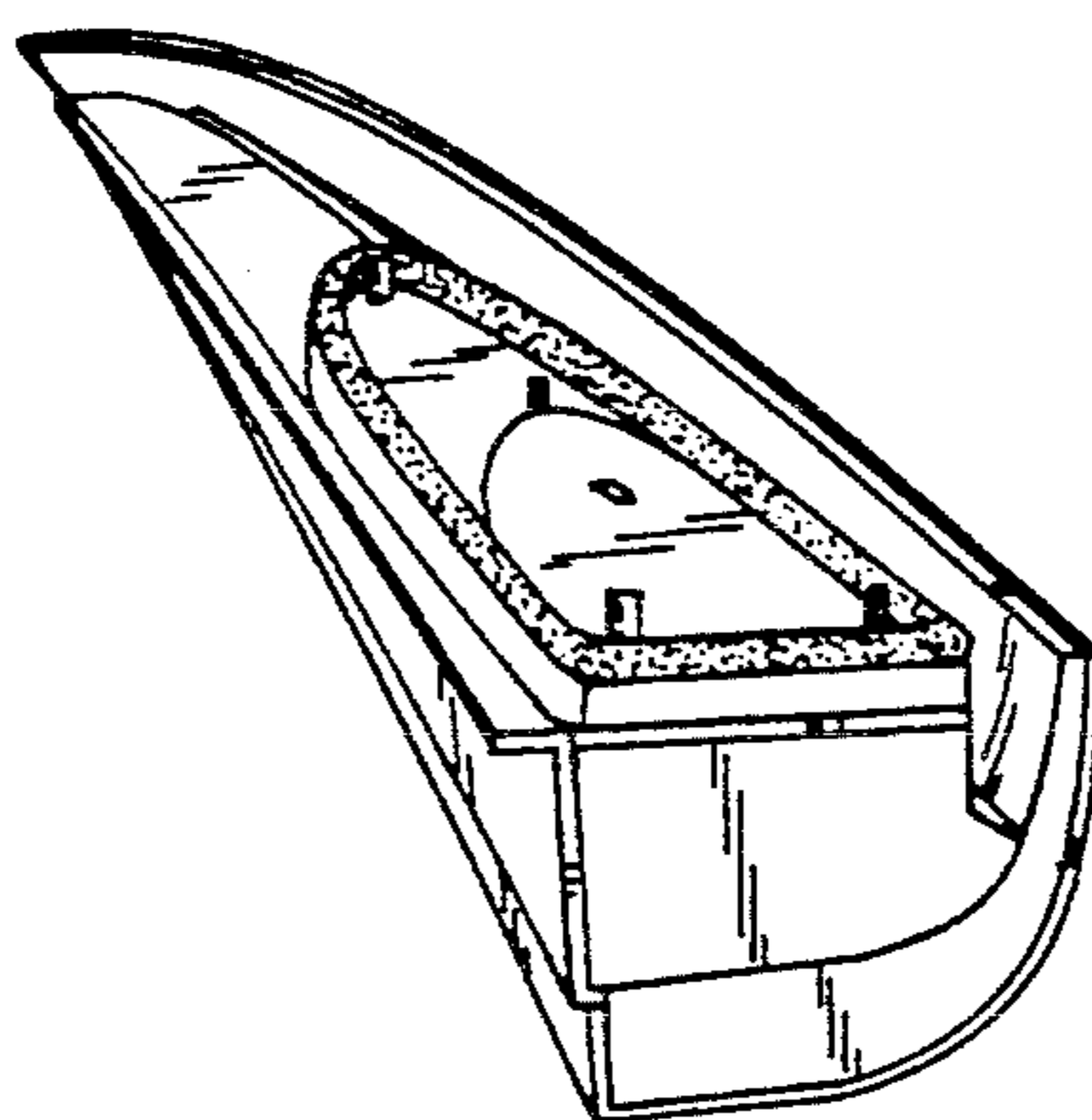


FIG. 7