

[54] **TILE**

[75] Inventor: **Michael E. Lynn**, Leigh, England

[73] Assignee: **Marley Tile A.G.**, Zurich, Switzerland

[**] Term: **14 Years**

[21] Appl. No.: **150,314**

[22] Filed: **Jan. 27, 1988**

[30] **Foreign Application Priority Data**

Jul. 27, 1987 [GB] United Kingdom 1043681

[52] U.S. Cl. **D25/140**

[58] Field of Search D25/139, 138, 140, 145, D25/147, 151, 153, 155, 157, 163; 52/188, 314, 316, 384-387, 389-390, 578, 581, 583, 584

[56]

References Cited

U.S. PATENT DOCUMENTS

973,946 10/1910 Lindar 52/553

FOREIGN PATENT DOCUMENTS

1009355 3/1952 France 52/518

2191226 12/1987 United Kingdom 52/518

Primary Examiner—A. Hugo Word

Assistant Examiner—Doris Clark

Attorney, Agent, or Firm—Bacon & Thomas

[57]

CLAIM

The ornamental design for a tile, as shown.

DESCRIPTION

FIG. 1 is a top perspective view of a tile showing my new design; and

FIG. 2 is a bottom perspective view thereof.

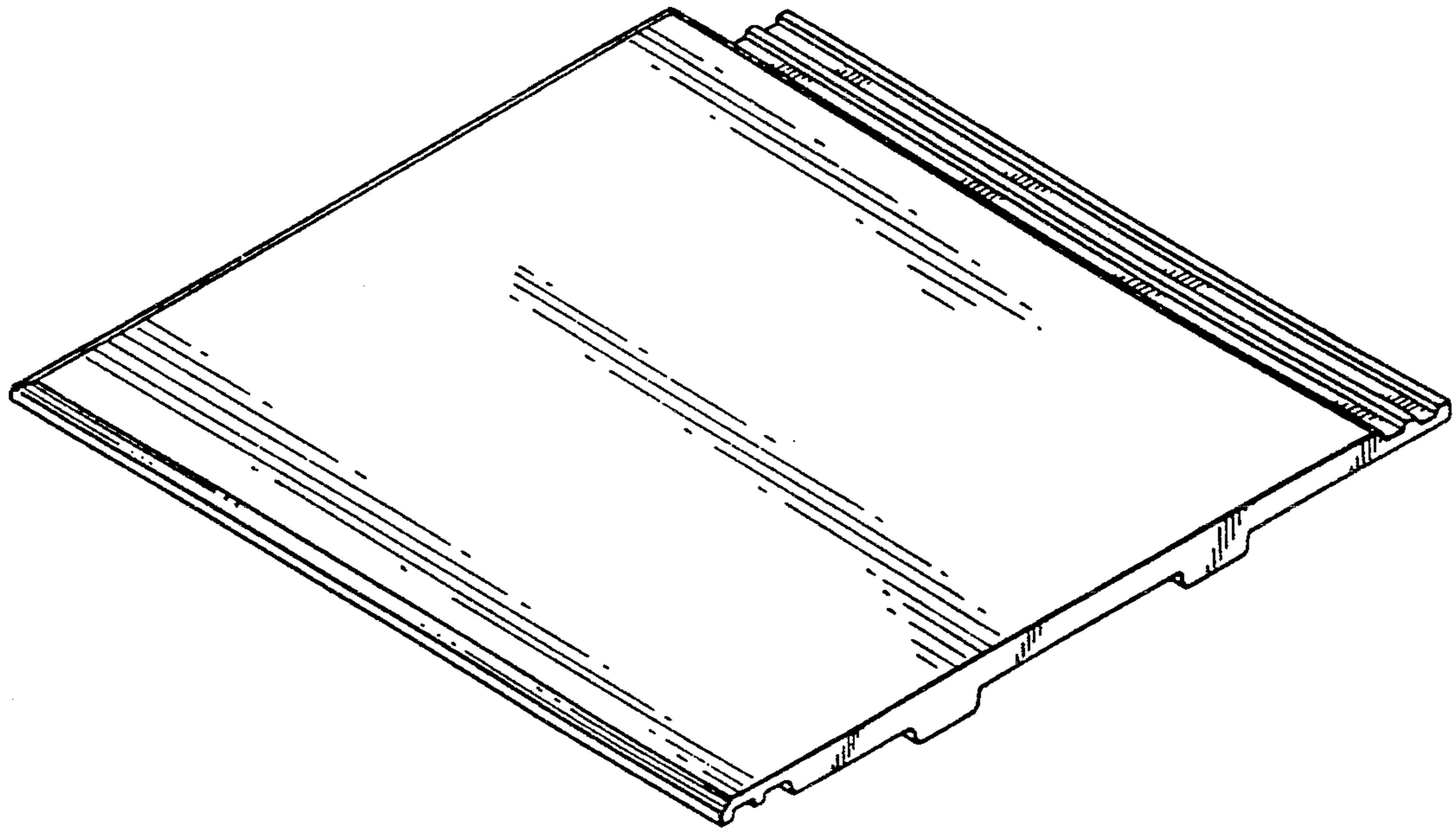


FIG.1.

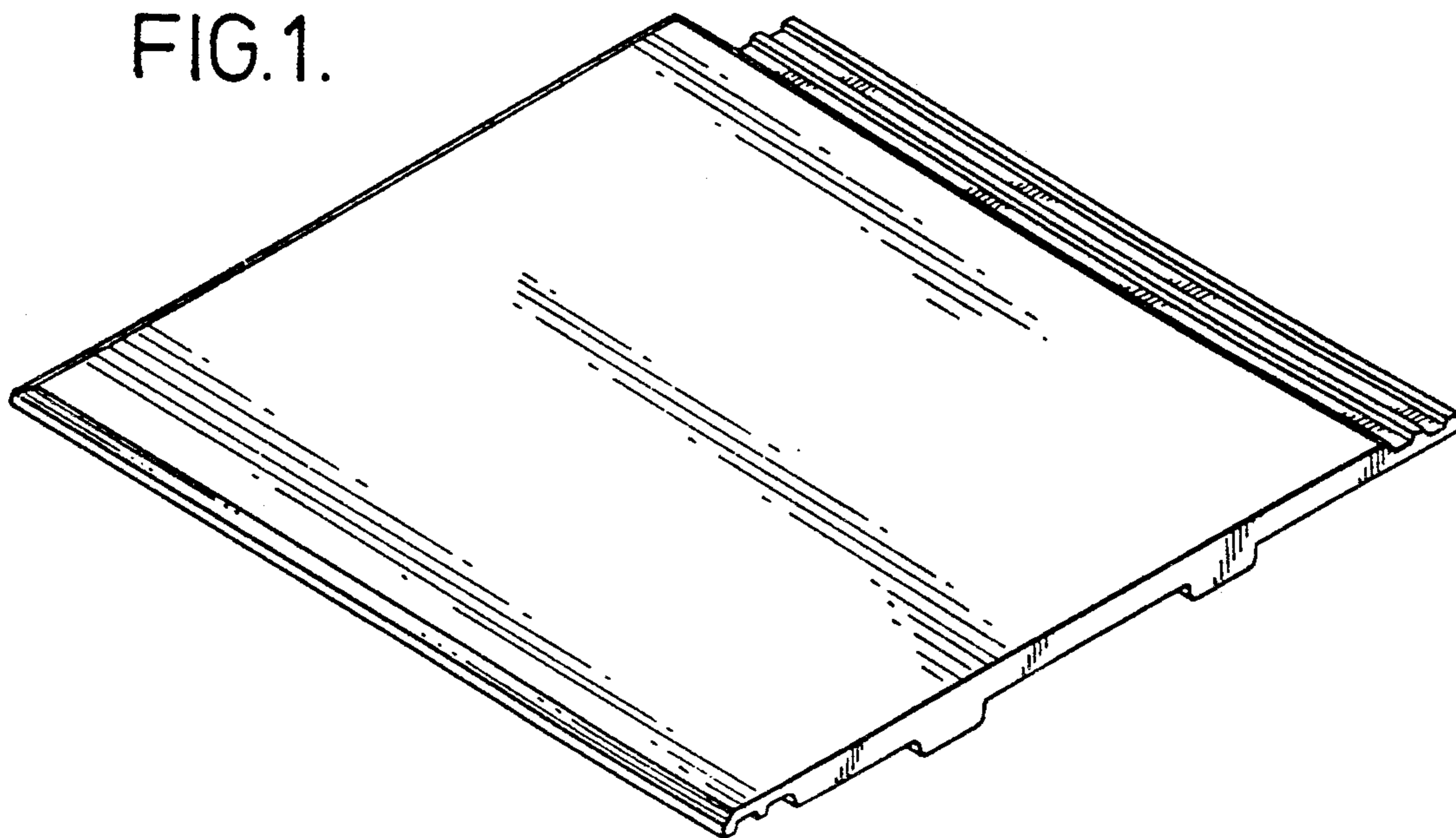


FIG.2.

