

[54] SAMPLE CUP FOR ANALYZER

D. 309,779 8/1990 D'Aquino et al. D24/226
1,952,729 3/1934 Rawlings D15/90

[75] Inventors: Michael D'Aquino; Manjeshwar S. Rao, both of Miami; Howard J. Kirchick, Cooper City, all of Fla.

OTHER PUBLICATIONS

Woodies Catalog, May 4, 1986, Red Hot Gadget Specials, Sip-A-Pop, Item #12P, center of page, p. 11.

[73] Assignee: Baxter Diagnostics Inc., Deerfield, Ill.

Primary Examiner—Stella Reid
Attorney, Agent, or Firm—Susan B. Fentress; Paul C. Flattery; Vasilios D. Dossas

[**] Term: 14 Years

[21] Appl. No.: 383,136

[57] CLAIM

[22] Filed: Jul. 20, 1989

The ornamental design for a sample cup for analyzer, as shown and described.

[52] U.S. Cl. D24/226; D7/672; D15/90

DESCRIPTION

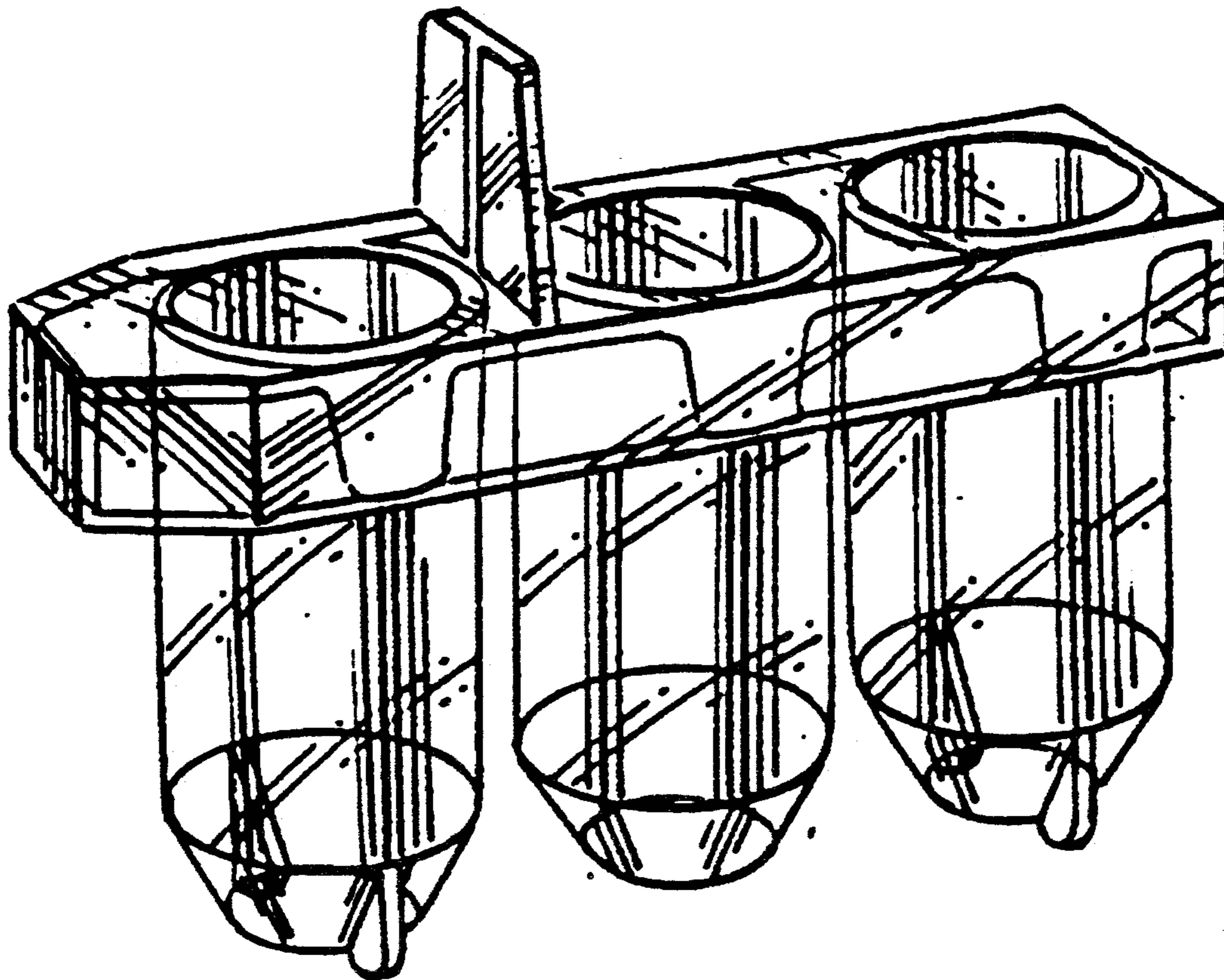
[58] Field of Search D24/226, 224; 422/61, 422/58, 102; 206/557, 558, 560-564; 436/45, 165, 177, 808, 809; D7/672, 674, 357; D9/341; D15/90

FIG. 1 is a perspective view of a sample cup for analyzer showing our new design;
FIG. 2 is a top plan view thereof;
FIG. 3 is a front elevational view thereof;
FIG. 4 is a rear elevational view thereof;
FIG. 5 is a side elevational view thereof;
FIG. 6 is a side elevational view thereof, opposite that shown in FIG. 5; and
FIG. 7 is a bottom plan view thereof.

[56] References Cited

U.S. PATENT DOCUMENTS

D. 273,807 5/1984 Holen D24/226
D. 285,118 8/1986 Huang D24/226
D. 298,652 11/1988 Hollar et al. D24/226



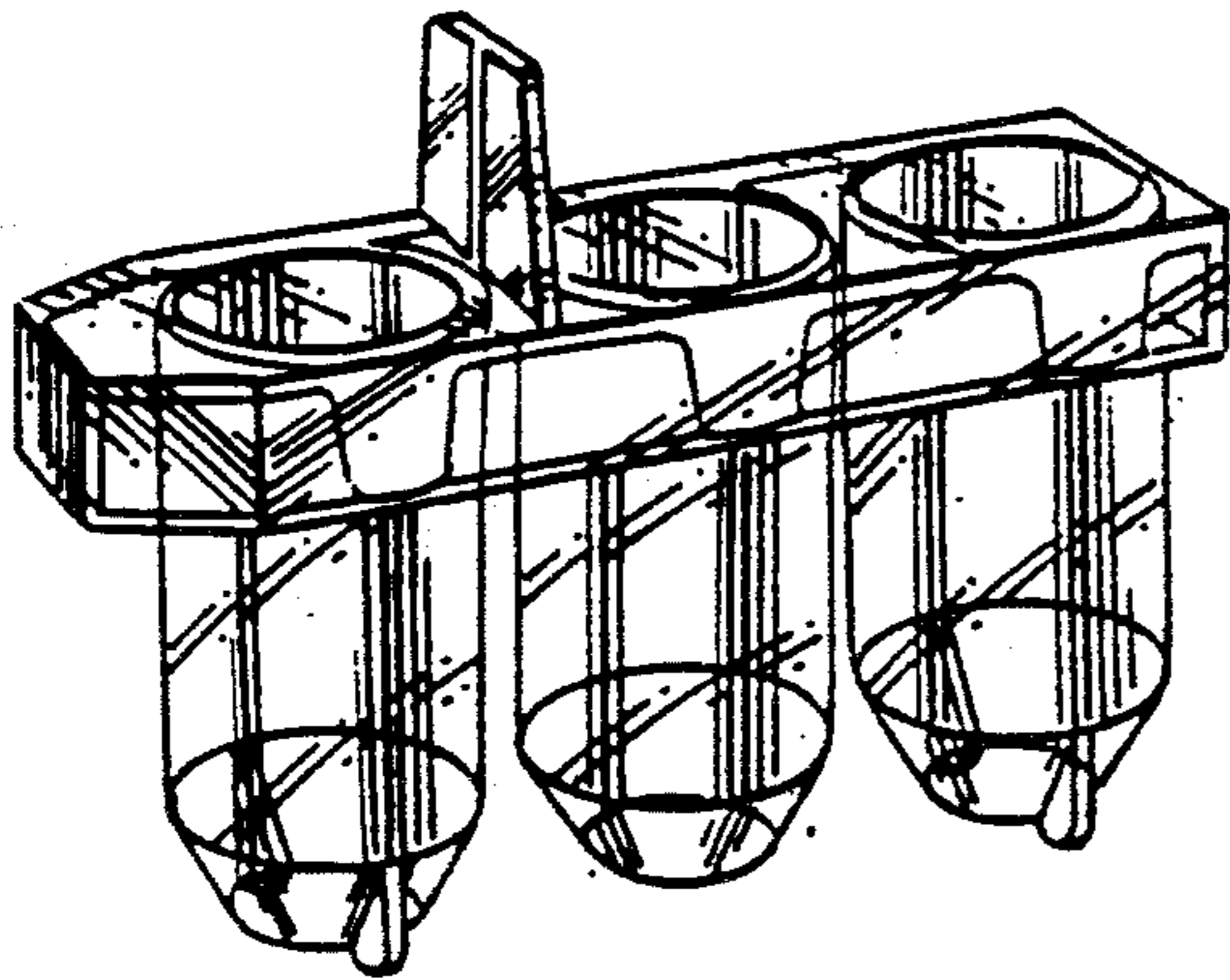


FIG. 1

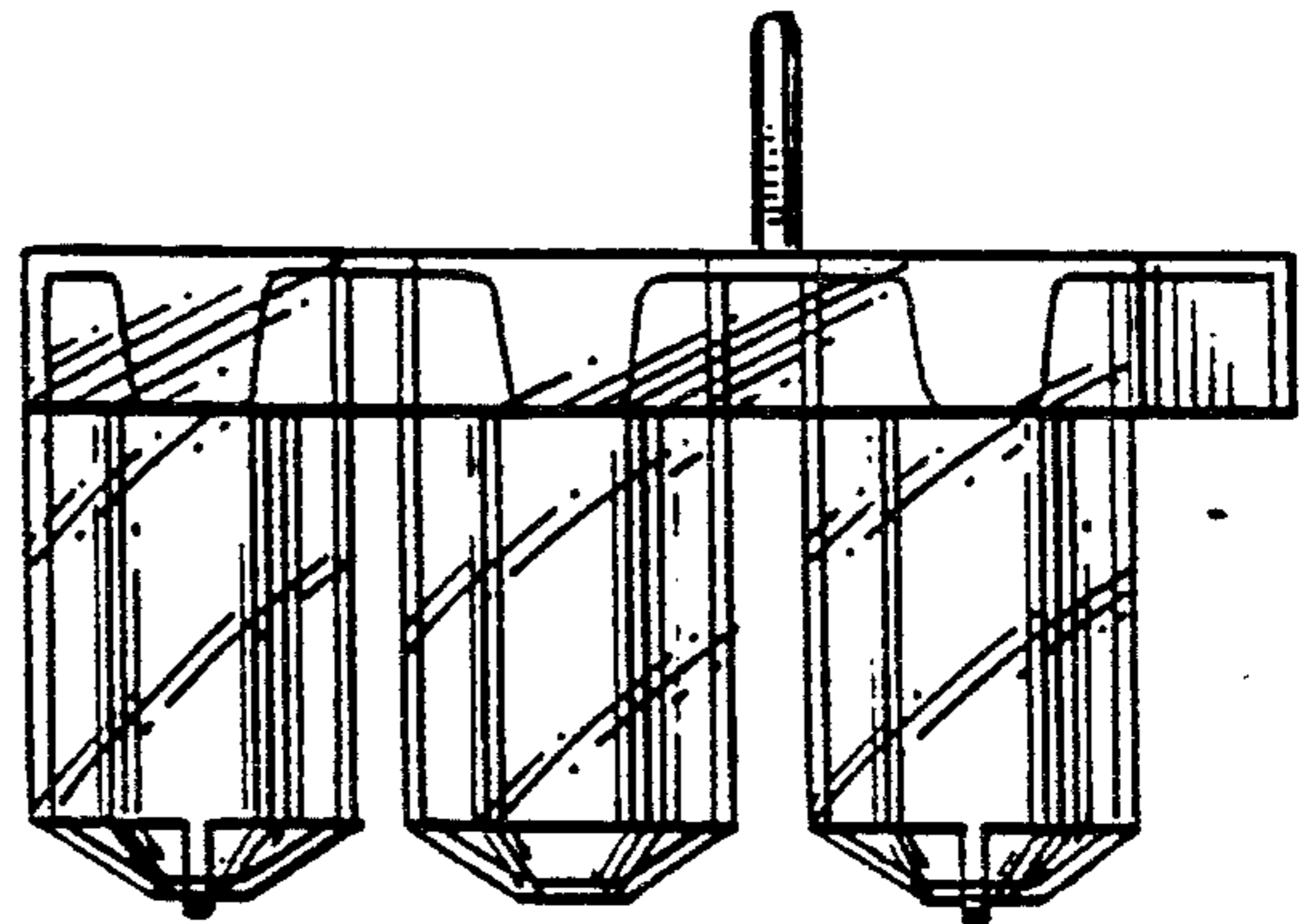


FIG. 6

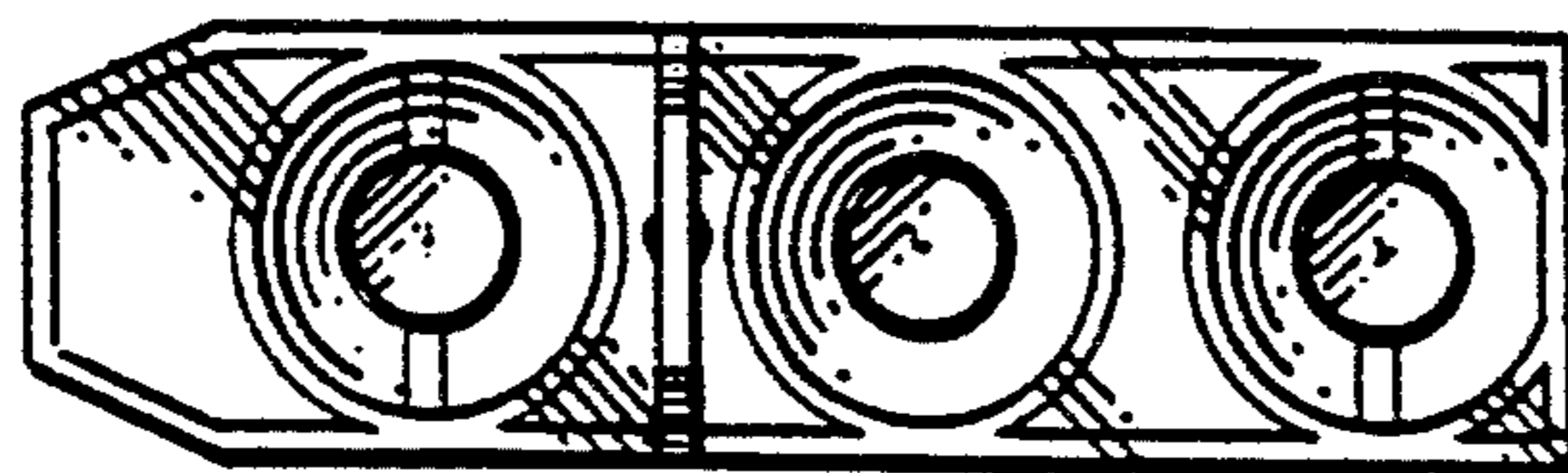


FIG. 2

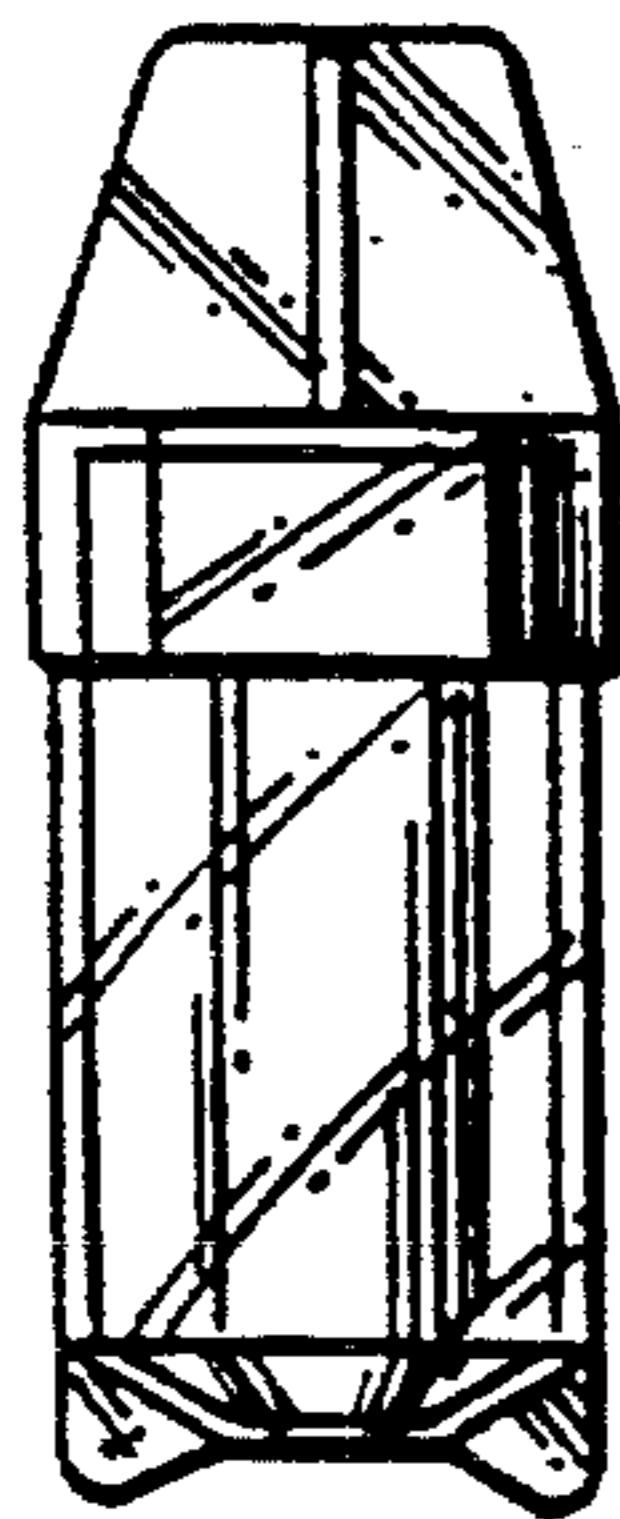


FIG. 3

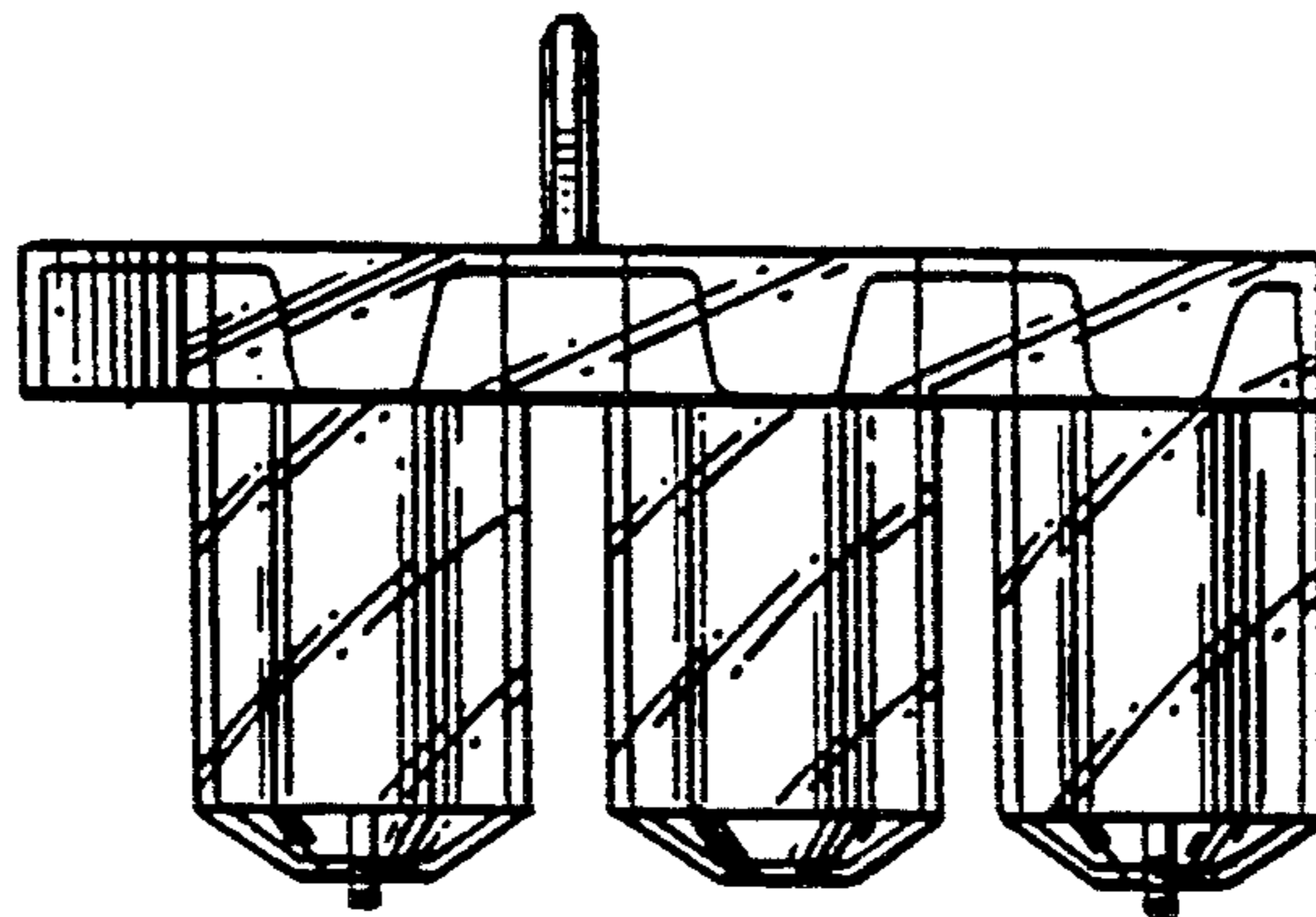


FIG. 5

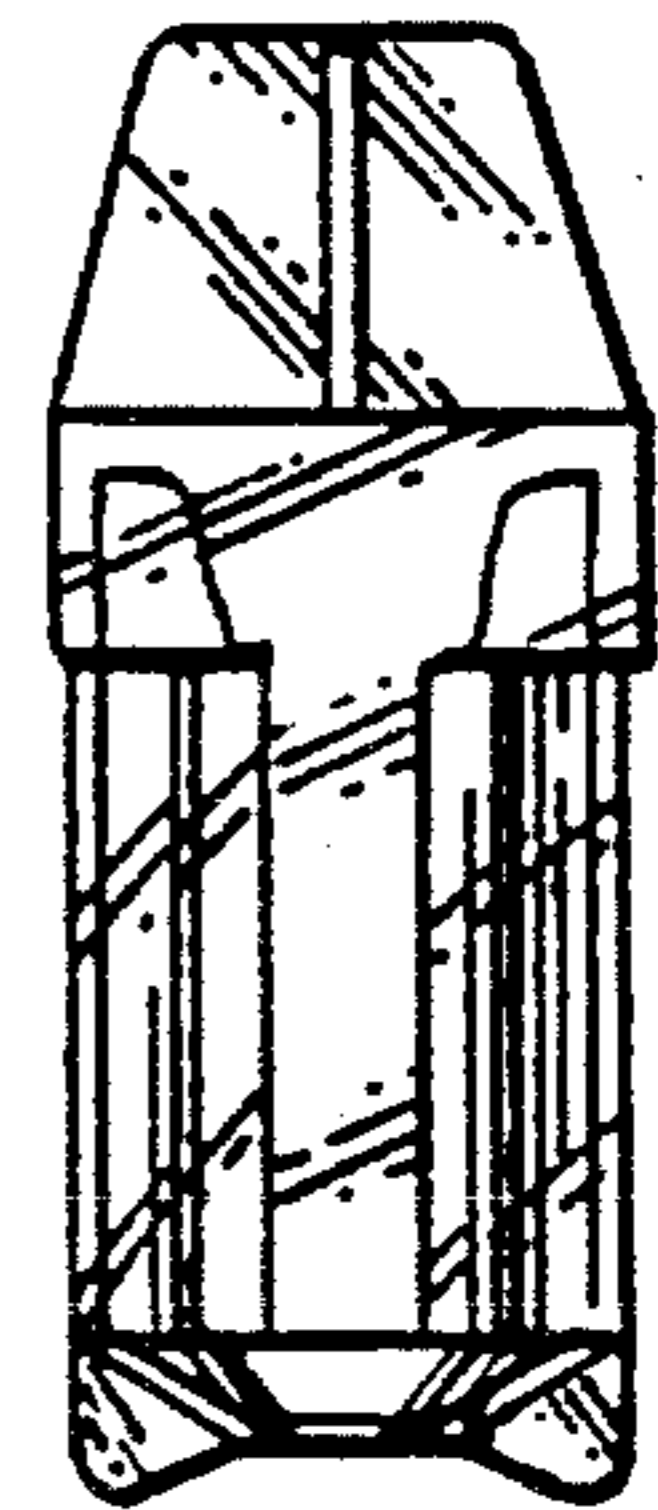


FIG. 4

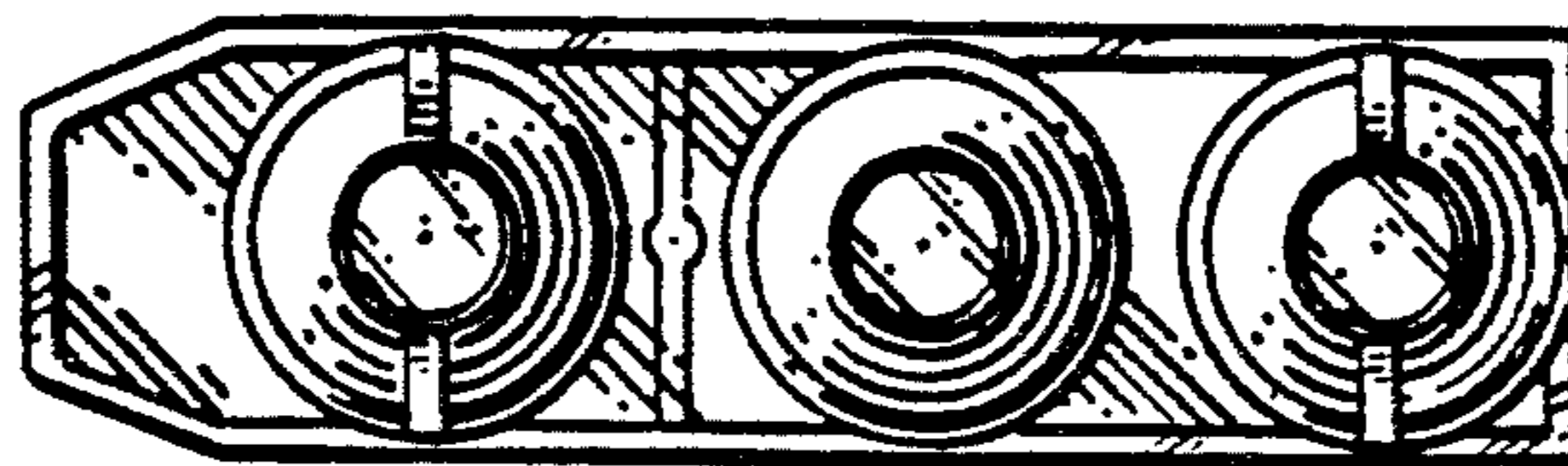


FIG. 7