

United States Patent [19]

Logue et al.

[11] Patent Number: **Des. 321,934**

[45] Date of Patent: **** Nov. 26, 1991**

[54] **VENT FOR MOUNTING ON WINDOW SILL OR FRAME**

[75] Inventors: **Alan V. Logue; William Divers**, both of Dunmurry Belfast, Northern Ireland

[73] Assignee: **Brook Design Products Limited**, Dunmurry, Northern Ireland

[**] Term: **14 Years**

[21] Appl. No.: **365,561**

[22] Filed: **Jun. 14, 1989**

[30] **Foreign Application Priority Data**

Dec. 14, 1988 [GB] United Kingdom 1055687

[52] U.S. Cl. **D23/388**

[58] Field of Search D23/370, 371, 390, 391, D23/392, 393, 387, 388; 98/37, 118, 99.8, 98; 52/302, 303

[56] **References Cited**

U.S. PATENT DOCUMENTS

217,215 7/1879 Hayes 98/118

957,680 5/1910 Johanns D23/370
4,700,614 10/1987 Dudzik 98/98

FOREIGN PATENT DOCUMENTS

62035 2/1940 Norway 98/37

Primary Examiner—James M. Gandy
Assistant Examiner—Lisa Lichtenstein
Attorney, Agent, or Firm—Sixbey, Friedman, Leedom & Ferguson

[57] **CLAIM**

The ornamental design for a vent for mounting on window sill or frame, as shown and described.

DESCRIPTION

FIG. 1 is a front, top, and end perspective view of a vent for mounting on window sill or frame, showing our new design;

FIG. 2 is a front elevation view thereof;

FIG. 3 is a rear elevation view thereof; and

FIG. 4 is a cross-sectional view thereof, taken on the line 4—4 in FIG. 2.

The vent for mounting on window sill or frame has been broken away in the middle in FIGS. 1-3, to indicate indeterminate length.

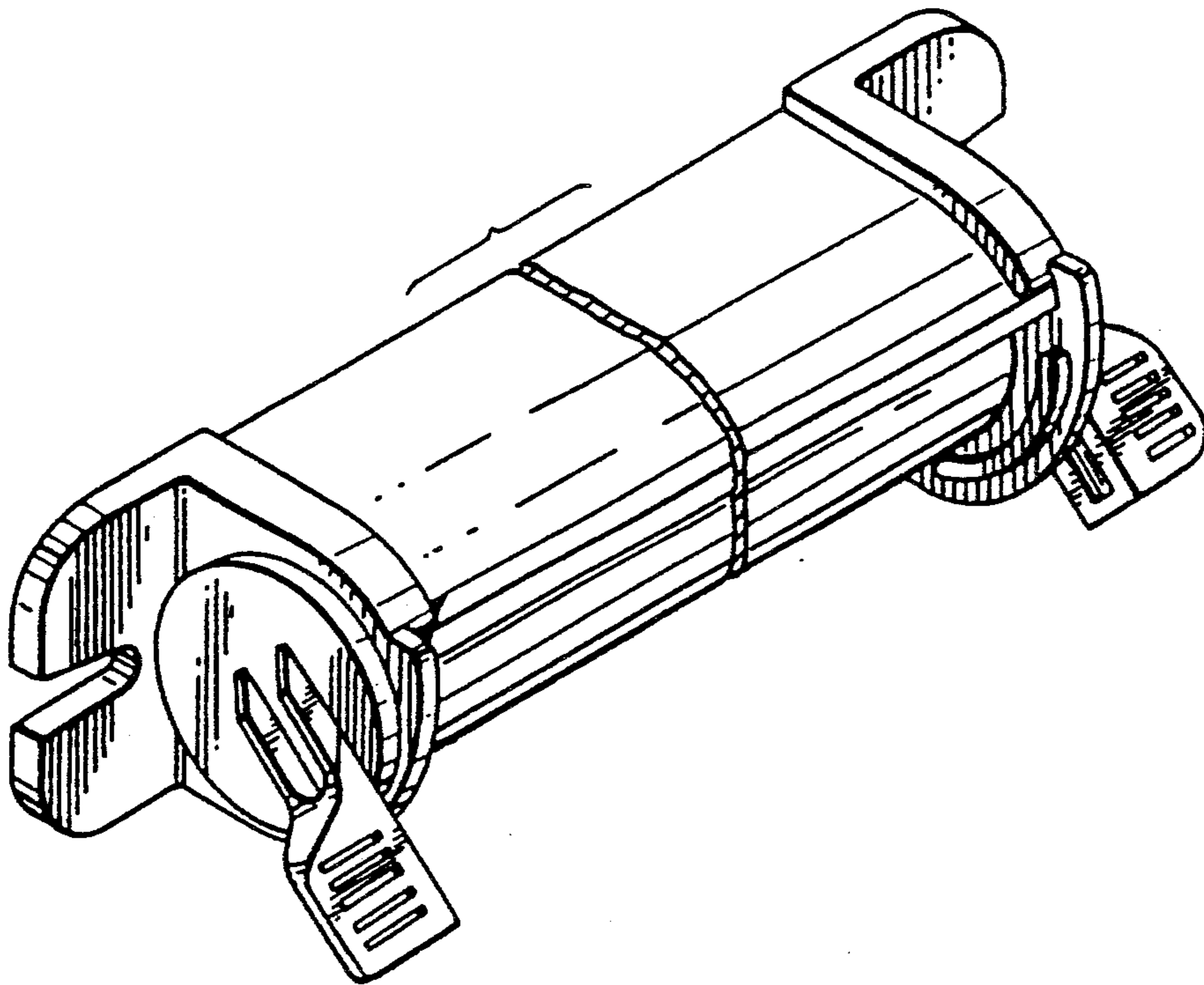


FIG. 1

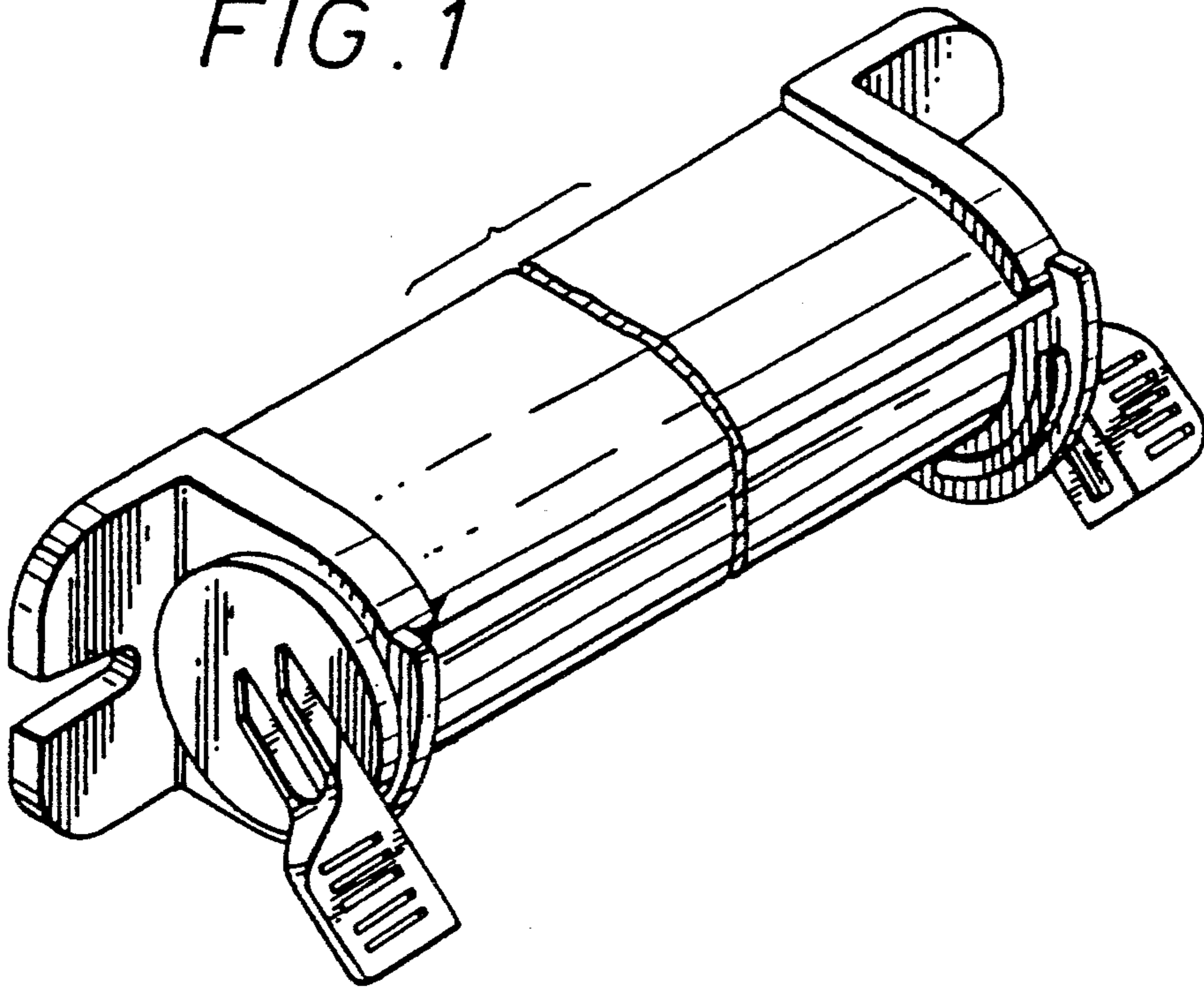


FIG. 2

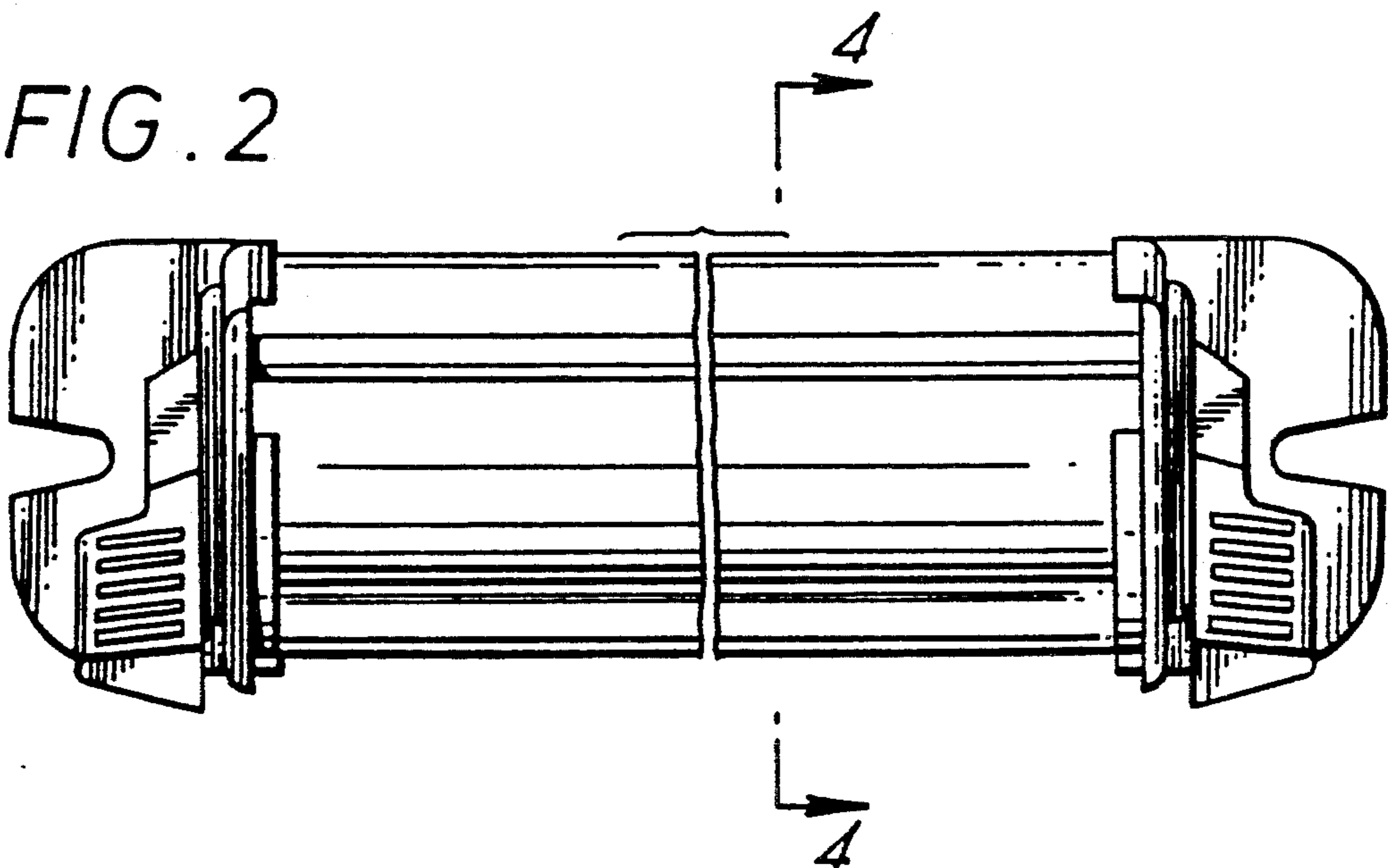


FIG. 3

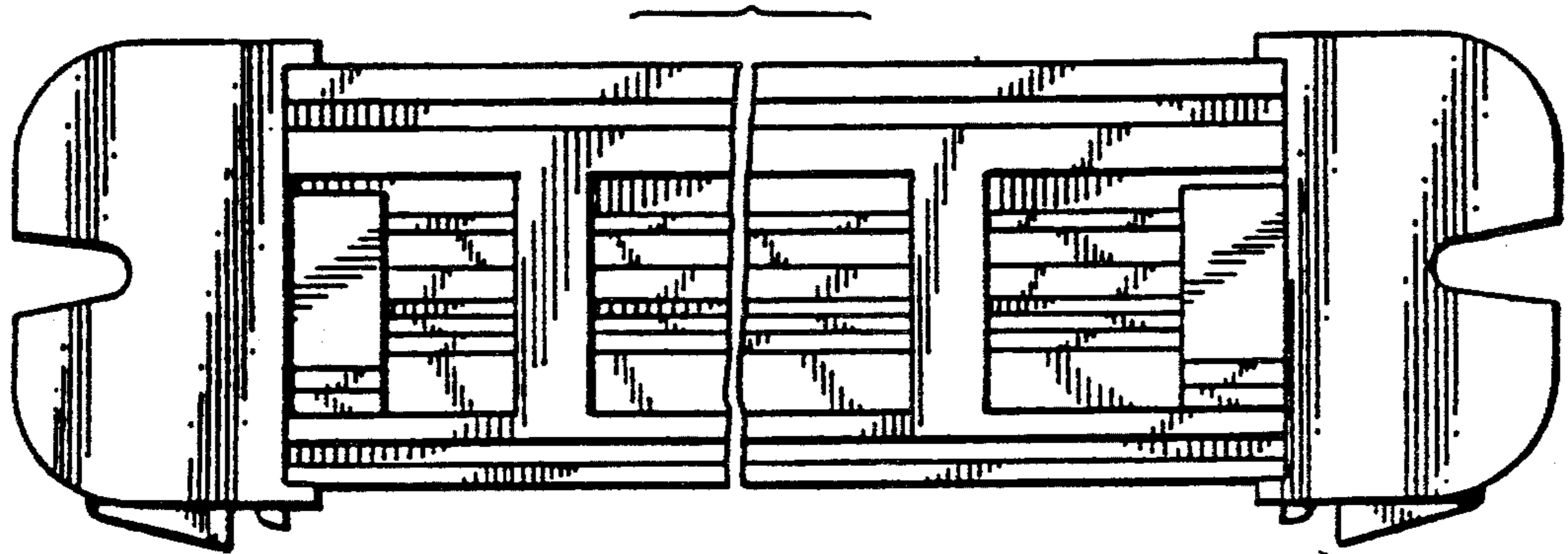


FIG. 4

