

[54] DENTAL MODEL TRIMMER BASIN OR THE LIKE

[76] Inventor: J. Michael Dierkes, 672 Corbin Lake Ct., Atlanta, Ga. 30350

[**] Term: 14 Years

[21] Appl. No.: 299,738

[22] Filed: Jan. 23, 1989

[52] U.S. Cl. D23/294

[58] Field of Search D23/270-274, D23/284-294; 4/619, 625, 630-659; D24/121, 122, 123

[56] References Cited

U.S. PATENT DOCUMENTS

- D. 194,258 12/1962 Tiller D23/294
- D. 244,030 4/1977 Tongish D23/284
- D. 244,291 5/1977 Baker D23/294

- D. 246,315 11/1977 Tongish D23/271
- D. 255,924 7/1980 Rosenkranz D23/292 X

Primary Examiner—James R. Largen
Attorney, Agent, or Firm—Kennedy & Kennedy

[57] CLAIM

The ornamental design for a dental model trimmer basin or the like, as shown and described.

DESCRIPTION

FIG. 1 is a perspective view taken from the top, front and right side of a dental model trimmer basin or the like showing my new design.

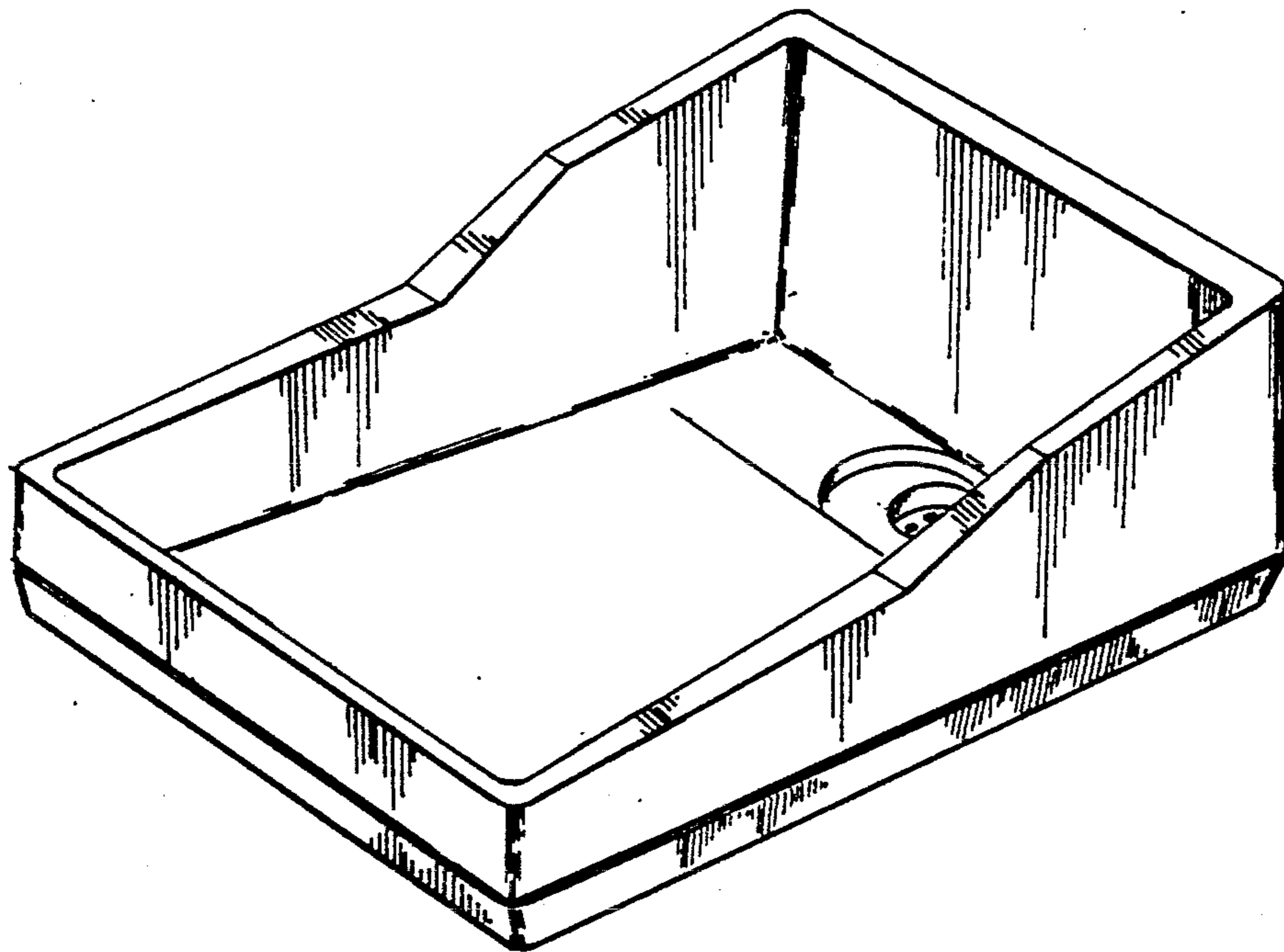
FIG. 2 is a front elevational view thereof.

FIG. 3 is a rear elevational view thereof.

FIG. 4 is a right side elevational view thereof, the left side being a mirror image of the right side.

FIG. 5 is a top plan view thereof.

FIG. 6 is a bottom plan view thereof.



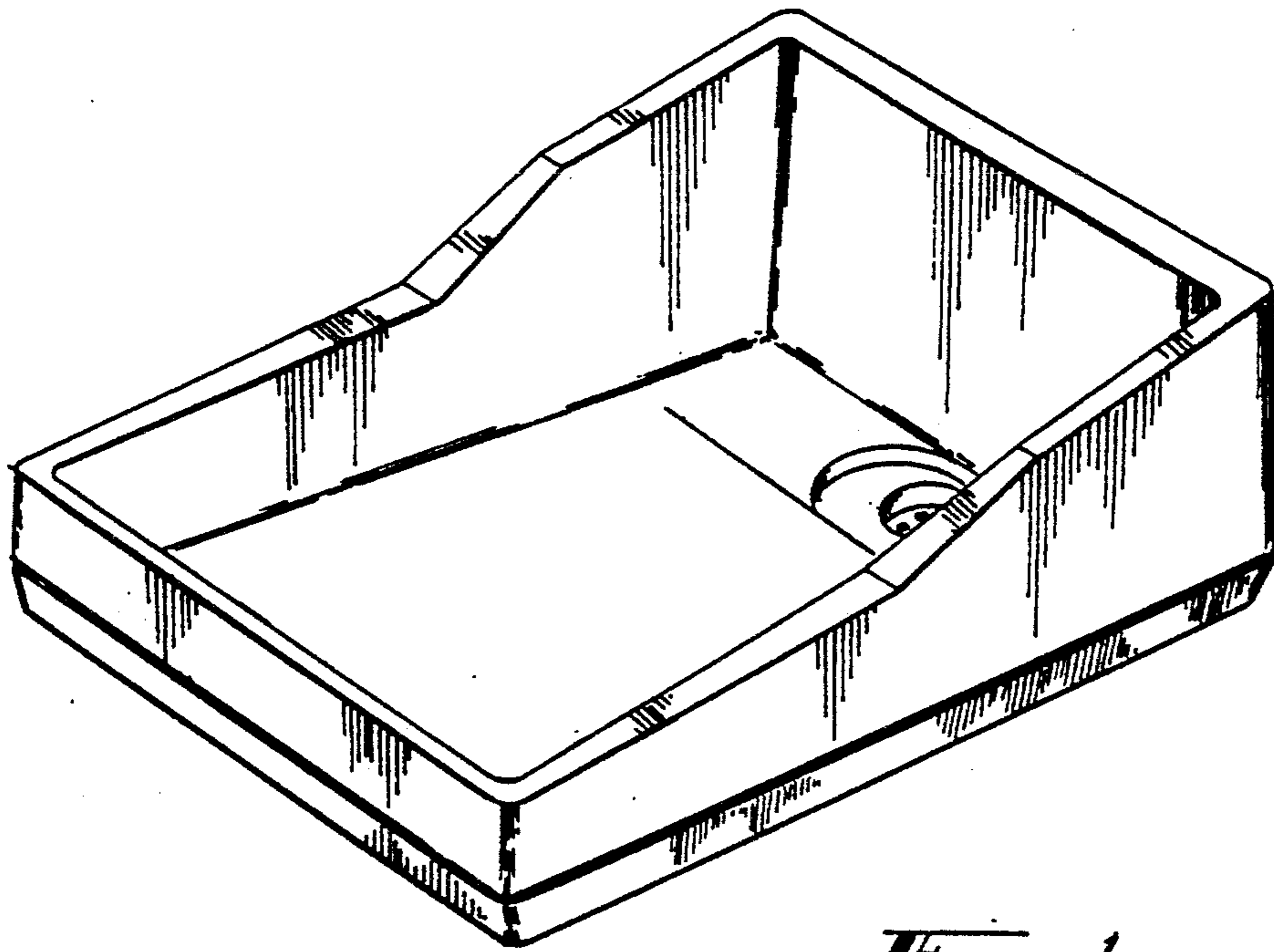


Fig 1

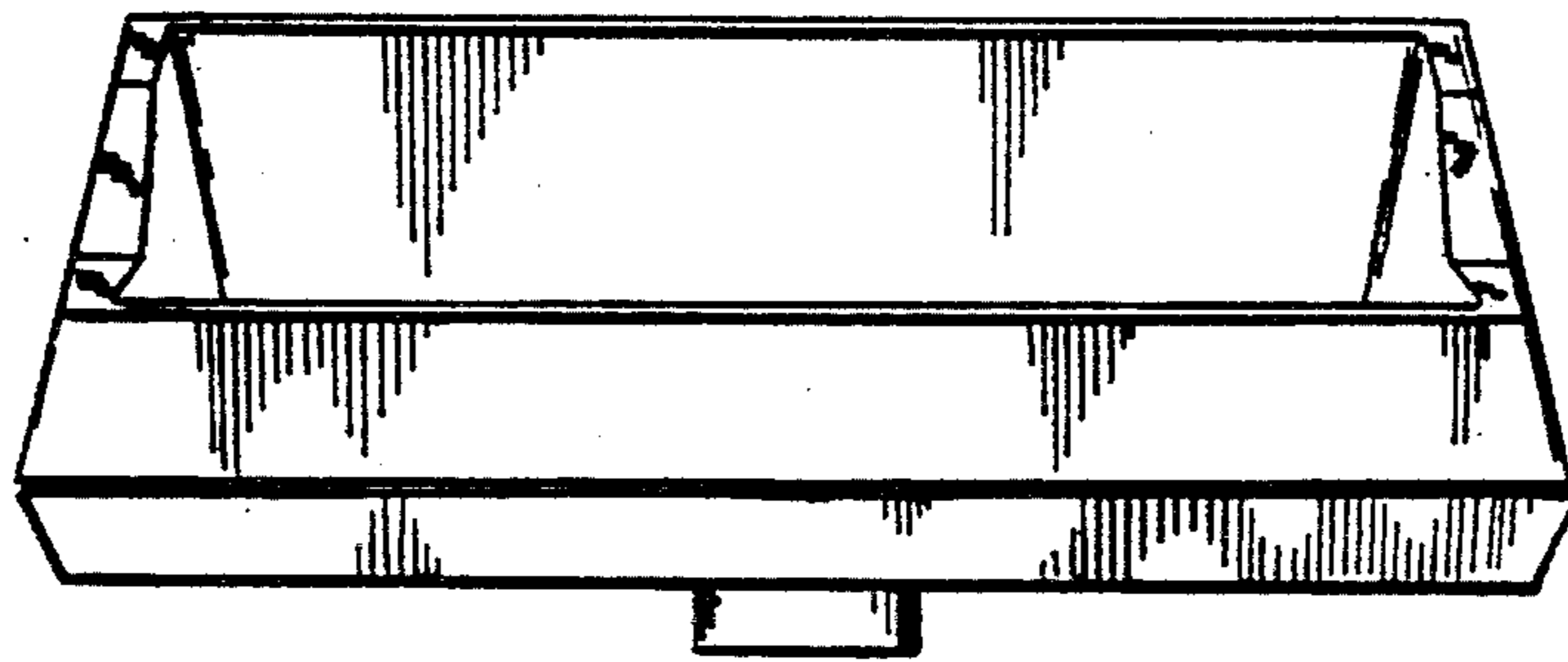


Fig 2

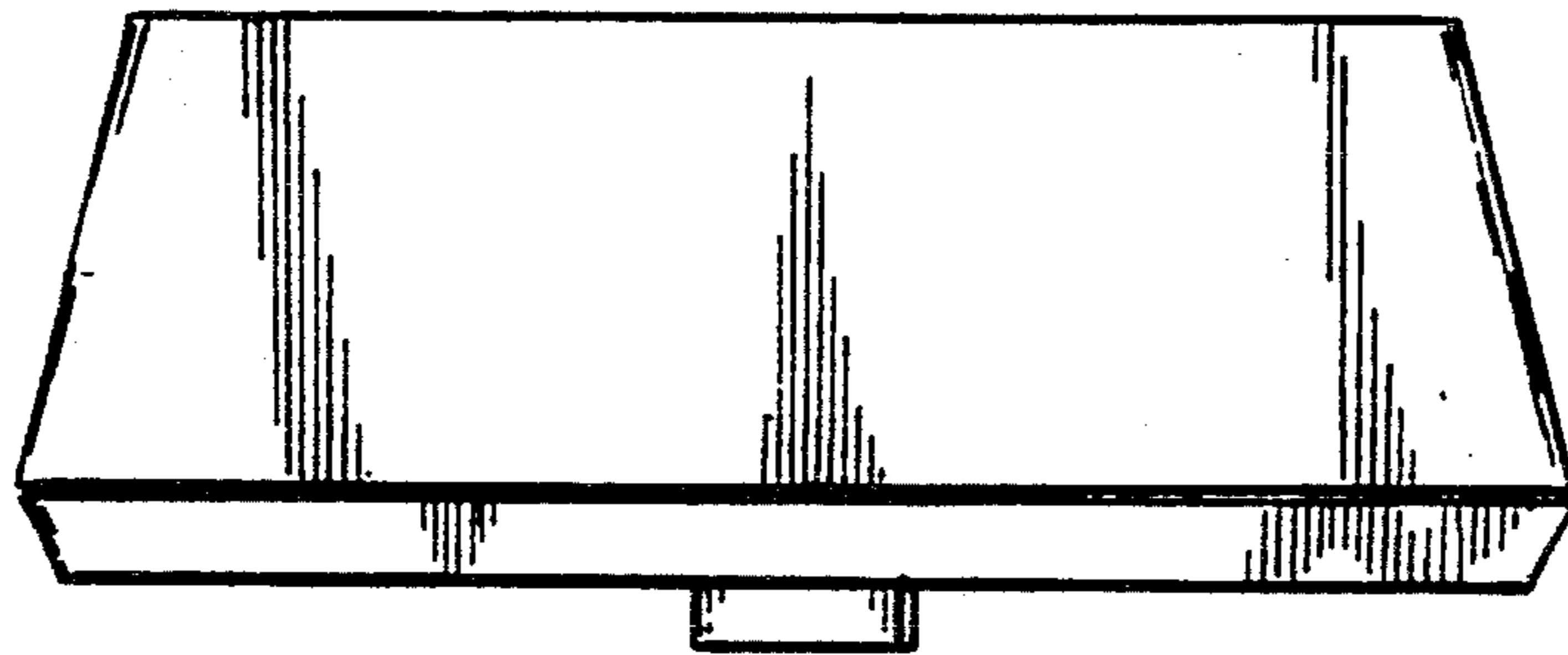


Fig 3

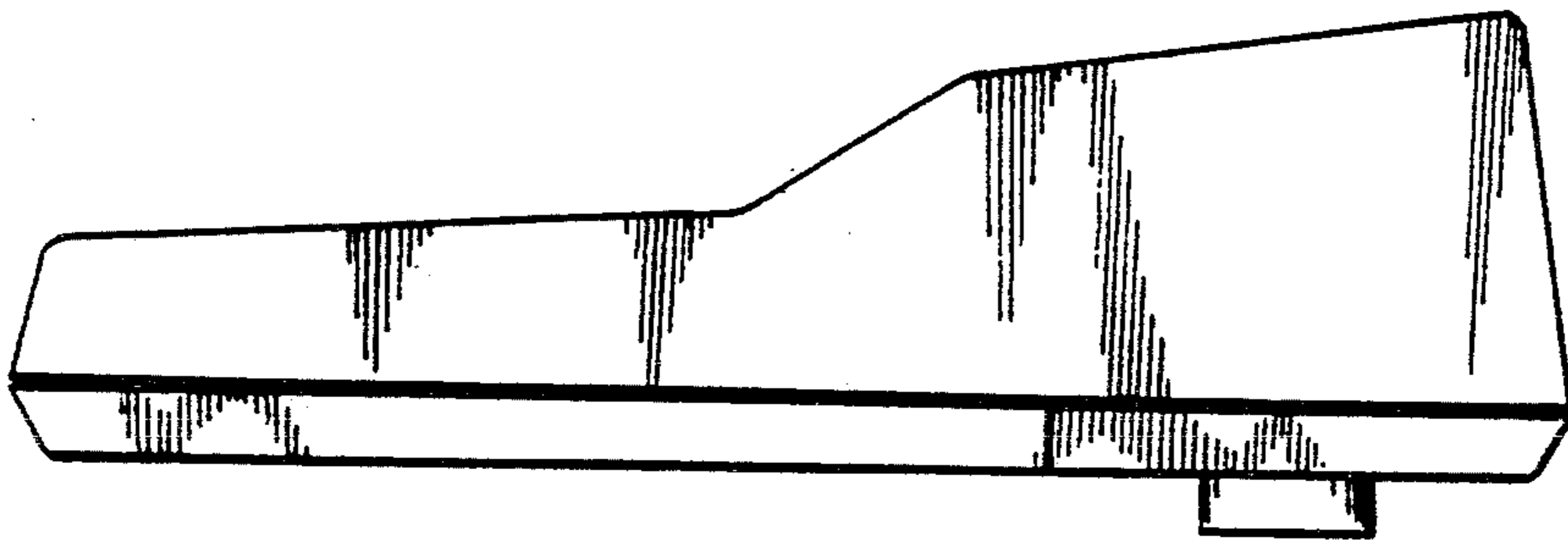


Fig 4

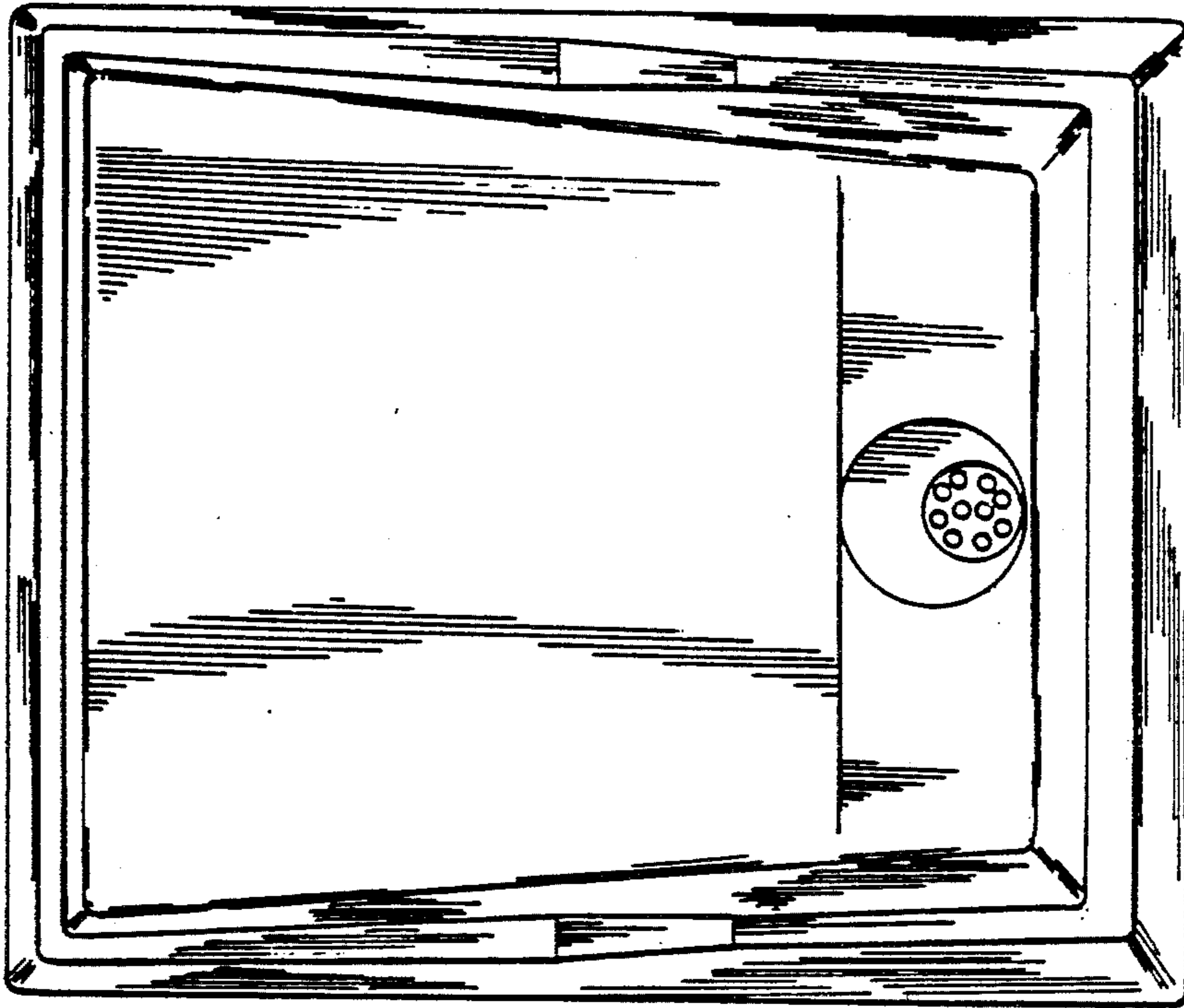


Fig 5

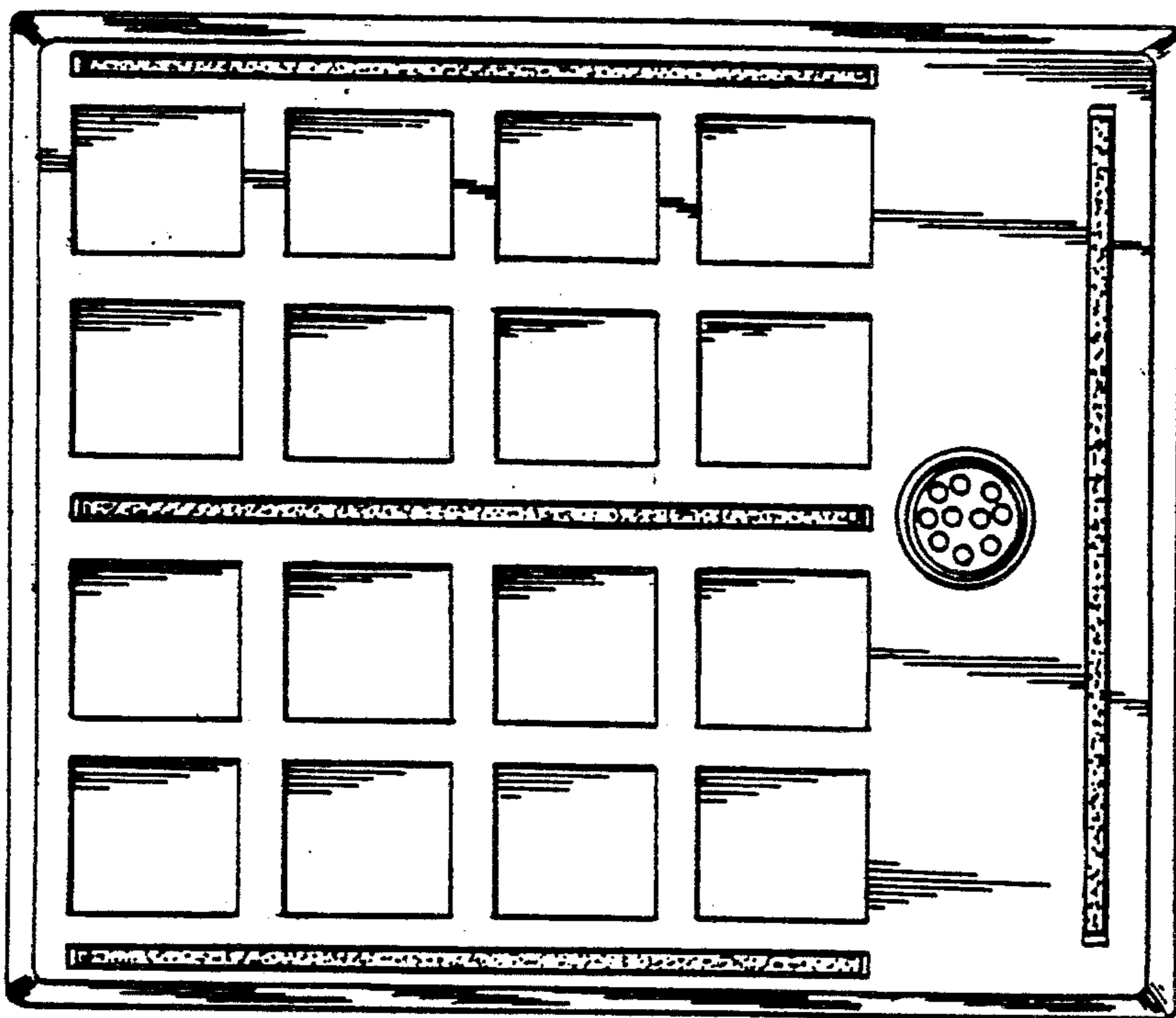


Fig 6