

[54] COMBINATION BALL VALVE AND CHECK VALVE

[75] Inventor: Joseph V. Milo, Rockaway, N.J.

[73] Assignee: Universal Valve Company, Inc., Elizabeth, N.J.

[**] Term: 14 Years

[21] Appl. No.: 318,191

[22] Filed: Feb. 28, 1989

[52] U.S. Cl. D23/245

[58] Field of Search 137/614.2; 251/288, 251/309; D23/233-237, 244-248

[56] References Cited

U.S. PATENT DOCUMENTS

| | | | | |
|------------|---------|-----------|-------|---------|
| D. 297,354 | 8/1988 | Wirth | | D23/245 |
| 596,871 | 1/1898 | Grist | | 251/288 |
| 904,299 | 11/1908 | Best | | 251/309 |
| 2,182,930 | 12/1939 | Nordstrom | | 251/288 |
| 2,547,116 | 4/1951 | Gould | | 251/309 |
| 2,615,672 | 10/1952 | Hinrichs | | 251/309 |
| 2,708,096 | 5/1955 | Mueller | | 251/309 |
| 3,093,358 | 6/1963 | Klakeman | | 251/309 |

| | | | | |
|-----------|---------|----------------------|-------|-----------|
| 3,132,837 | 5/1964 | Britton | | 251/309 |
| 3,491,796 | 1/1970 | Scaramucci | | 137/614.2 |
| 3,865,130 | 2/1975 | Mullis | | 251/288 |
| 3,954,251 | 5/1976 | Callahan, Jr. et al. | | 251/288 |
| 4,126,023 | 11/1978 | Smith et al. | | 251/288 X |
| 4,193,579 | 3/1980 | Massey | | 251/288 |
| 4,649,952 | 3/1987 | Jobe | | 137/614.2 |
| 4,770,388 | 9/1988 | Carman | | 251/288 X |

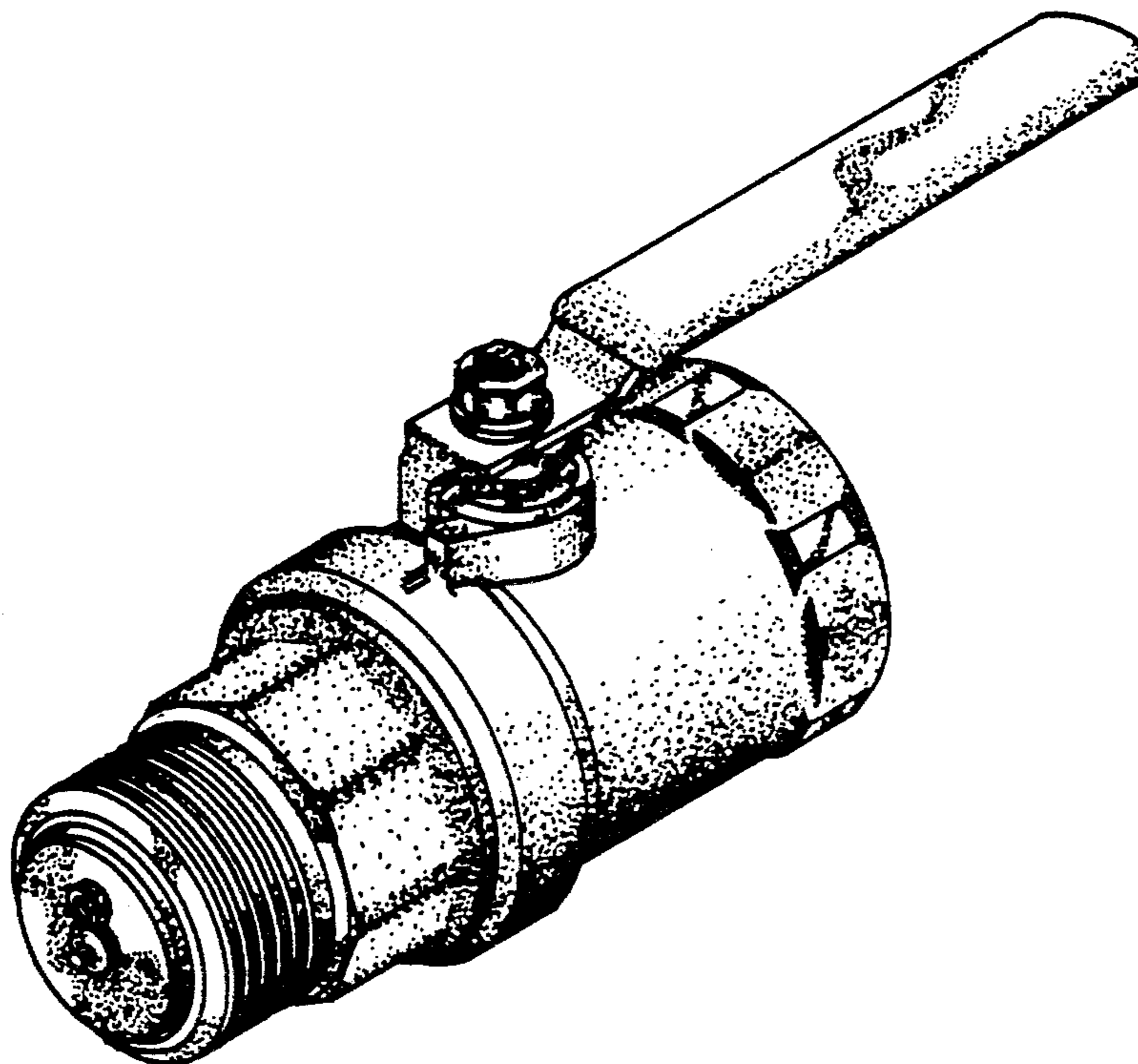
Primary Examiner—James R. Largen
Attorney, Agent, or Firm—Eckert Seamans Cherin & Mellott

[57] CLAIM

The ornamental design for a combination ball valve and check valve, as shown and described.

DESCRIPTION

FIG. 1 is a perspective view of the combination ball valve and check valve showing my new design.
FIG. 2 is a top plan view thereof;
FIG. 3 is a bottom plan view thereof;
FIG. 4 is a left end elevational view thereof;
FIG. 5 is a right end elevational view thereof;
FIG. 6 is a rear elevational view thereof; and,
FIG. 7 is a front elevational view thereof.



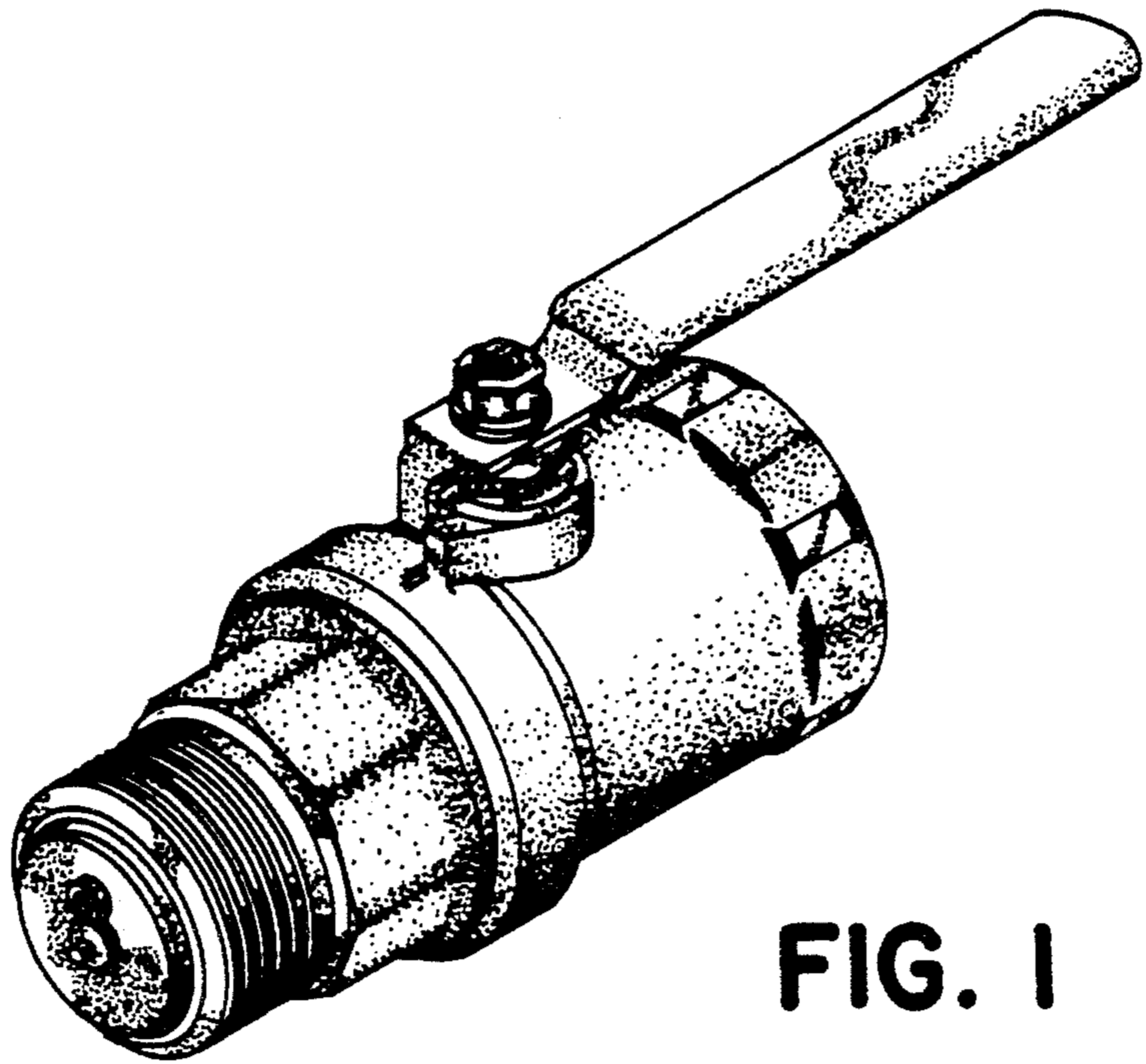


FIG. 1

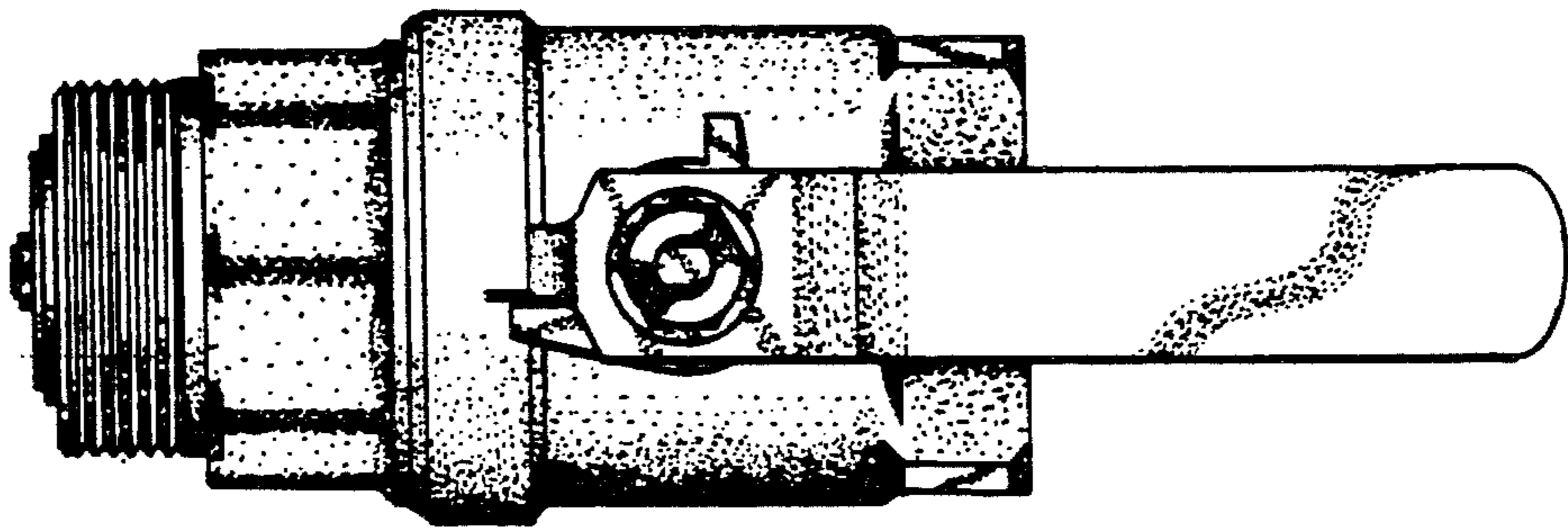


FIG. 2

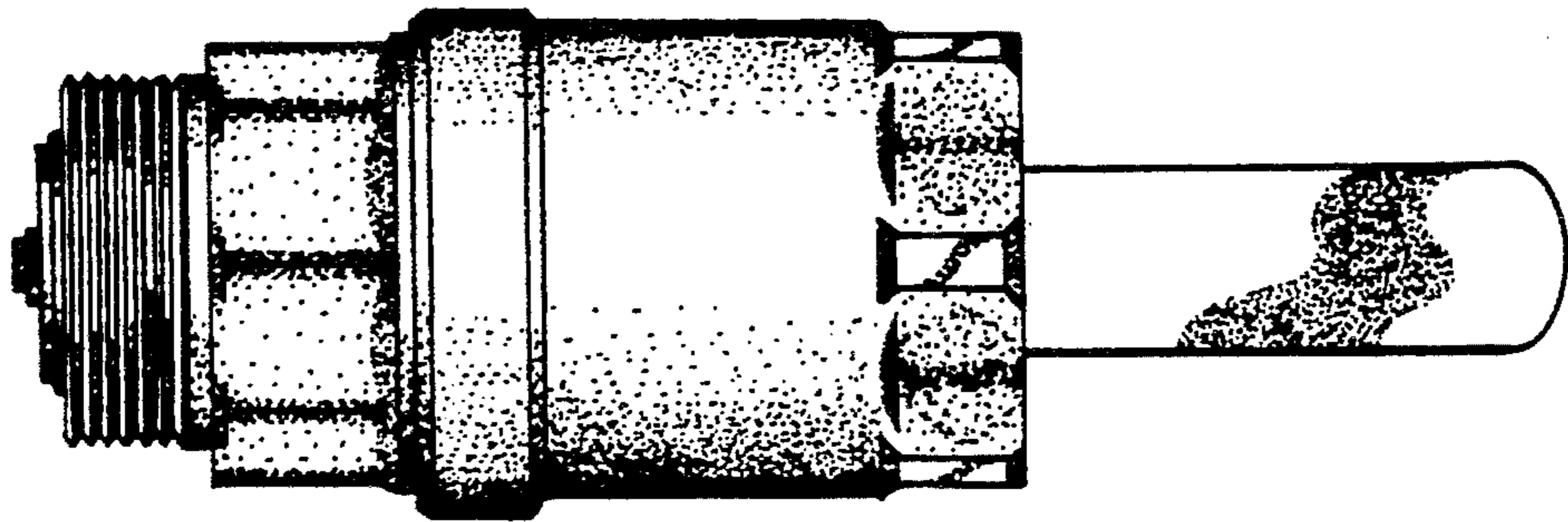


FIG. 3

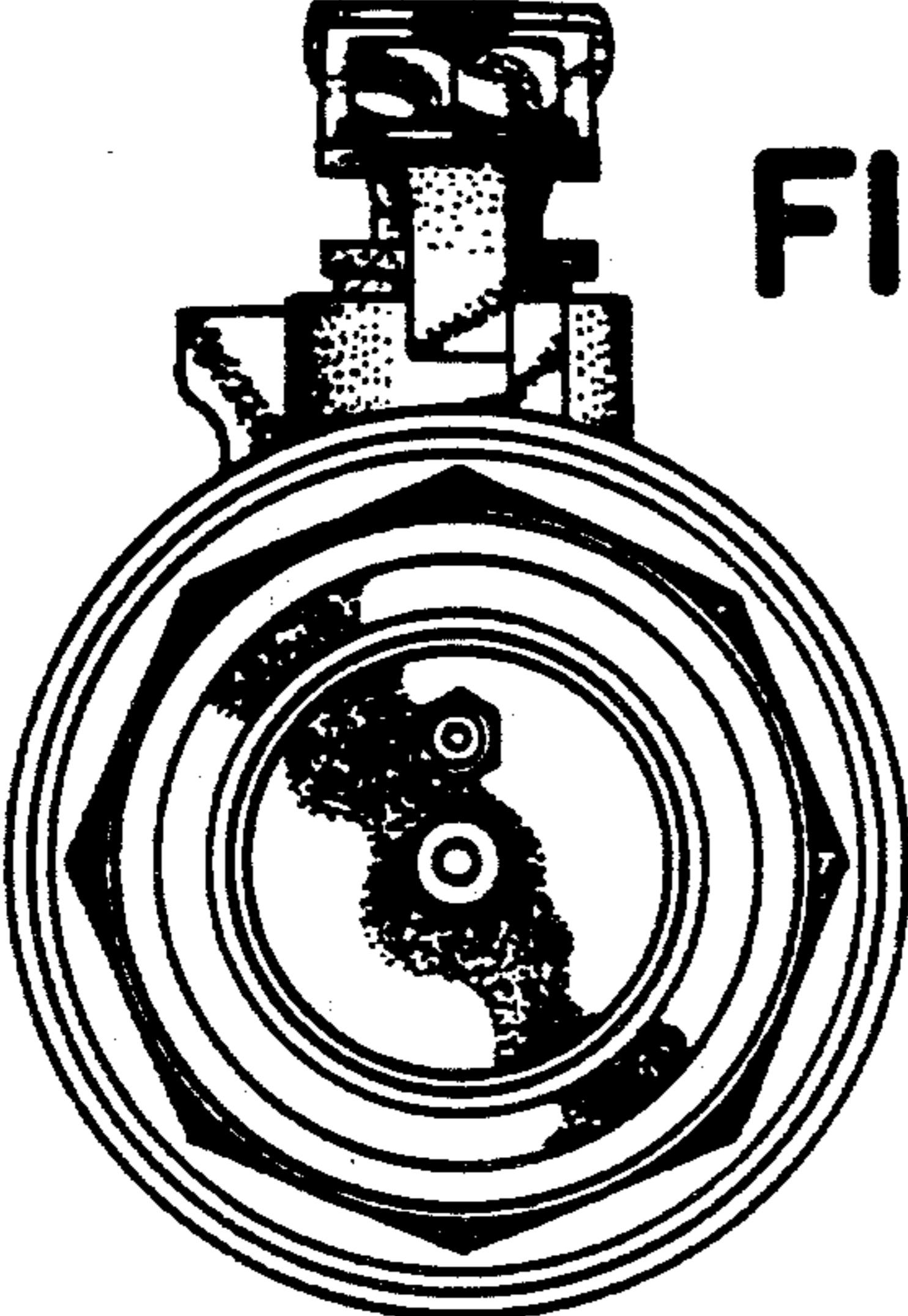


FIG. 4



FIG. 5

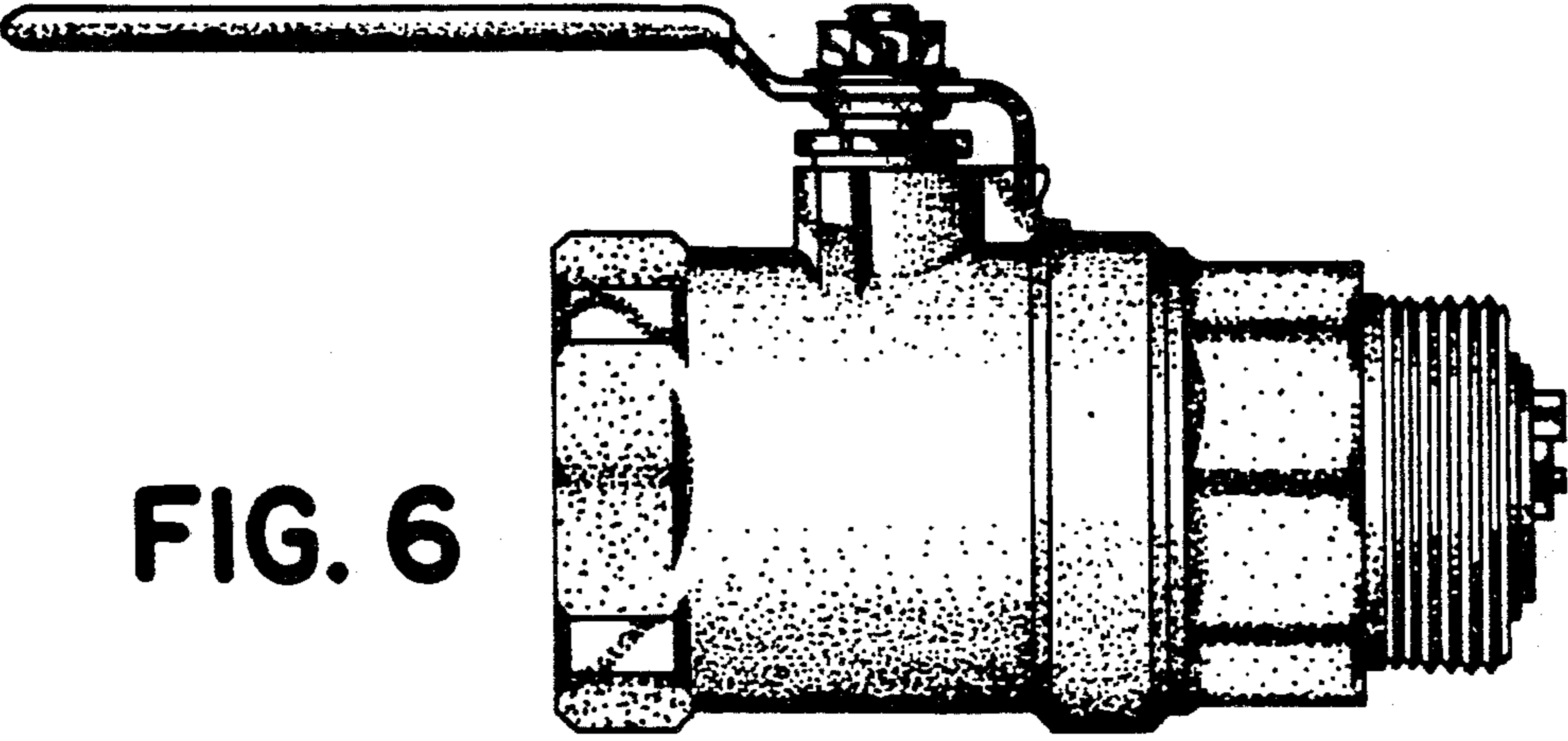


FIG. 6

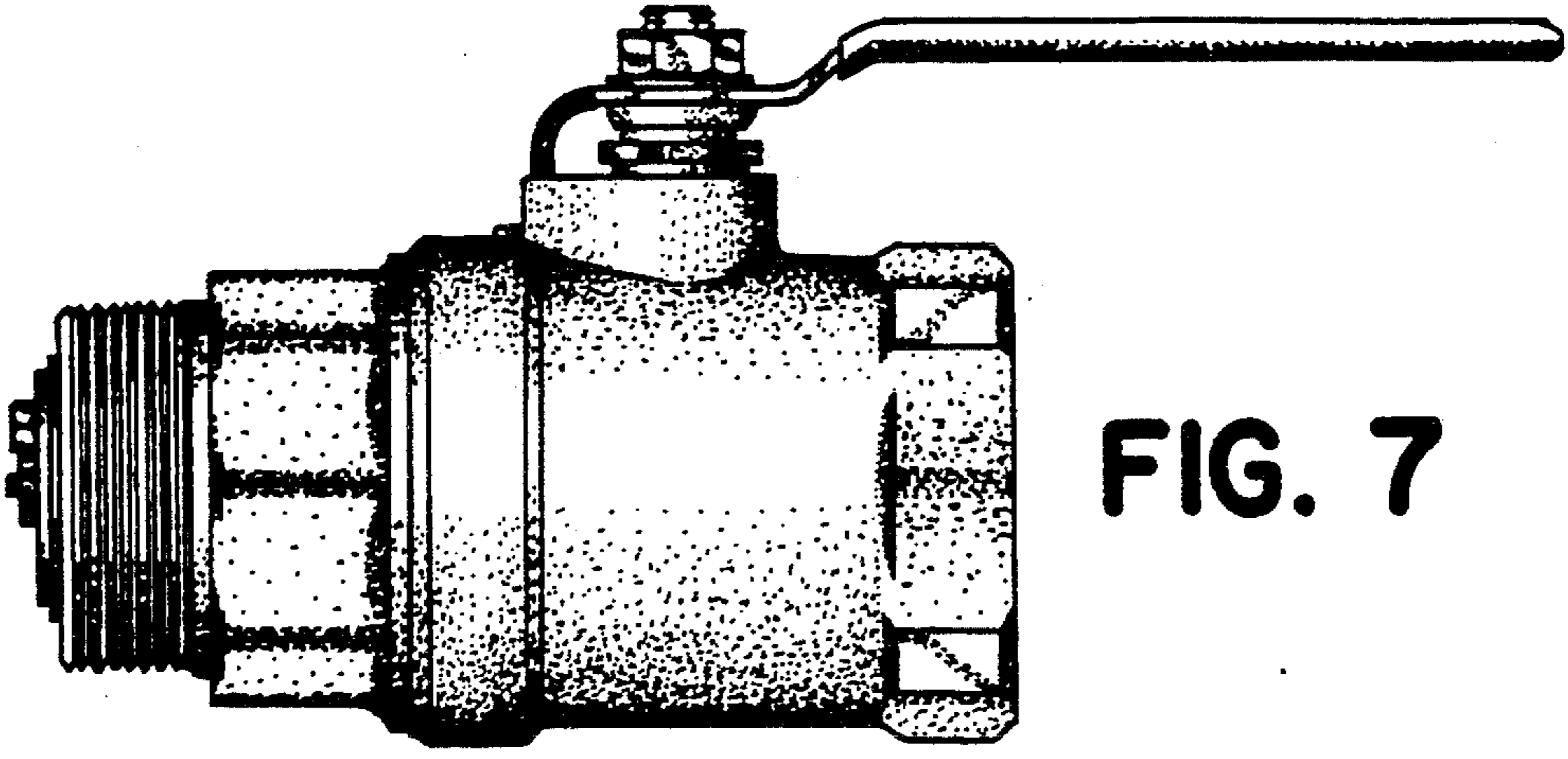


FIG. 7