

[54] ANTI-BACKLASH ATTACHMENT FOR FISHING REEL

[76] Inventors: Lyle I. Shiman; Naomi Shiman, both of 172 Rock River Dr., Vallejo, Calif. 94589

[**] Term: 14 Years

[21] Appl. No.: 340,153

[22] Filed: Apr. 17, 1989

[52] U.S. Cl. D22/140

[58] Field of Search D22/134, 137, 140; 242/285-287, 278, 294, 293

[56] References Cited

U.S. PATENT DOCUMENTS

699,763	5/1902	Mathews	242/293
1,996,130	4/1935	Urquhart	242/293
2,144,984	1/1939	Kyle	242/293

2,166,662	7/1939	Jacobson	242/285
2,189,952	2/1940	Guy	242/293
2,341,073	2/1944	Babcock	242/293
2,553,589	5/1951	Hull et al.	242/287 X
2,622,824	12/1952	Perinoni et al.	242/287

Primary Examiner—A. Hugo Word
Assistant Examiner—Doris V. Coles

[57] CLAIM

The ornamental design for an anti-backlash attachment for fishing reel, as shown.

DESCRIPTION

FIG. 1 is a top plan view of an anti-backlash attachment for fishing reel, showing my new design; FIG. 2 is a rear elevational view thereof; FIG. 3 is a right side elevational view thereof; FIG. 4 is a front elevational view thereof; FIG. 5 is a bottom plan view thereof; FIG. 6 is a left elevational view thereof; and FIG. 7 is a perspective view thereof.

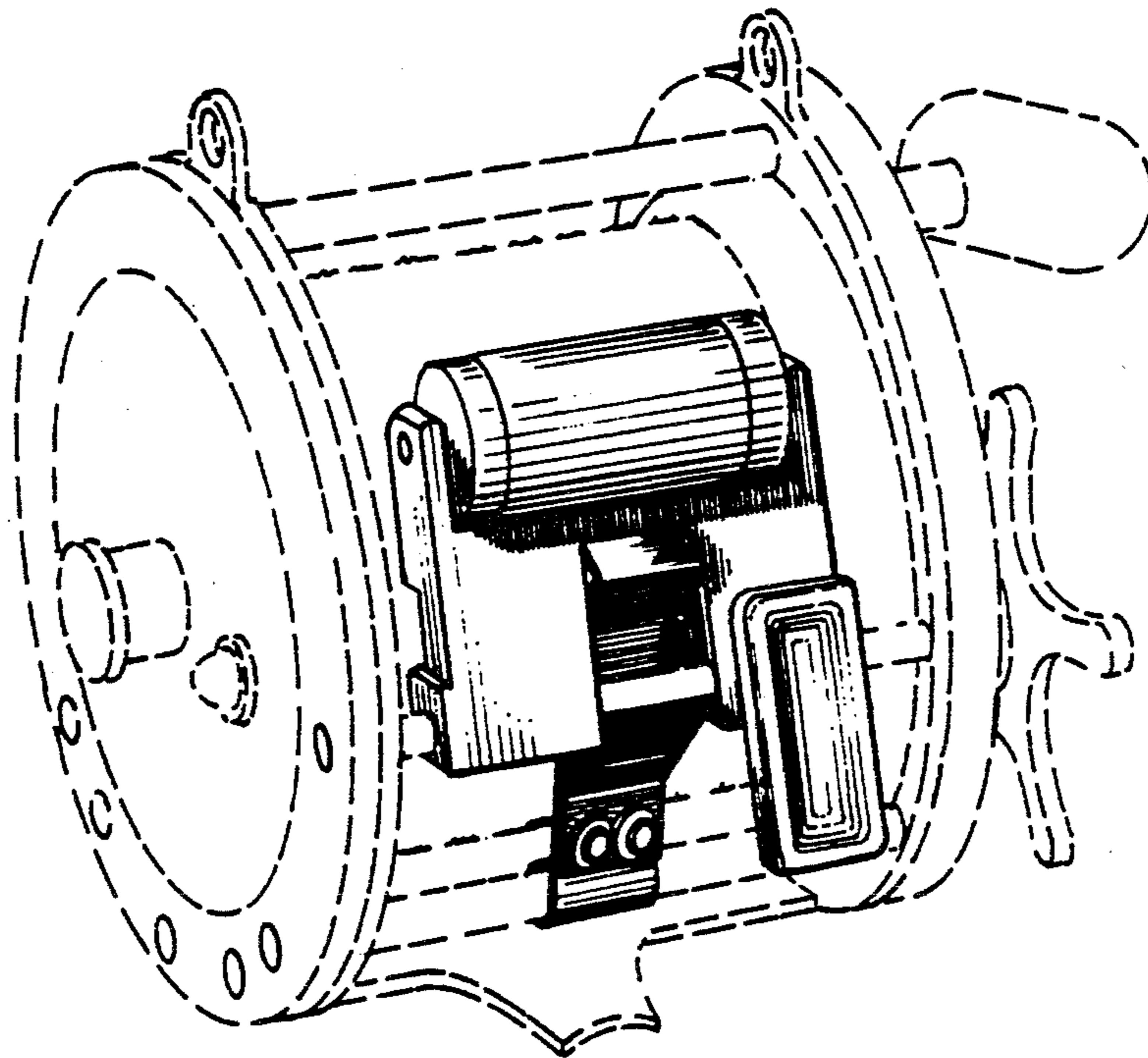


FIG. 1

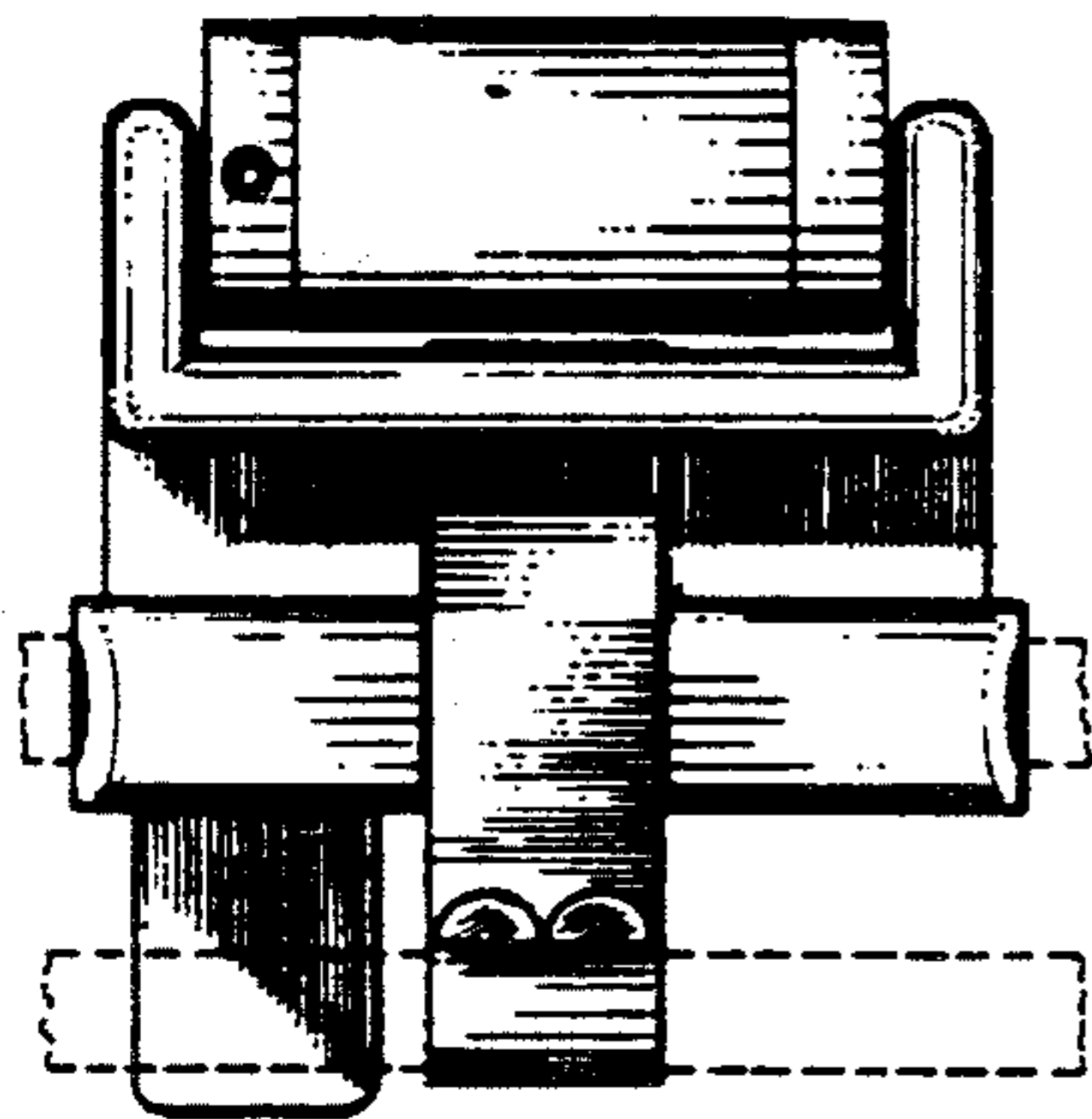
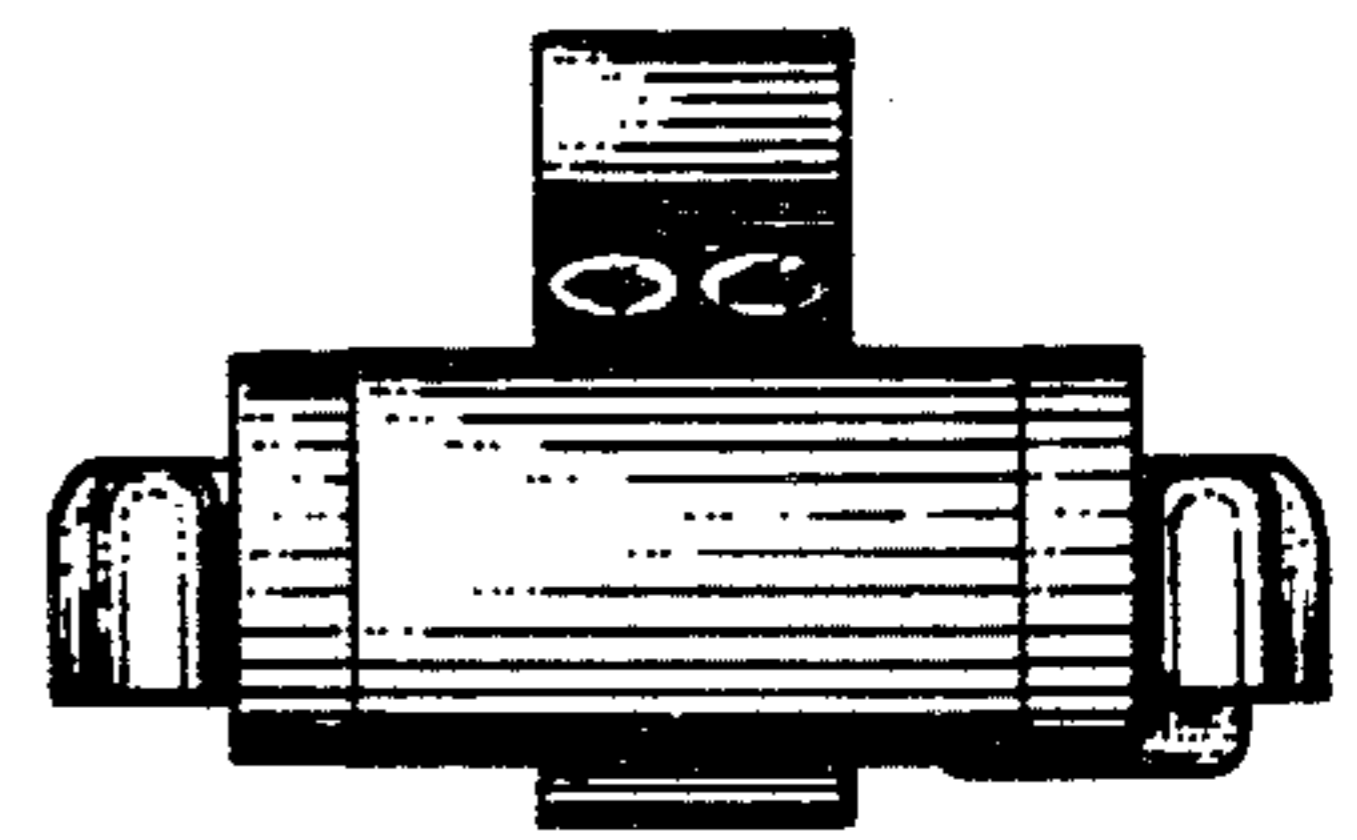


FIG. 2

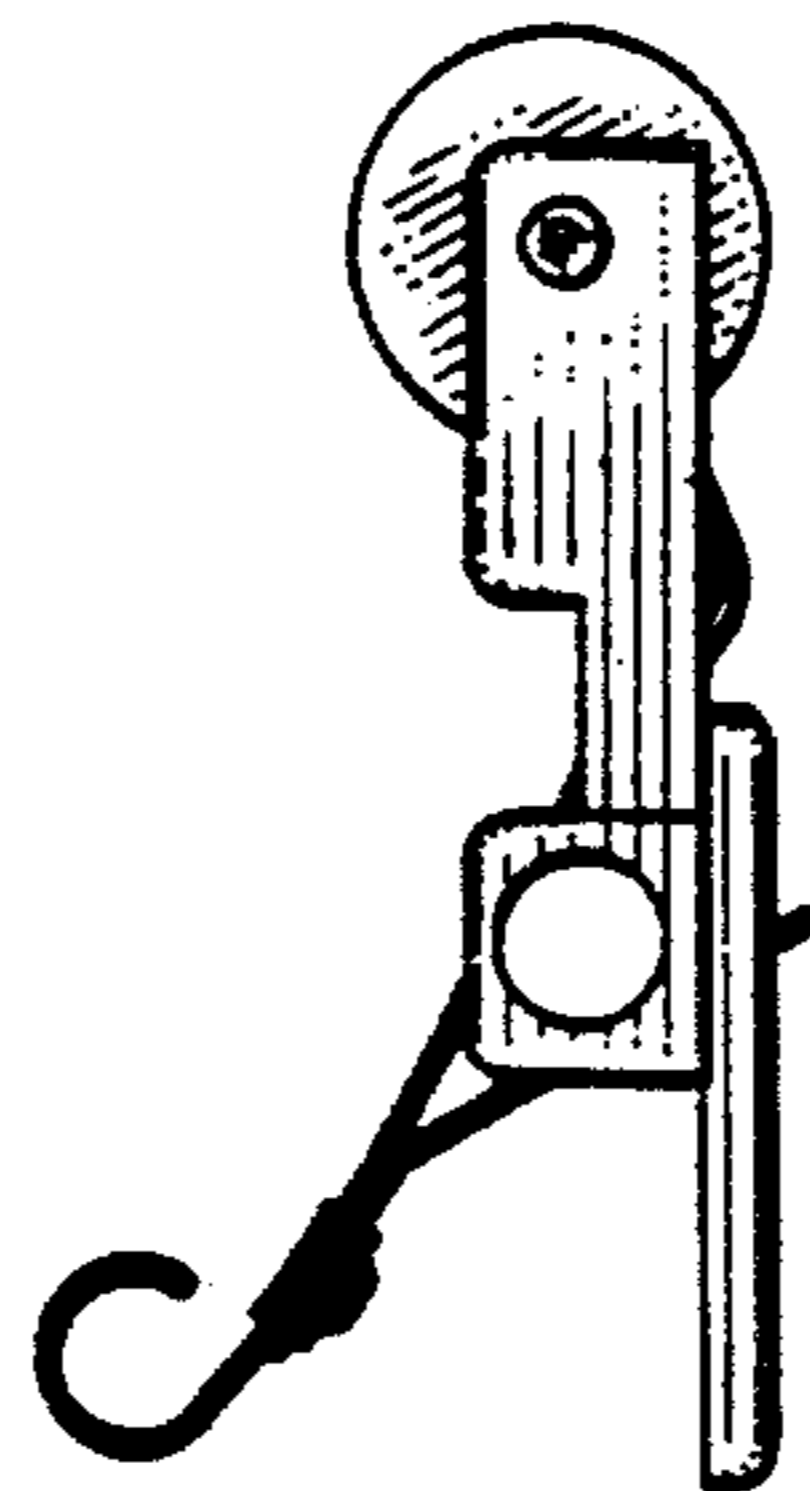


FIG. 3

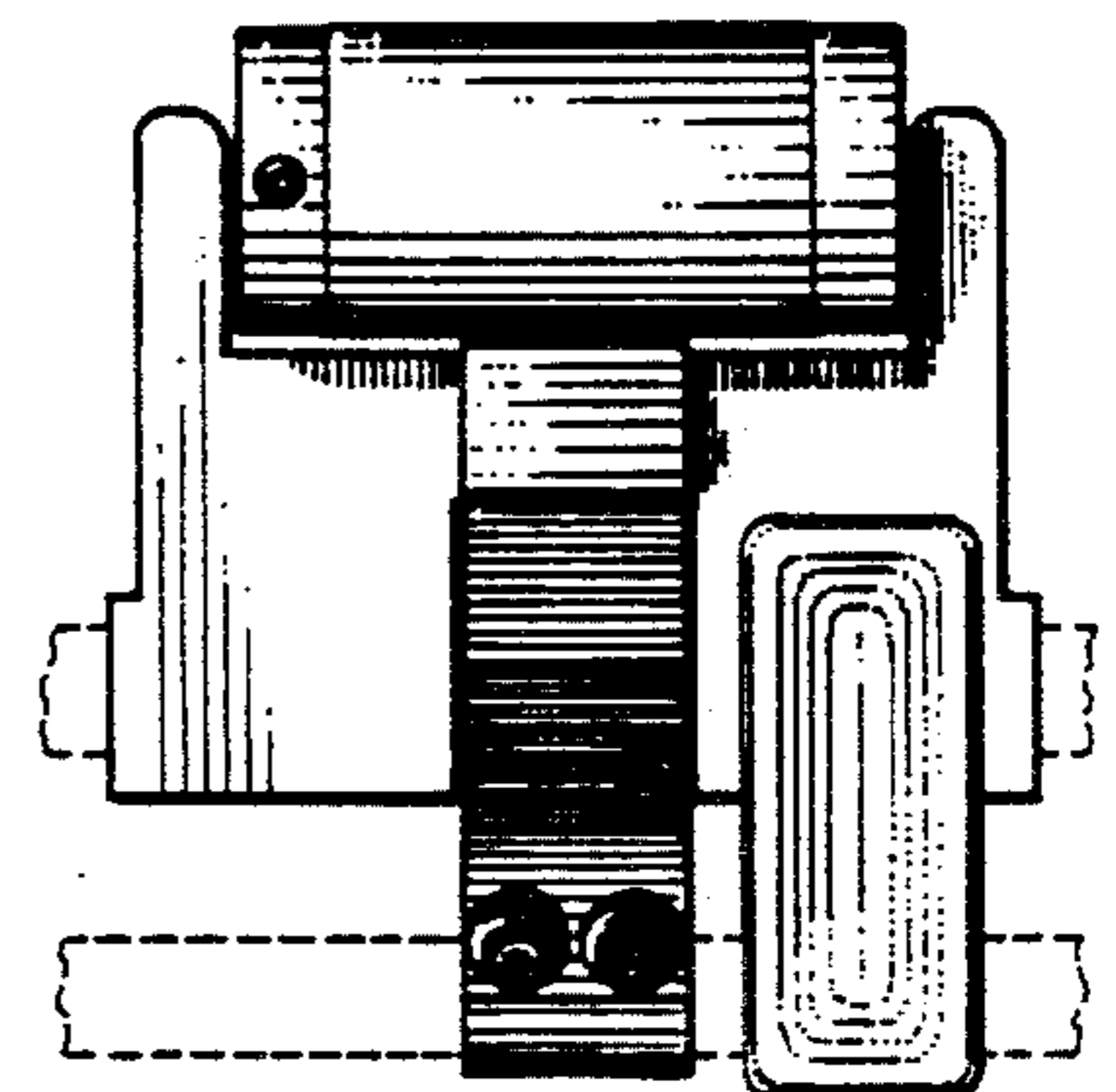


FIG. 4

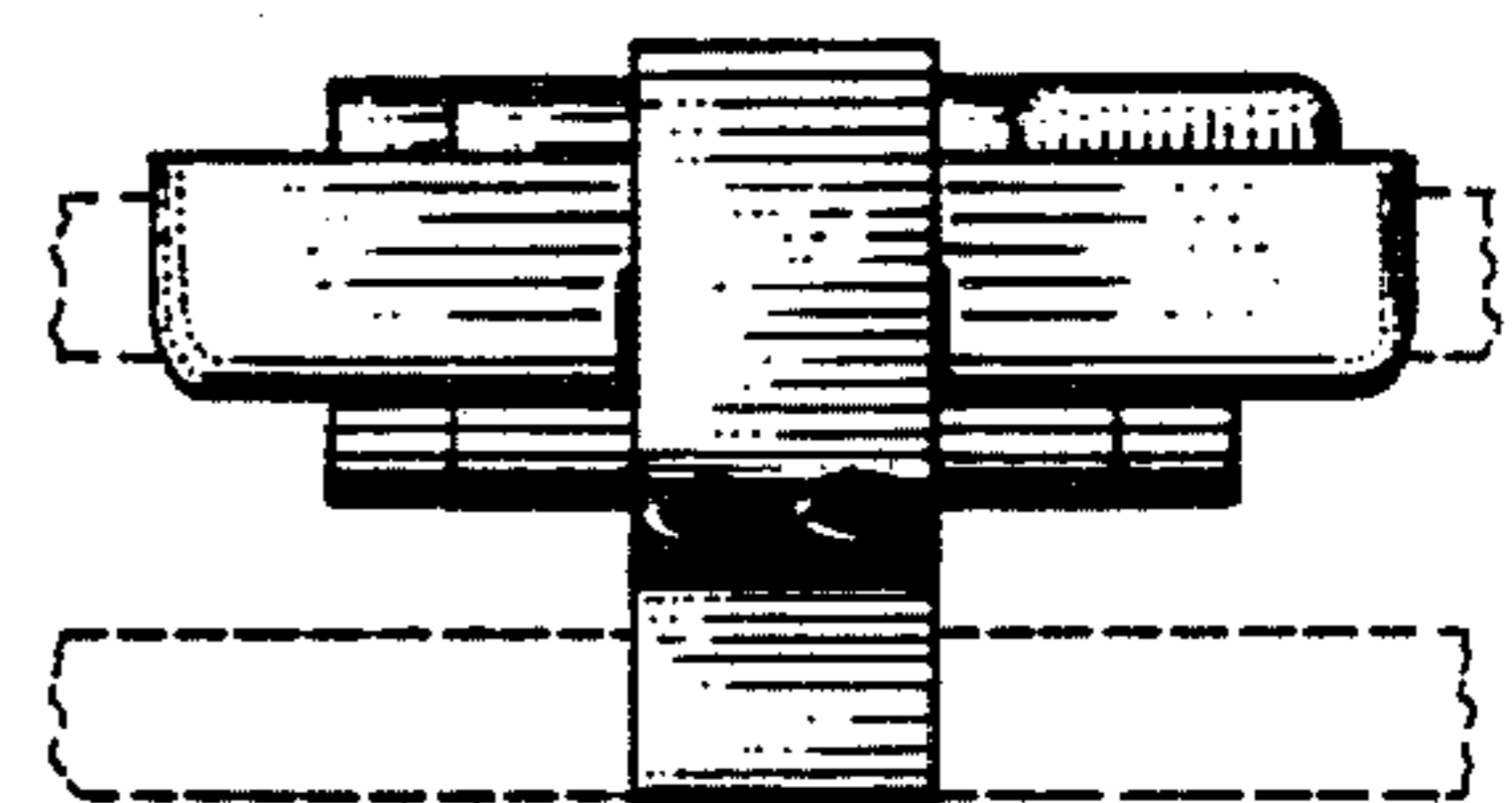


FIG. 5

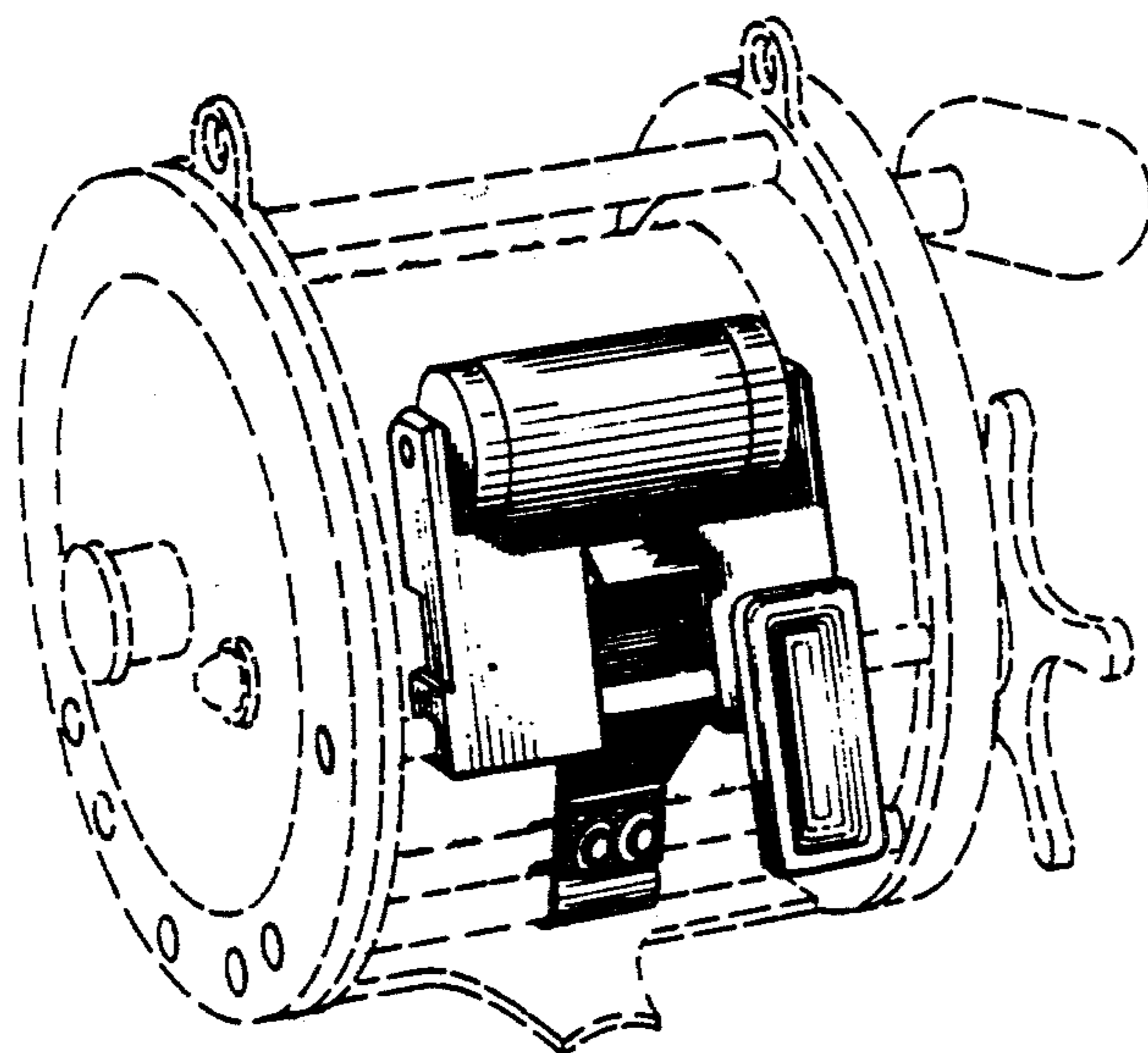


FIG. 7

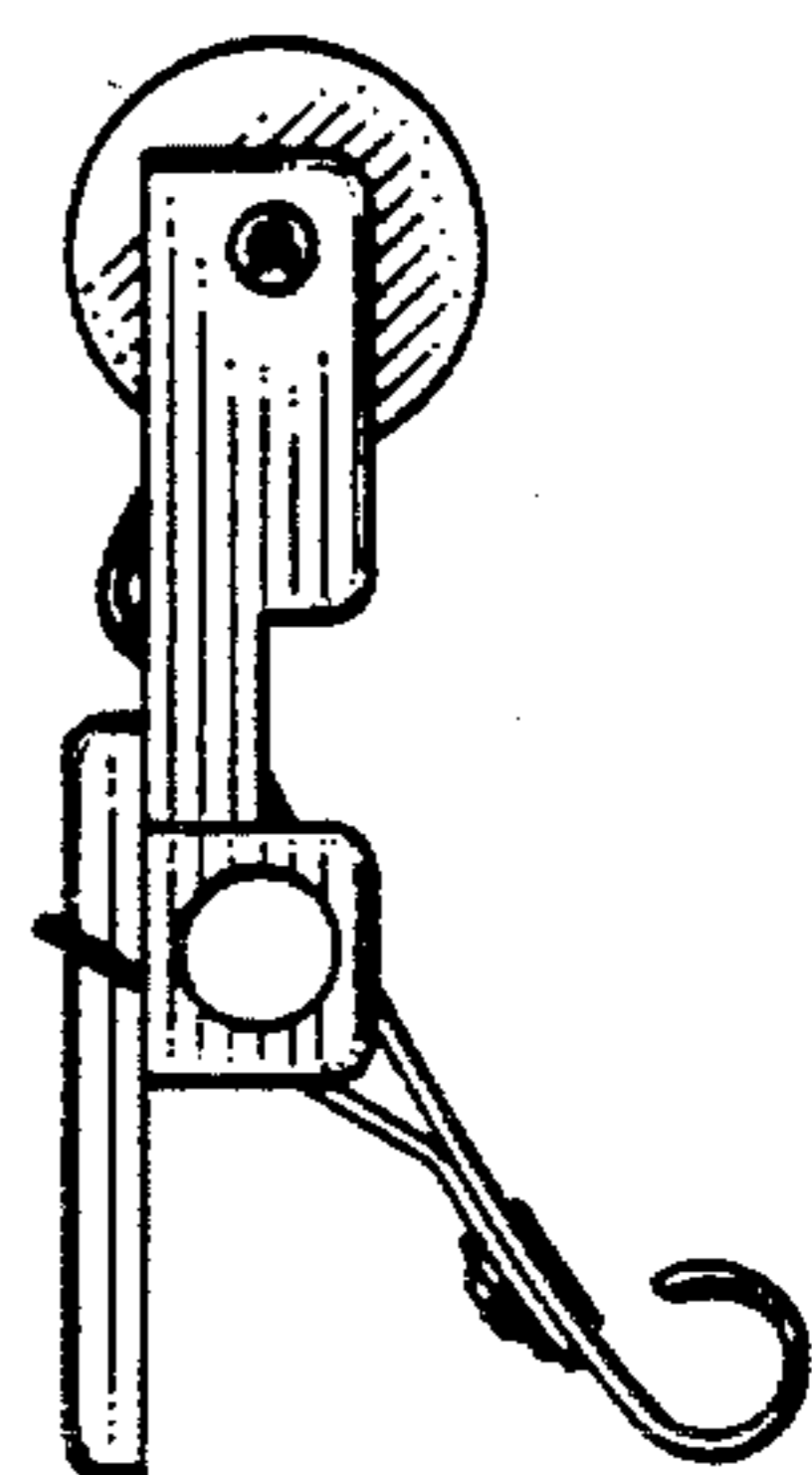


FIG. 6