

[54] **PORTABLE SUN PROTECTOR**

[76] Inventor: Yong S. Bonner, 621 Manchester Ter.
#3, Inglewood, Calif. 90301

[**] Term: 14 Years

[21] Appl. No.: 195,527

[22] Filed: May 18, 1988

[52] U.S. Cl. D21/253; D25/56

[58] Field of Search D25/18, 56; D21/253;
135/87, 88, 102, 106, 109, 114, 118, DIG. 8;
52/86

3,386,456 6/1968 Walker 135/102
4,096,874 6/1978 Weatherly D25/56 X
4,098,281 7/1978 Bonfilio D25/56 X
4,676,032 6/1987 Jutras 52/86 X

Primary Examiner—A. Hugo Word
Assistant Examiner—Doris V. Coles
Attorney, Agent, or Firm—Leon Gilden

[57] **CLAIM**

The ornamental design for a portable sun protector, as shown and described.

DESCRIPTION

FIG. 1 is a front elevational view of a portable sun protector showing my new design;
FIG. 2 is a rear elevational view thereof;
FIG. 3 is a left side elevational view thereof;
FIG. 4 is a right side elevational view thereof;
FIG. 5 is a top plan view thereof; and,
FIG. 6 is a bottom plan view thereof.

[56] **References Cited**

U.S. PATENT DOCUMENTS

684,086 10/1901 McCall 135/118 X
1,946,137 2/1934 Frost 135/102 X
2,266,853 12/1941 Dabney D25/56 X
2,832,361 4/1958 Smith 135/118 X
3,008,557 11/1961 Clevett, Jr. 135/118 X

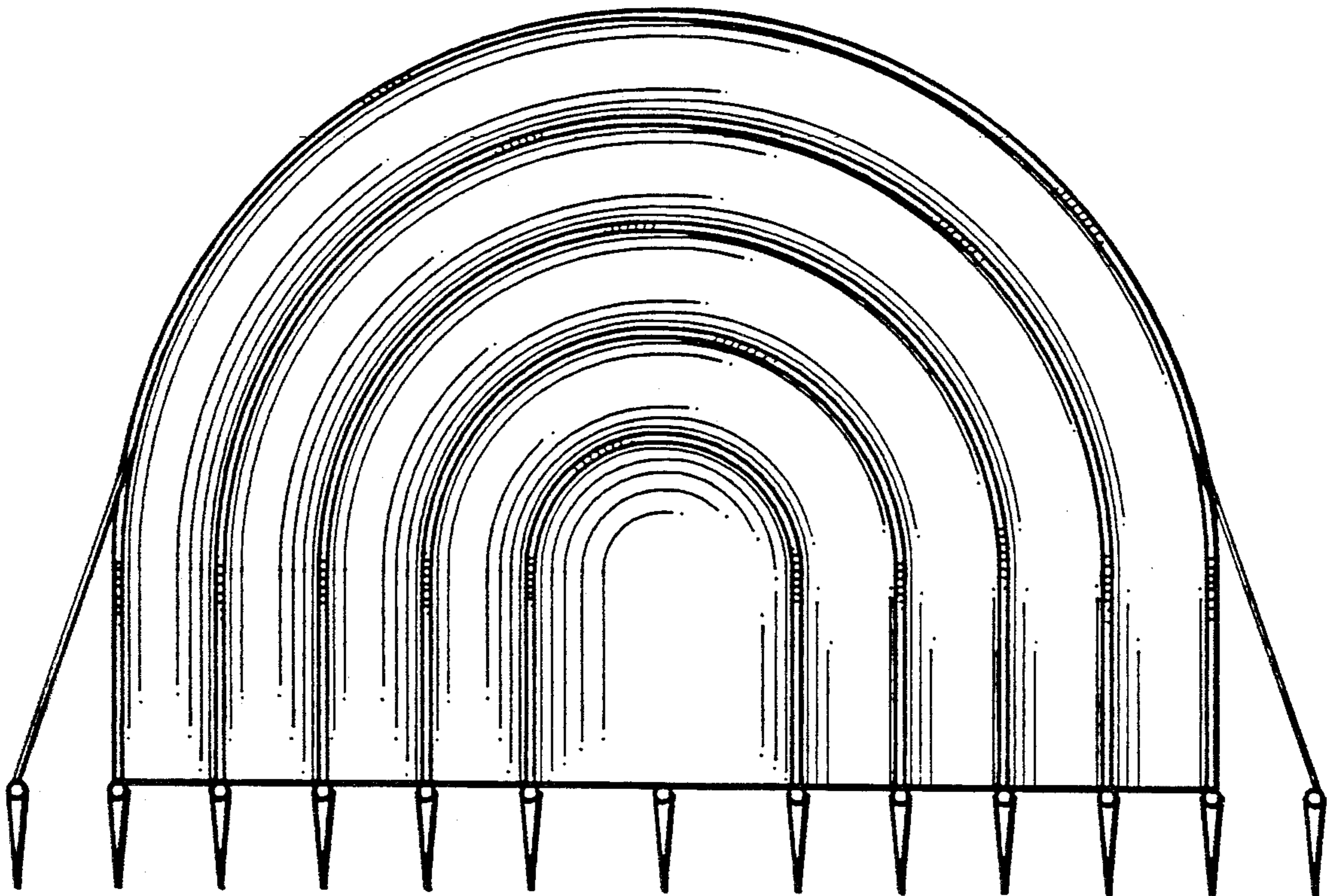


Fig. 1

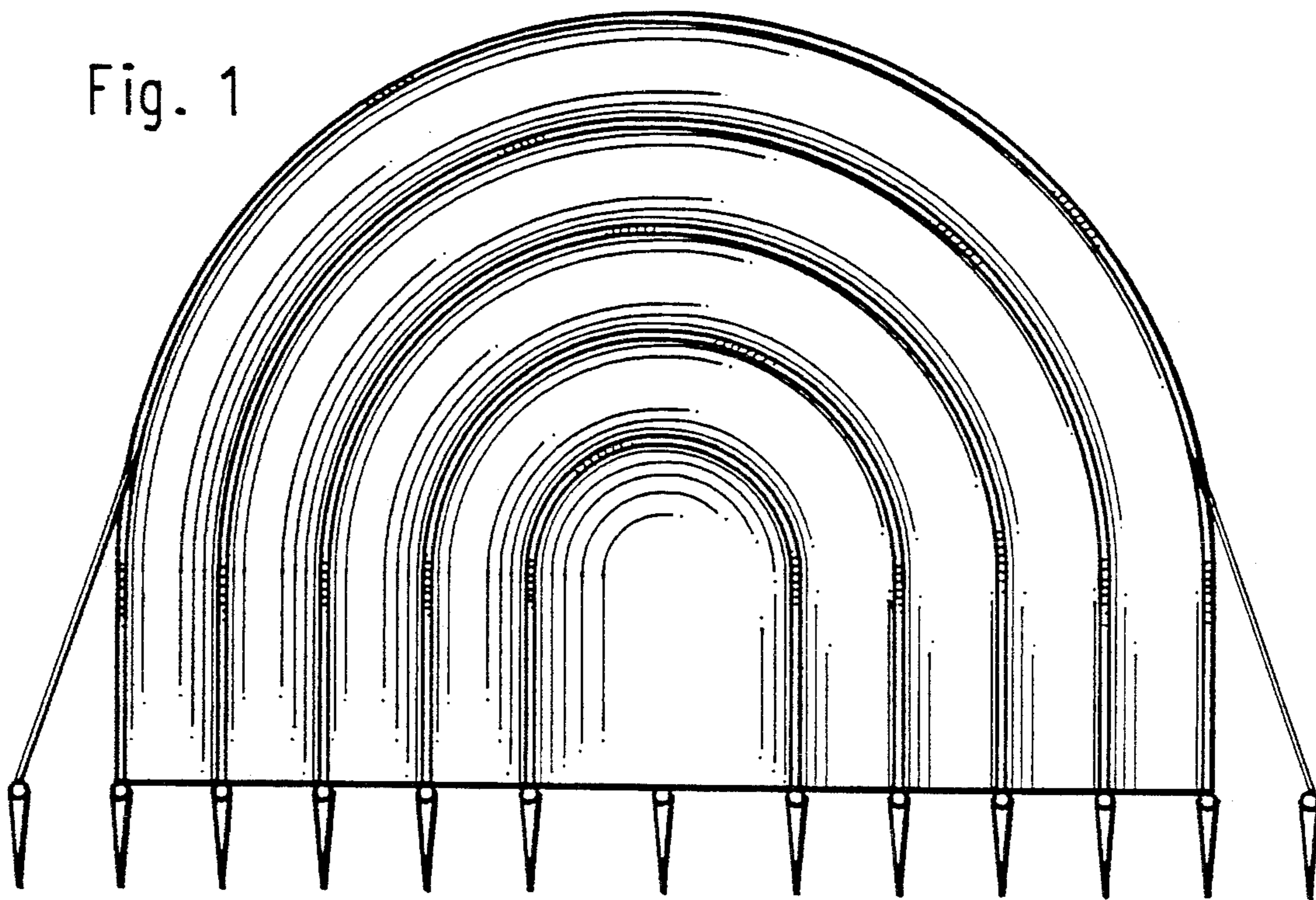


Fig. 2

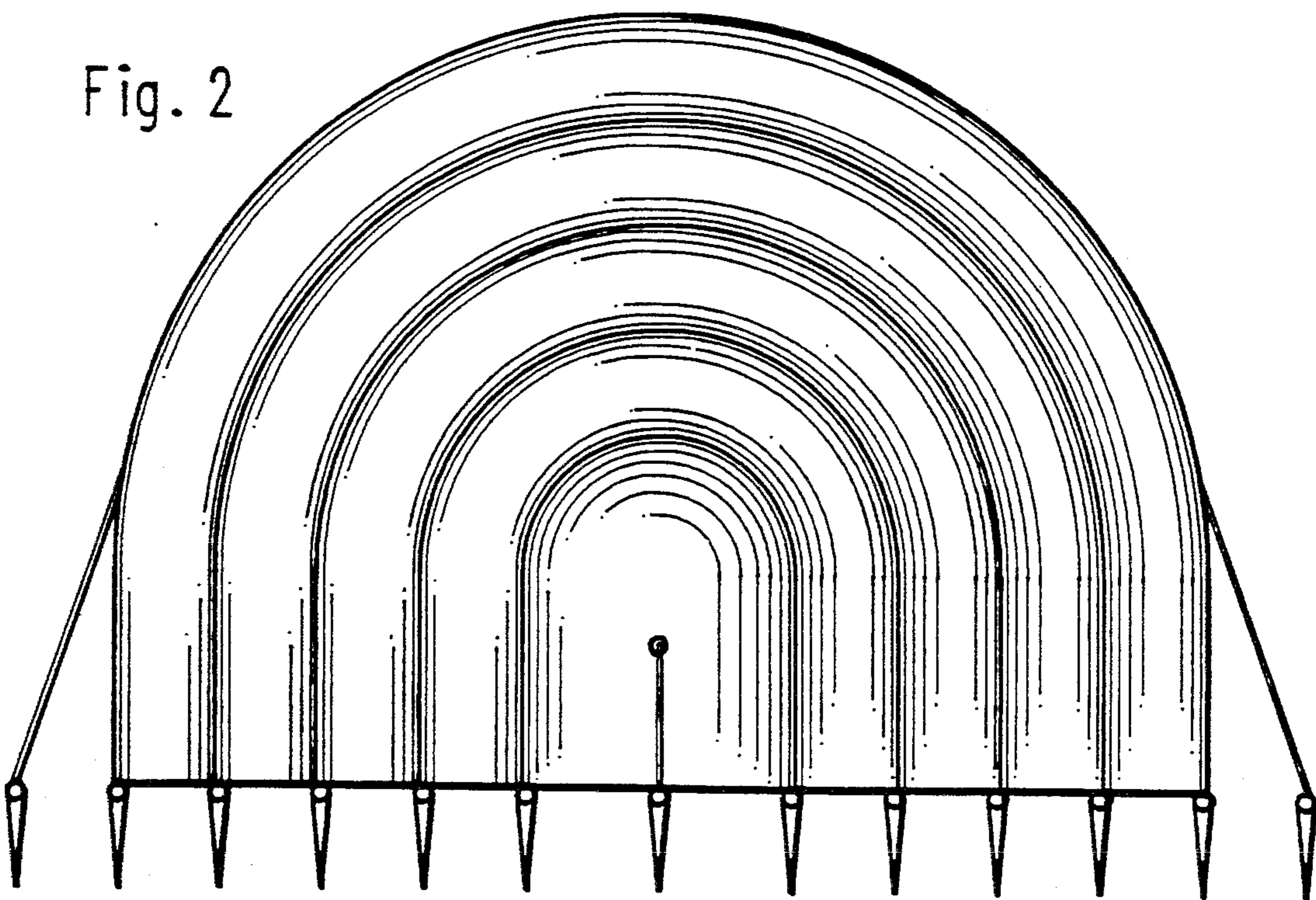


Fig. 3

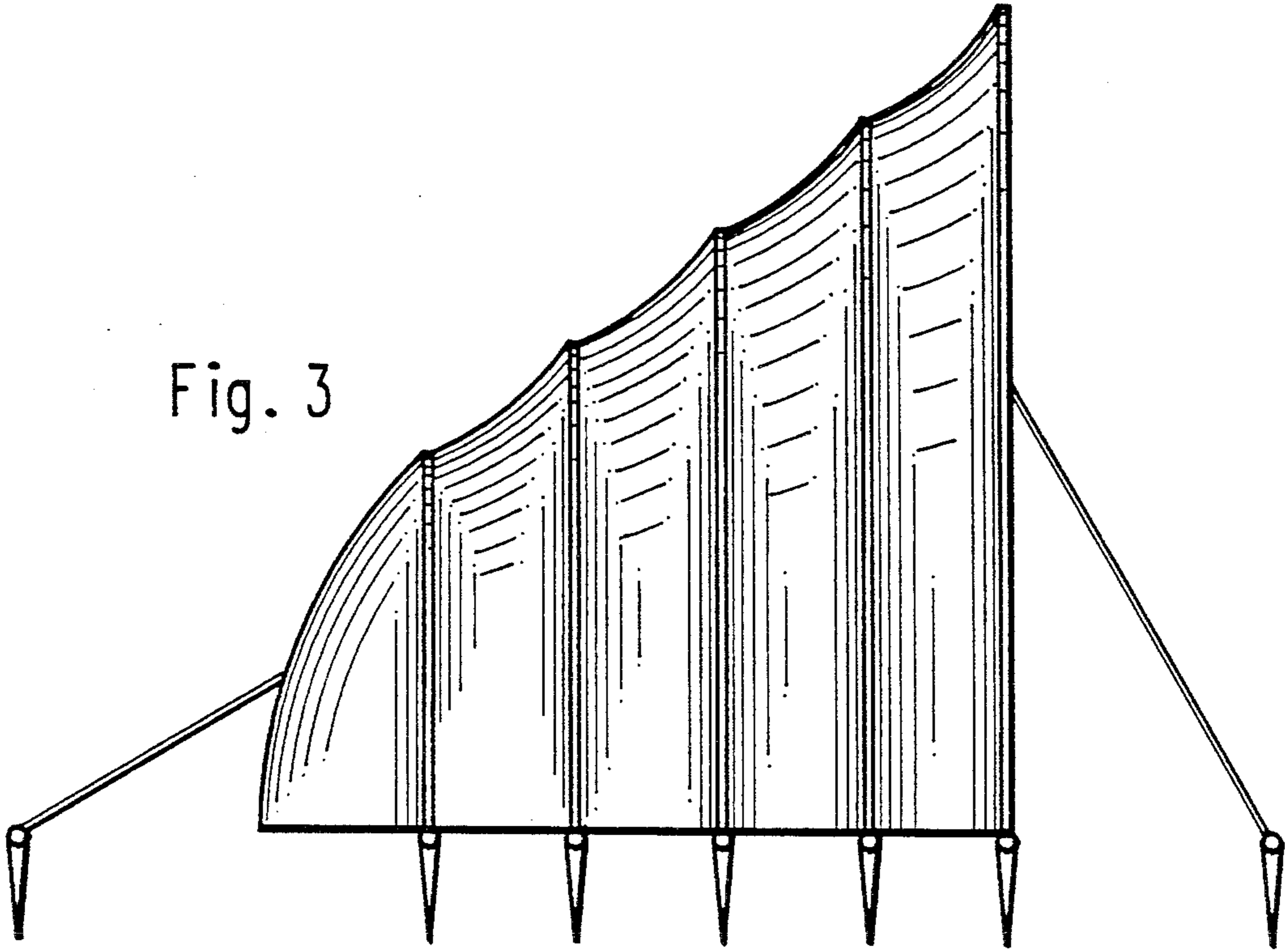
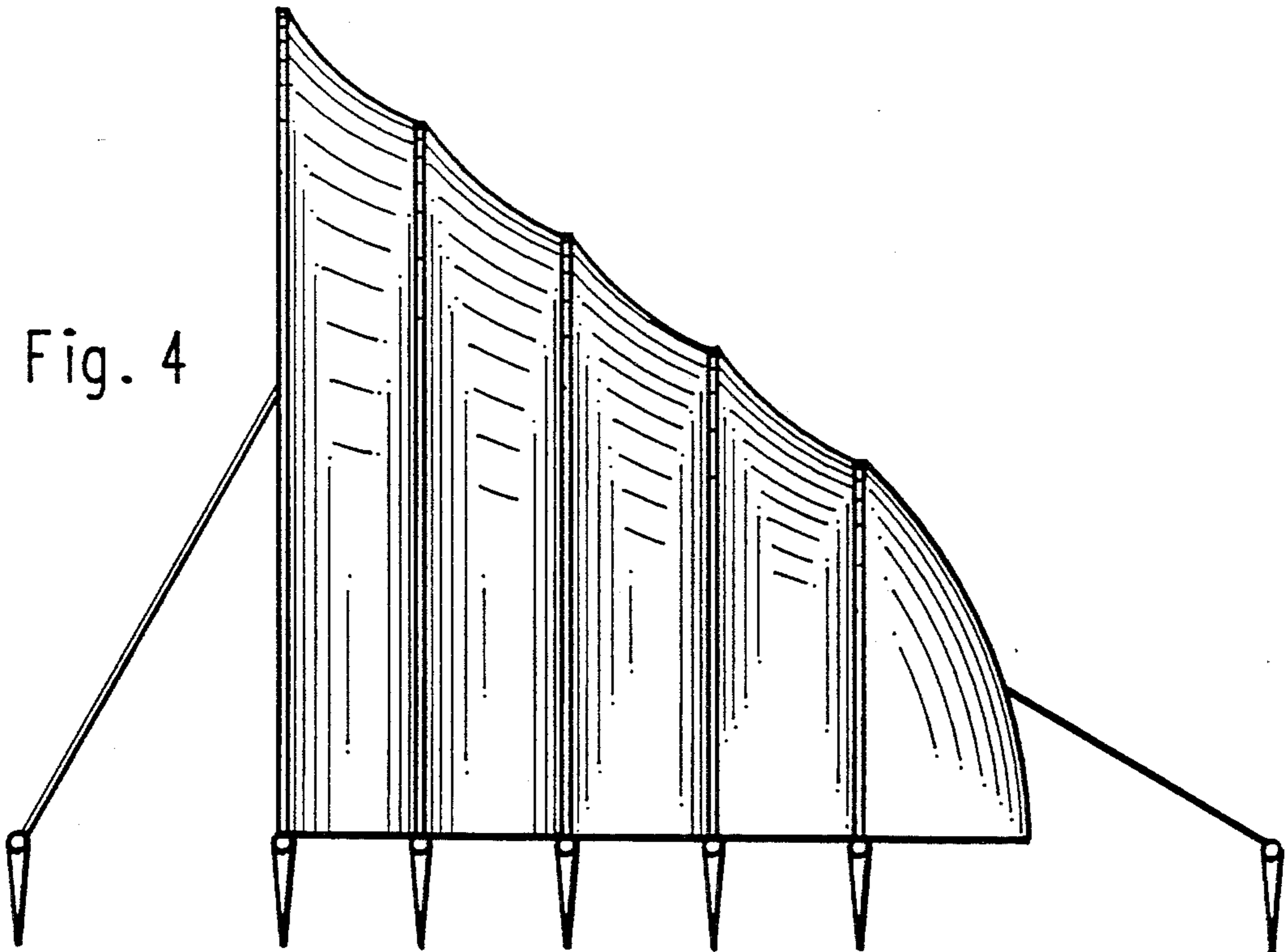


Fig. 4



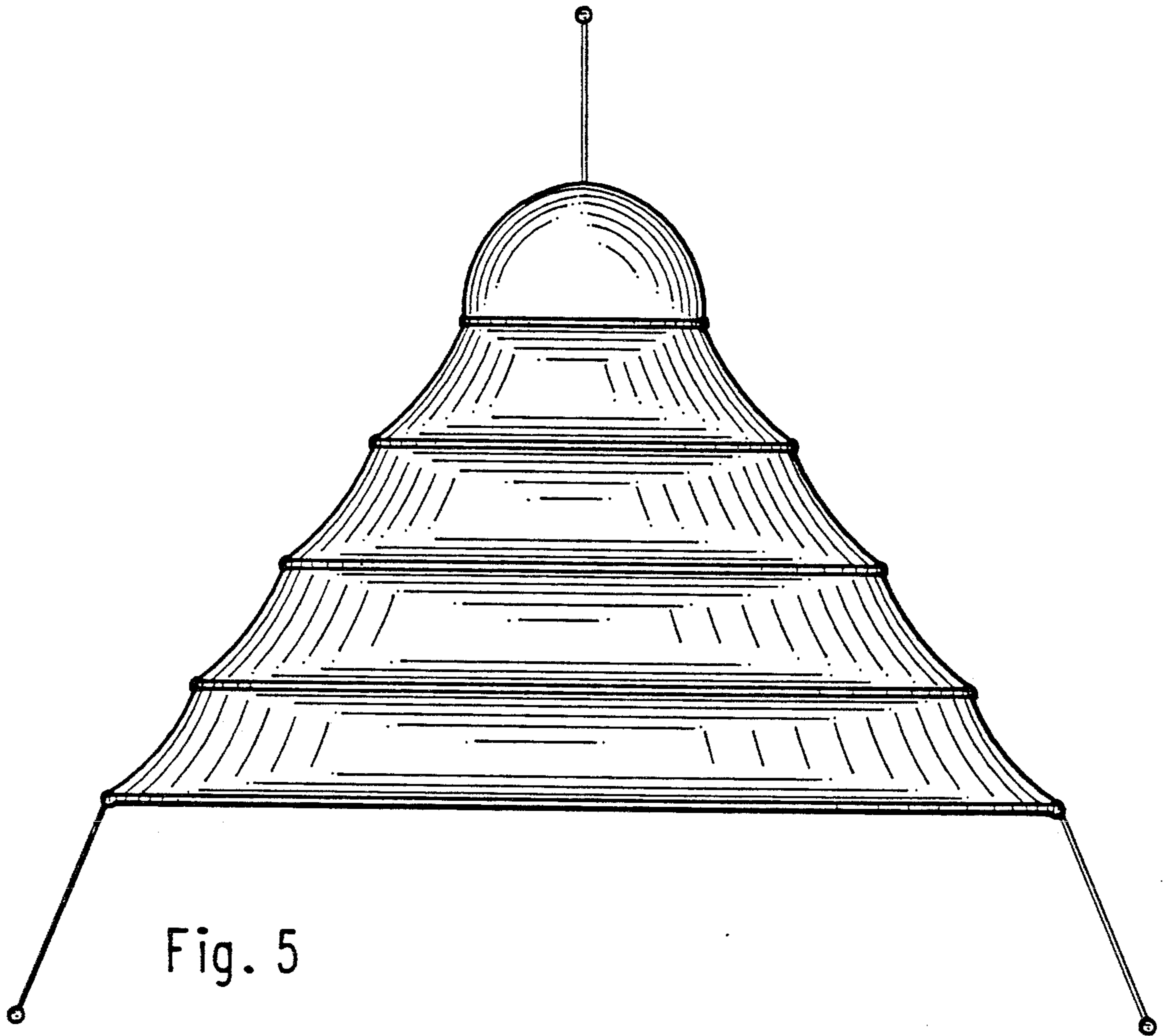


Fig. 5

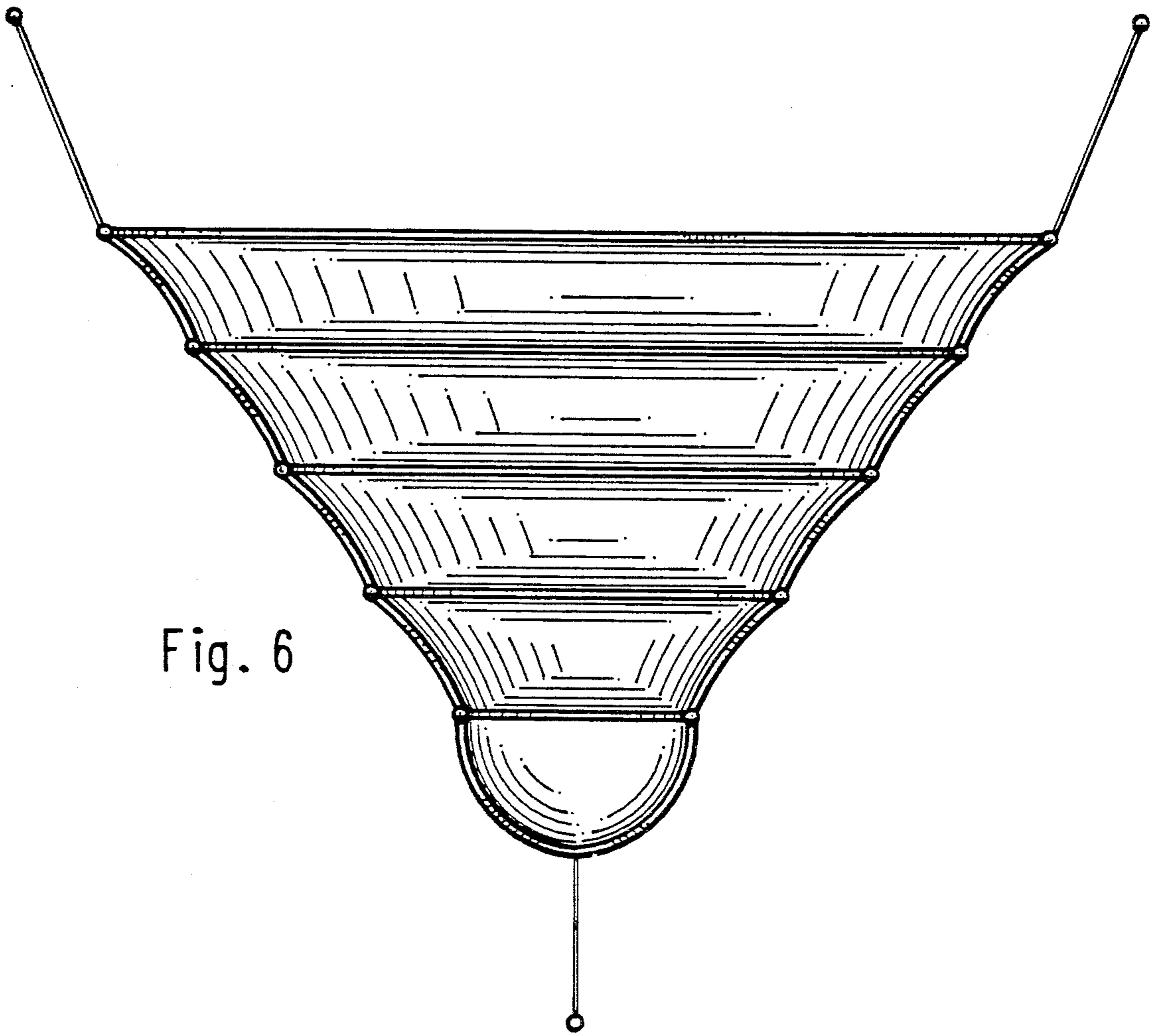


Fig. 6