

[54] SUPPORT BASE FOR A DESK SET OR SIMILAR ARTICLE

[76] Inventor: Mark D. Brady, 154 N. McCadden Pl., Los Angeles, Calif. 90004

[**] Term: 14 Years

[21] Appl. No.: 351,144

[22] Filed: May 12, 1989

[52] U.S. Cl. D19/97; D19/82; D19/85; D19/96

[58] Field of Search D19/65, 75, 81-85, D19/95, 99, 100; D21/8, 9, 10, 27, 28, 29; 206/214, 371; 211/69.1-69.9

[56] References Cited

U.S. PATENT DOCUMENTS

D. 94,290	1/1935	Tratsch	D21/10
D. 94,291	1/1935	Tratsch	D21/10
D. 165,908	2/1952	Cleary	D19/82
D. 230,539	3/1974	Aires	D21/29 X
D. 233,453	10/1974	Huffman	D21/29
D. 255,586	6/1980	Dane	D19/82
D. 255,587	6/1980	Dane	D19/82
D. 275,967	10/1984	Morano, Jr.	D19/82 X

D. 294,508	3/1988	Kight et al.	D21/29
D. 305,912	2/1990	Poisson	D21/29
1,990,809	2/1935	Wright	D21/29 X
2,101,764	12/1937	Swart	D21/29 X

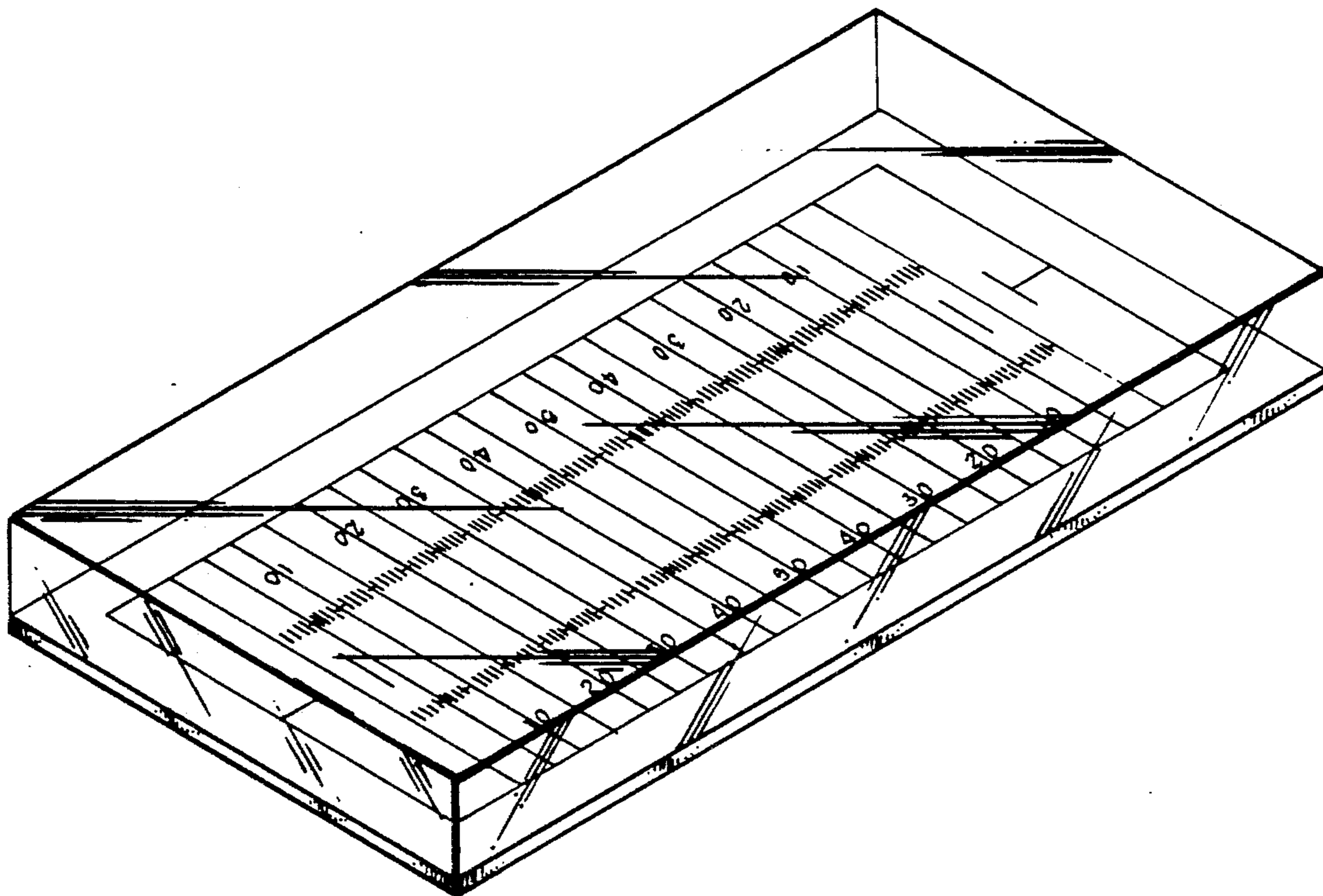
Primary Examiner—Bruce W. Dunkins
 Assistant Examiner—Martha Thompson
 Attorney, Agent, or Firm—Nilsson, Robbins, Dalgarn, Berliner, Carson & Wurst

[57] CLAIM

The ornamental design for a support base for a desk set or similar article, as shown and described.

DESCRIPTION

FIG. 1 is a top perspective view of a support base for a desk set or similar article showing my new design in the form of a paper weight;
 FIG. 2 is a rear elevational view, the front view being a mirror image thereof;
 FIG. 3 is a left side elevational view, the right side being a mirror image thereof;
 FIG. 4 is a top plan view;
 FIG. 5 is a bottom plan view; and
 FIG. 6 is a top perspective view of a second embodiment of my new design in the form of a writing instrument holder.



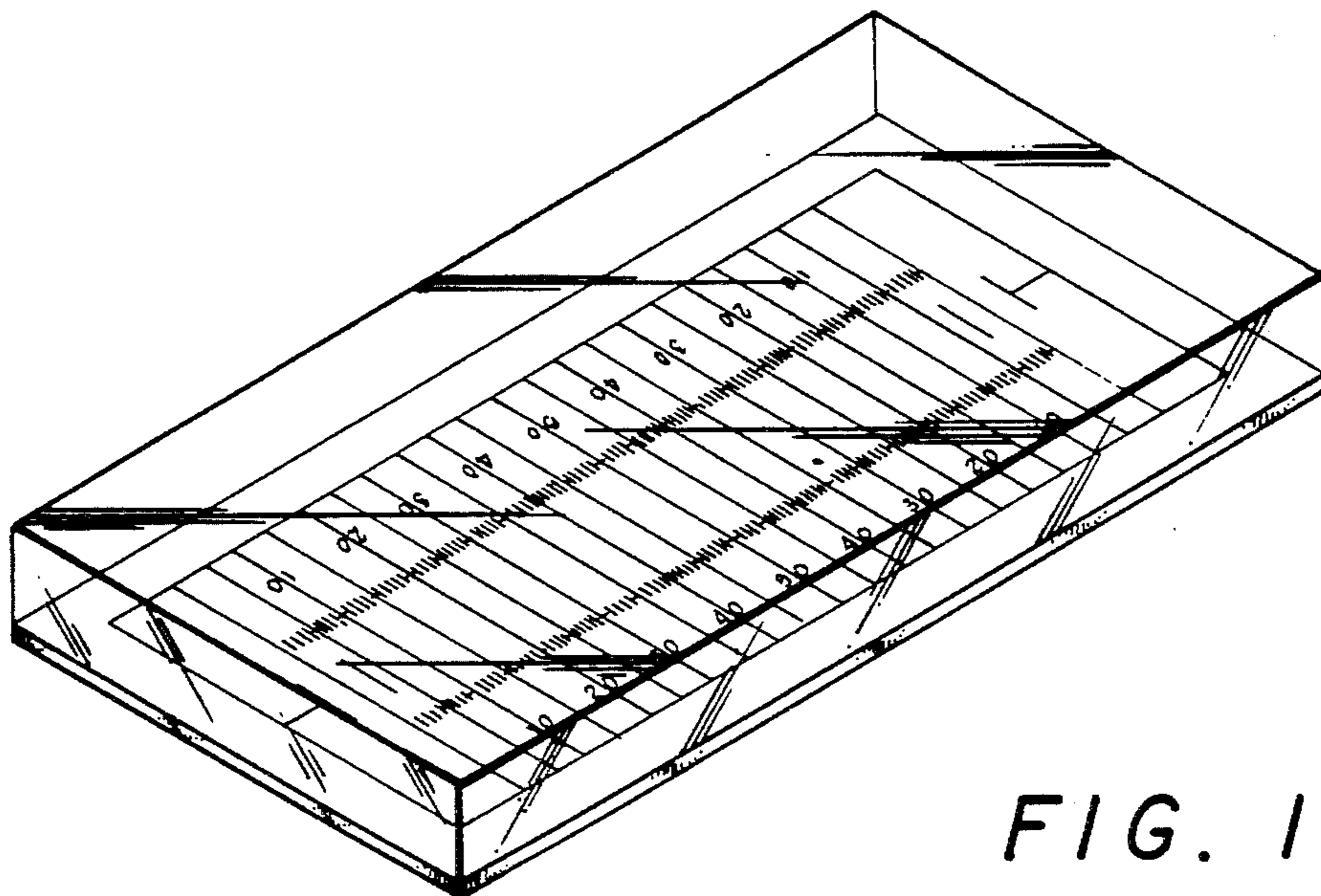


FIG. 1

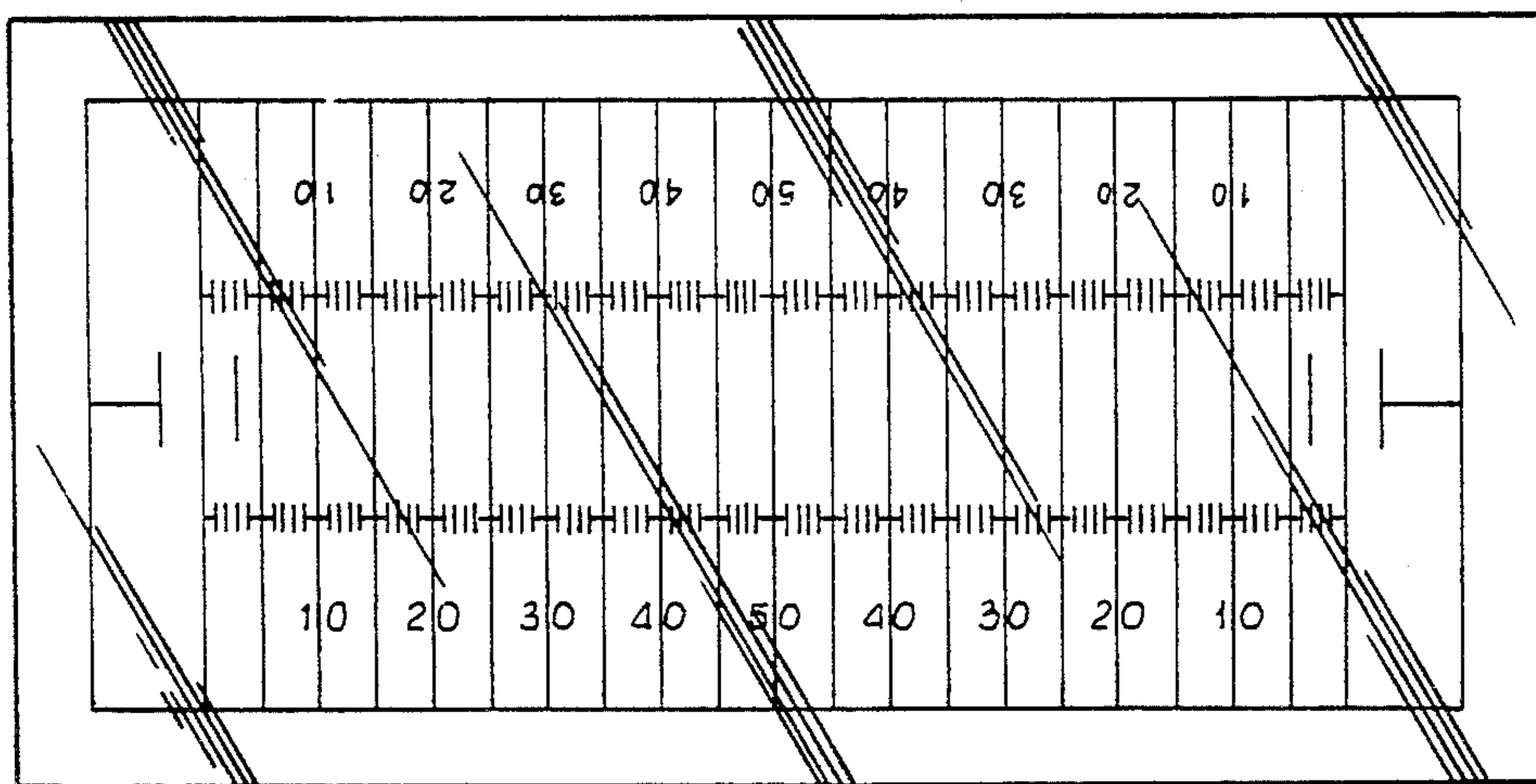


FIG. 4

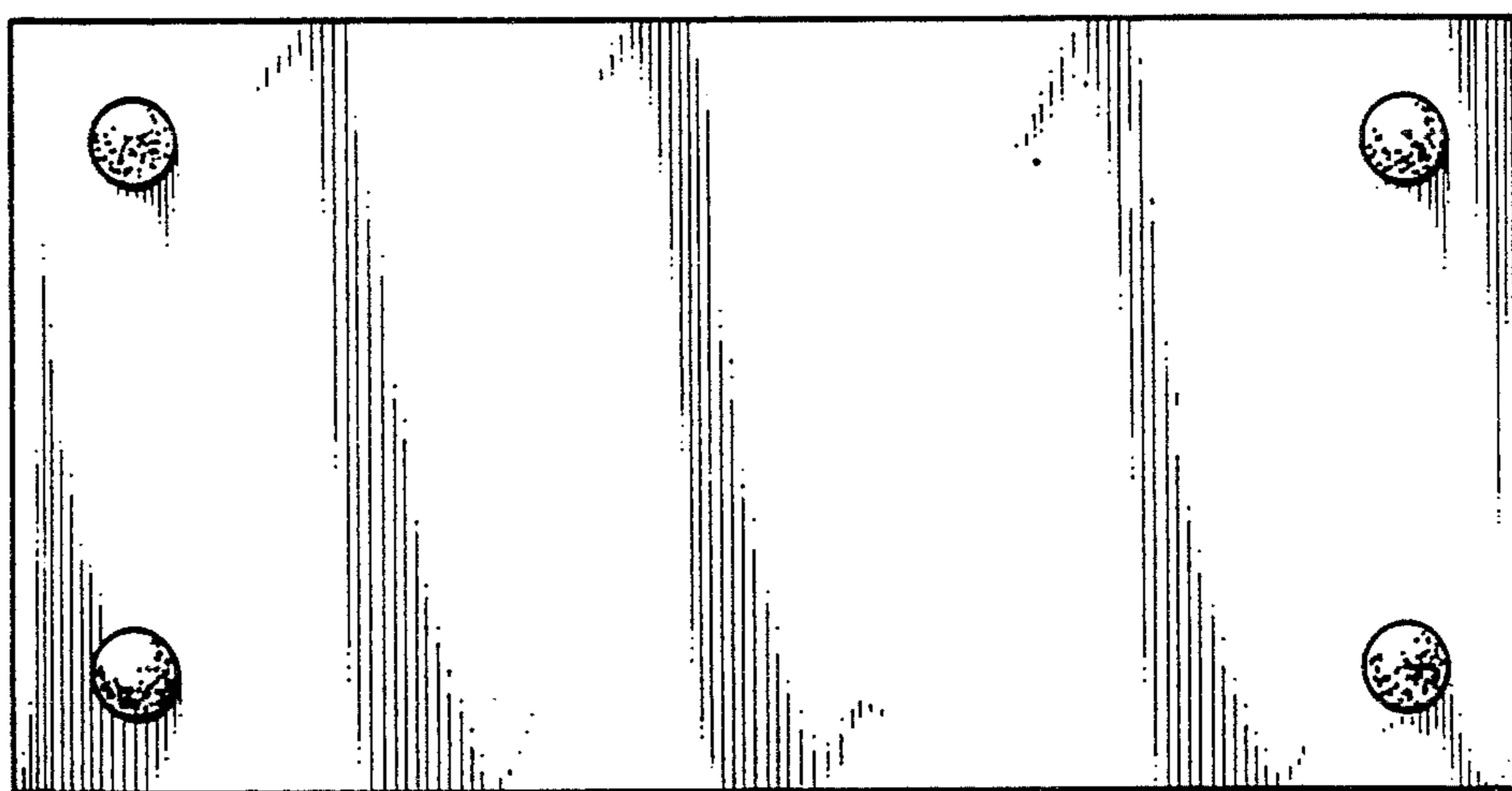


FIG. 5

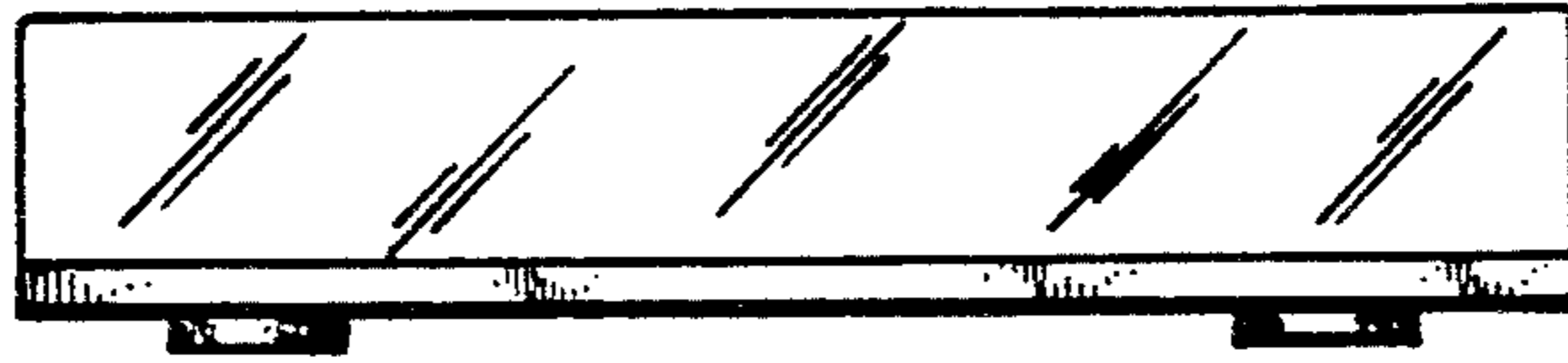


FIG. 2

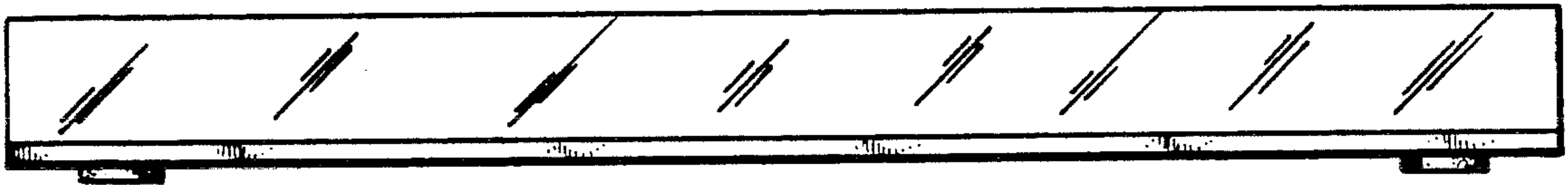


FIG. 3

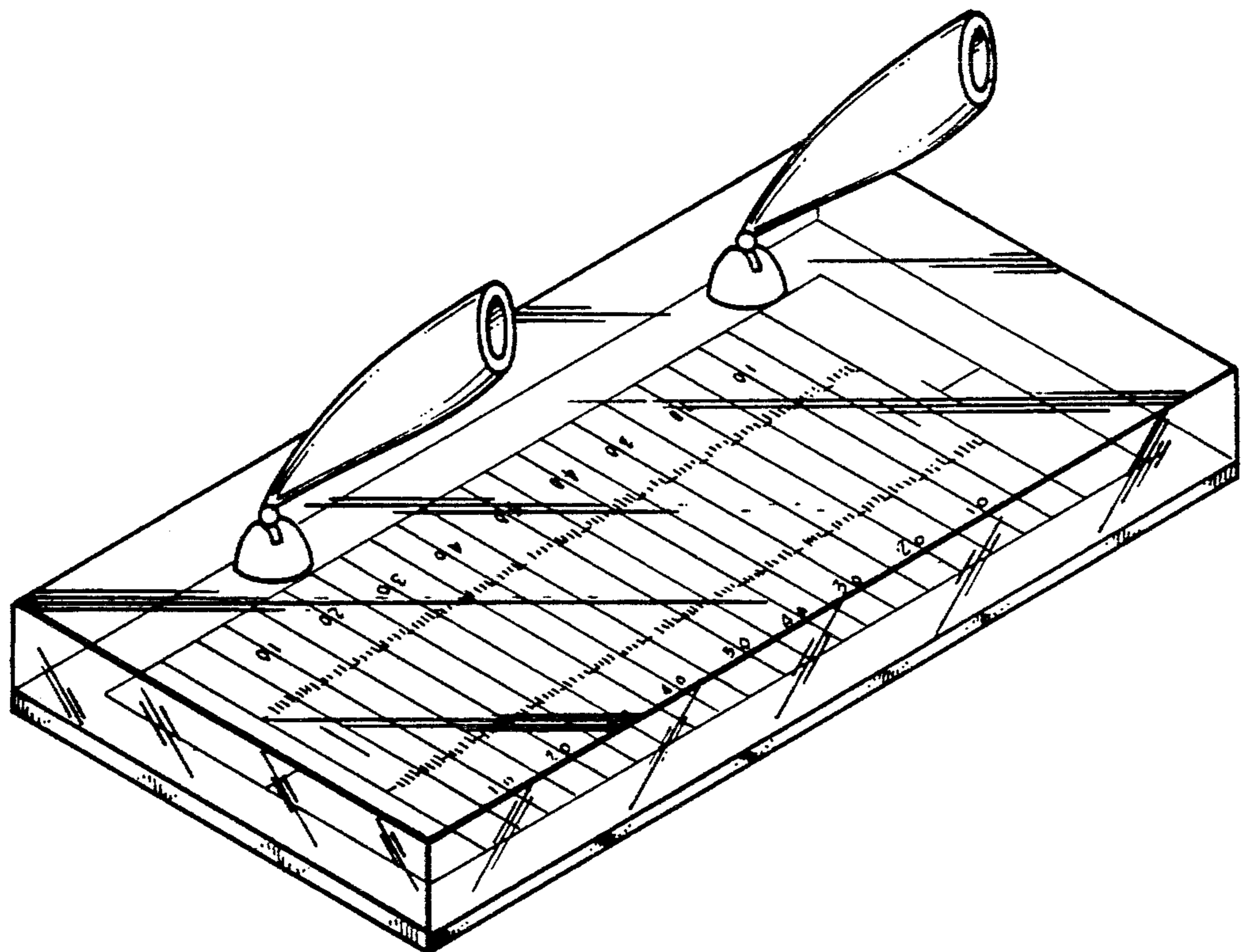


FIG. 6