

[54] SUPPORT BASE FOR A DESK SET OR SIMILAR ARTICLE

[76] Inventor: Mark D. Brady, 154 N. McCadden Pl., Los Angeles, Calif. 90004

[**] Term: 14 Years

[21] Appl. No.: 319,229

[22] Filed: Mar. 6, 1989

[52] U.S. Cl. D19/97; D19/82; D19/85; D19/96

[58] Field of Search D19/65, 75, 81-85, D19/95, 99, 100; D21/8, 9, 10, 27, 28, 29; 206/214, 371; 211/69.1-69.9

[56] References Cited

U.S. PATENT DOCUMENTS

D. 59,820	11/1921	Cotter	D21/28
D. 165,908	2/1952	Cleary	D19/82
D. 221,142	7/1971	Posnick	D21/28
D. 255,586	6/1980	Dane	D19/82
D. 255,587	6/1980	Dane	D19/82
D. 262,126	12/1981	Tsukuda	D21/28
D. 264,355	5/1982	Hanzawa	D21/28 X
D. 267,459	1/1983	Burt	D21/28 X

D. 275,967	10/1984	Morano, Jr.	D19/82 X
D. 282,125	1/1986	Alonzo	D21/28 X
3,105,688	10/1963	Gray	D21/28 X

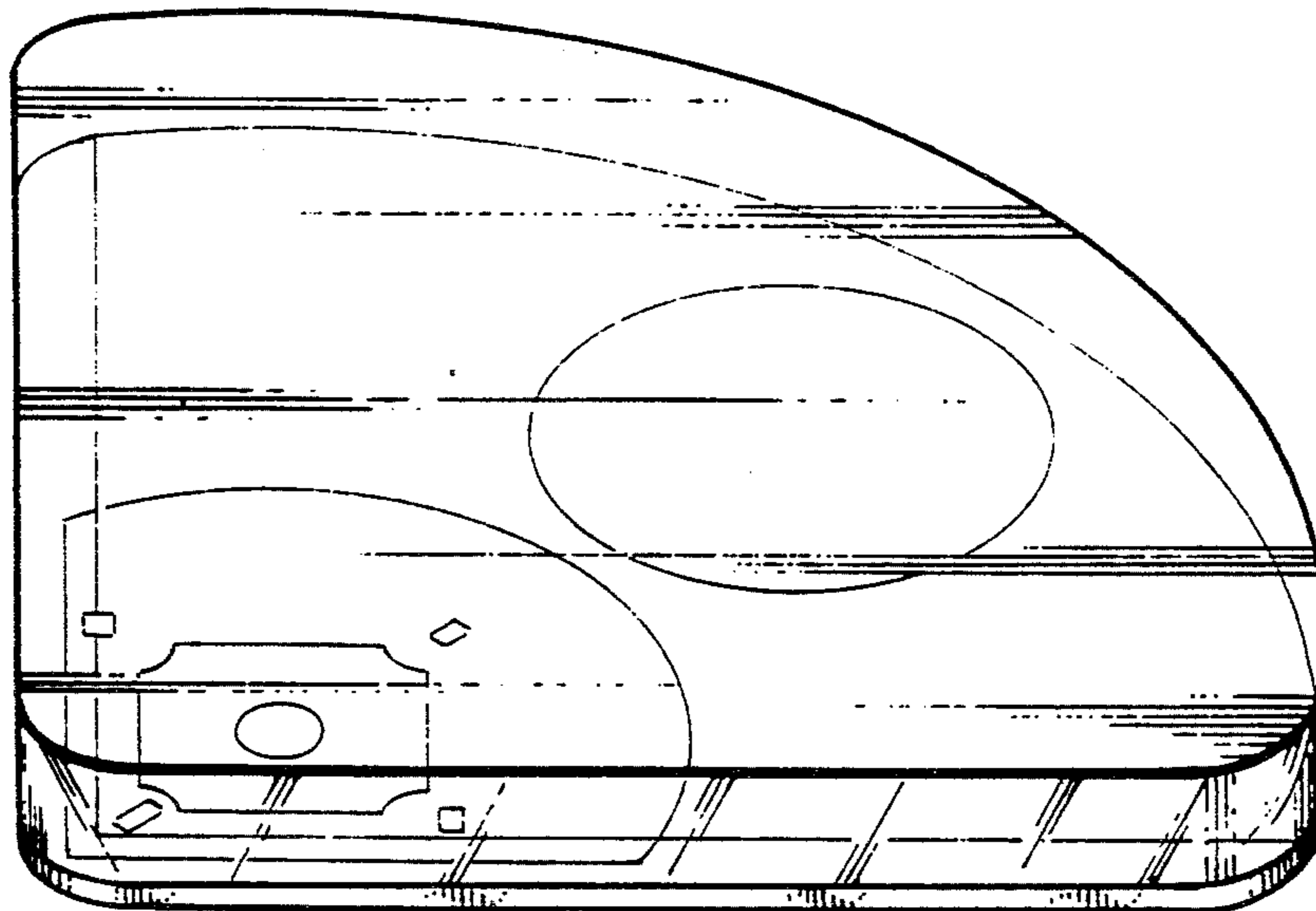
Primary Examiner—Bruce W. Dunkins
Assistant Examiner—Martha Thompson
Attorney, Agent, or Firm—Nilsson, Robbins, Dalgarn, Berliner, Carson & Wurst

[57] CLAIM

The ornamental design for a support base for a desk set or similar article, as shown and described.

DESCRIPTION

FIG. 1 is a top perspective view of a support base for a desk set or similar article showing my new design in the form of a paper weight;
FIG. 2 is a top plan view;
FIG. 3 is a front elevational view;
FIG. 4 is a rear elevational view;
FIG. 5 is a left side elevational view, the right side being a mirror image thereof;
FIG. 6 is a bottom plan view; and
FIG. 7 is a top perspective view of a second embodiment of my new design in the form of a writing instrument holder.



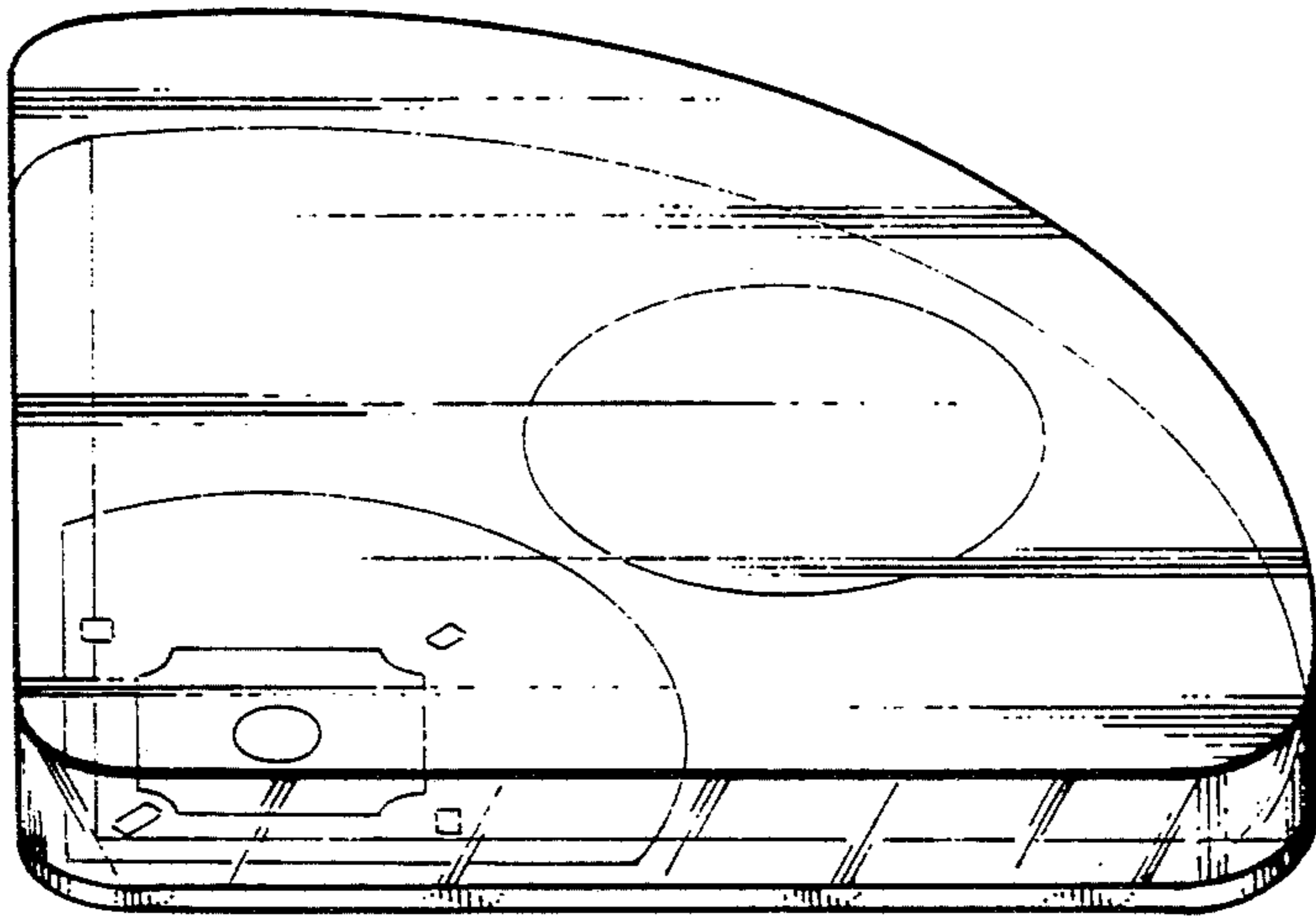


FIG. 1

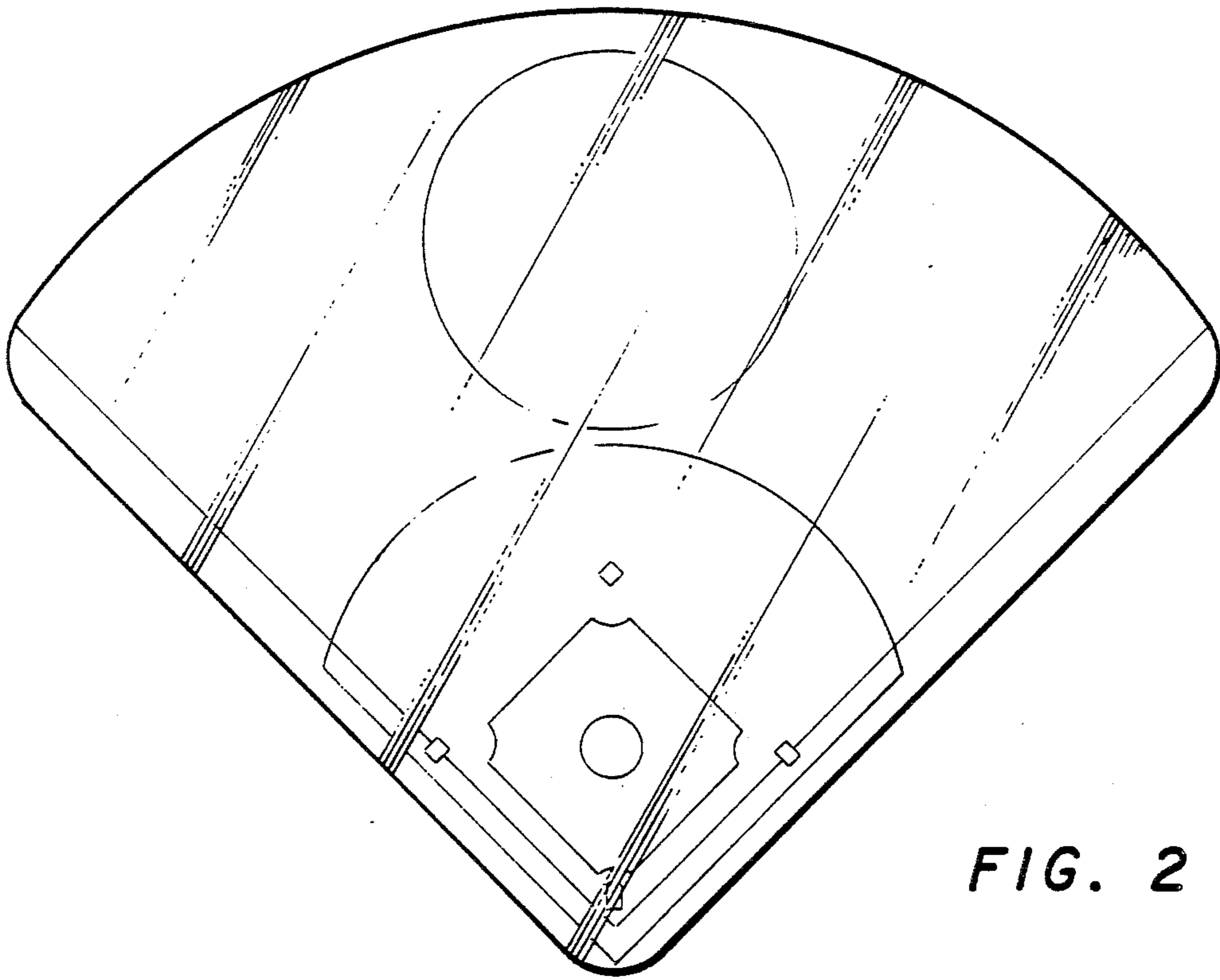


FIG. 2

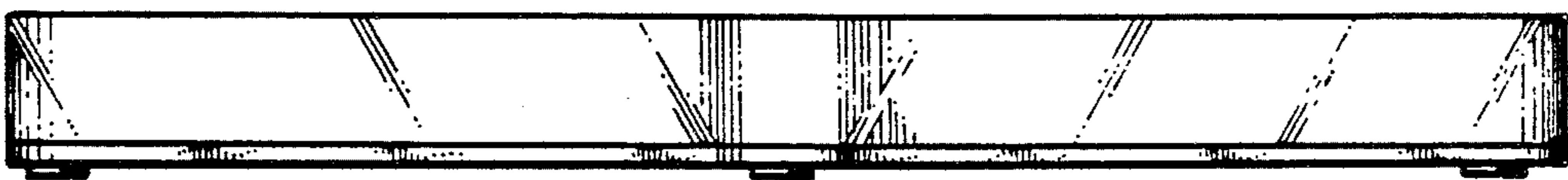


FIG. 3



FIG. 4



FIG. 5

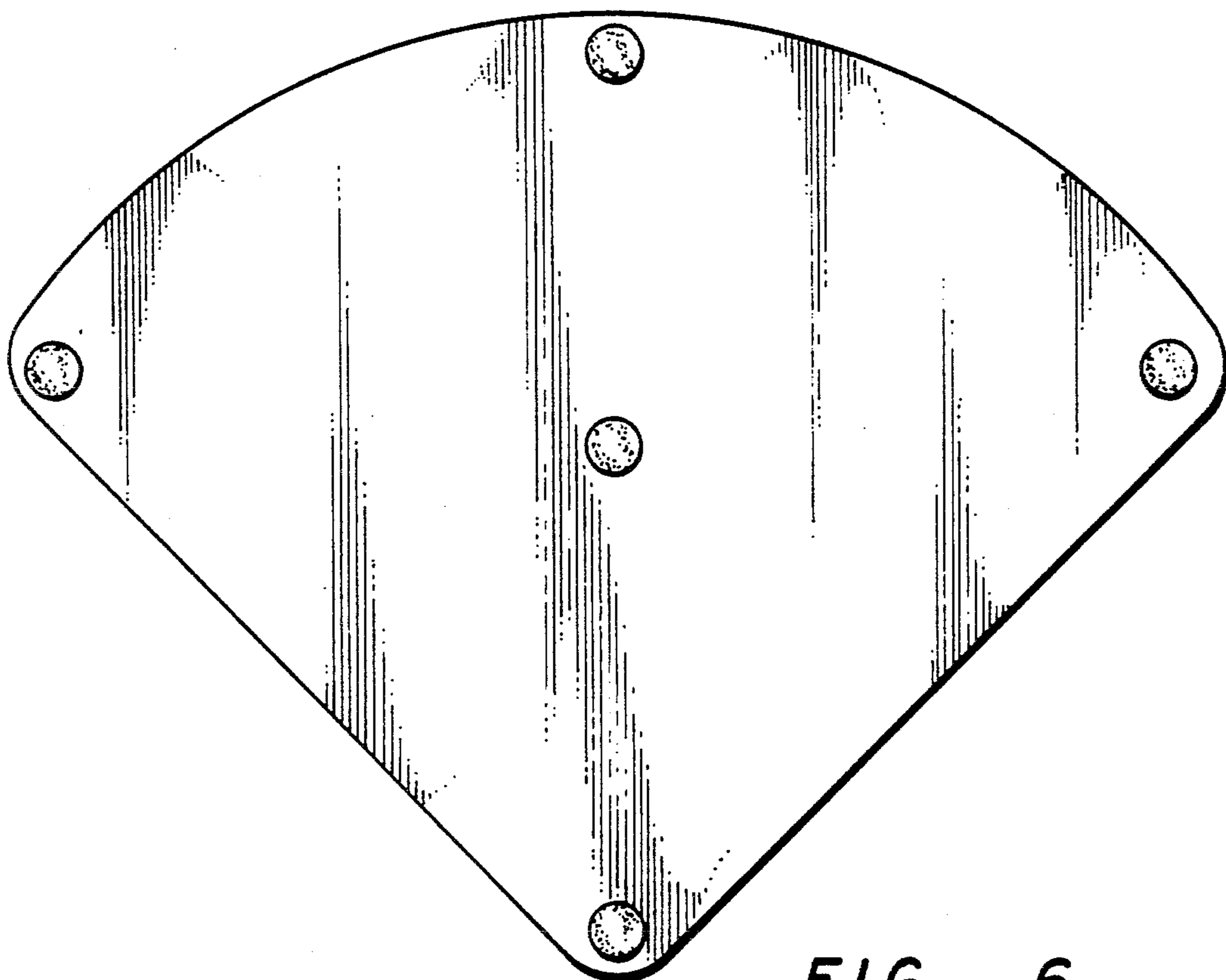


FIG. 6

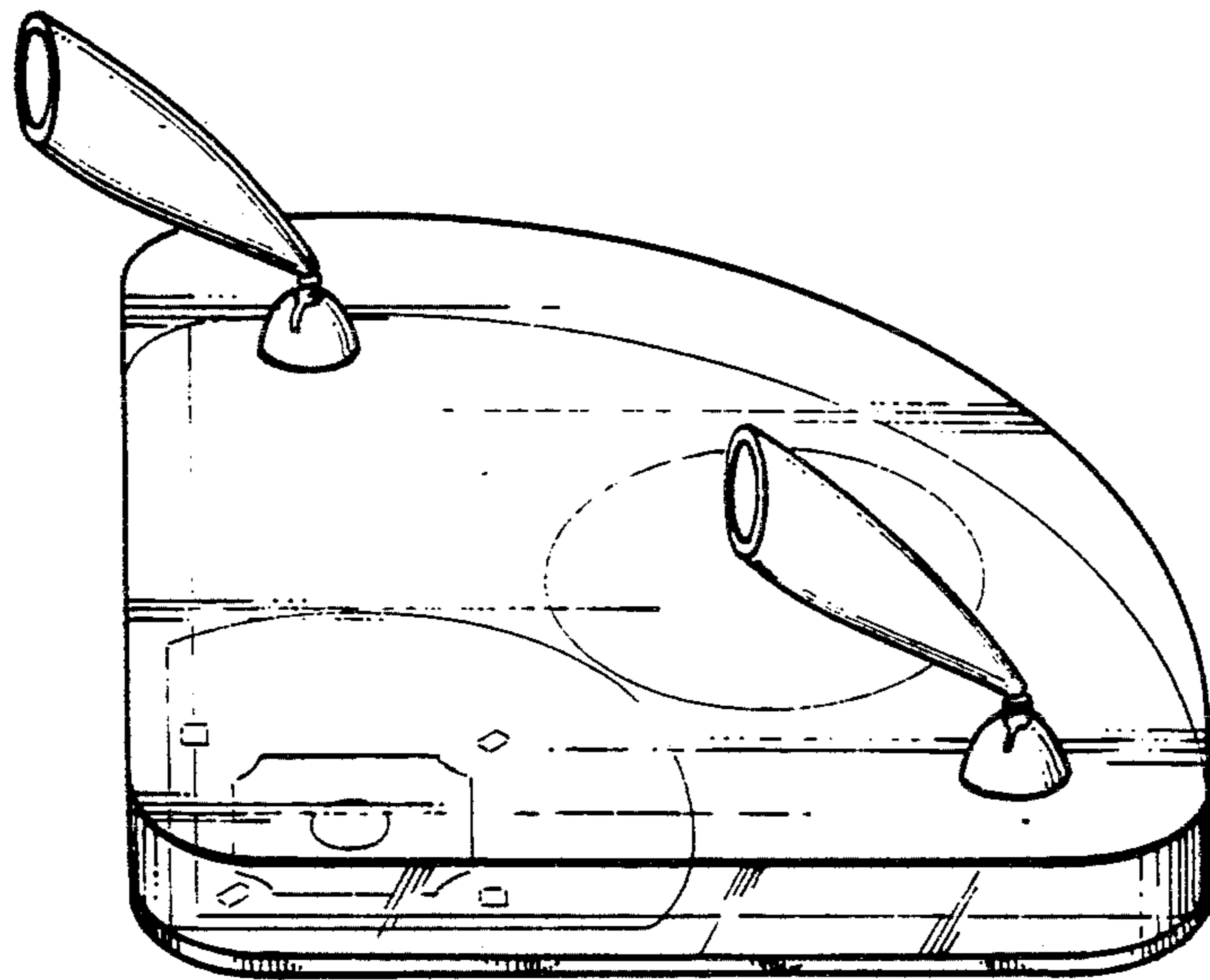


FIG. 7