

[54] AUTOMATIC PAPER FEEDER FOR PRINTER

[75] Inventors: Masayuki Ono; Akira Suzuki; Noritaka Uchibori, all of Nagano; Friedrich F. Frenkler, Tokyo, all of Japan

[73] Assignee: Seiko Epson Corporation, Tokyo, Japan

[\*\*] Term: 14 Years

[21] Appl. No.: 421,460

[22] Filed: Oct. 12, 1989

[30] Foreign Application Priority Data

Apr. 12, 1989 [JP] Japan ..... 1-13511

[52] U.S. Cl. .... D18/49

[58] Field of Search ..... D18/1, 12, 13, 22, 36-44; D14/111; 226/74; 271/3, 2.1, 8.1, 9, 10; 355/308, 309; 400/624-629, 636, 642, 636.2, 646, 647, 647.1, 689-694

[56] References Cited

U.S. PATENT DOCUMENTS

D. 262,714 1/1982 Cathey et al. .... D18/42

D. 277,872	3/1985	Rünzl .....	D18/22 X
D. 287,509	12/1986	Nibley et al. ....	D18/22
D. 304,956	12/1989	Omino et al. ....	D18/22
4,560,156	12/1985	Dubois .....	271/10 X
4,589,646	5/1986	Ozawa et al. ....	271/10 X
4,619,388	10/1986	Ono et al. ....	400/629 X
4,691,911	9/1987	Nakagawa et al. ....	400/636.2 X
4,747,718	5/1988	Shimizu .....	400/625
4,898,488	2/1990	Yokoi et al. ....	400/647 X

Primary Examiner—Wallace R. Burke  
Assistant Examiner—Freda S. Nunn  
Attorney, Agent, or Firm—Blum Kaplan

[57] CLAIM

The ornamental design for an automatic paper feeder for printer, as shown and described.

DESCRIPTION

FIG. 1 is a top plan view of an automatic paper feeder for printer showing our new design; FIG. 2 is a right side elevational view thereof; FIG. 3 is a front elevational view thereof; FIG. 4 is a left side elevational view thereof; FIG. 5 is a rear elevational view thereof; FIG. 6 is a bottom plan view thereof; and FIG. 7 is a top front and right side perspective view thereof.

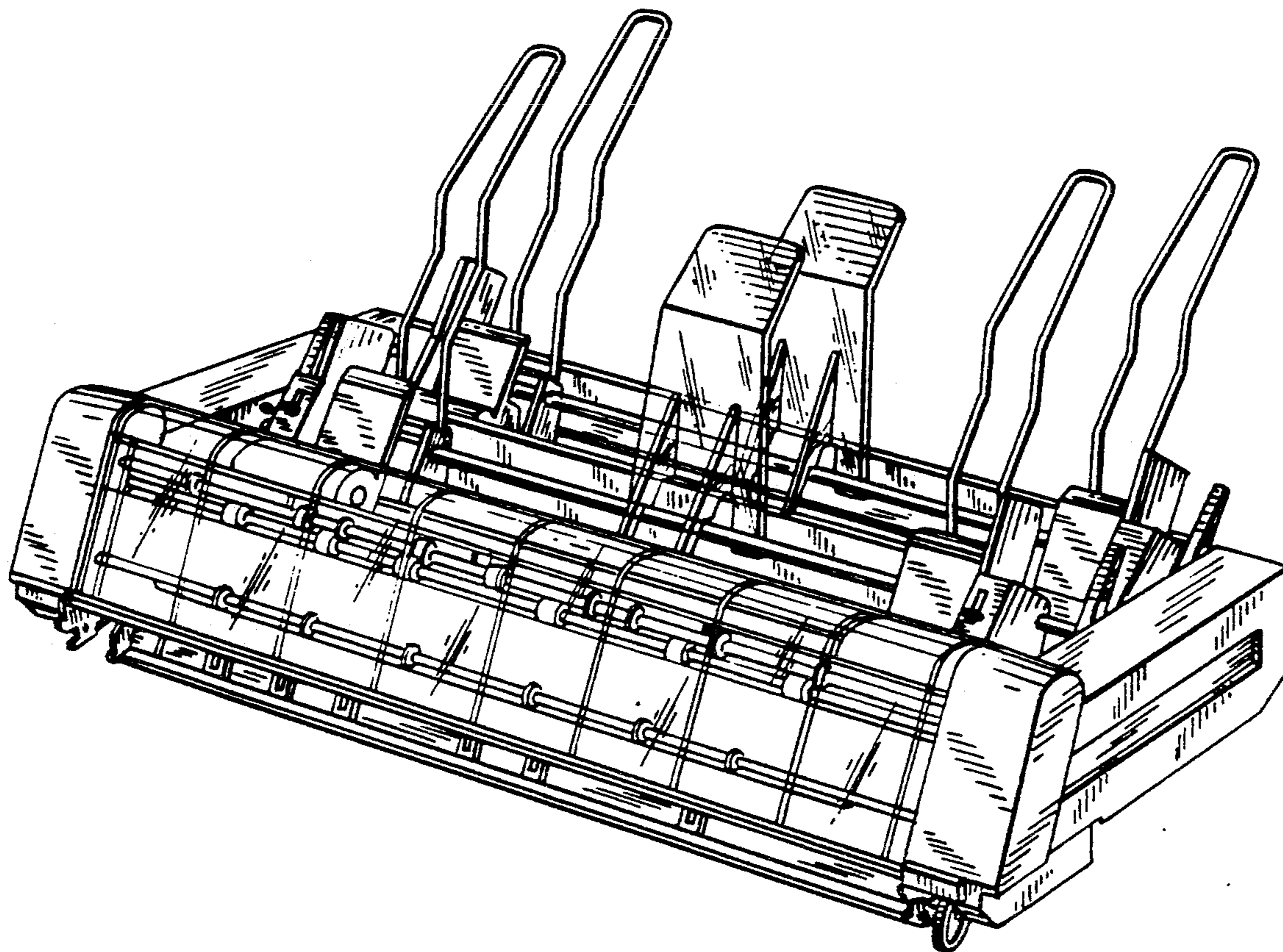


FIG. 1

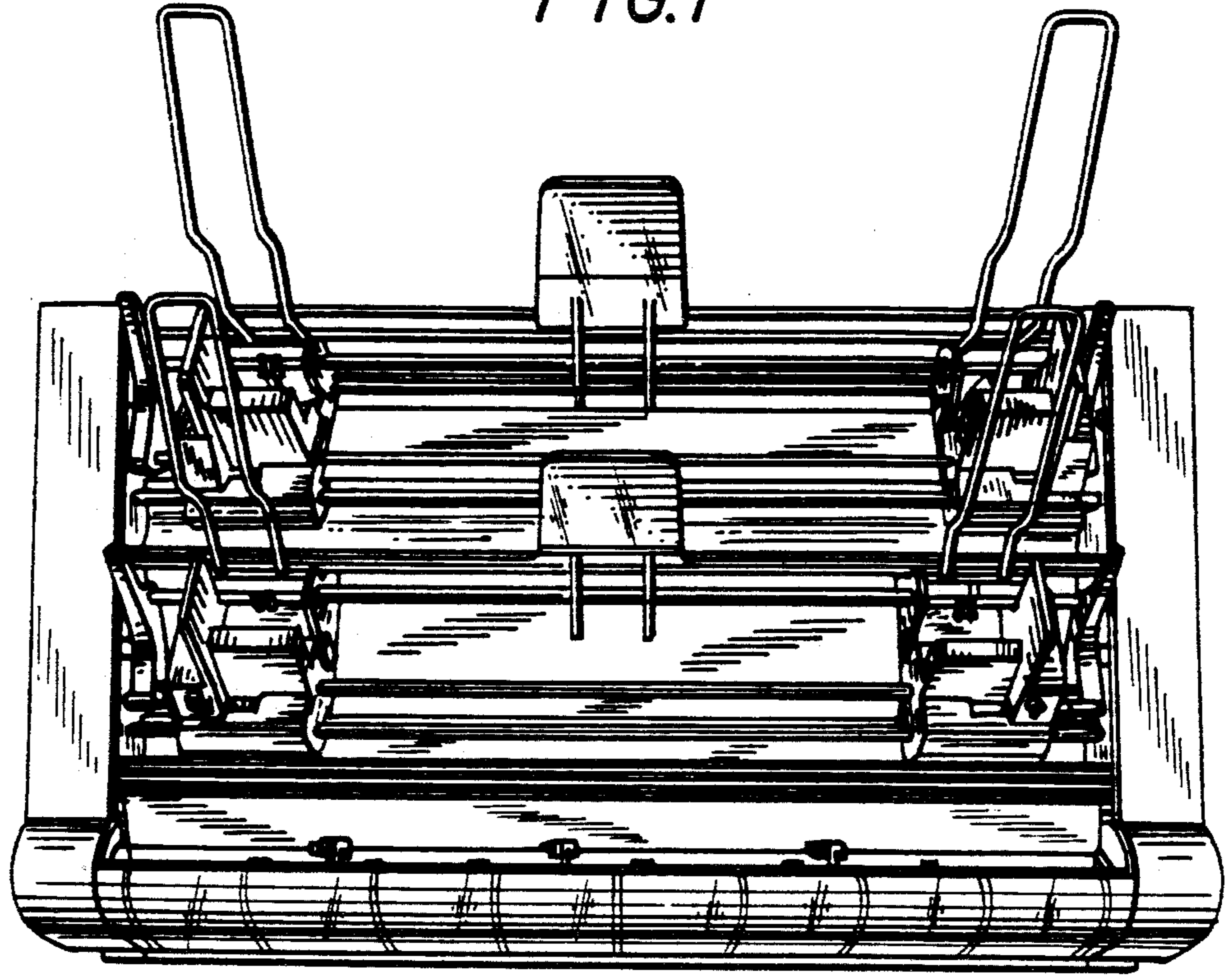


FIG. 2

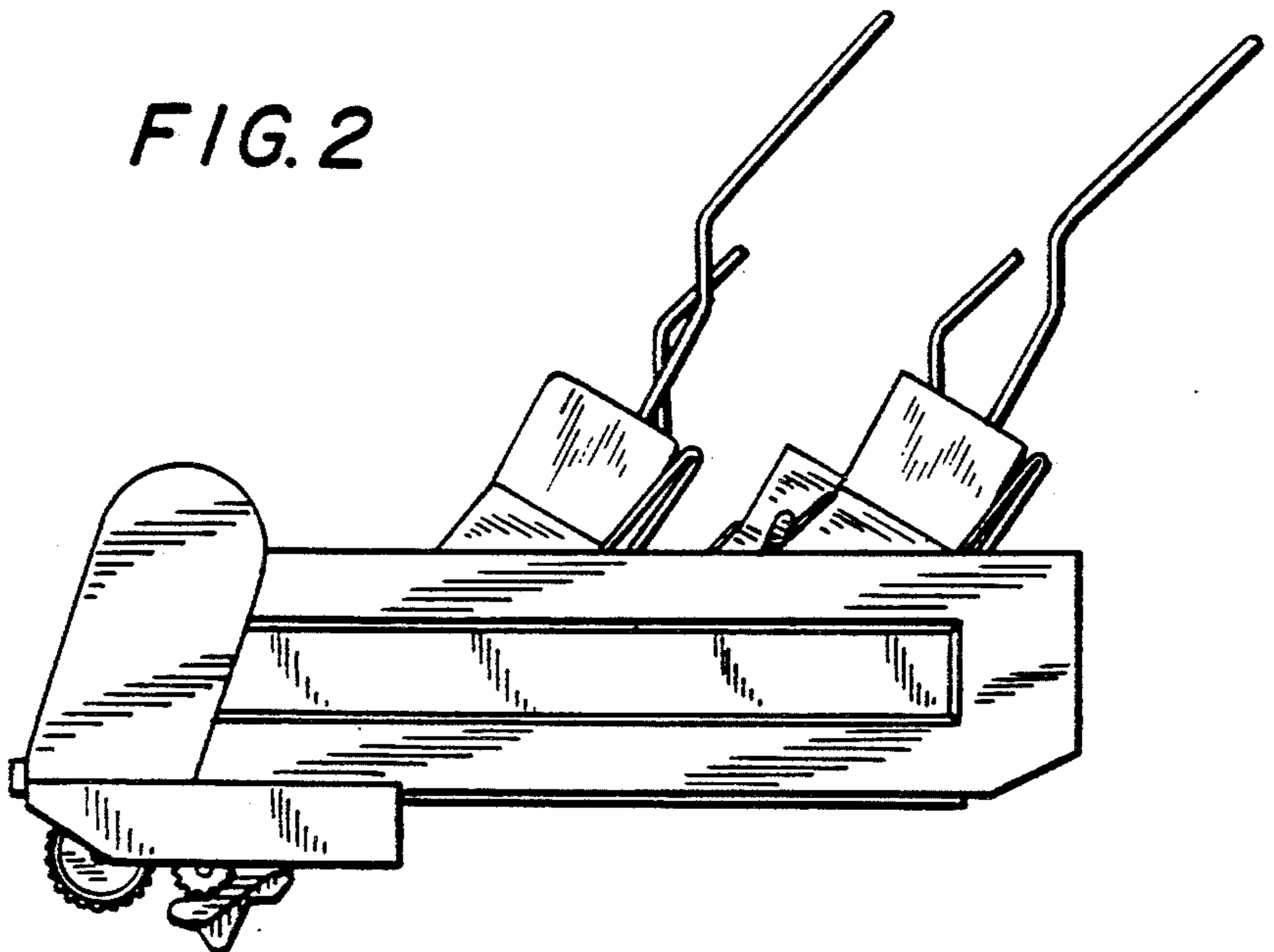




FIG. 3

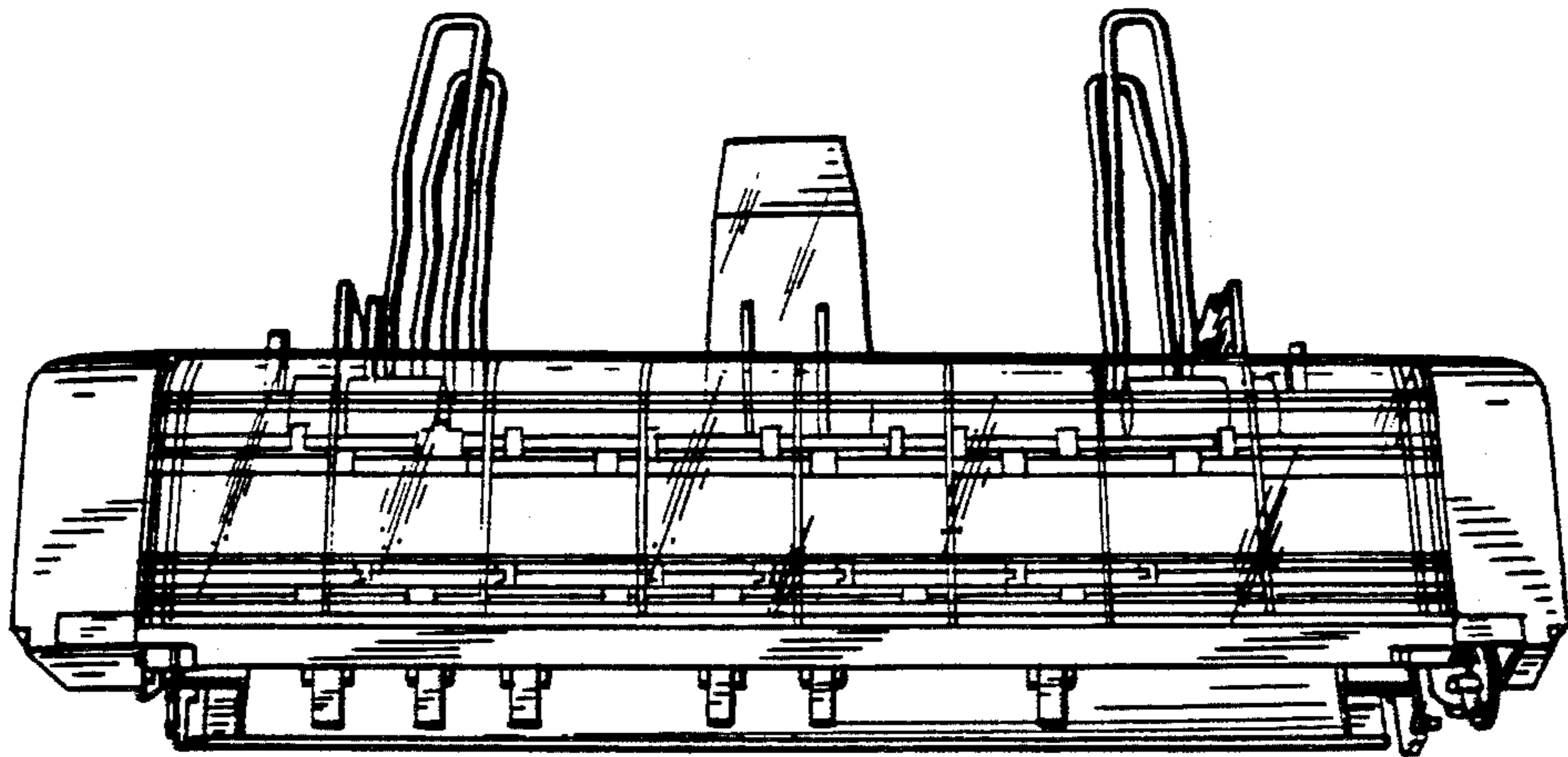


FIG. 4

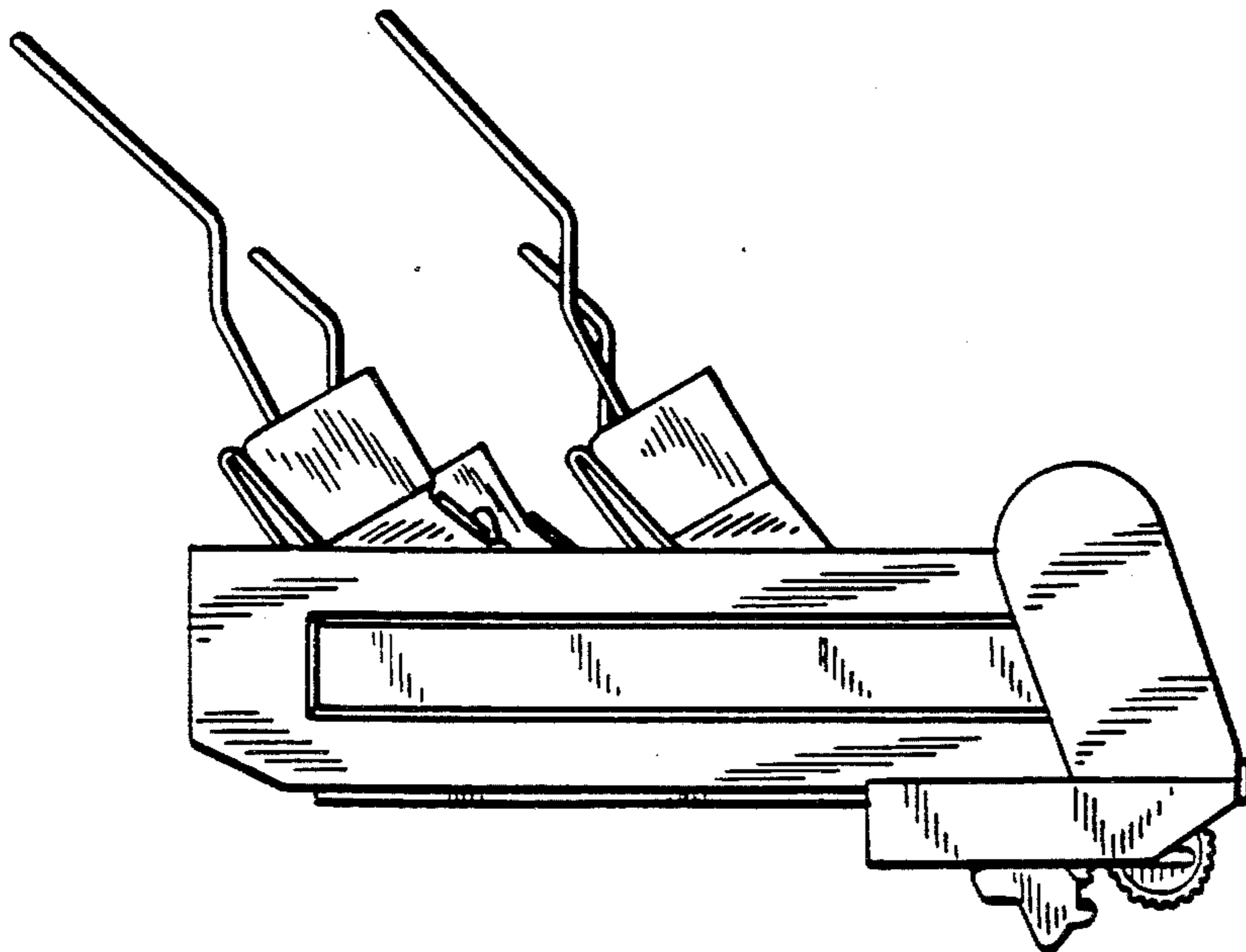


FIG. 5

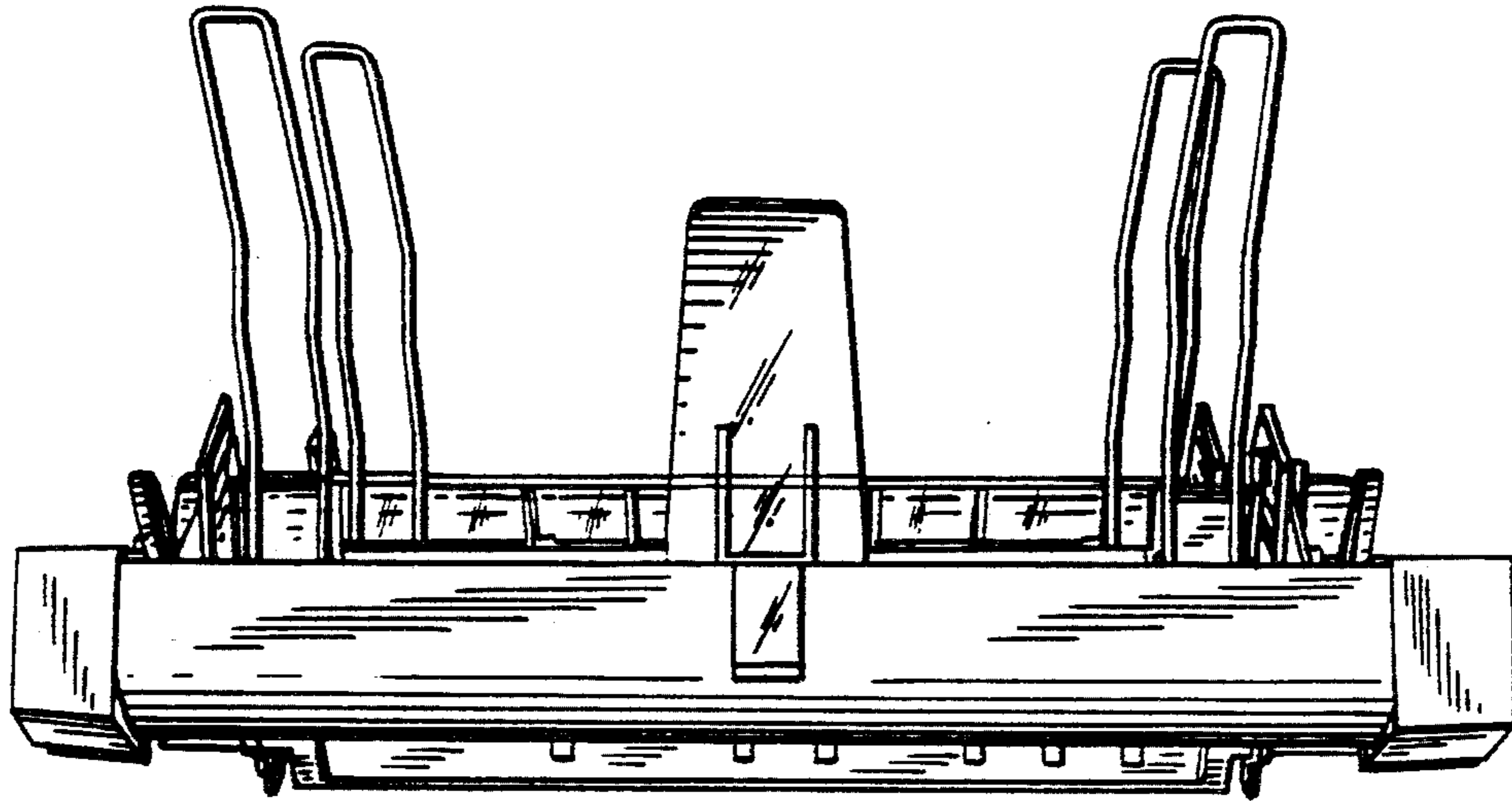


FIG. 6

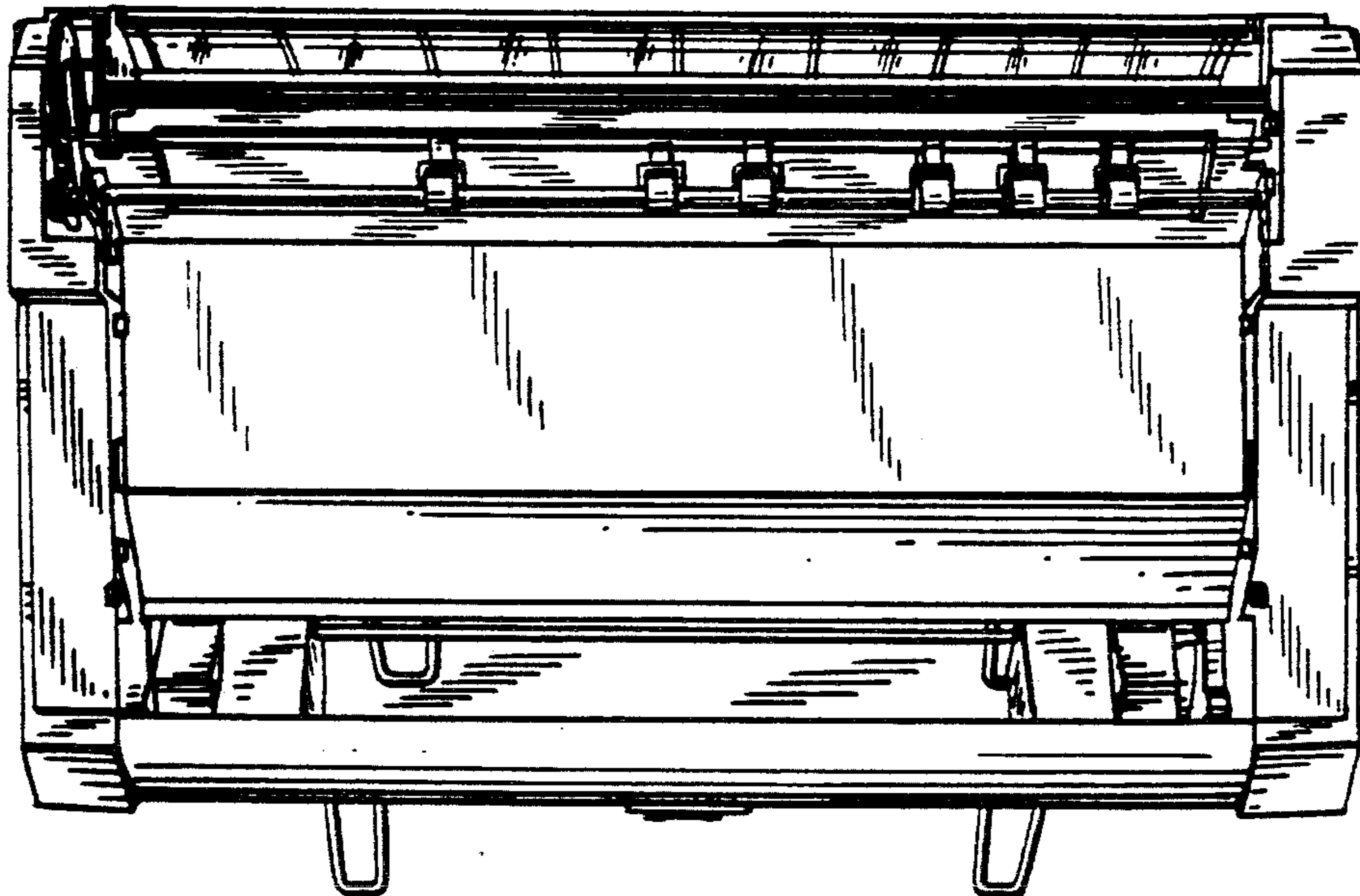


FIG. 7

