

[54] AUTOMATIC PAPER FEEDER FOR PRINTER

[75] Inventors: Noritaka Uchibori; Toshimitsu Ohara, both of Nagano, Japan

[73] Assignee: Seiko Epson Corporation, Tokyo, Japan

[**] Term: 14 Years

[21] Appl. No.: 386,473

[22] Filed: Jul. 28, 1989

[30] Foreign Application Priority Data

Feb. 8, 1989 [JP] Japan 1-004390

[52] U.S. Cl. D18/49

[58] Field of Search D18/1, 12, 13, 22, 36-44; D14/111; 226/74; 271/2.1, 3, 8.1, 9, 10; 355/308, 309; 400/624-629, 636, 636.2, 642, 646, 647, 647.1, 689-694

[56] References Cited

U.S. PATENT DOCUMENTS

D. 262,714 1/1982 Cathey et al. D18/42

D. 277,872 3/1985 Rünzl D18/22 X
D. 287,509 12/1986 Nibley et al. D18/22
D. 304,956 12/1989 Omino et al. D18/22
4,560,156 12/1985 Dubois 271/10 X
4,589,646 5/1986 Ozawa et al. 271/10 X
4,619,388 10/1986 Ono et al. 400/629 X
4,691,911 9/1987 Nakagawa et al. 400/636.2 X
4,747,718 5/1988 Shimizu 400/625
4,898,488 2/1990 Yokoi et al. 400/647 X

Primary Examiner—Wallace R. Burke
Assistant Examiner—Freda S. Nunn
Attorney, Agent, or Firm—Blum Kaplan

[57] CLAIM

The ornamental design for an automatic paper feeder for printer, as shown and described.

DESCRIPTION

FIG. 1 is a front perspective view of an automatic paper feeder for printer showing our new design; FIG. 2 is a top plan view thereof; FIG. 3 is a front elevational view thereof; FIG. 4 is a right side elevational view thereof; FIG. 5 is a left side elevational view thereof; FIG. 6 is a rear elevational view thereof; and FIG. 7 is a bottom plan view thereof.

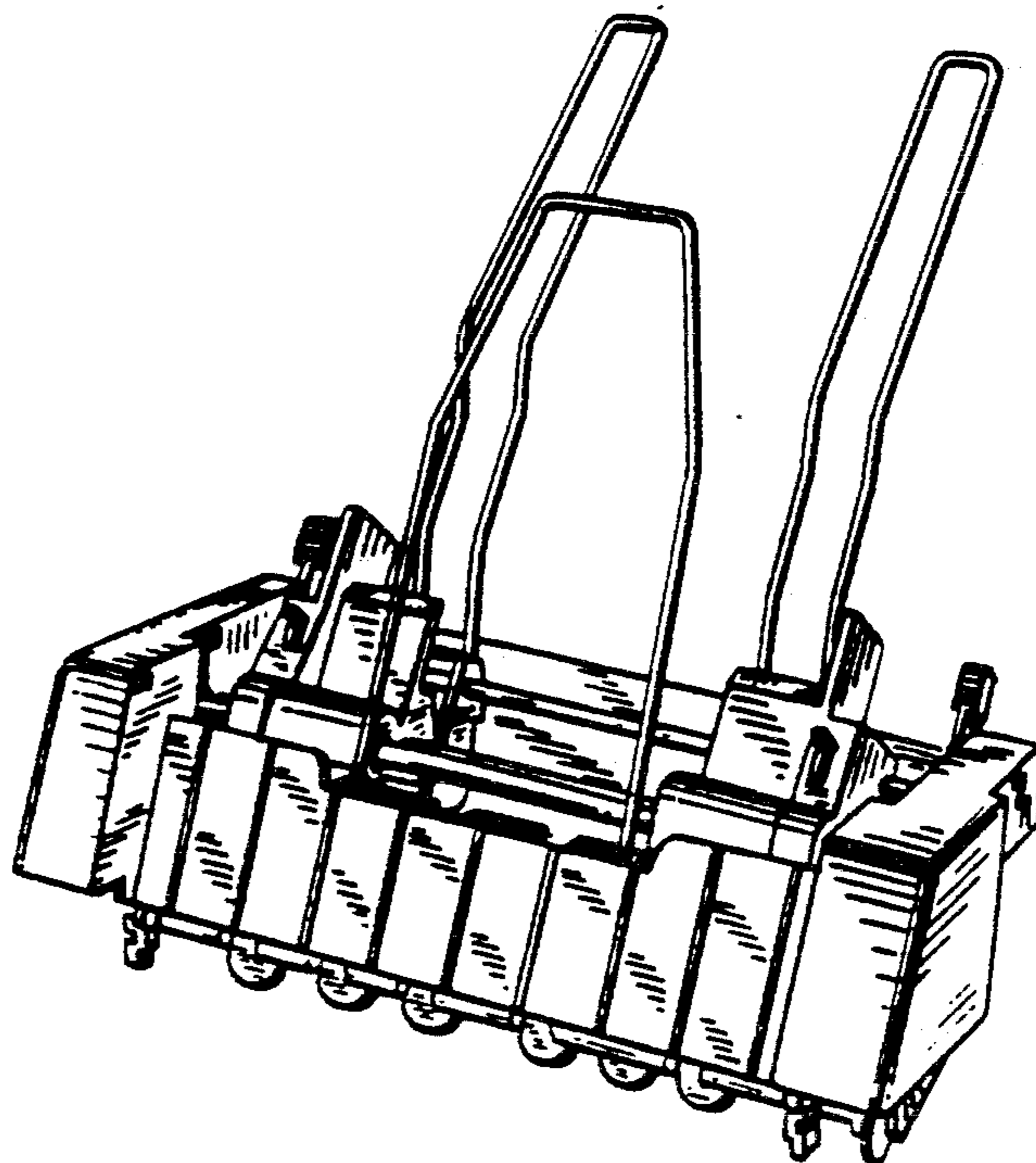


FIG. 1

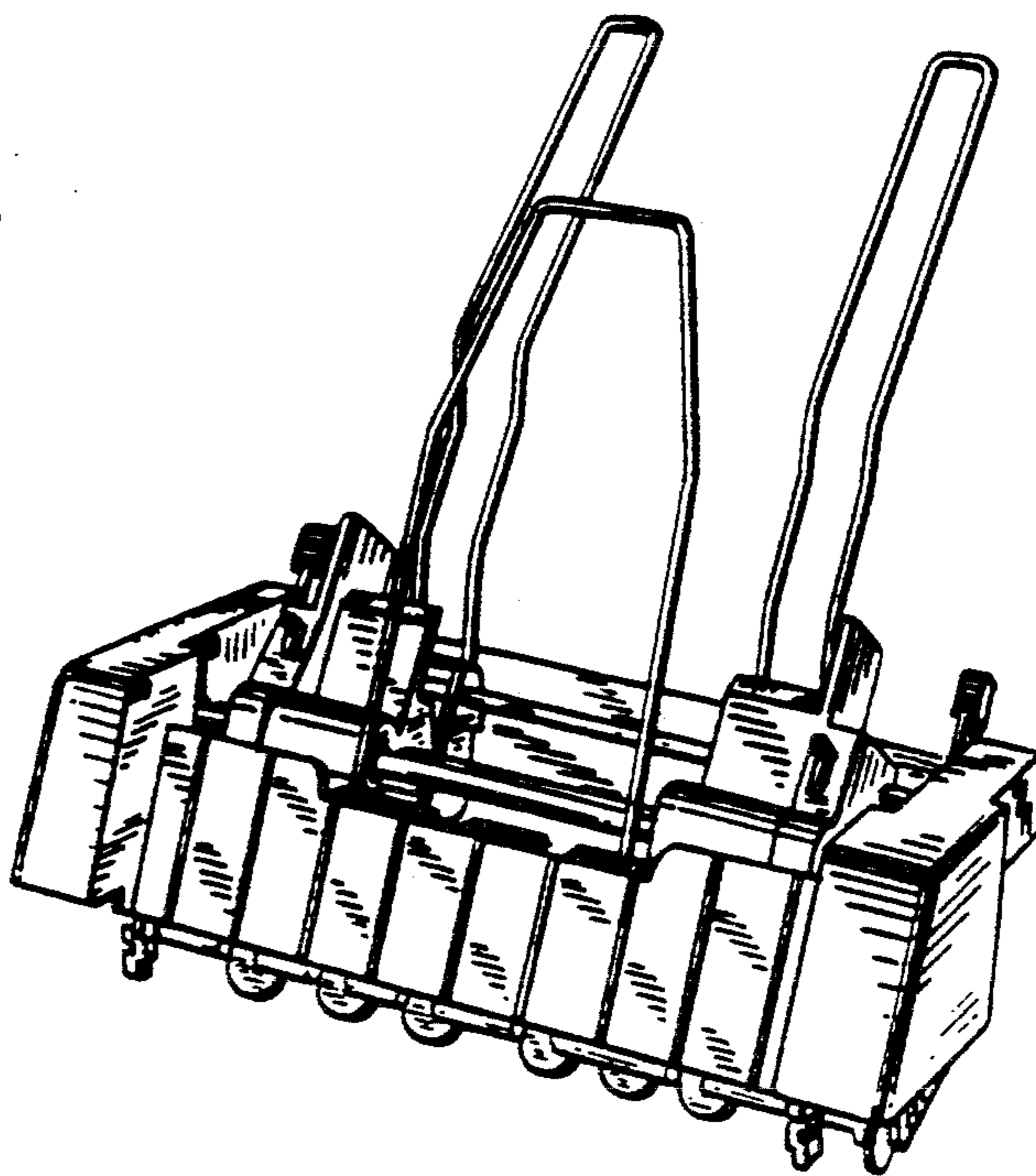
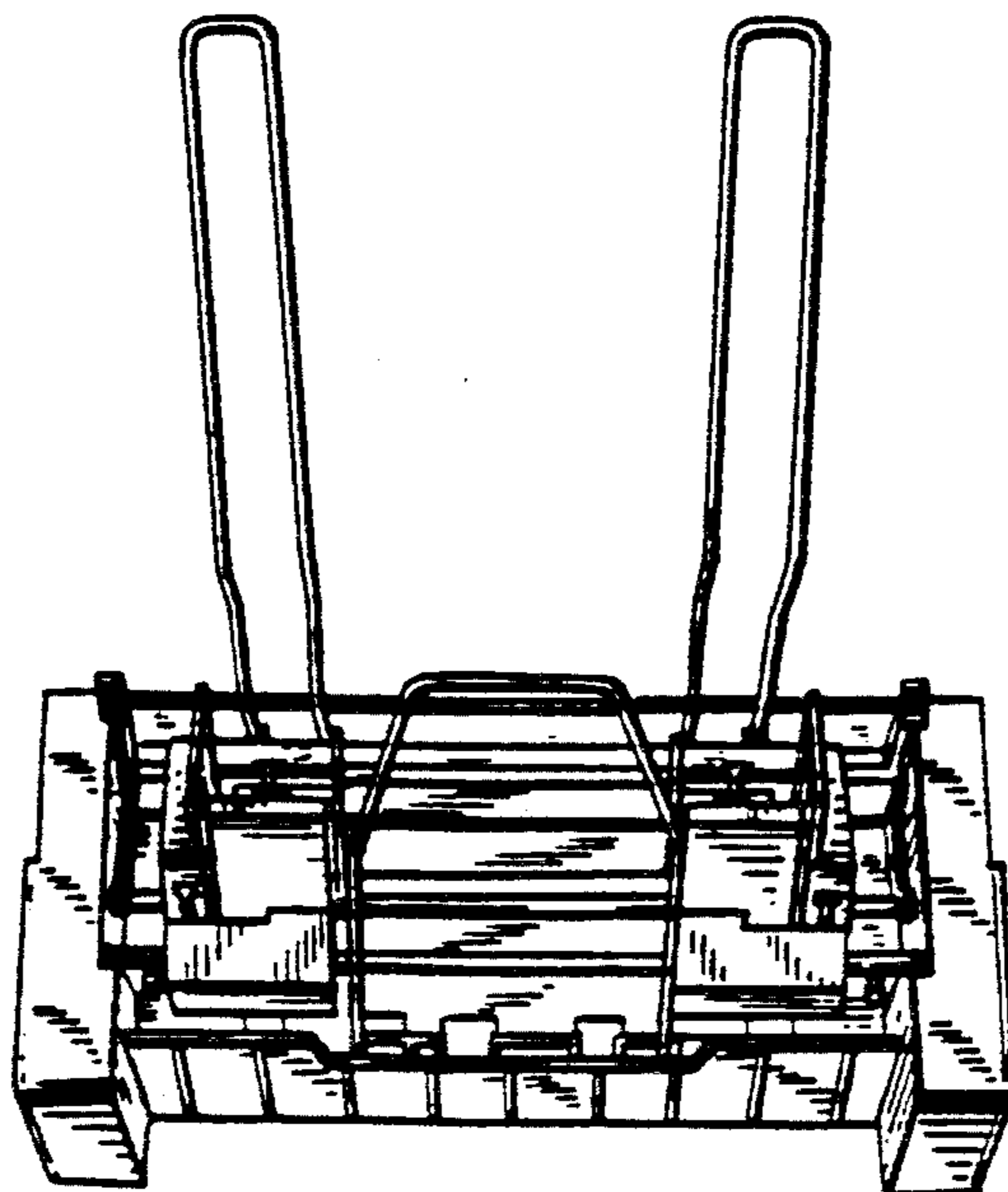


FIG. 2



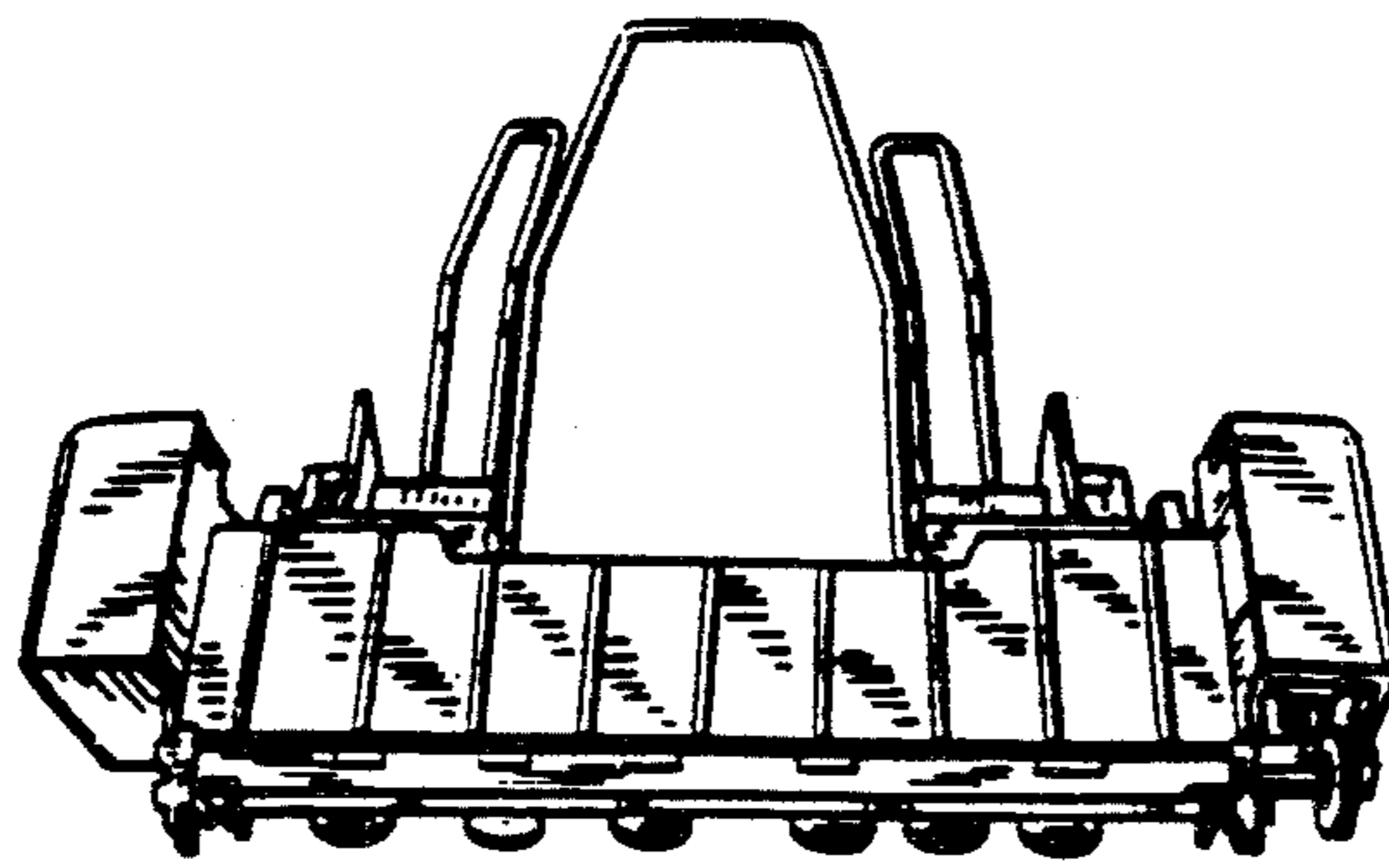


FIG. 3

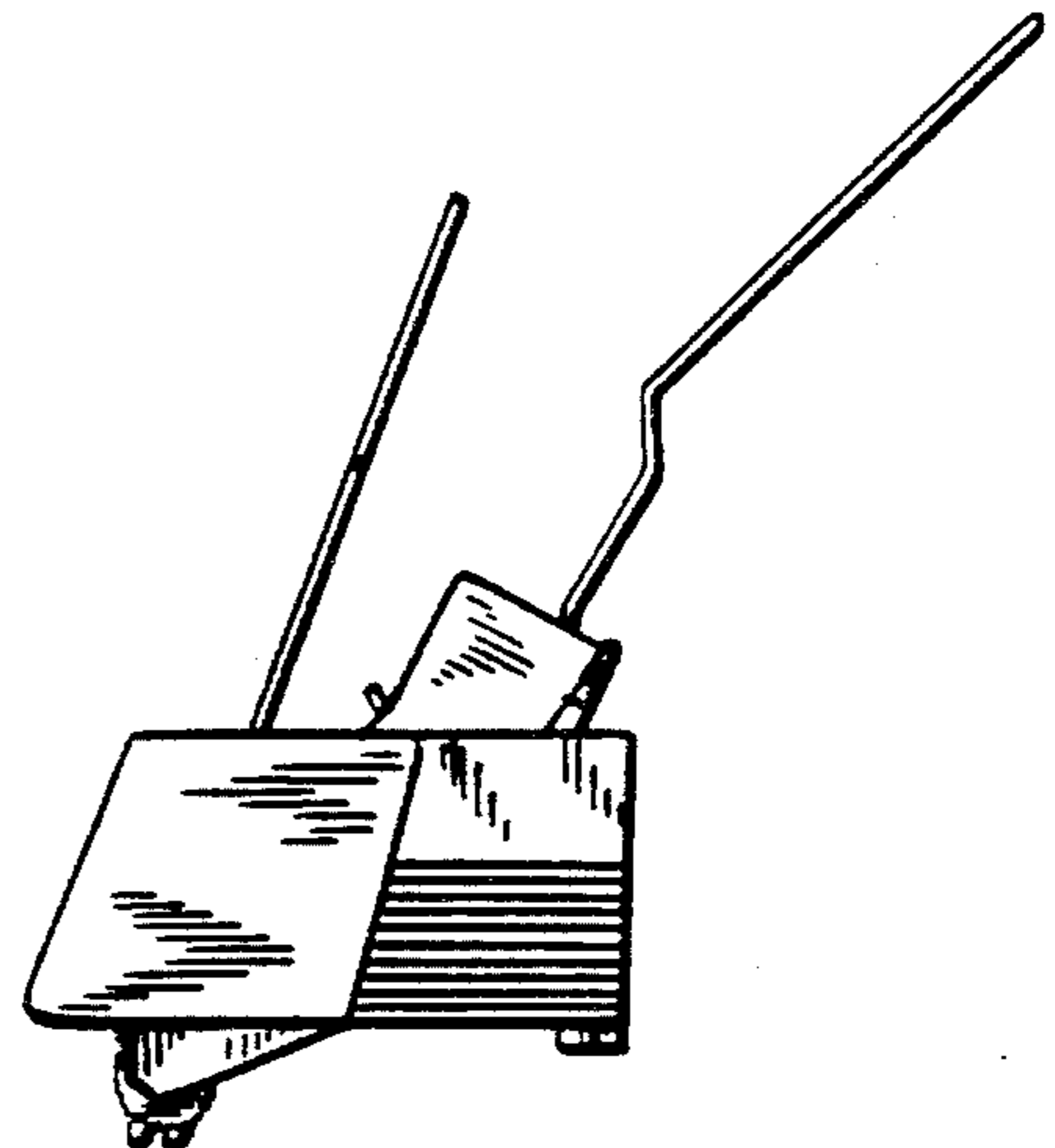


FIG. 4

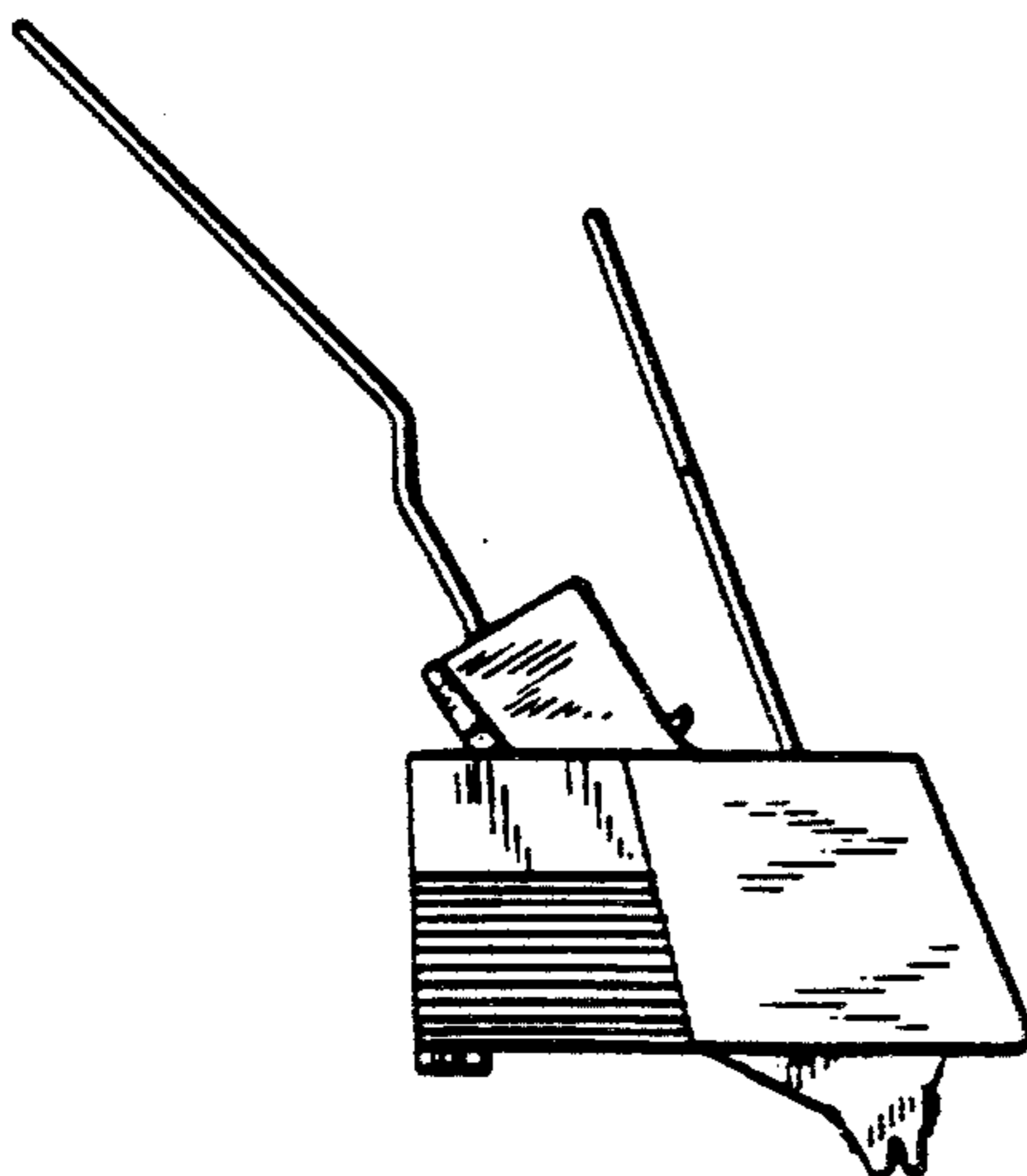


FIG. 5

FIG. 6

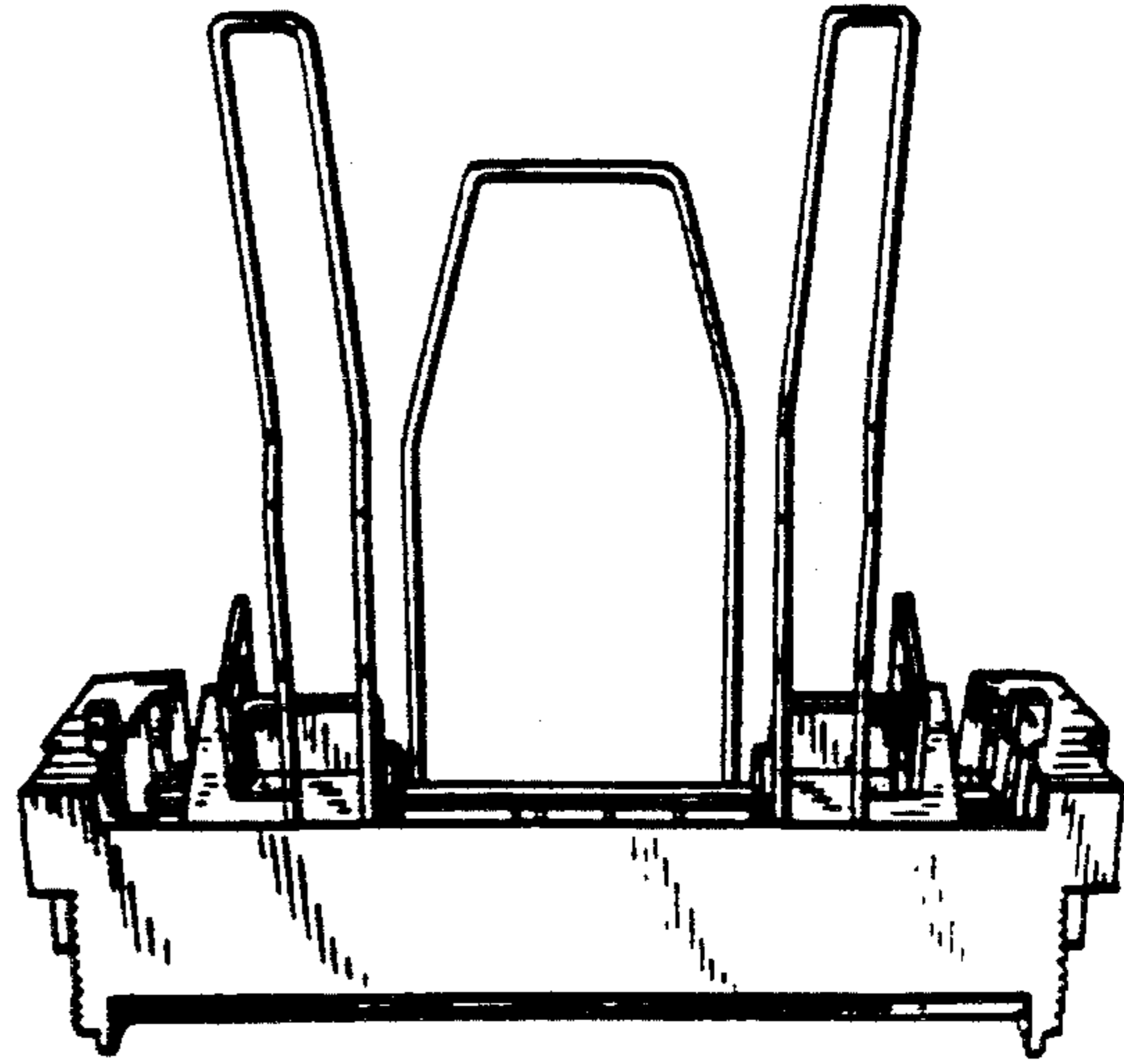


FIG. 7

