

[54] REINKER CARTRIDGE

[75] Inventors: Edward Knox, Newbury Park; Philip N. Smith, Valencia, both of Calif.

[73] Assignee: Dataproducts Corporation, Woodland Hills, Calif.

[**] Term: 14 Years

[21] Appl. No.: 328,566

[22] Filed: Mar. 27, 1989

[52] U.S. Cl. D18/58

[58] Field of Search D18/12, 13, 22, 99; D14/121, 100, 109, 114, 115; 340/700; 346/140 PD, 126; 400/67, 121, 124, 126, 175, 194, 197, 200-202, 202.1-202.3, 248, 679, 690.1, 691-693, 719

[56] References Cited

U.S. PATENT DOCUMENTS

D. 308,540	6/1990	O'Keefe	D18/99
1,304,367	5/1919	Pullen	400/202.3
3,881,588	5/1975	Krulwich	400/202
4,031,853	6/1977	Conrad	400/197

4,304,496	12/1981	Vidwans	400/202
4,465,388	8/1984	Iwasawa	400/202.1
4,577,983	3/1986	Avivam et al.	400/201
4,636,097	1/1987	Goubeaux	400/197
4,701,062	10/1987	Ploeger, Jr.	400/202.1
4,728,969	3/1988	Le et al.	346/140 PD
4,806,032	2/1989	Gragg et al.	400/197

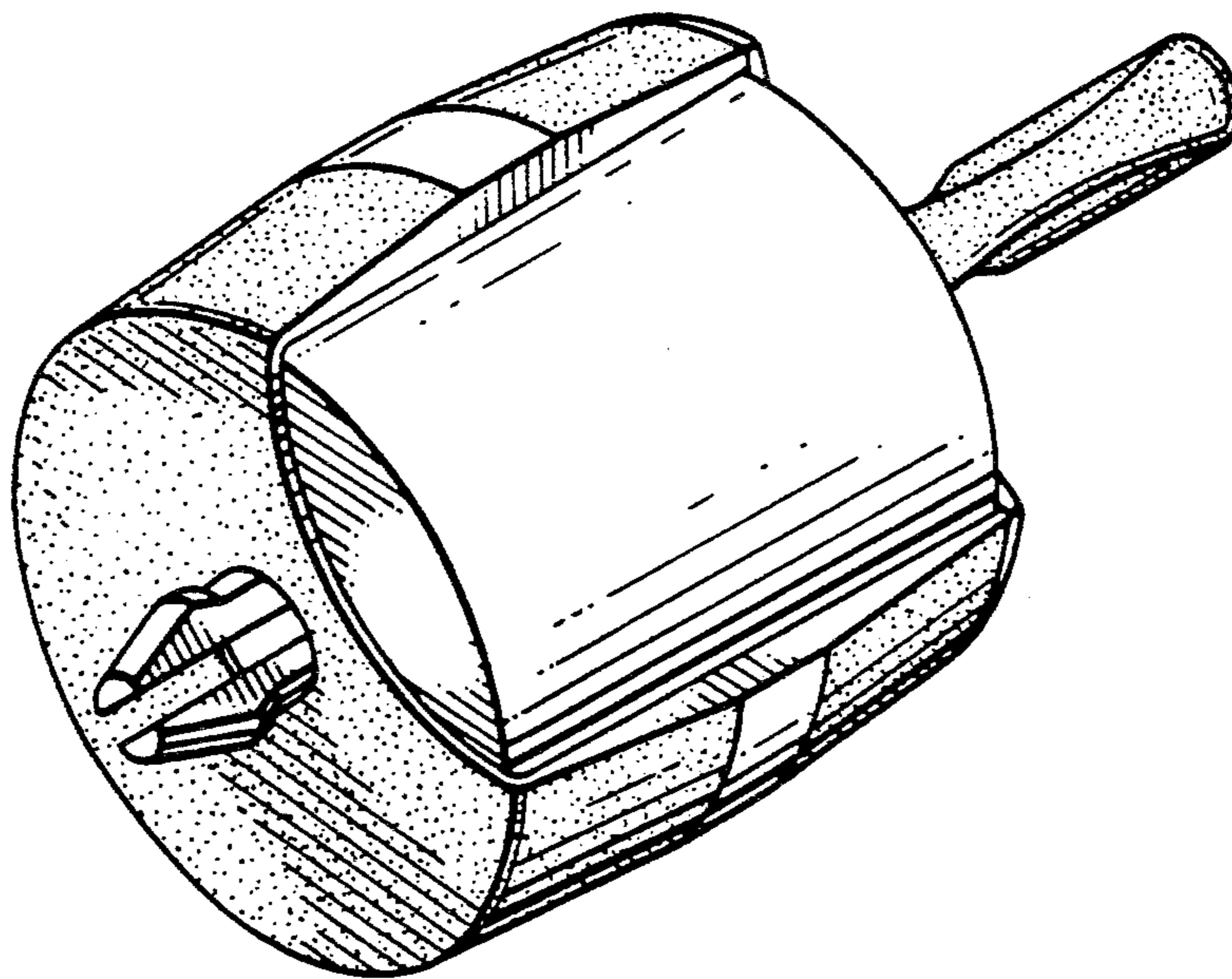
Primary Examiner—A. Hugo Word
Assistant Examiner—CathyAnne MacCormac
Attorney, Agent, or Firm—Spensley Horn Jubas & Lubitz

[57] CLAIM

The ornamental design for a reinker cartridge, as shown and described.

DESCRIPTION

FIG. 1 is a bottom plan view of a reinker cartridge showing our new design;
FIG. 2 is a front perspective view thereof;
FIG. 3 is a top plan view thereof;
FIG. 4 is a rear elevational view thereof; and
FIG. 5 is a side elevational view thereof, the opposite side being a mirror image of the side shown.



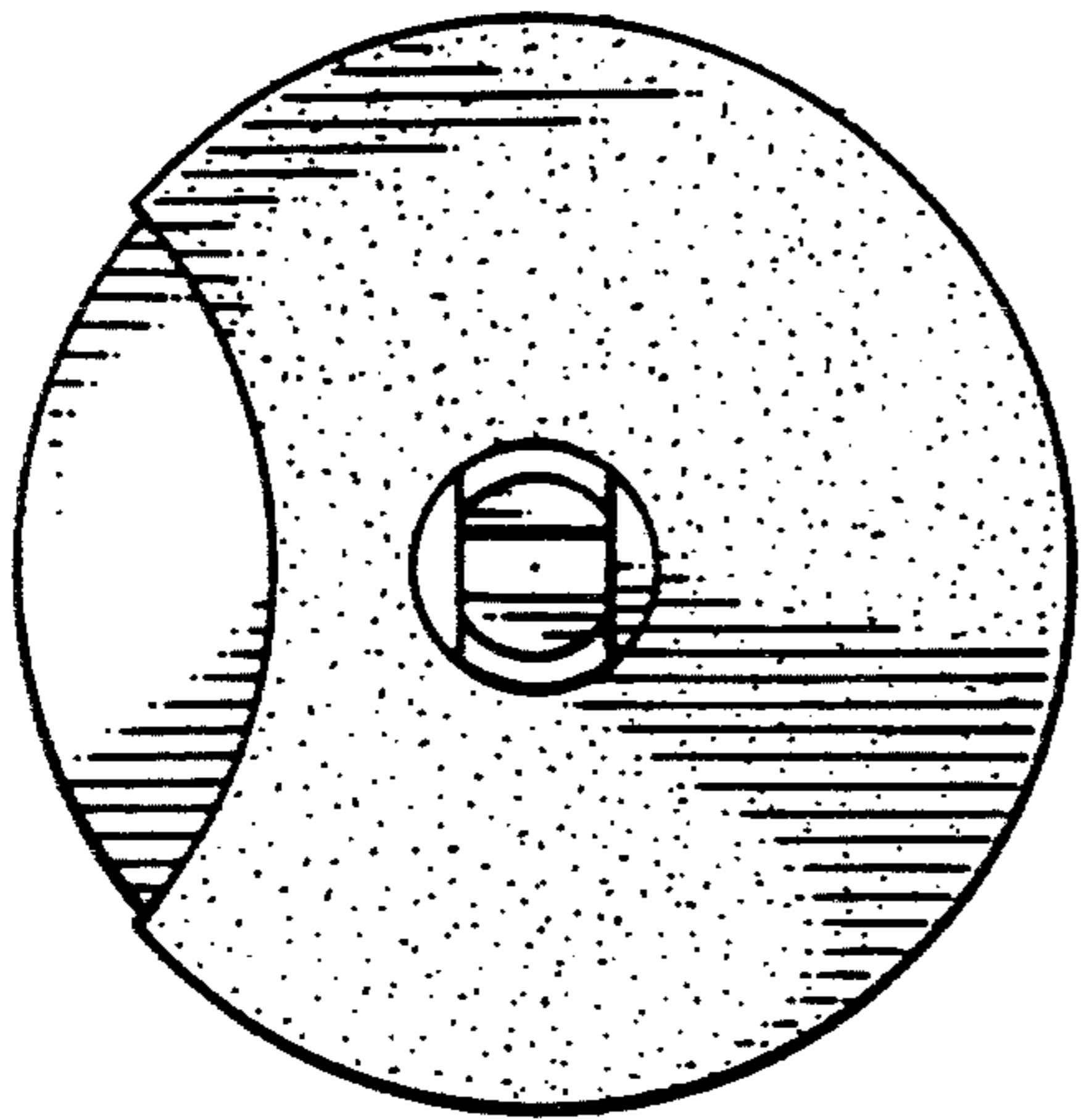


FIG. 1

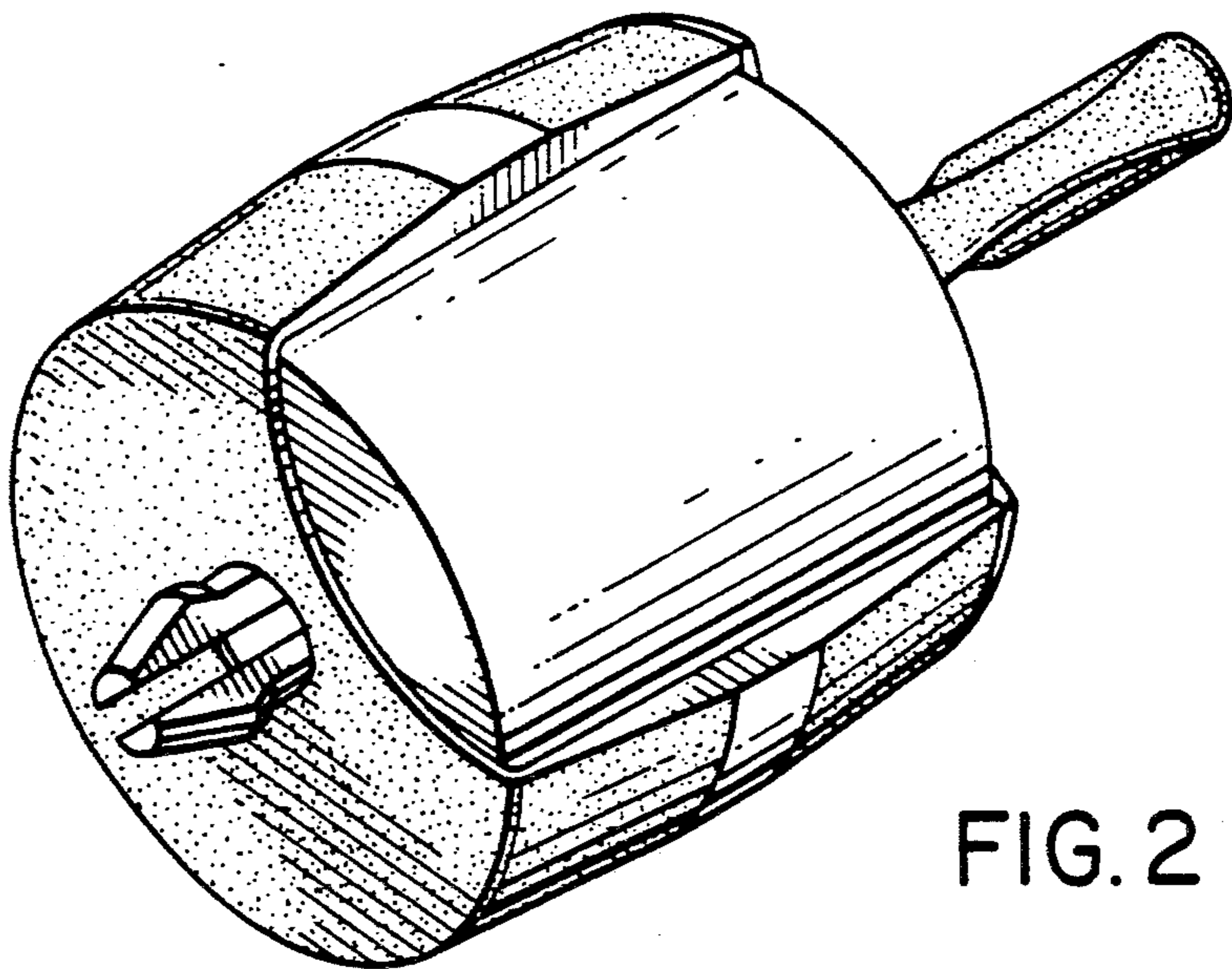


FIG. 2

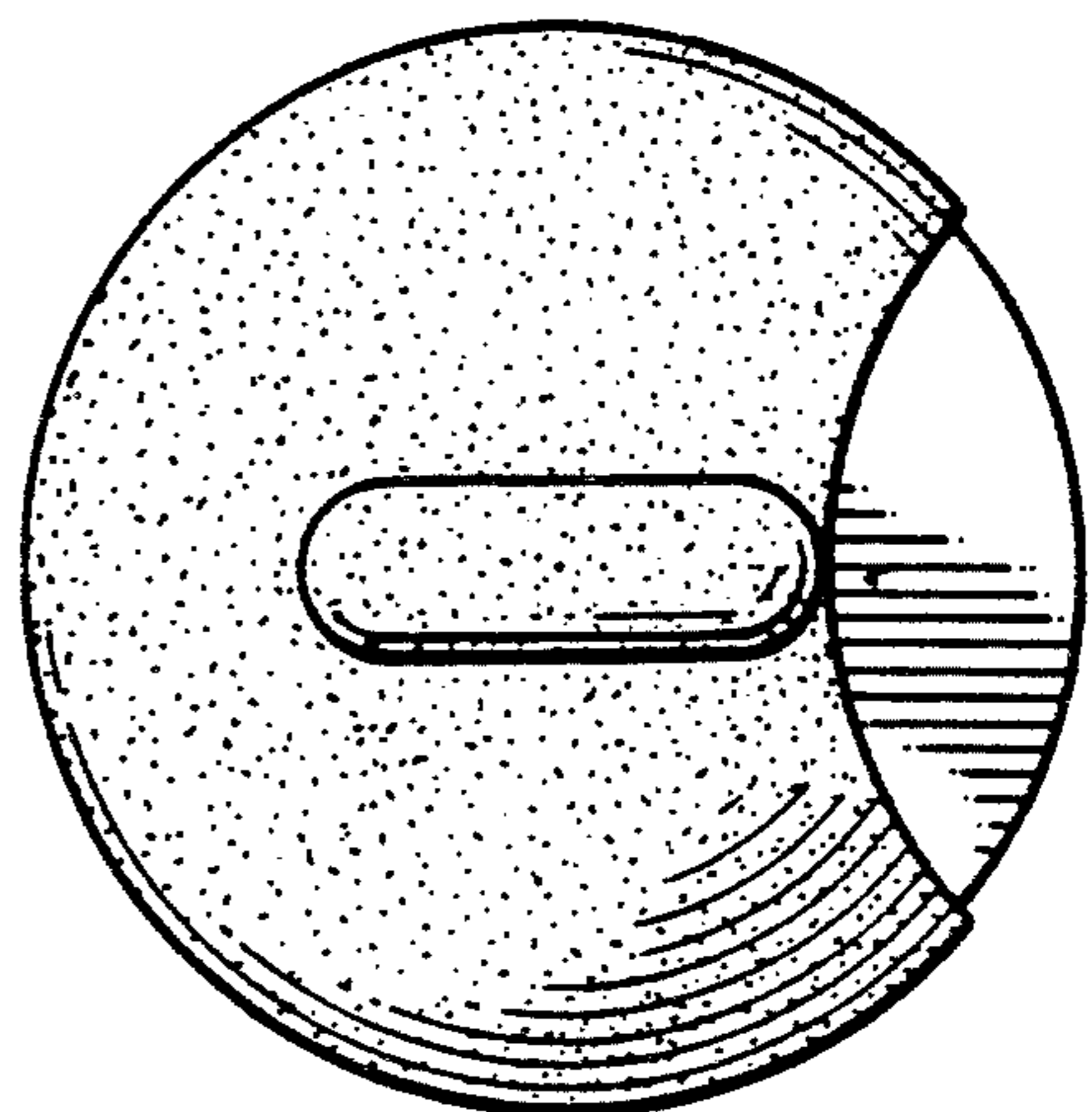


FIG. 3

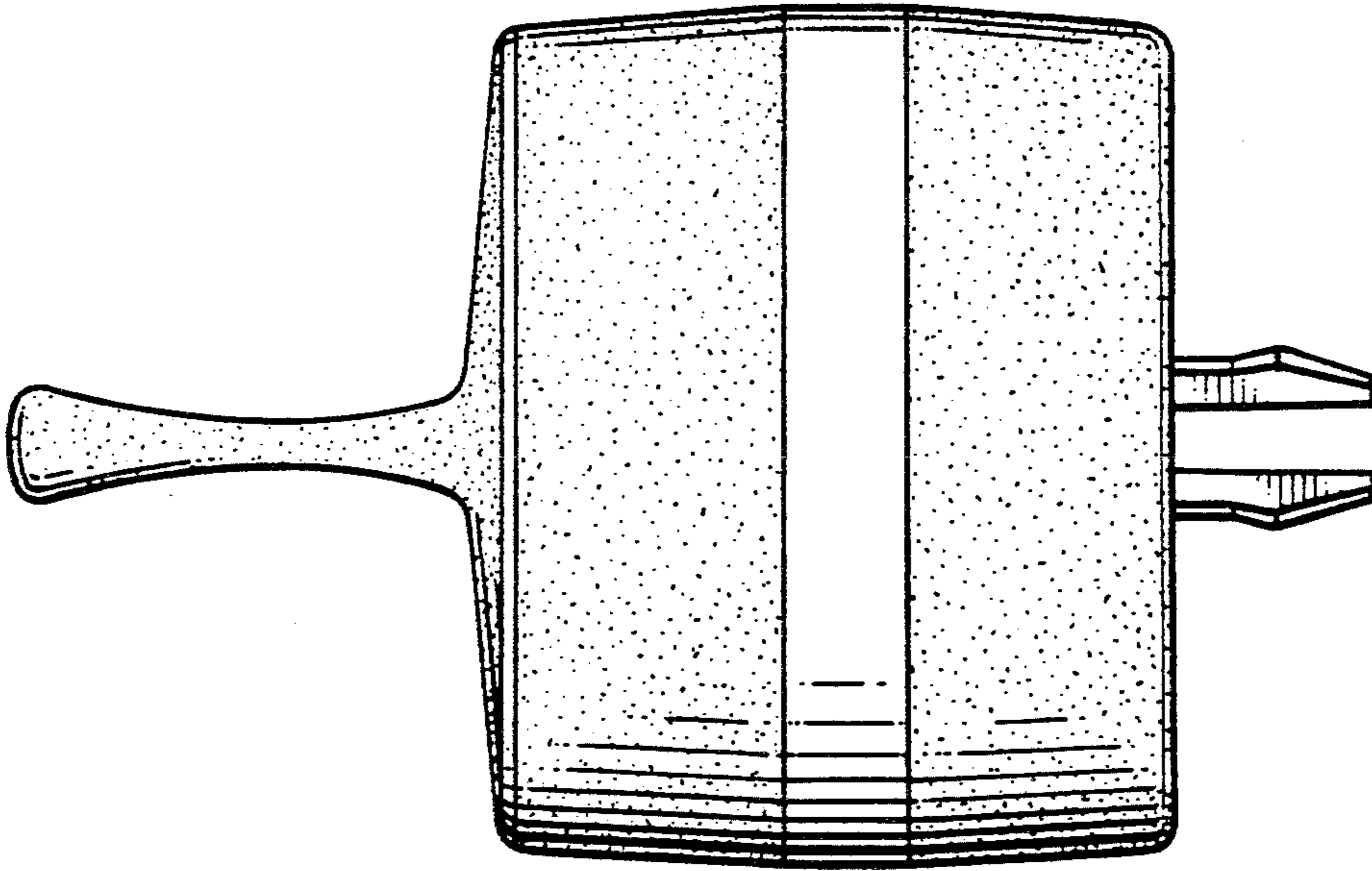


FIG. 4

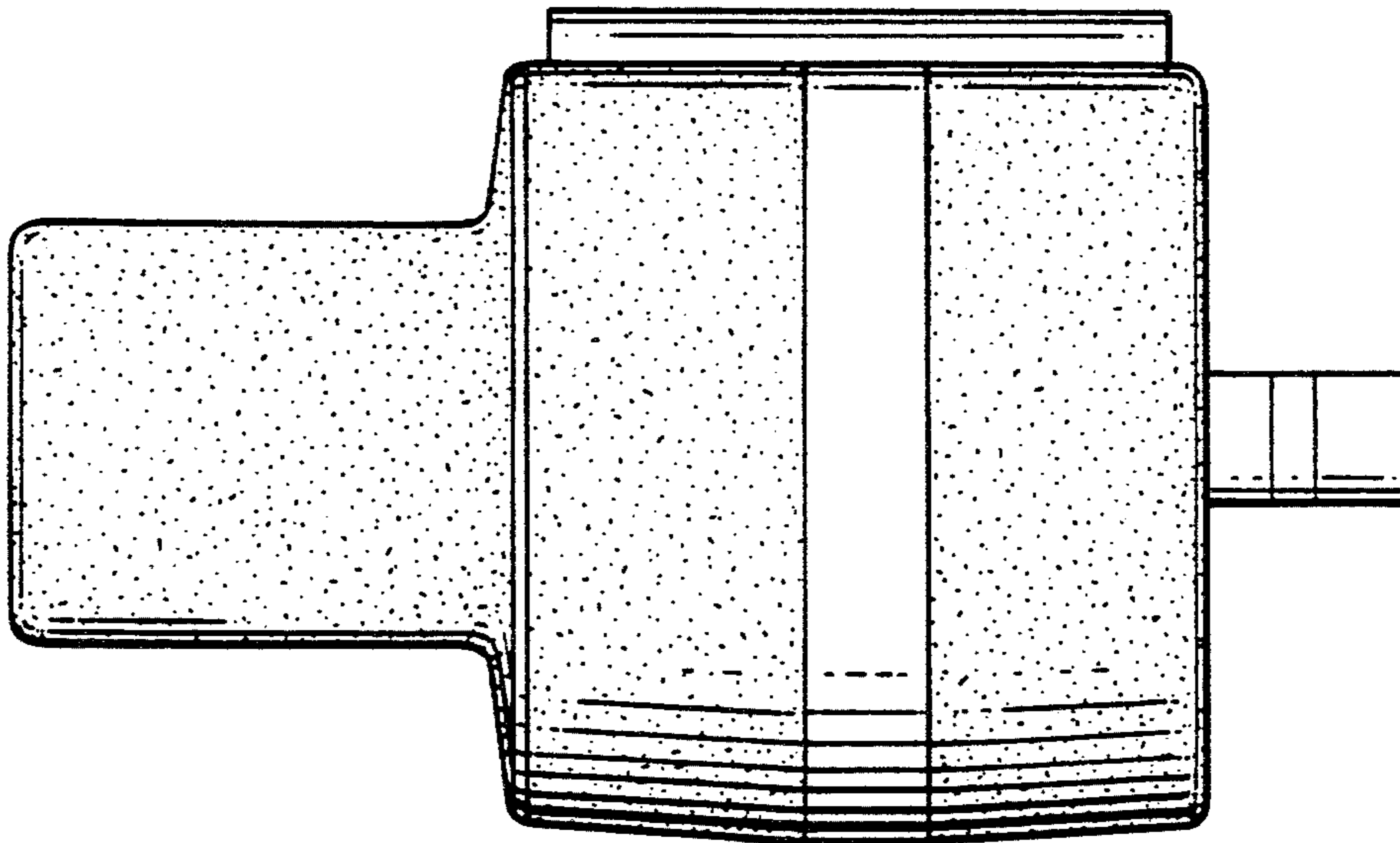


FIG. 5