

[54] PORTABLE PRINTER

[75] Inventors: Kimberly W. Kasee, Spring; Gary W. Pankonien, Houston; Donald S. Goodrich, The Woodlands, all of Tex.

[73] Assignee: Compaq Computer Corporation, Houston, Tex.

[\*\*] Term: 14 Years

[21] Appl. No.: 363,114

[22] Filed: Jun. 8, 1989

[52] U.S. Cl. .... D18/55

[58] Field of Search ... D18/13; 400/613, 613.2-613.4, 400/691-694; 101/420; D14/100, 106

[56] References Cited

U.S. PATENT DOCUMENTS

D. 256,640	11/1986	Miyazaki	.....	D14/111
D. 280,508	9/1985	Nasui et al.	.....	D18/13
D. 299,346	1/1989	Lehman	.....	D14/111
D. 311,908	11/1990	Molyneaux	.....	D14/106
D. 312,621	12/1990	Soren et al.	.....	D14/100
D. 313,795	1/1991	Bina	.....	D14/100
D. 316,549	4/1991	Hampf	.....	D14/100
4,904,100	2/1990	Enix	.....	400/613

OTHER PUBLICATIONS

NEC Spinwriter e.l.f brochure; 2-85; pp. 1 and 2.  
Advertisement for Kodak Diconix 150 plus printer; Jul. 1989 issue of PC Magazine; p. 121.  
Article re Toshiba Express Writer 301 printer; Jul. 1989 issue of PC Magazine; p. 53.

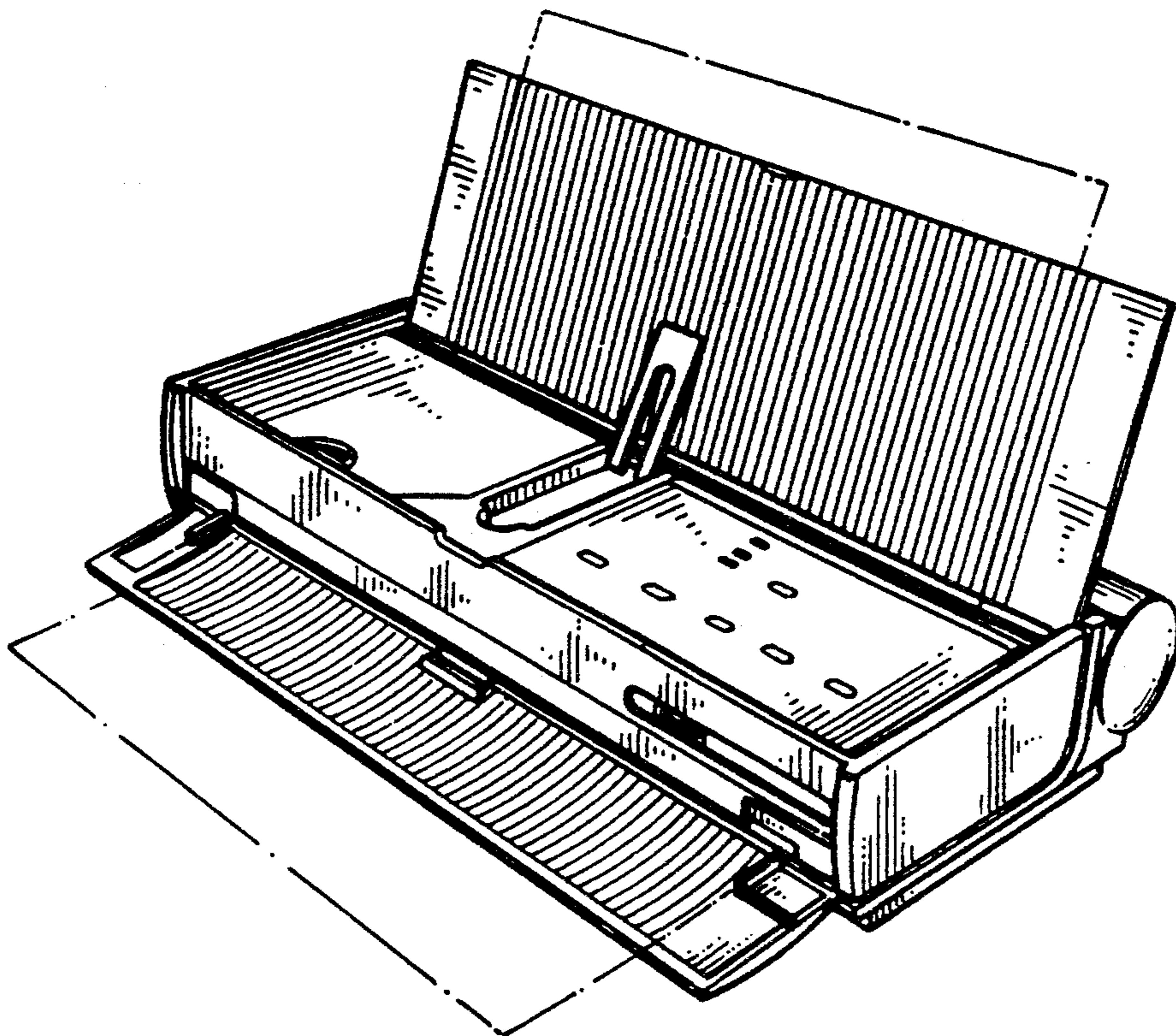
Primary Examiner—A. Hugo Word  
Assistant Examiner—CathyAnne MacCormac  
Attorney, Agent, or Firm—J. David Cabello; Christopher D. Keirs

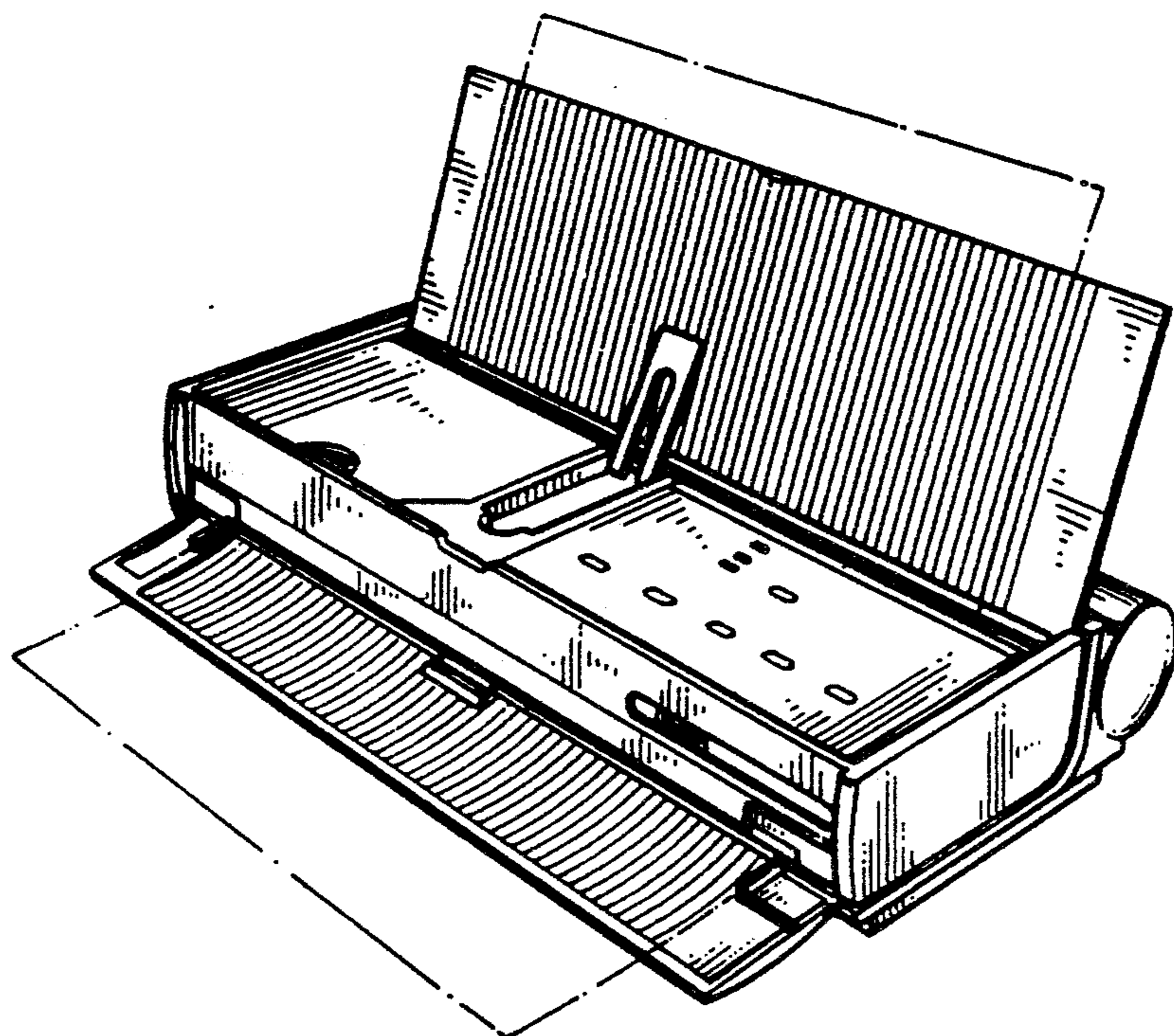
[57] CLAIM

The ornamental design for a portable printer, as shown and described.

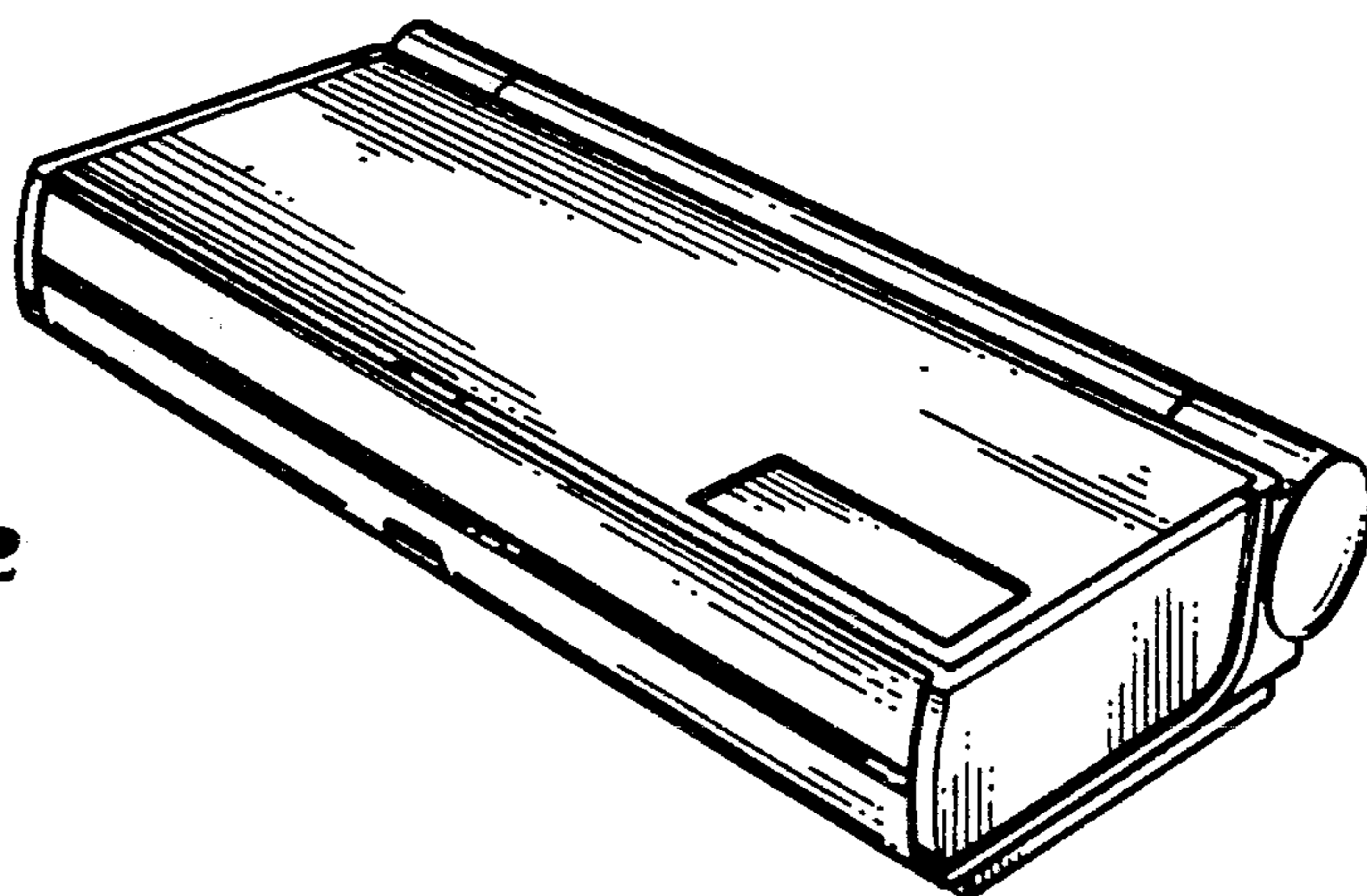
DESCRIPTION

FIG. 1 is a perspective view of a portable printer showing our new design with the top and front covers in the open position;  
FIG. 2 is a perspective view thereof with the top and front covers in the closed position;  
FIG. 3 is a front elevation thereof;  
FIG. 4 is a top plan view thereof;  
FIG. 5 is a left side elevational view thereof;  
FIG. 6 is a right side elevational view thereof;  
FIG. 7 is a bottom plan view thereof; and,  
FIG. 8 is a rear elevational view thereof.  
The broken lines in FIG. 1 are for purposes of illustration only and form no part of the claimed design.

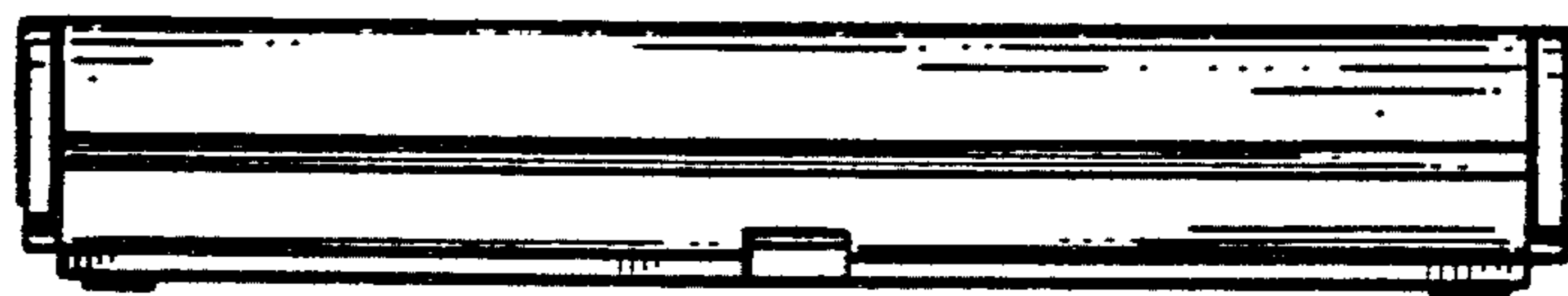




**Fig. 1**

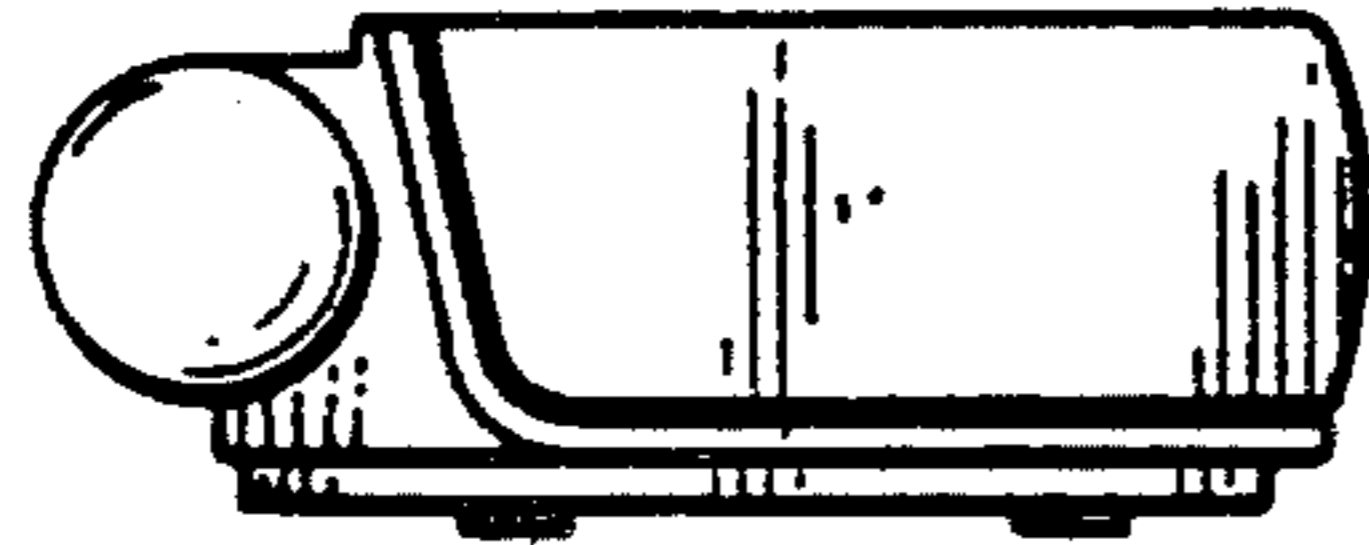
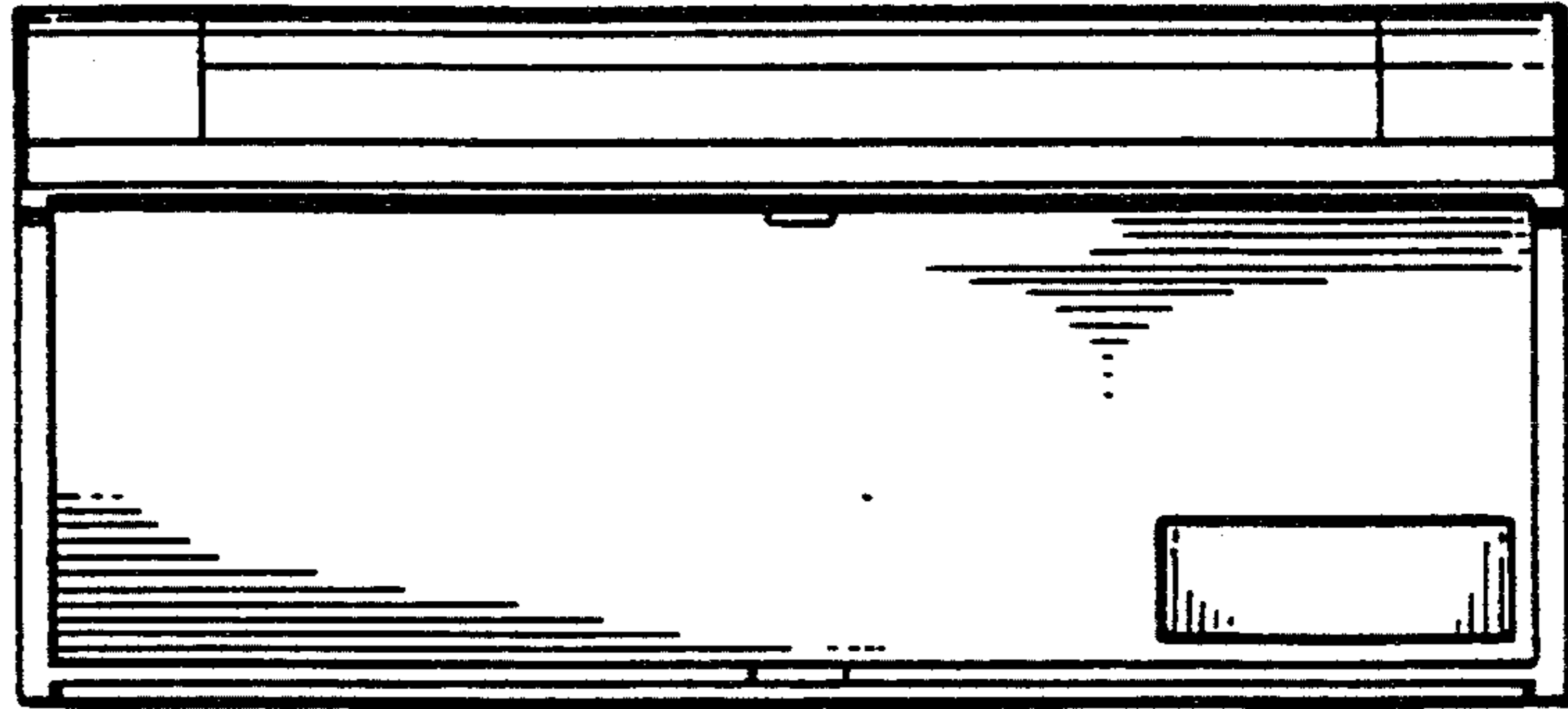


**Fig. 2**



**Fig. 3**

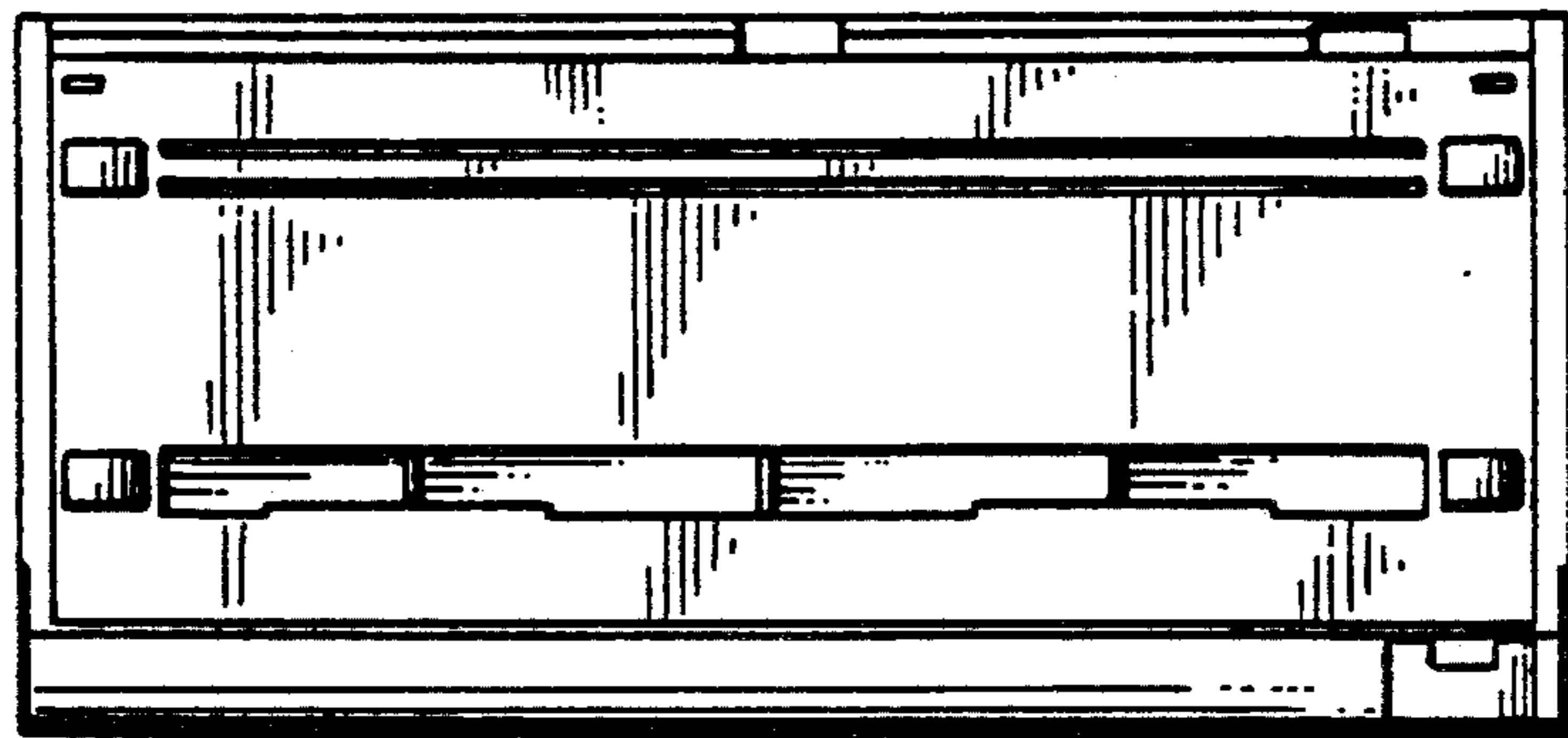
**Fig. 4**



**Fig. 5**



**Fig. 6**



**Fig. 7**

**Fig. 8**

