

**United States Patent** [19]  
**Harris**

[11] **Patent Number: Des. 321,894**  
[45] **Date of Patent: \*\* Nov. 26, 1991**

[54] **PIPE FITTING REAMER**  
[76] **Inventor: Raymond L. Harris, 4971 Date Ave., Sacramento, Calif. 95841**  
[\*\*] **Term: 14 Years**  
[21] **Appl. No.: 306,578**  
[22] **Filed: Feb. 6, 1989**  
[52] **U.S. Cl. .... D15/139**  
[58] **Field of Search ..... D15/139, 138; 7/157; 408/82, 201, 225**

1,621,471 3/1927 Simmons ..... 408/201 X  
3,973,862 8/1976 Segal ..... D15/139 X  
4,297,059 10/1981 Miyanaga ..... 408/225 X  
4,579,486 4/1986 Damico ..... 408/82 X

*Primary Examiner*—Bruce W. Dunkins  
*Assistant Examiner*—Antoine D. Davis  
*Attorney, Agent, or Firm*—Leon Gilden

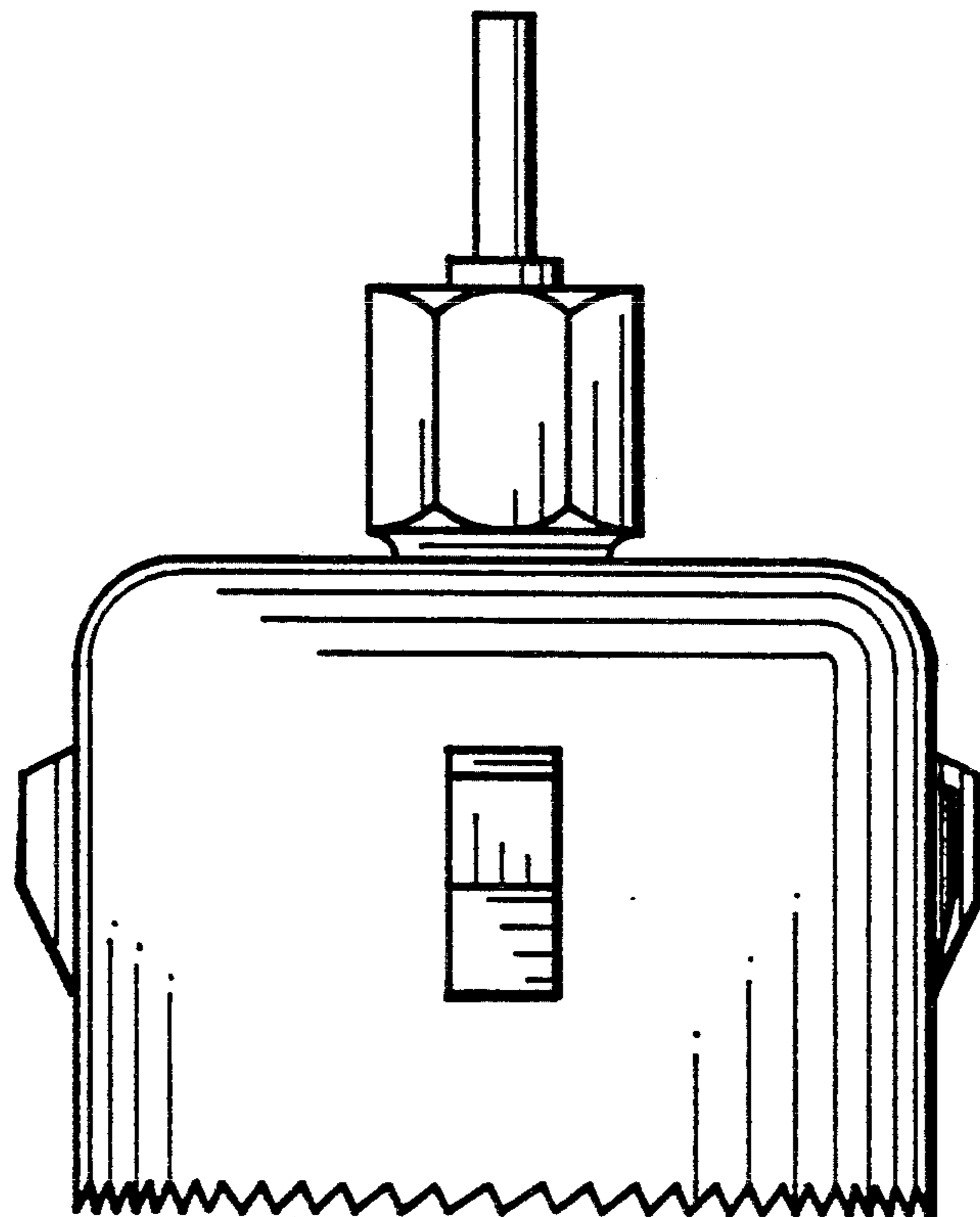
[57] **CLAIM**

The ornamental design for a pipe fitting reamer, as shown and described.

**DESCRIPTION**

FIG. 1 is a typical side elevational view of a pipe fitting reamer showing my new design, with all other sides being identical thereto;  
FIG. 2 is a top plan view; and  
FIG. 3 is a bottom plan view thereof.

[56] **References Cited**  
**U.S. PATENT DOCUMENTS**  
D. 282,369 1/1986 de Villiers ..... D15/139  
1,332,898 3/1920 Hossic et al. .... 408/82



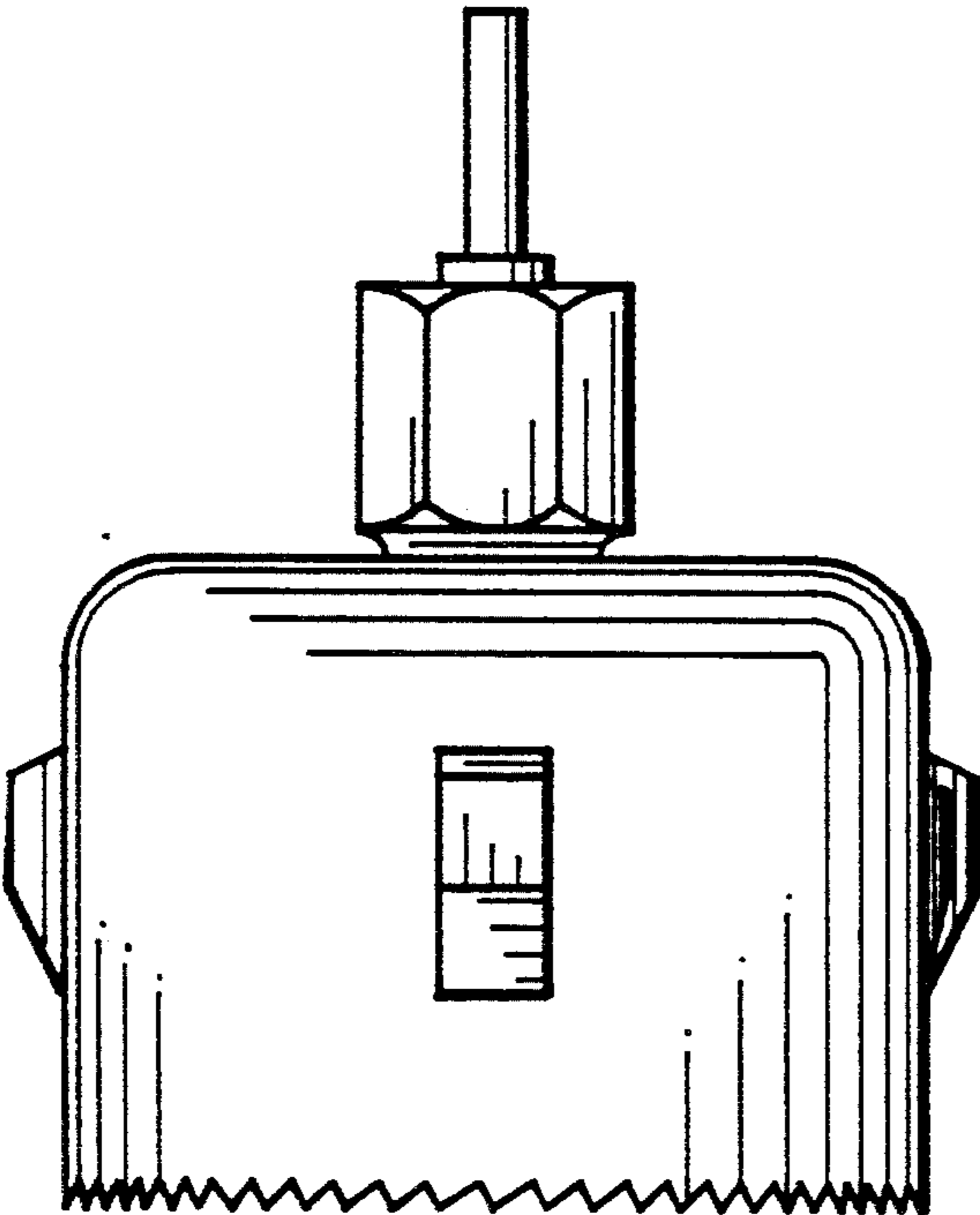


Fig. 1

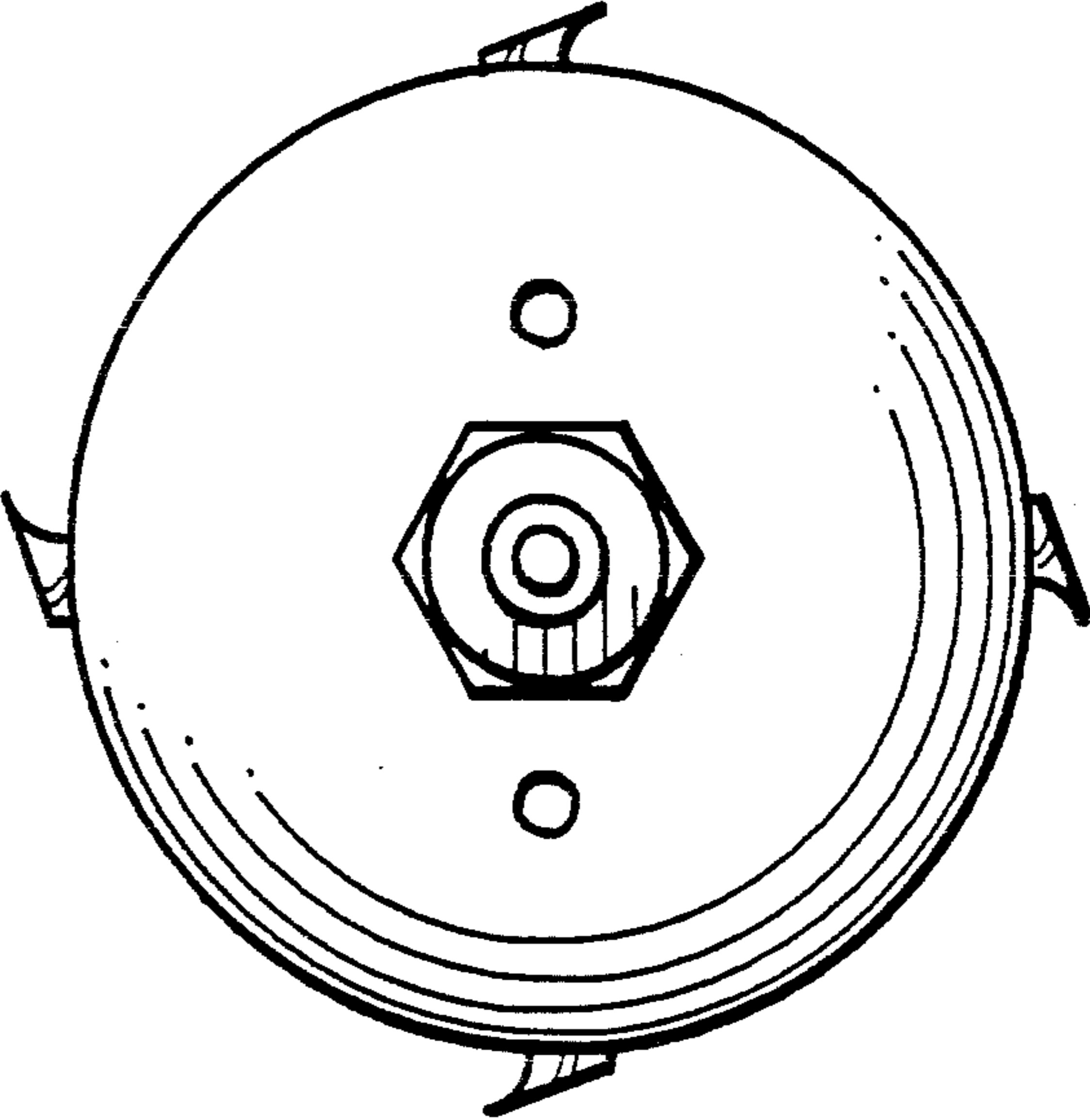


Fig. 2

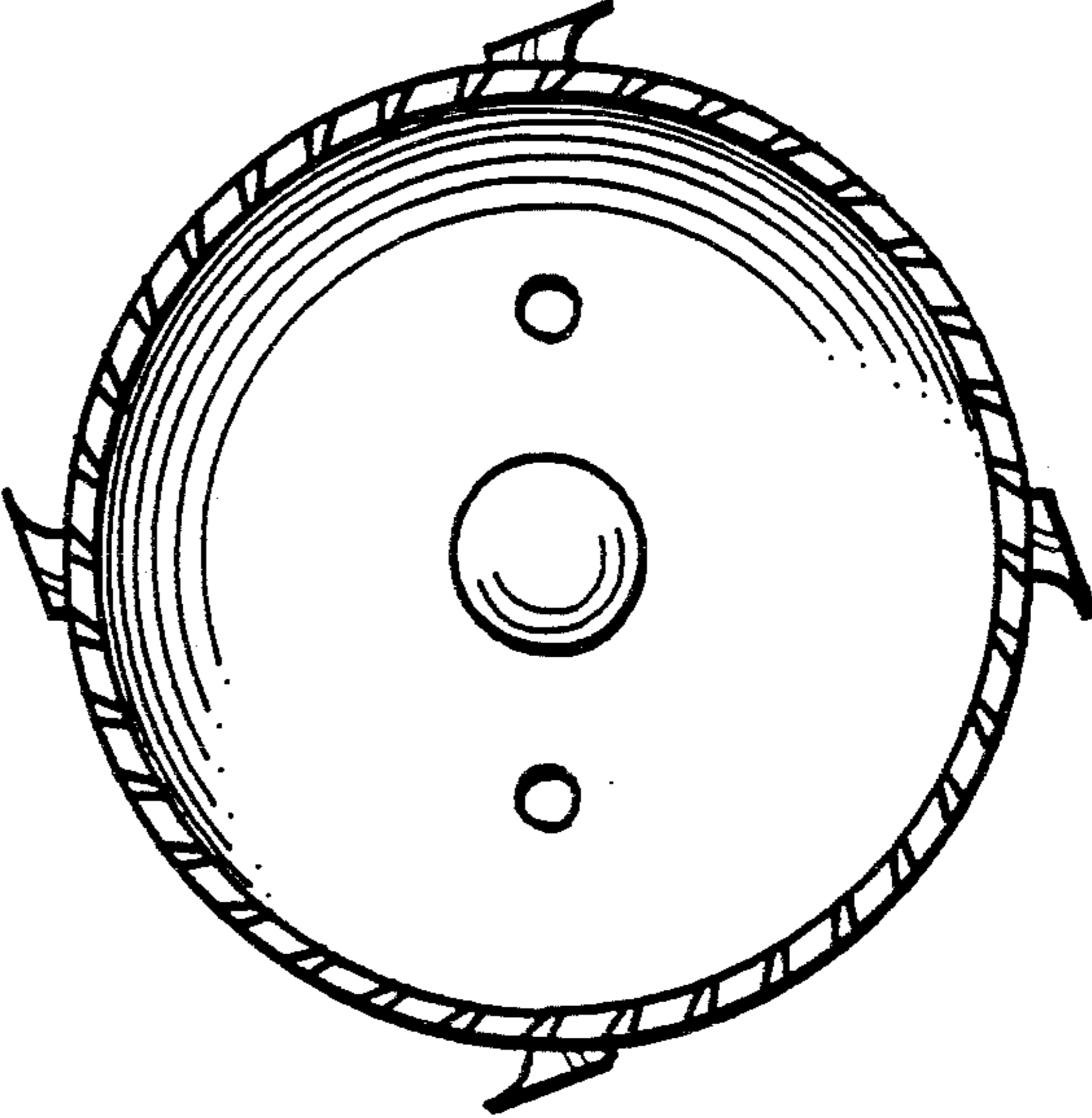


Fig. 3