

[54] GRASS COLLECTING CART FOR A RIDING LAWN MOWER

[75] Inventors: Stephen R. Burns, Duluth; Timothy J. Boesch, Roswell; Matthew D. Rao, Alpharetta; Stuart A. Cook, Norcross, all of Ga.; Jack M. Curtis, Santa Fe; Jack M. Boone, Brentwood, both of Tenn.

[73] Assignee: The Murray Ohio Manufacturing Company, Brentwood, Tenn.

[**] Term: 14 Years

[21] Appl. No.: 307,595

[22] Filed: Feb. 8, 1989

[52] U.S. Cl. D15/17

[58] Field of Search D15/14-16, D15/22, 23, 26; 56/134, 16.7, 202, 320.1, 320.2; 180/89.1, 89.2, 900

[56] References Cited

U.S. PATENT DOCUMENTS

- D. 293,683 1/1988 Mizushima et al. D15/15
- D. 312,260 11/1990 Uemura D15/23

- 4,054,023 10/1977 Carpenter 56/202
- 4,158,279 6/1979 Jackson 56/202
- 4,711,073 12/1987 Freier, Jr. et al. 56/202

OTHER PUBLICATIONS

Country Living, Apr. 1987, p. 71, Snapper Lawn Tractor, upper right.

Simplicity Lawn Care, 1984, cover, tractor bottom right.

Primary Examiner—Bernard Ansher

Assistant Examiner—Sandra Morris

Attorney, Agent, or Firm—Cushman, Darby & Cushman

[57] CLAIM

The ornamental design for a grass collecting cart for a riding lawn mower, as shown and described.

DESCRIPTION

FIG. 1 is a front left perspective view of a grass collecting cart for a riding lawn mower, showing our new design;

FIG. 2 is an enlarged rear perspective view thereof;

FIG. 3 is a front right perspective view thereof;

FIG. 4 is a further enlarged left side elevational view thereof.

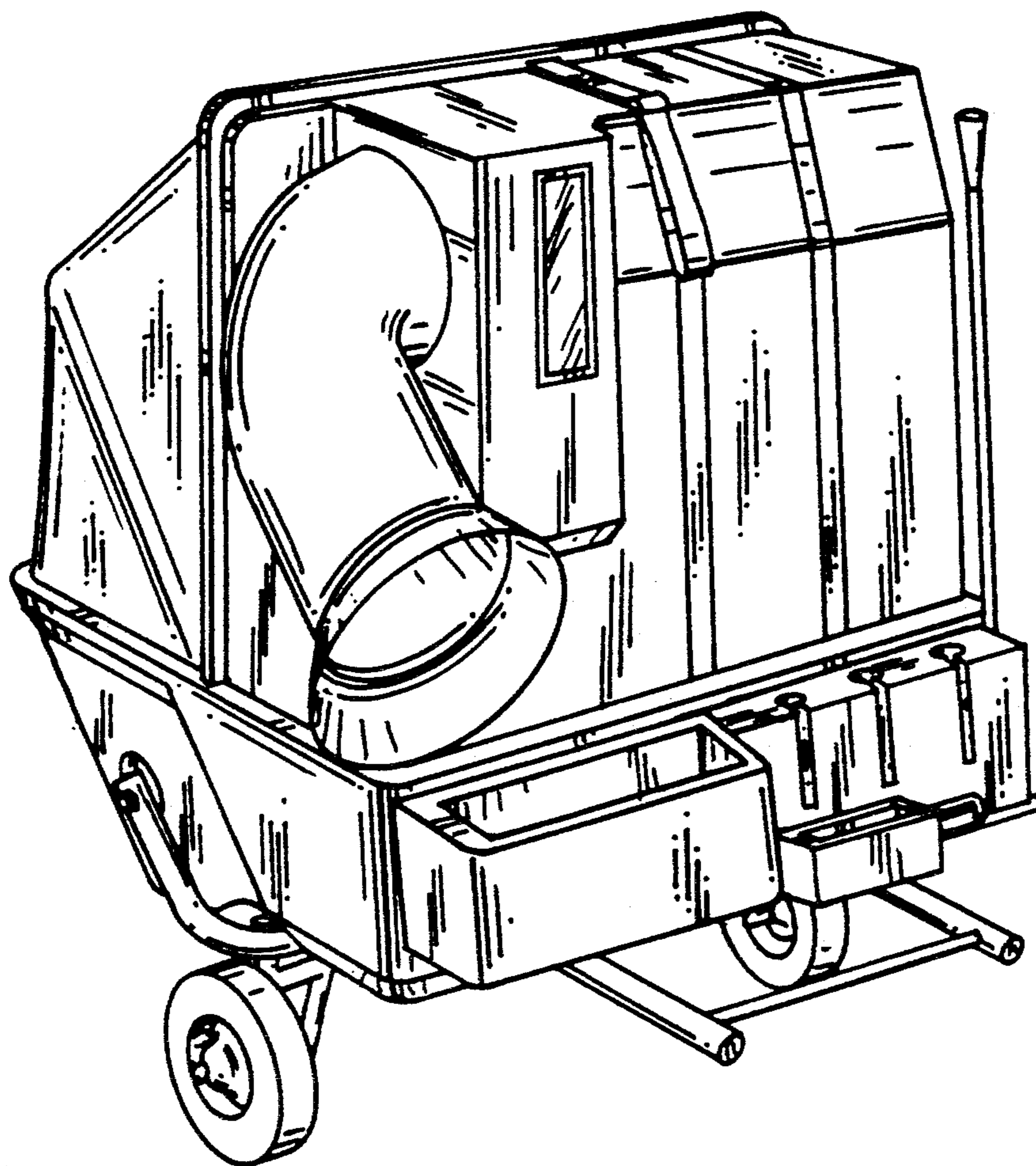


FIG. 1

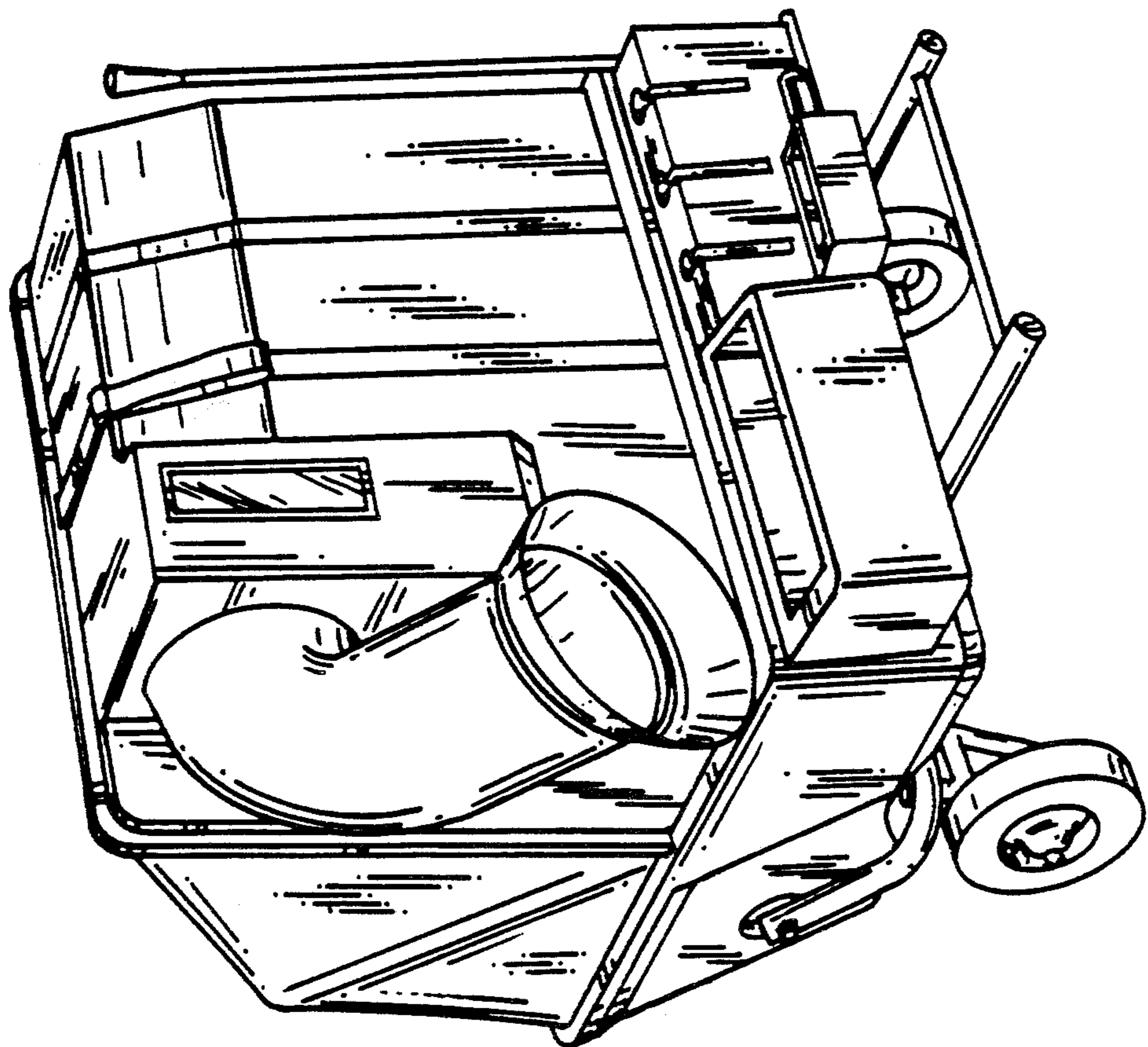


FIG. 2

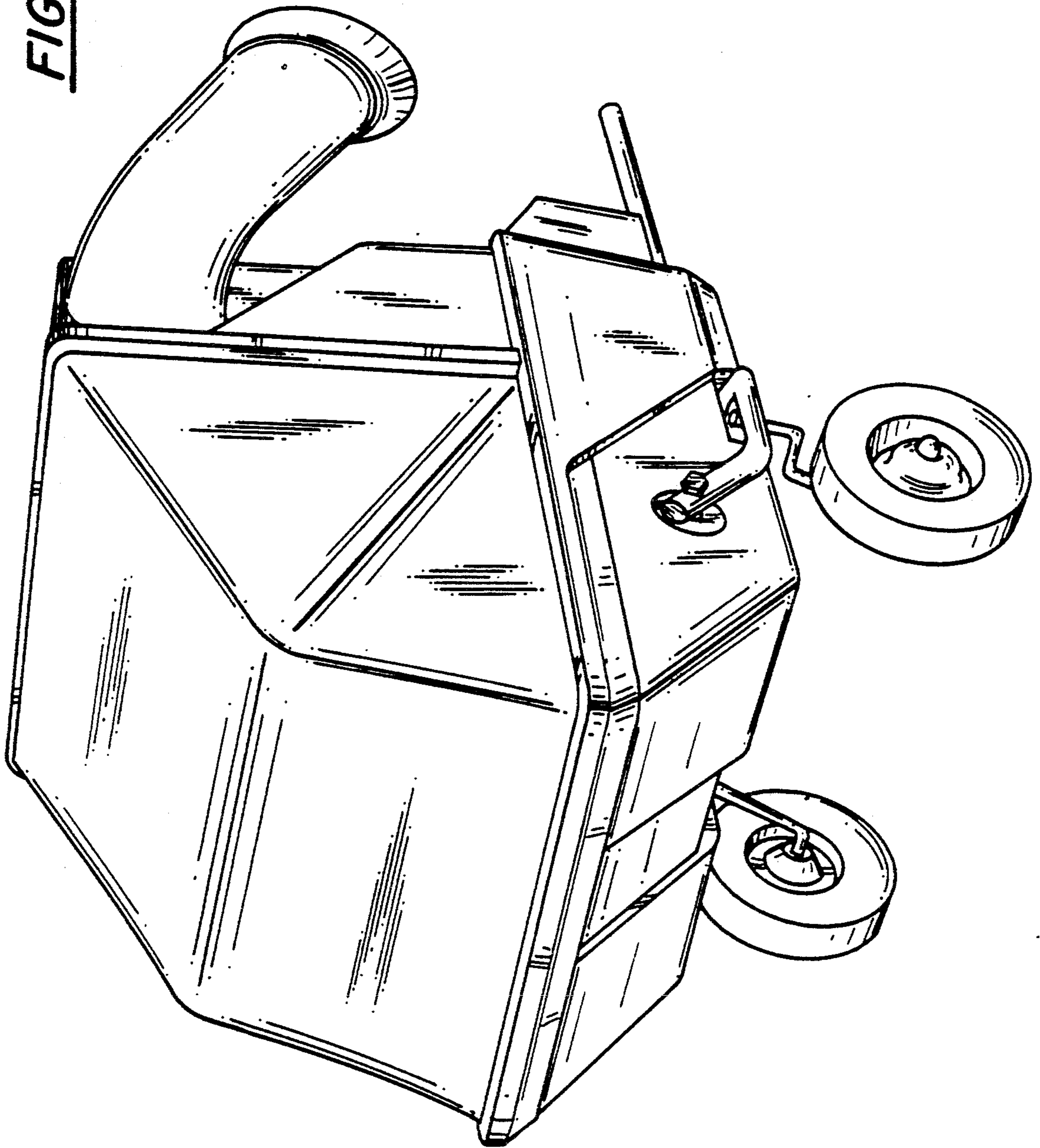


FIG. 3

