

[54] **INTAKE MANIFOLD**

[75] **Inventor: J. V. Brotherton, Mena, Ark.**

[73] **Assignee: Brodix, Inc., Mena, Ark.**

[**] **Term: 14 Years**

[21] **Appl. No.: 417,851**

[22] **Filed: Oct. 6, 1989**

[52] **U.S. Cl. D15/5**

[58] **Field of Search D15/5; 123/52 M, 41.27,
123/41.73, 41.1**

[56] **References Cited**

U.S. PATENT DOCUMENTS

D. 265,736 8/1982 Pappas D15/5
D. 267,952 2/1983 Martin D15/5

OTHER PUBLICATIONS

J. C. Whitney Catalog, p. 188, Item top of page.

Primary Examiner—A. Hugo Word

Assistant Examiner—R. Seifert

Attorney, Agent, or Firm—Robert R. Keegan

[57] **CLAIM**

The ornamental design for an intake manifold, as shown and described.

DESCRIPTION

FIG. 1 is a perspective of an intake manifold showing my new design;

FIG. 2 is a right side elevational view thereof,

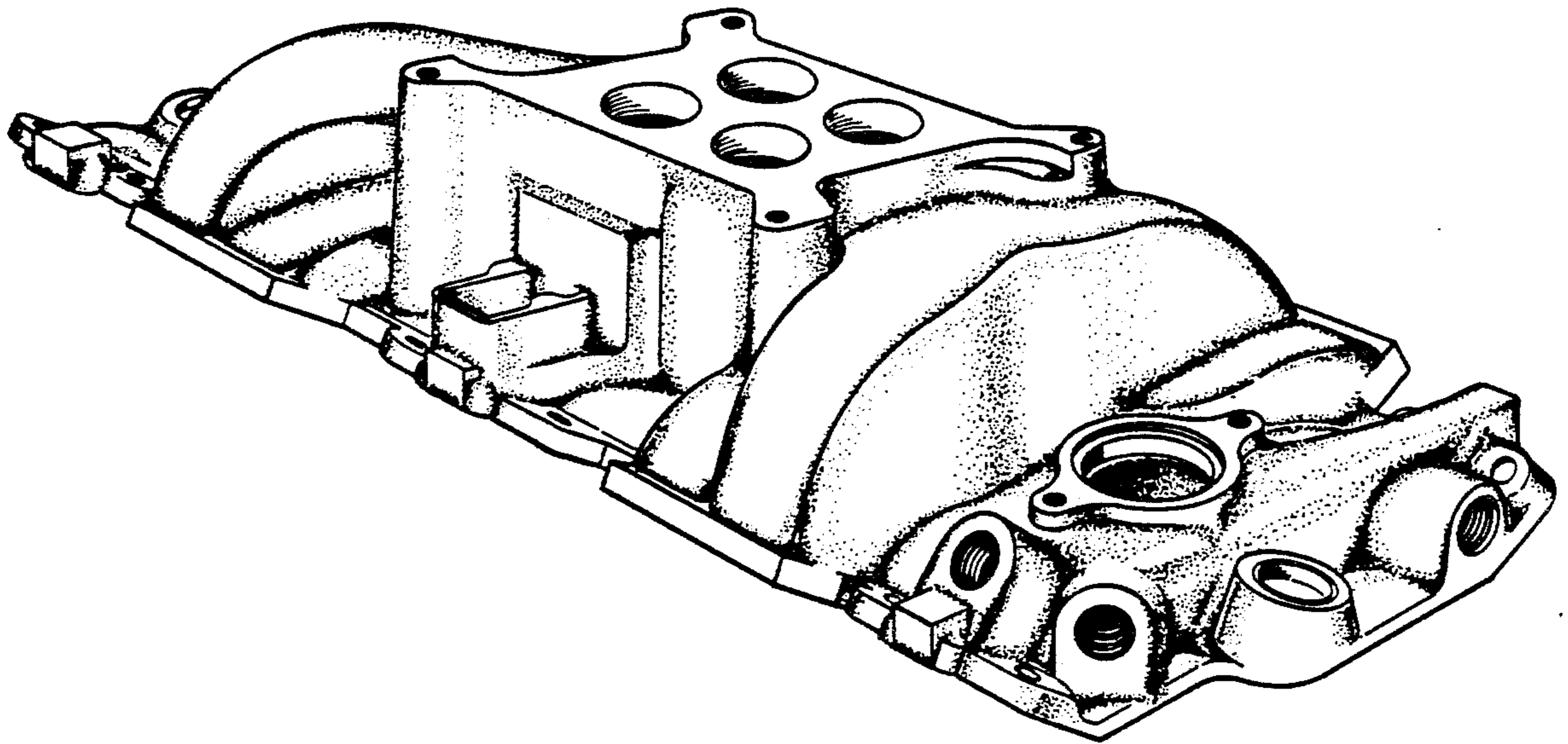
FIG. 3 is a left side elevational view thereof,

FIG. 4 is a front elevational view thereof,

FIG. 5 is a rear elevational view thereof,

FIG. 6 is a top plan view thereof, and

FIG. 7 is a bottom plan view thereof.



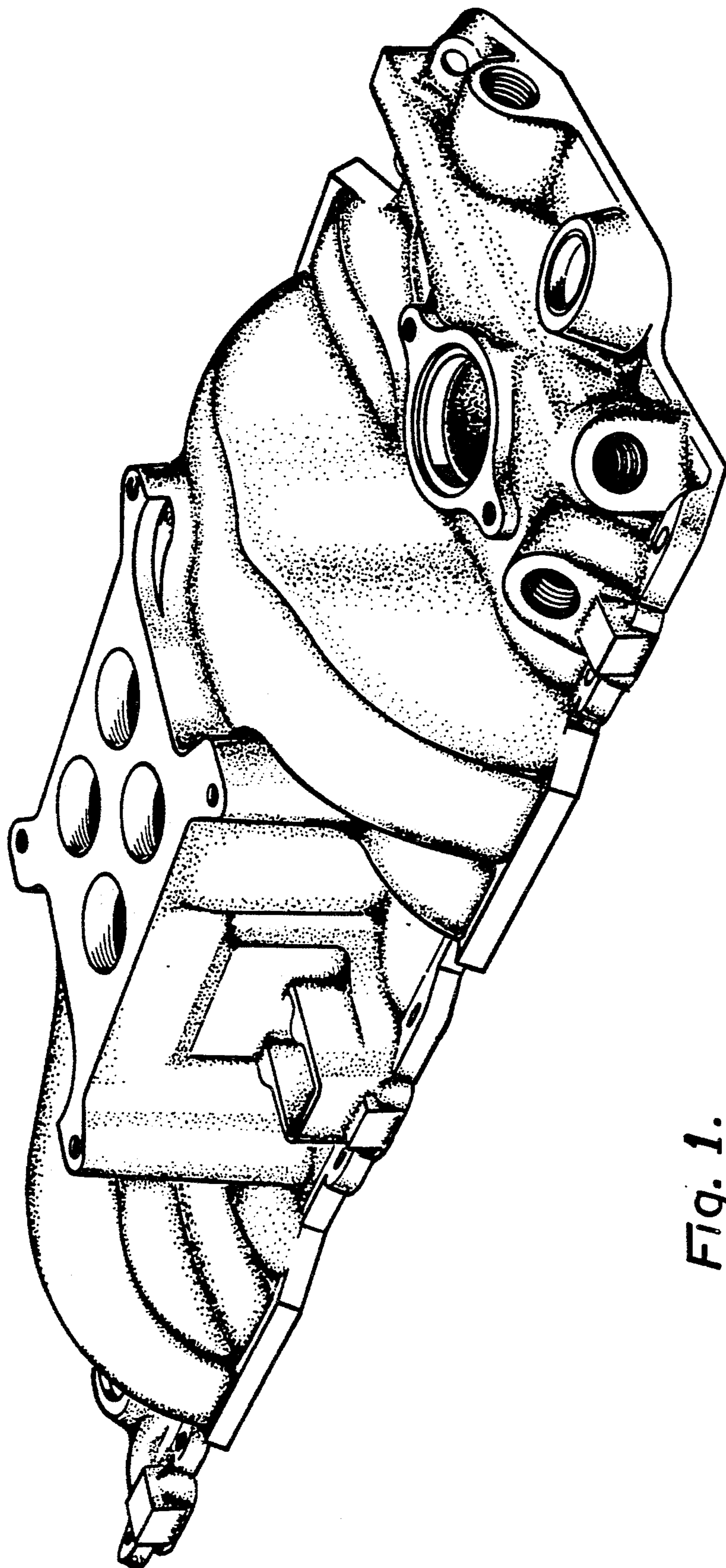


Fig. 1.

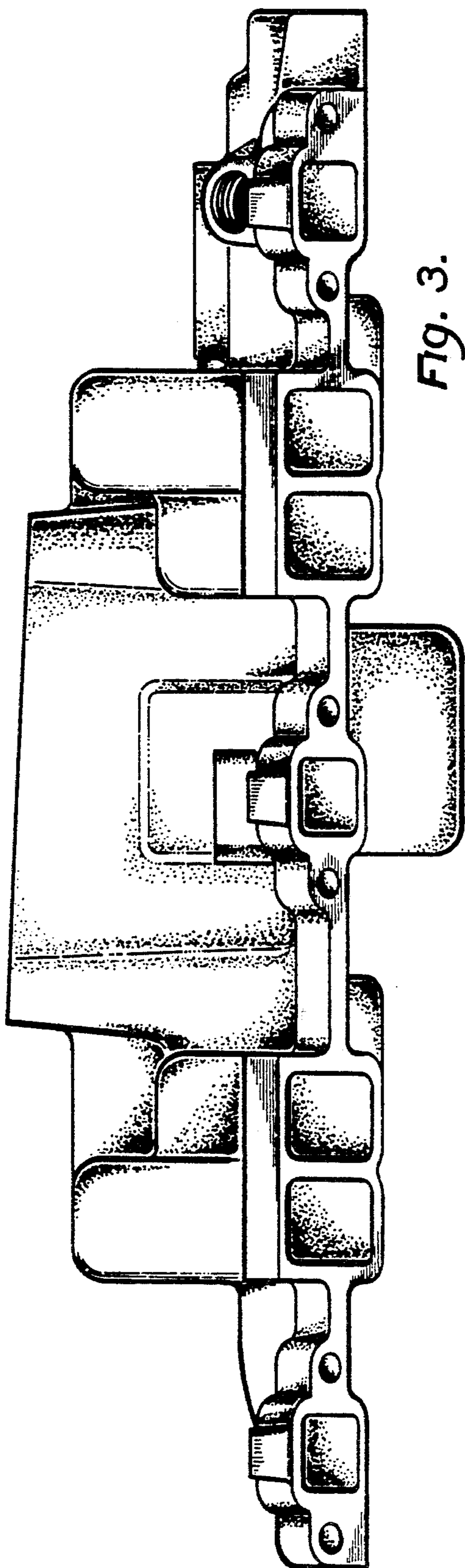


Fig. 3.

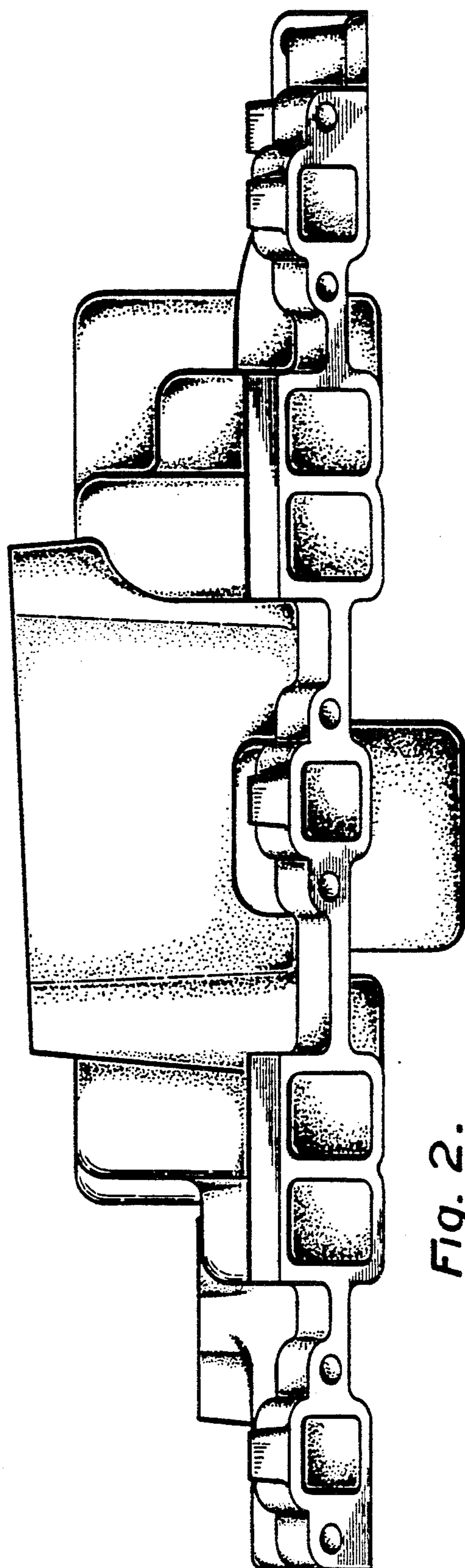


Fig. 2.

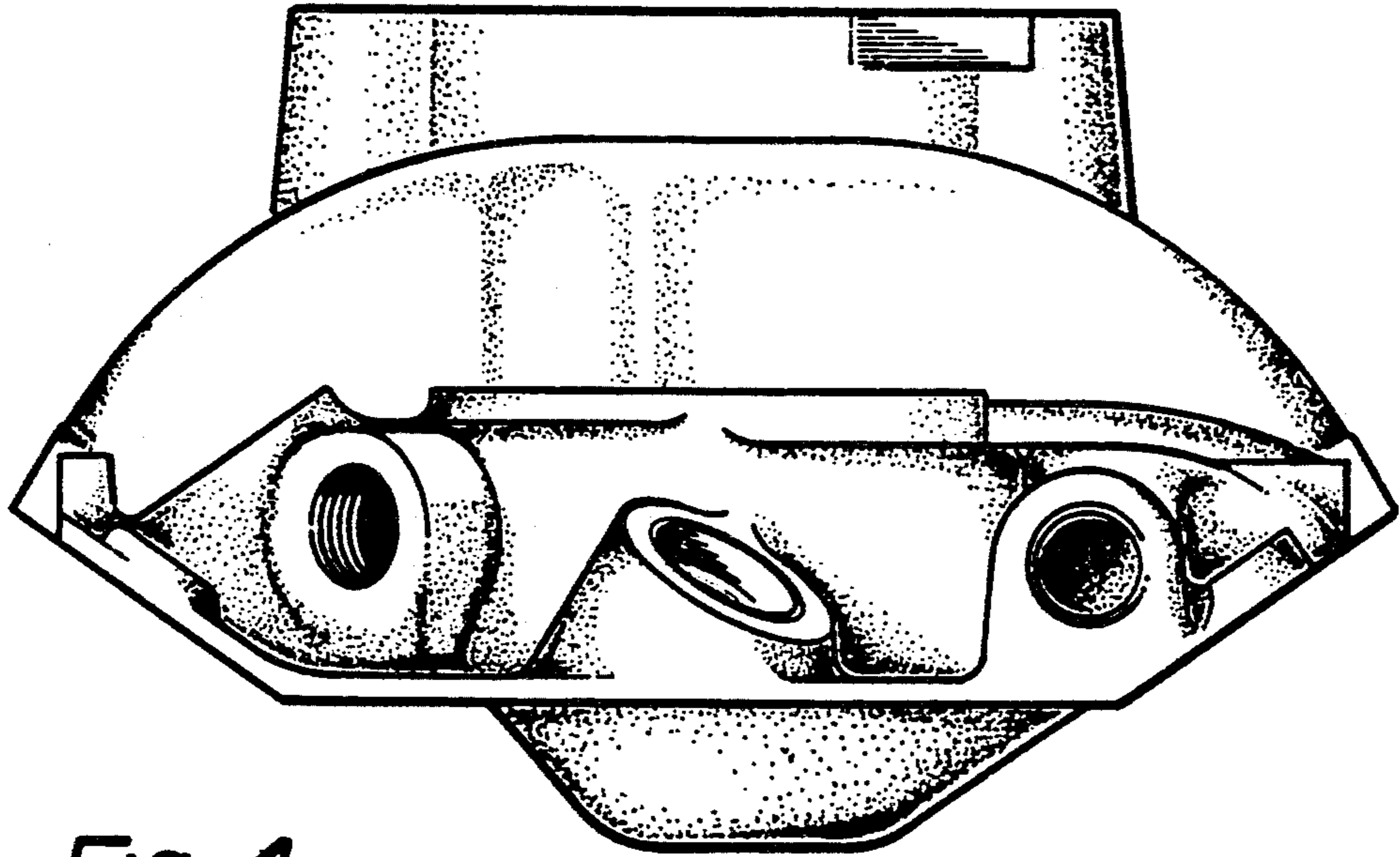


Fig. 4.

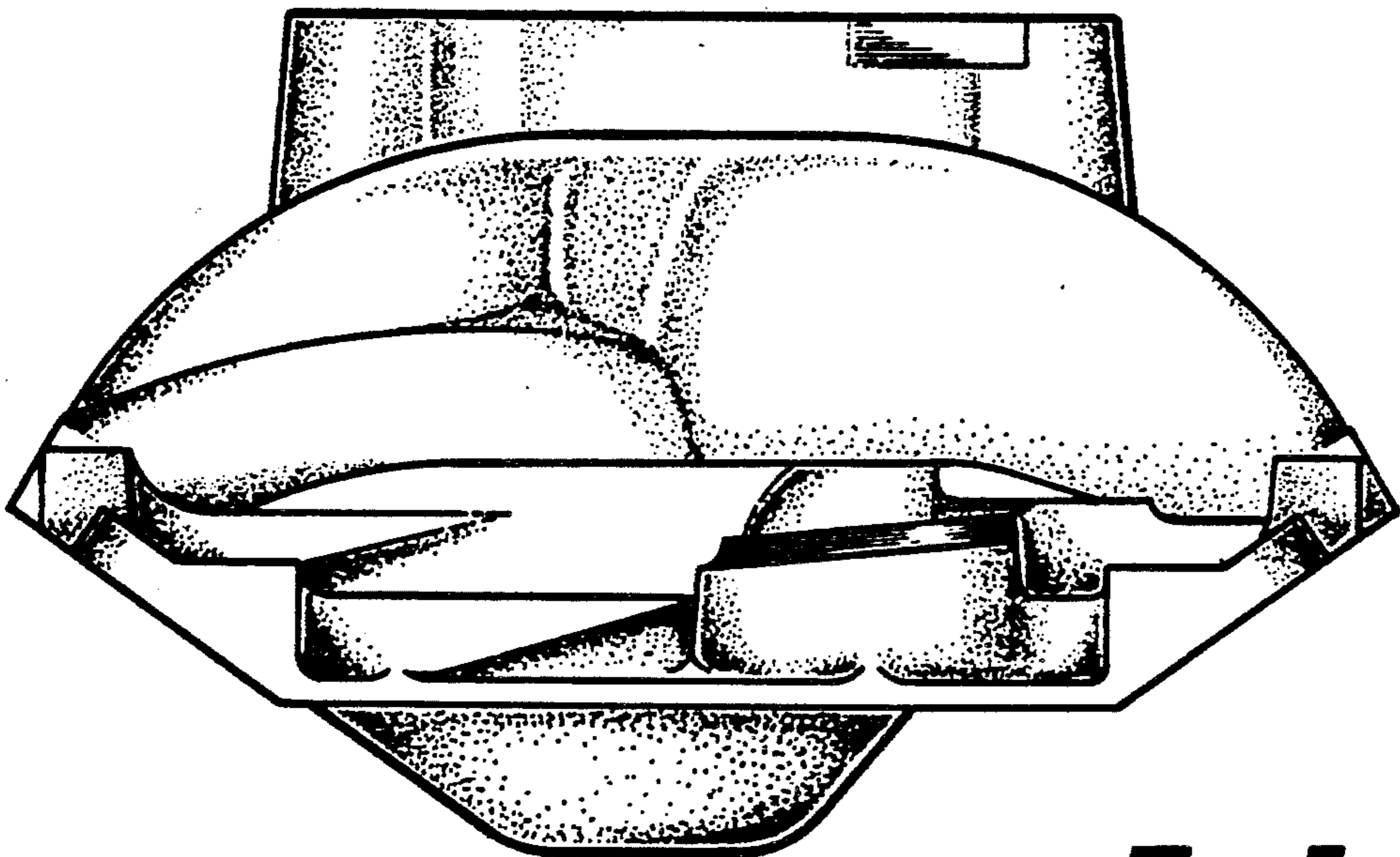


Fig. 5.

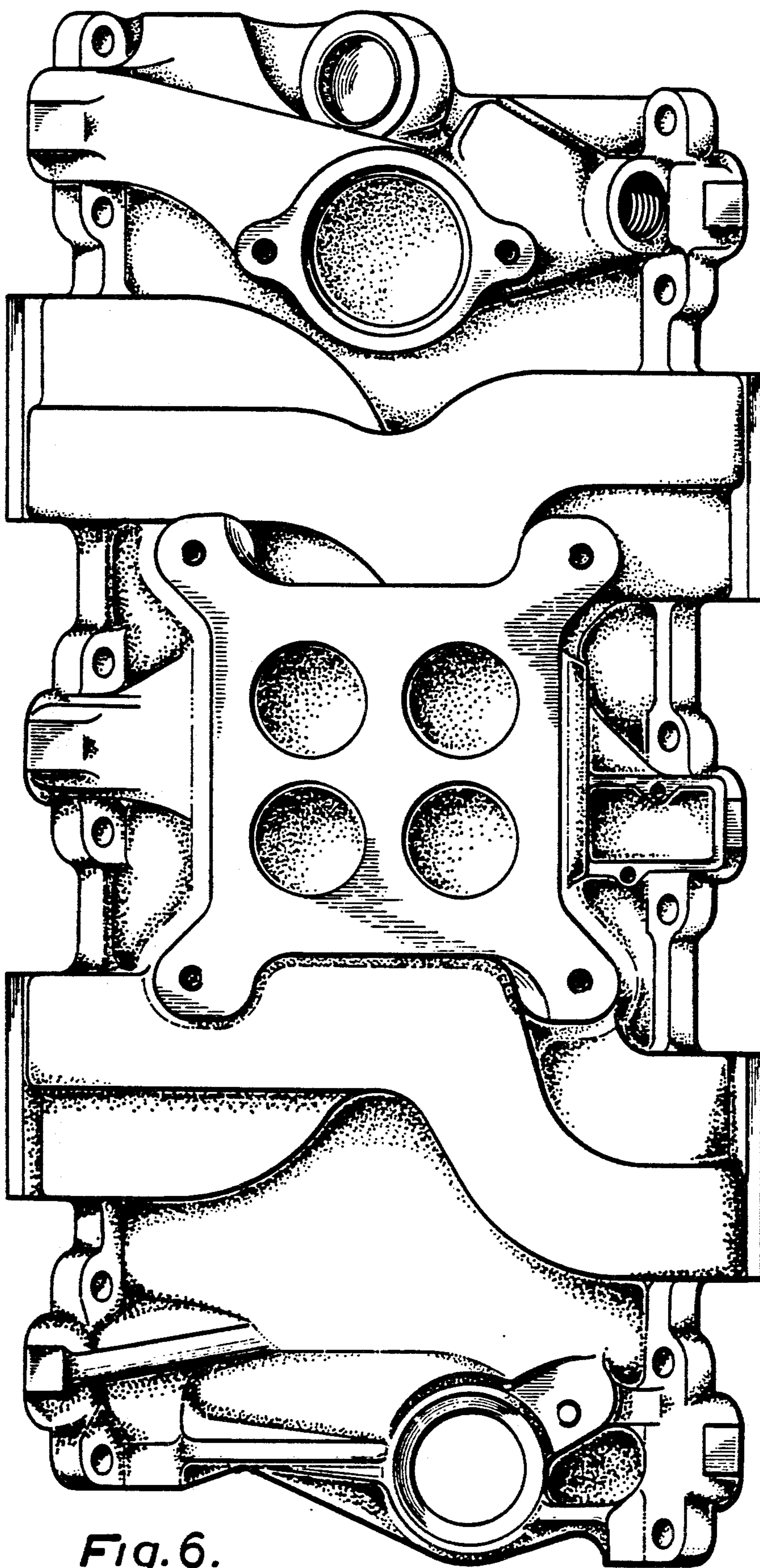


Fig. 6.

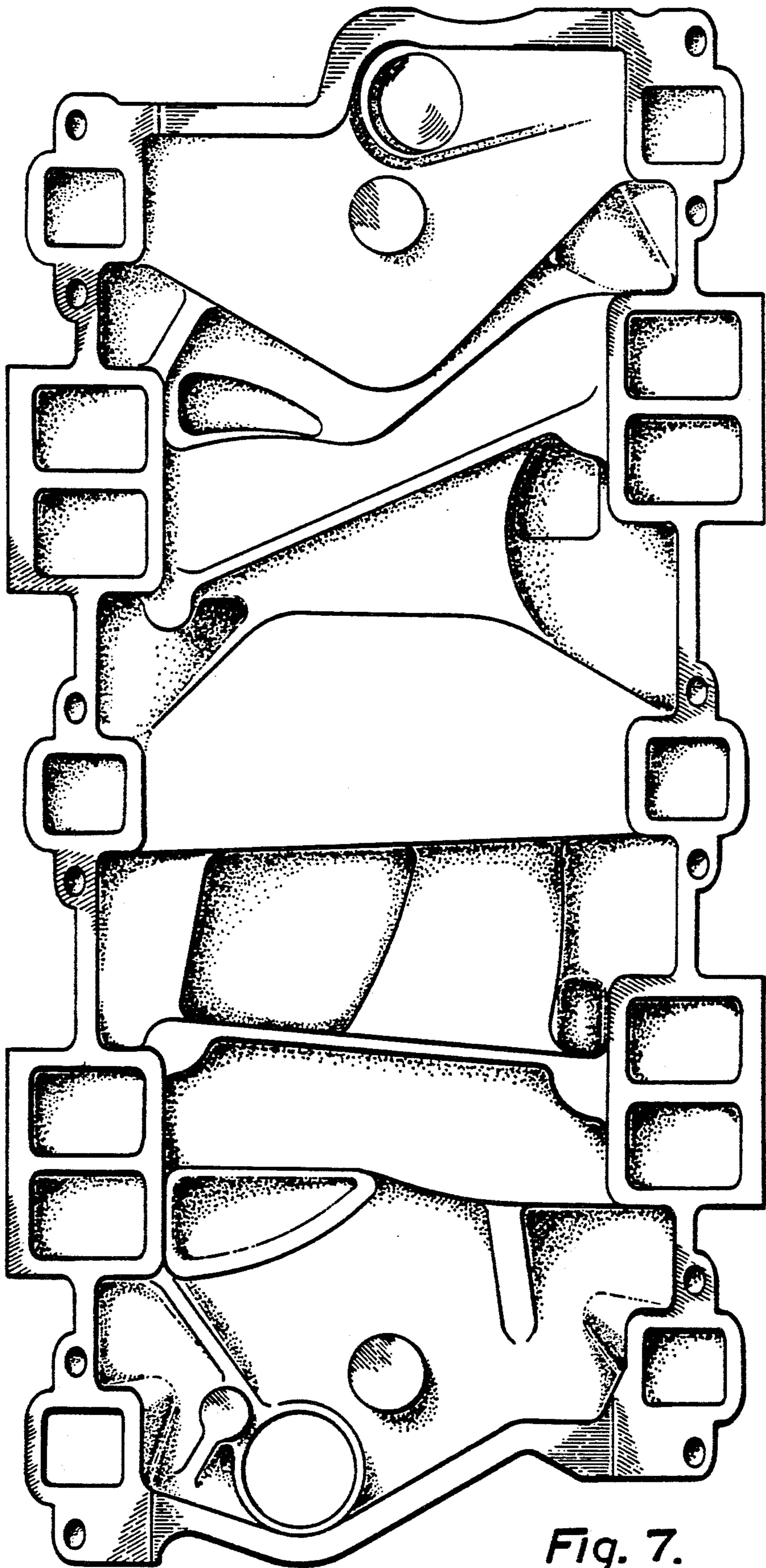


Fig. 7.