

[54] COMBINED OIL SUMP AND COOLER

[76] Inventor: Robert A. Tomlinson, 28813 Farmersville Blvd., Farmersville, Calif. 93223

[**] Term: 14 Years

[21] Appl. No.: 337,128

[22] Filed: Apr. 12, 1989

[52] U.S. Cl. D15/5

[58] Field of Search D15/1, 5-7; 123/73 R, 73 DD, 73 S

[56] References Cited

U.S. PATENT DOCUMENTS

- D. 165,225 11/1951 Goodman D15/7
- D. 255,353 6/1980 Ullrich D15/5
- D. 264,086 4/1982 Pareja D15/7

OTHER PUBLICATIONS

Big Eds Catalog, p. 54, 5-15-1968, Item at center of page.

Honest Charley 1975 Catalog, p. 6, Oil Pan in center of page.

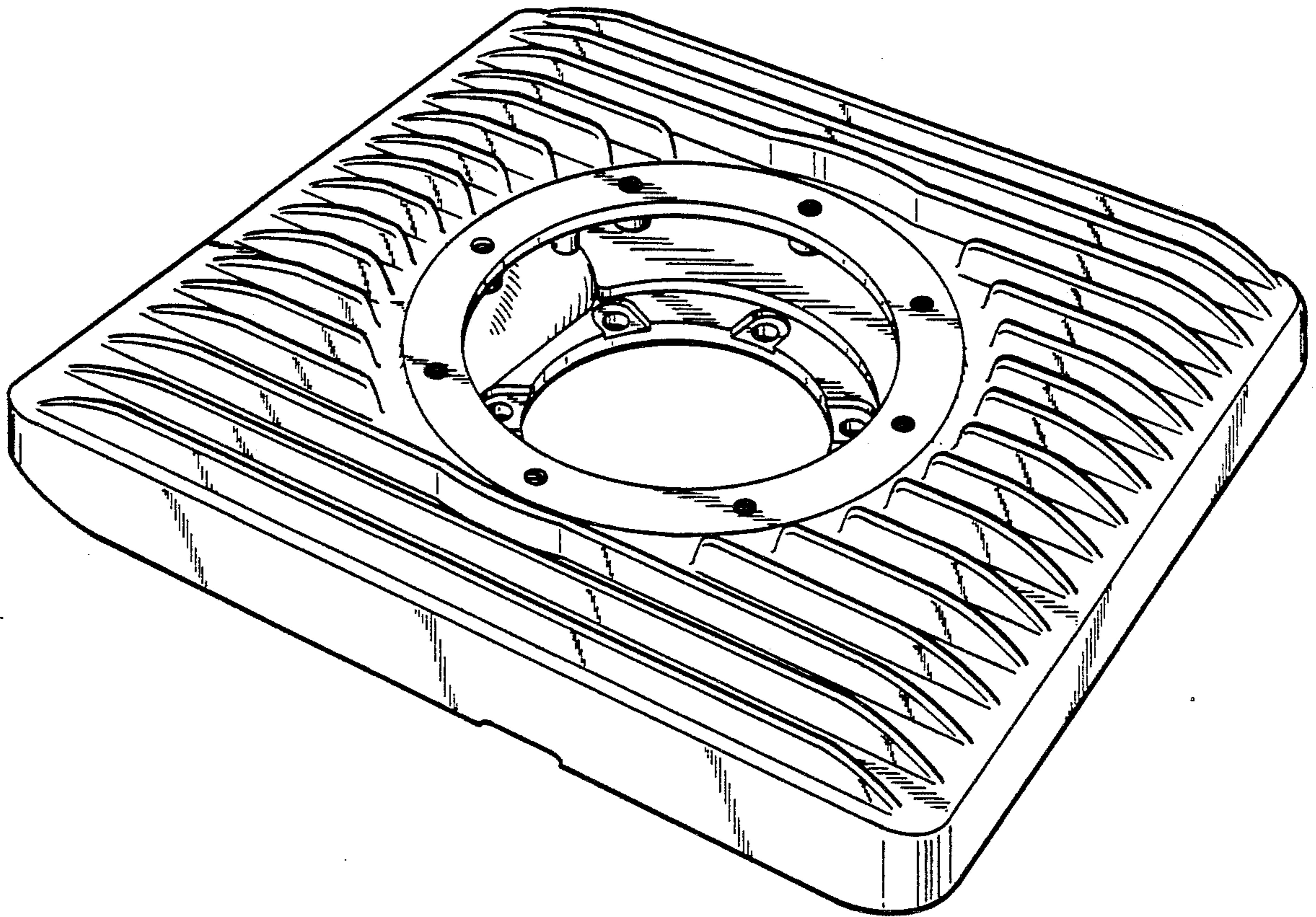
Primary Examiner—Louis S. Zarfes
Assistant Examiner—R. T. Seifert
Attorney, Agent, or Firm—Bruce & McCoy

[57] CLAIM

The ornamental design for a combined oil sump and cooler, as shown and described.

DESCRIPTION

FIG. 1 is a perspective view of a combined oil sump and cooler showing my new design;
 FIG. 2 is a top-plan view thereof;
 FIG. 3 is an end-elevational view thereof;
 FIG. 4 is a bottom-plan view thereof;
 FIG. 5 is a side-elevational view thereof;
 FIG. 6 is a perspective view of a combined oil sump and cooler showing a modified form of my new design;
 FIG. 7 is a top plan view of FIG. 6;
 FIG. 8 is an end elevational view of FIG. 6;
 FIG. 9 is a bottom plan view of FIG. 6; and
 FIG. 10 is a side elevational view of FIG. 6.



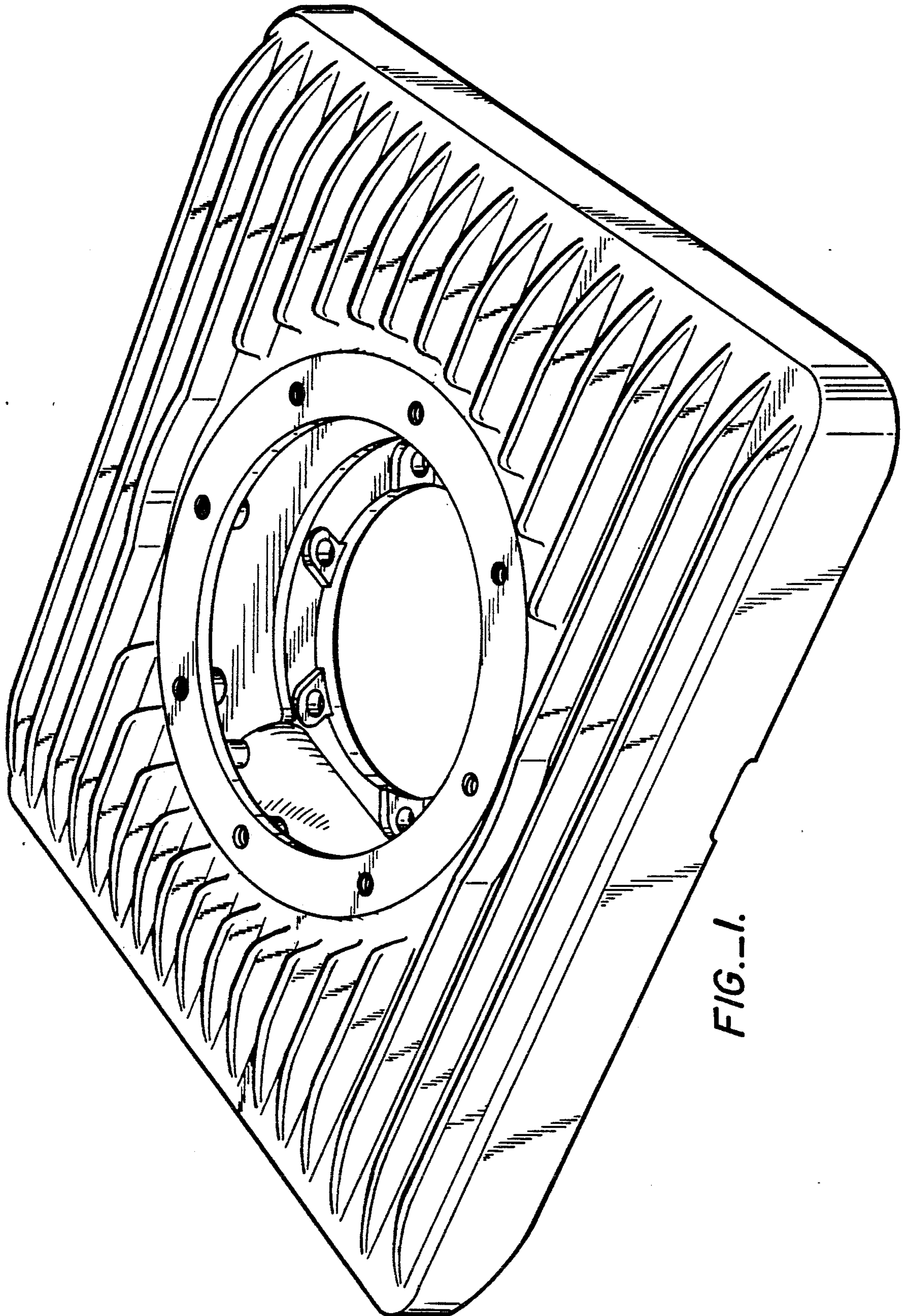


FIG.-I.

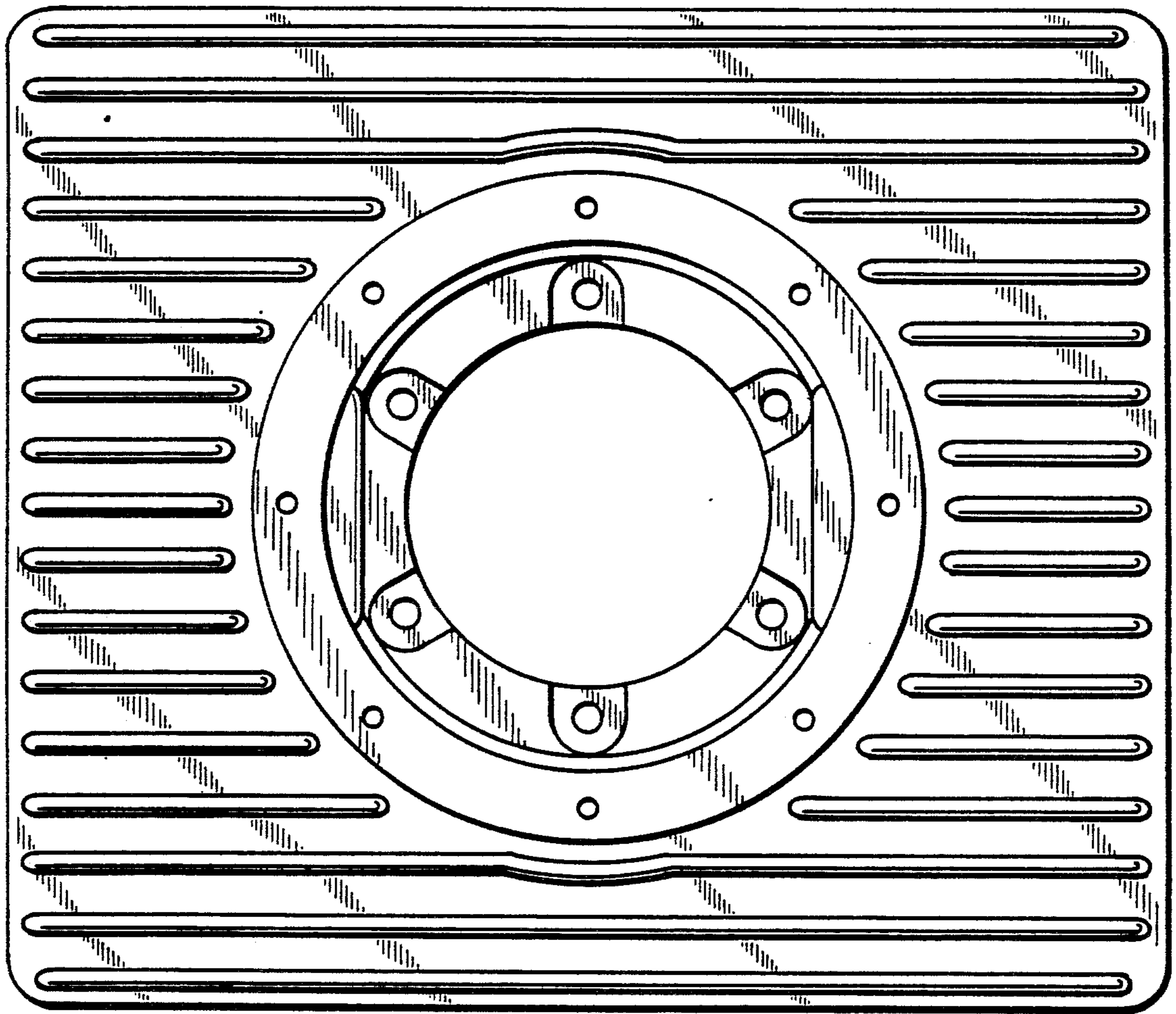


FIG. 2.

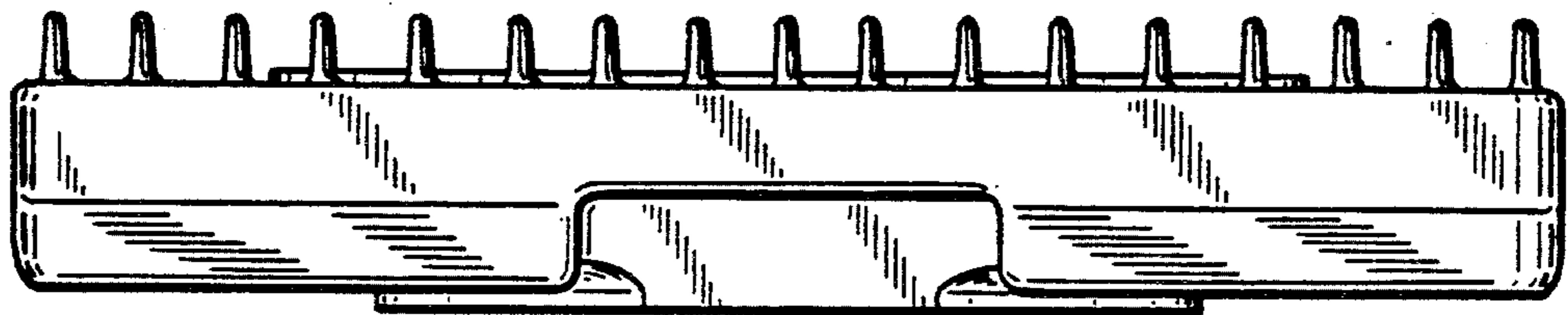


FIG. 3.

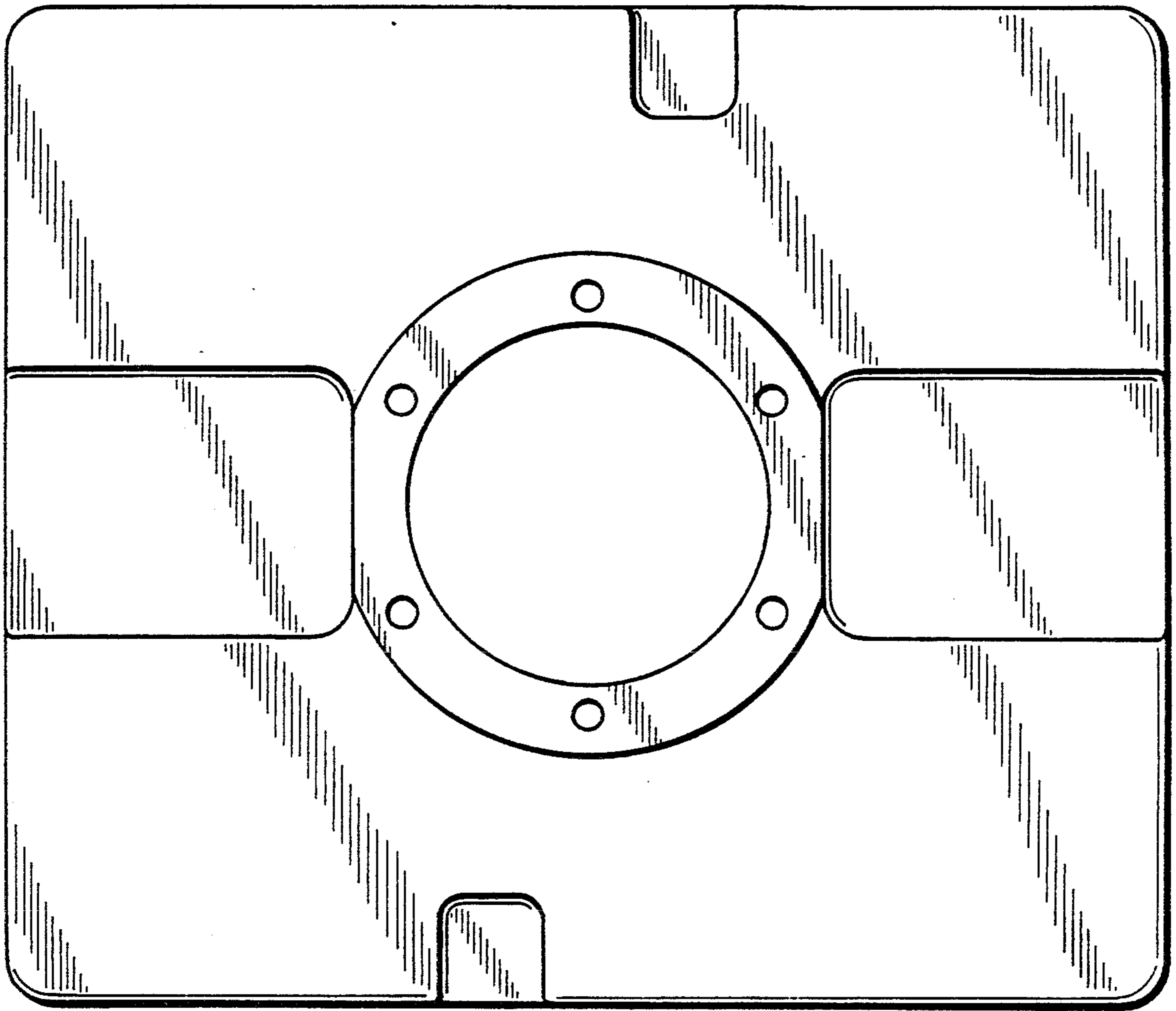


FIG._4.

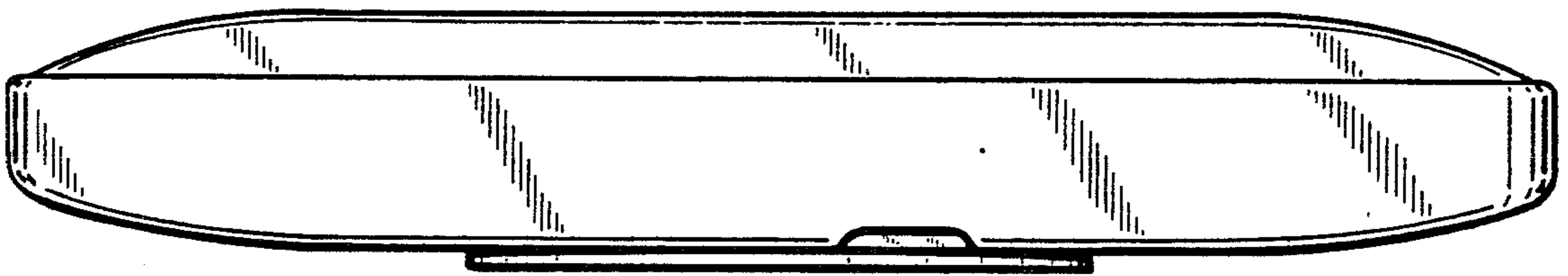


FIG._5.

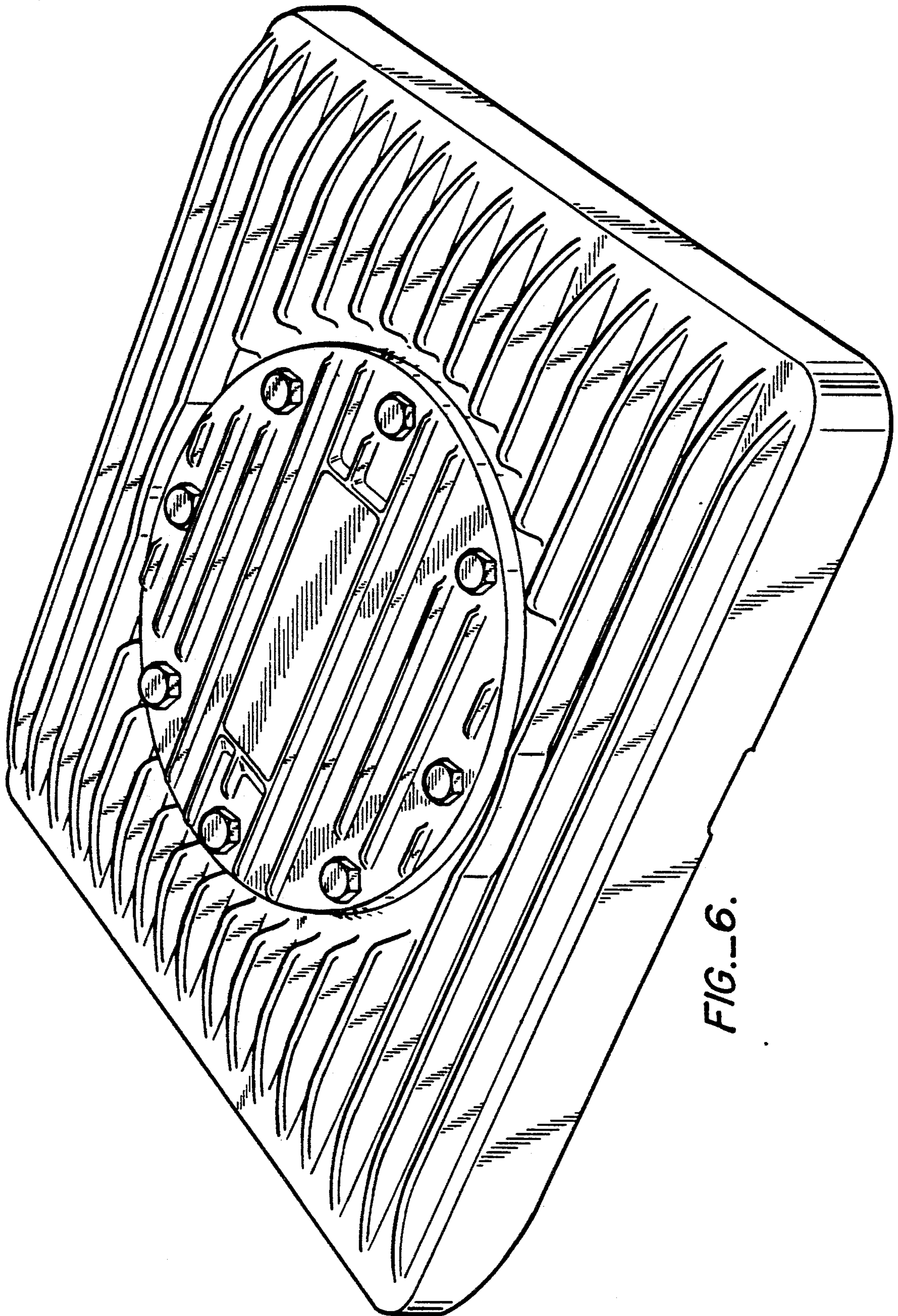


FIG.-6.

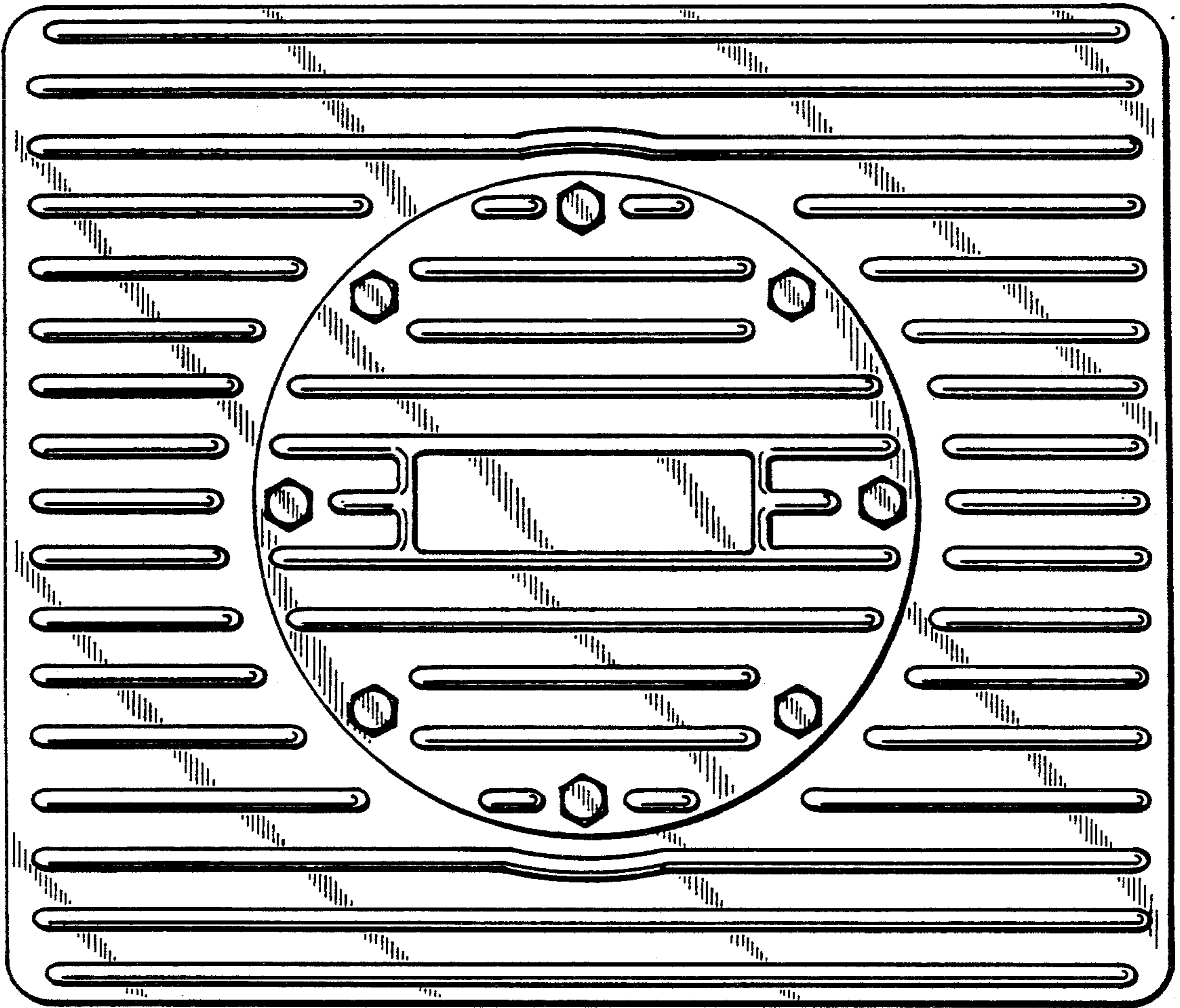


FIG. 7.

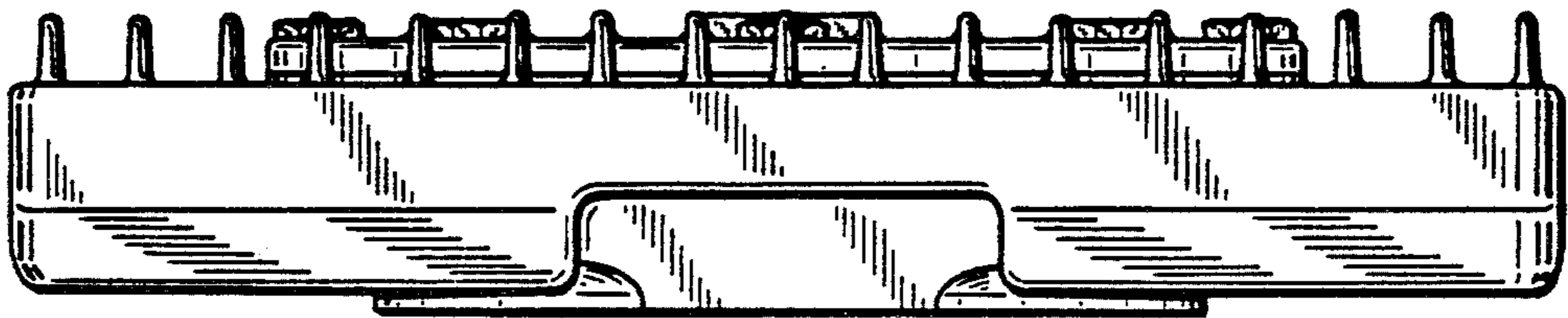


FIG. 8.

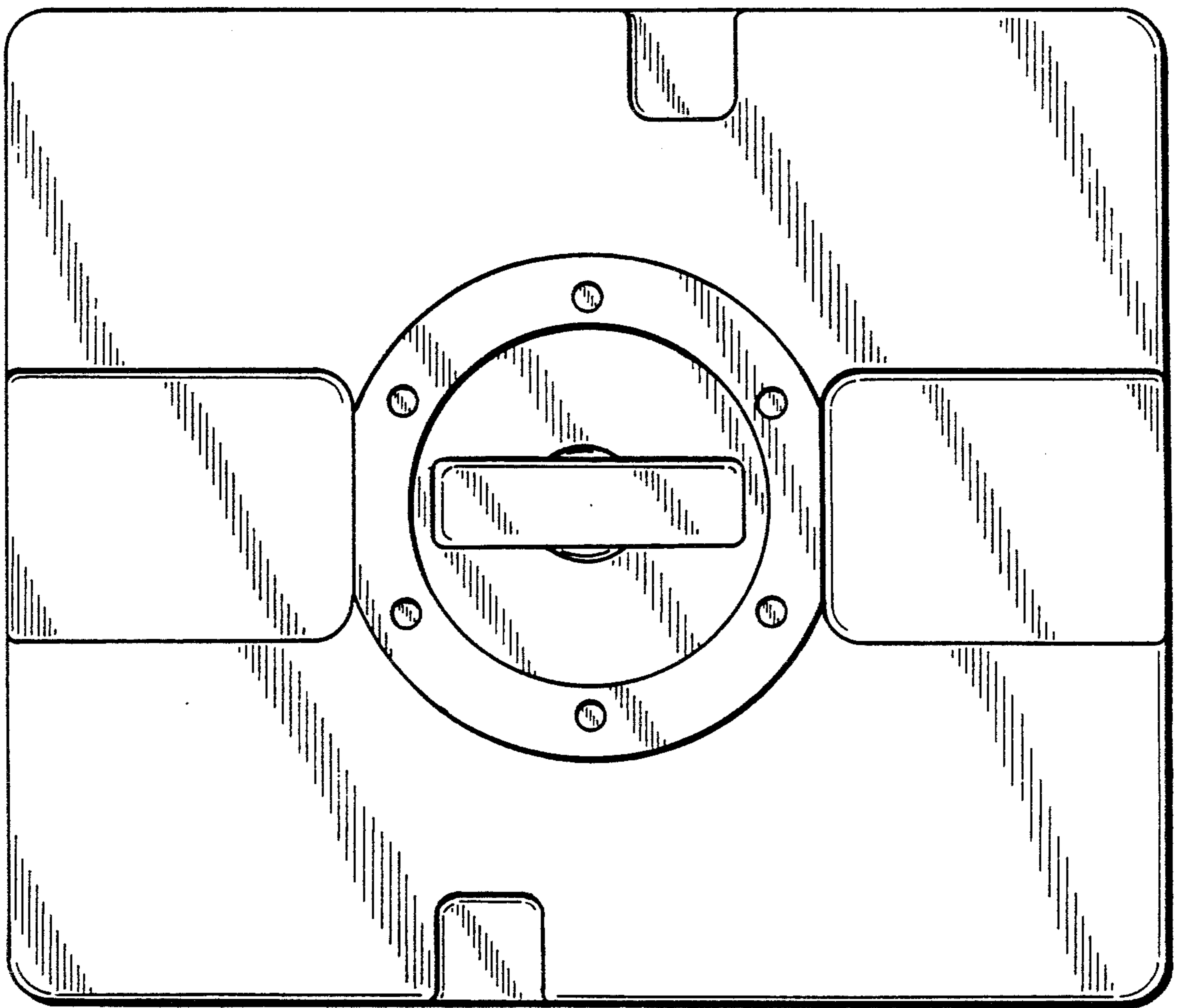


FIG. 9.

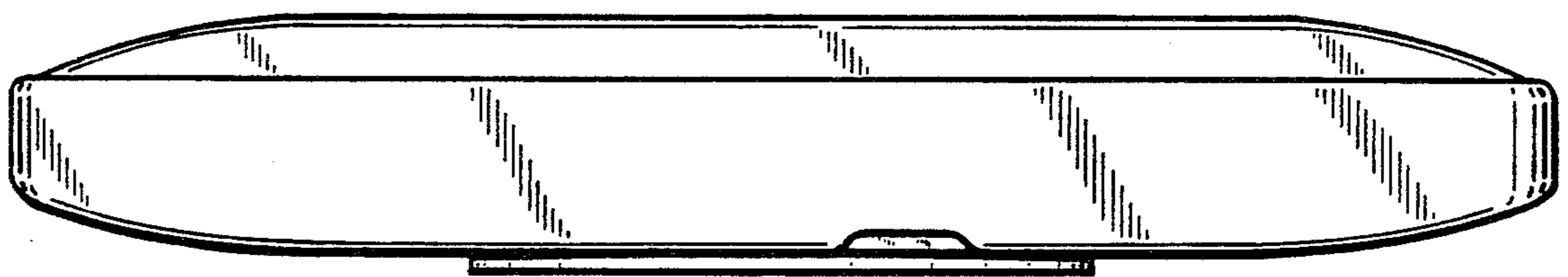


FIG. 10.