

[54] ANTENNA MOUNT

[75] Inventor: Donald E. Metivier, Denton, Tex.

[73] Assignee: Alliance Telecommunications Corp., Dallas, Tex.

[\*\*] Term: 14 Years

[21] Appl. No.: 326,261

[22] Filed: Mar. 21, 1989

[52] U.S. Cl. .... D14/238; D14/230

[58] Field of Search ..... D14/230-238, D14/299; 343/702, 705, 708, 711, 713, 715, 720, 741, 744, 749, 752, 757, 766, 797, 829, 840, 846, 872, 873, 878, 882, 887, 888, 892, 900, 901, 903

[56] References Cited

U.S. PATENT DOCUMENTS

D. 302,160 7/1989 Egashira ..... D14/238  
4,779,098 10/1988 Blaese ..... 343/713 X

4,794,319 12/1988 Shimazaki ..... 343/711 X  
4,882,592 11/1989 Studer, Jr. et al. .... 343/900 X  
4,931,806 6/1990 Wunderlich ..... 343/713 X

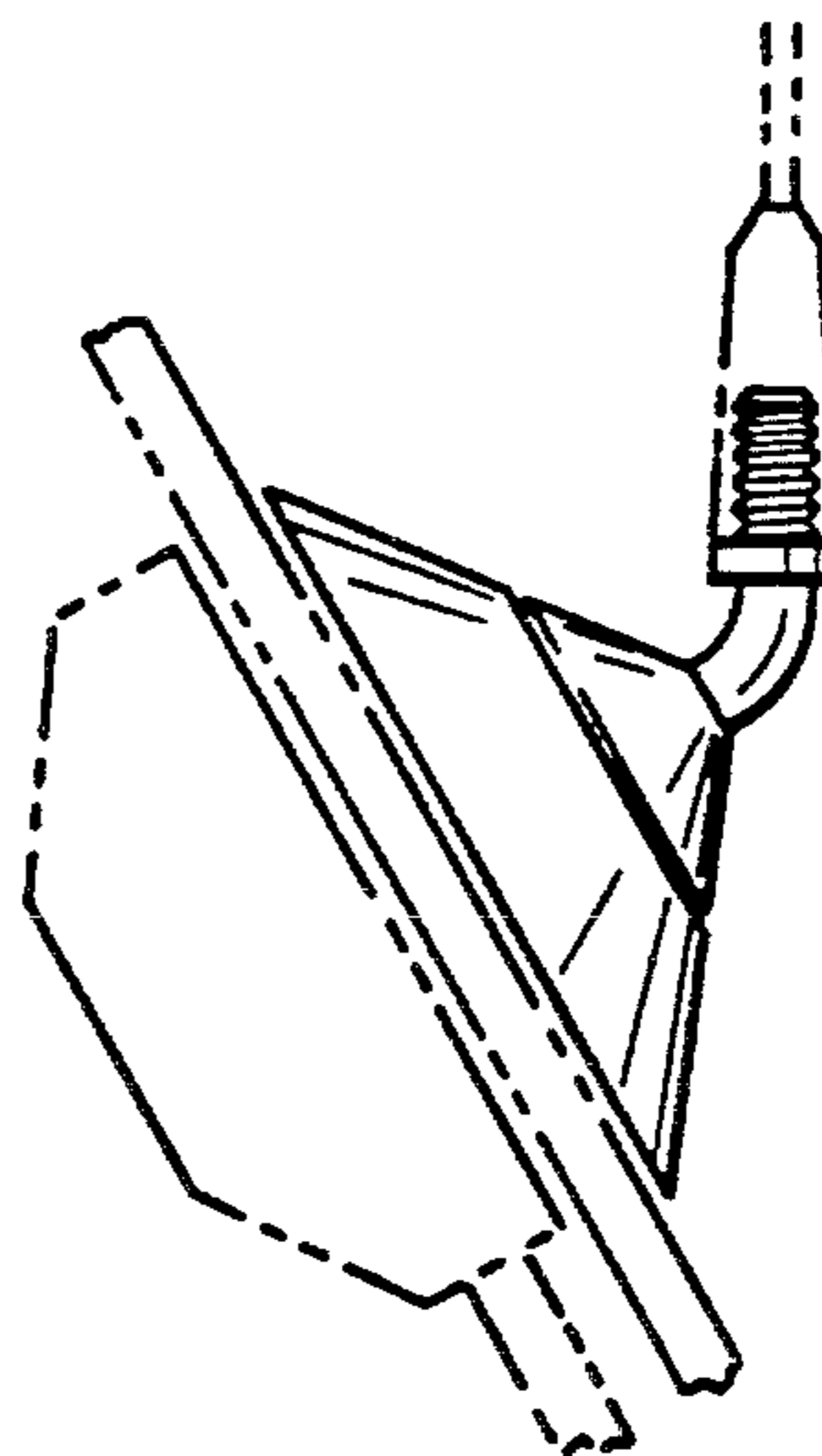
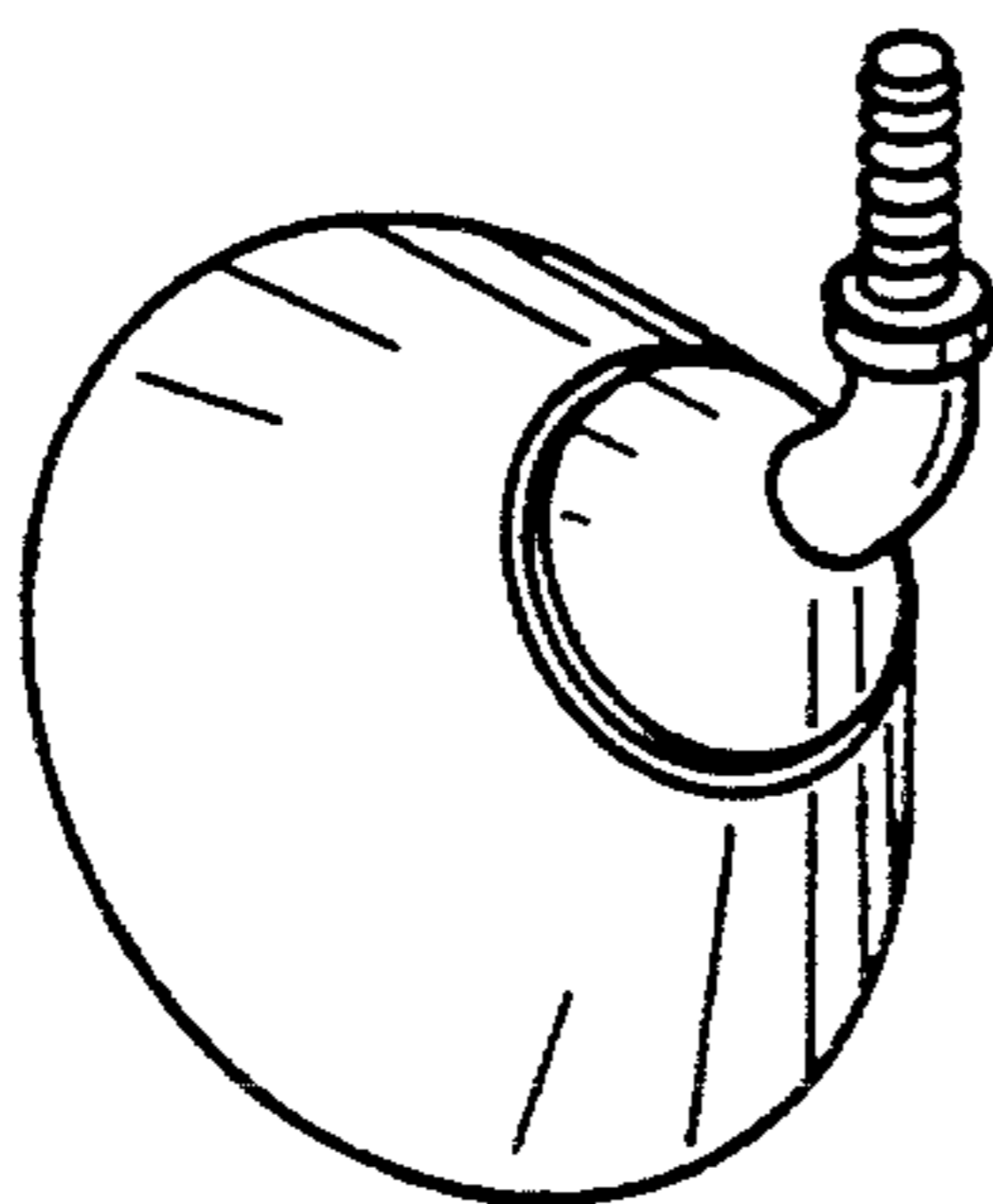
Primary Examiner—Theodore M. Shooman  
Attorney, Agent, or Firm—Richards, Medlock & Andrews

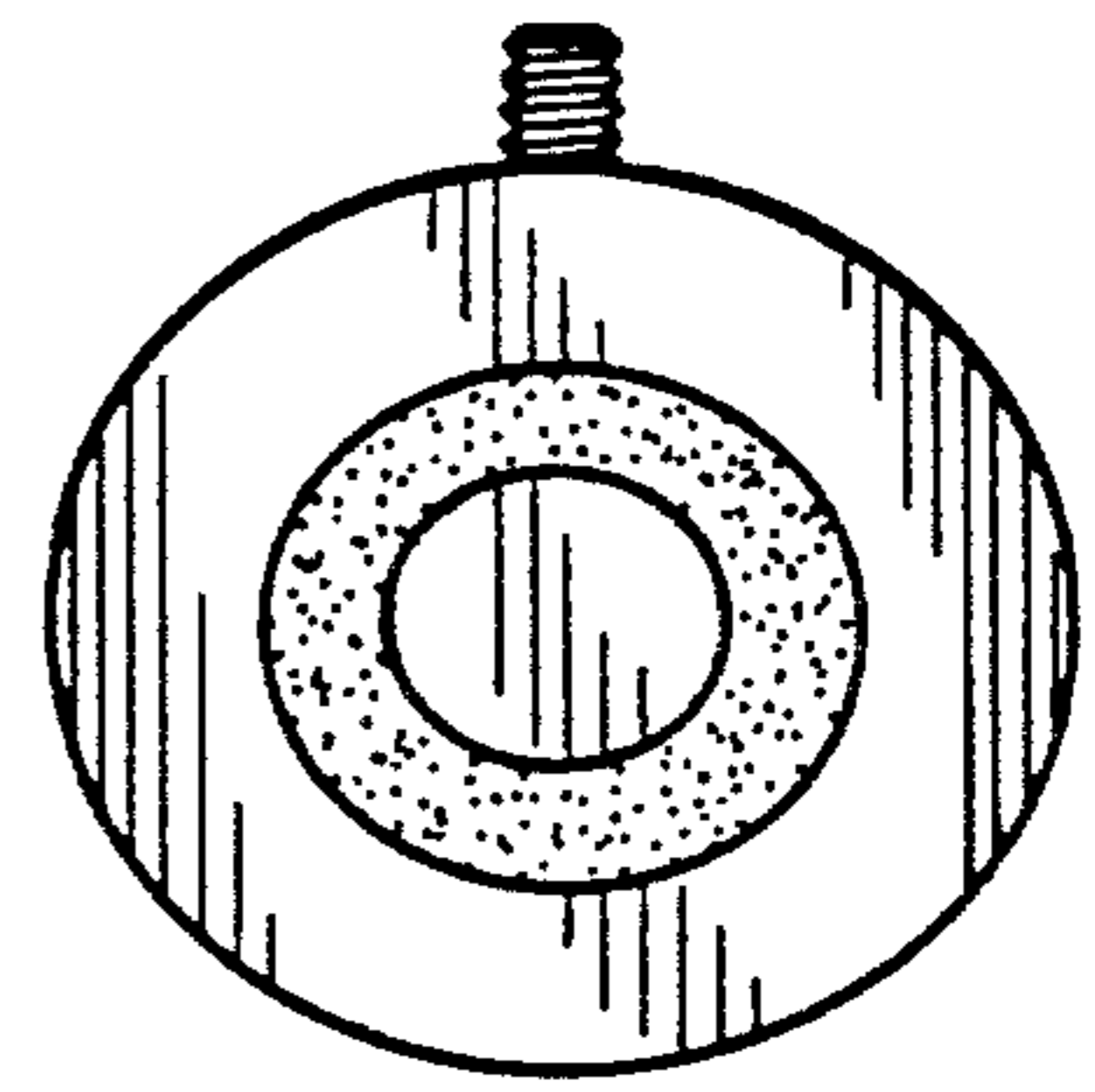
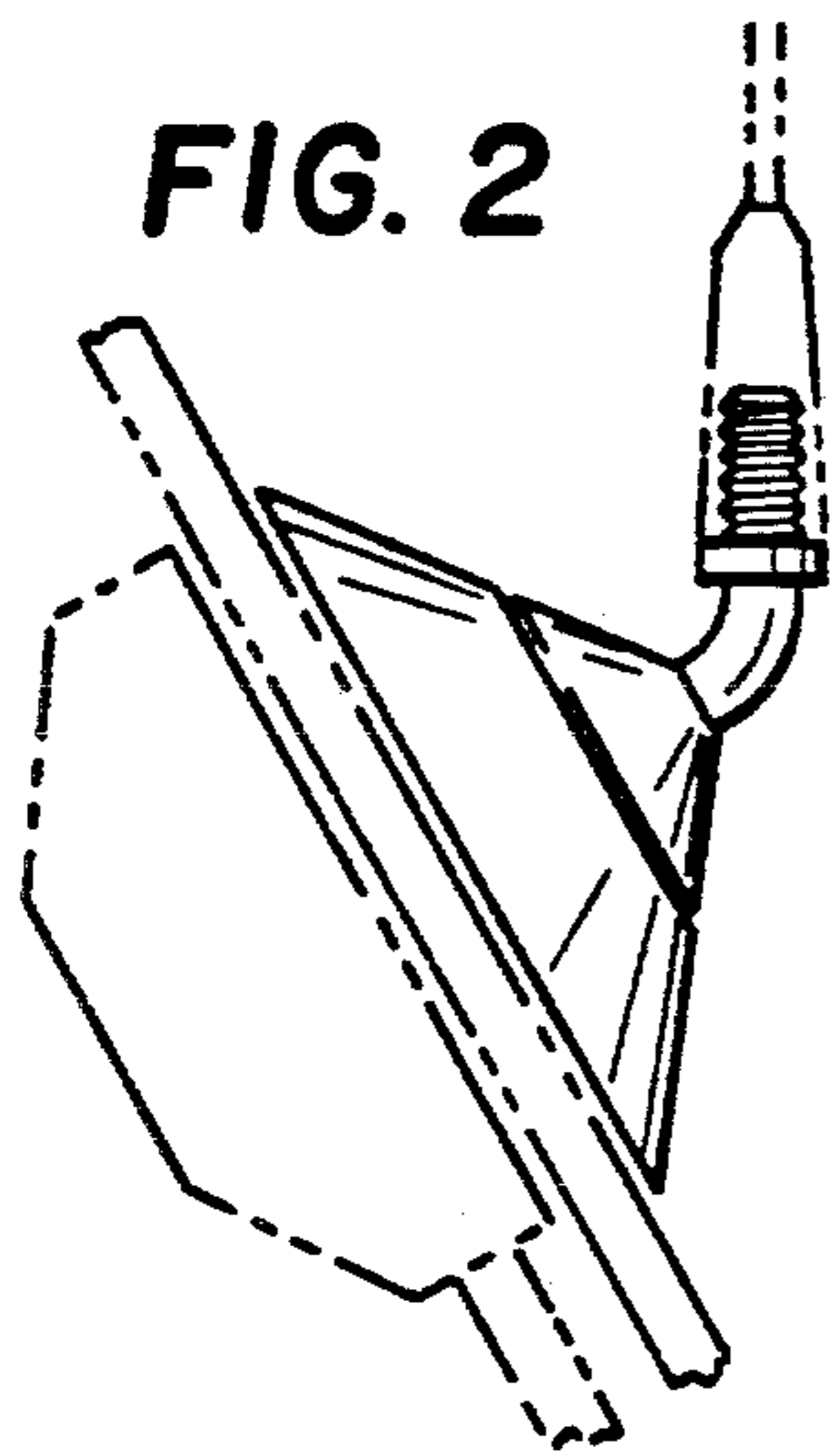
[57] CLAIM

The ornamental design for an antenna mount, as shown and described.

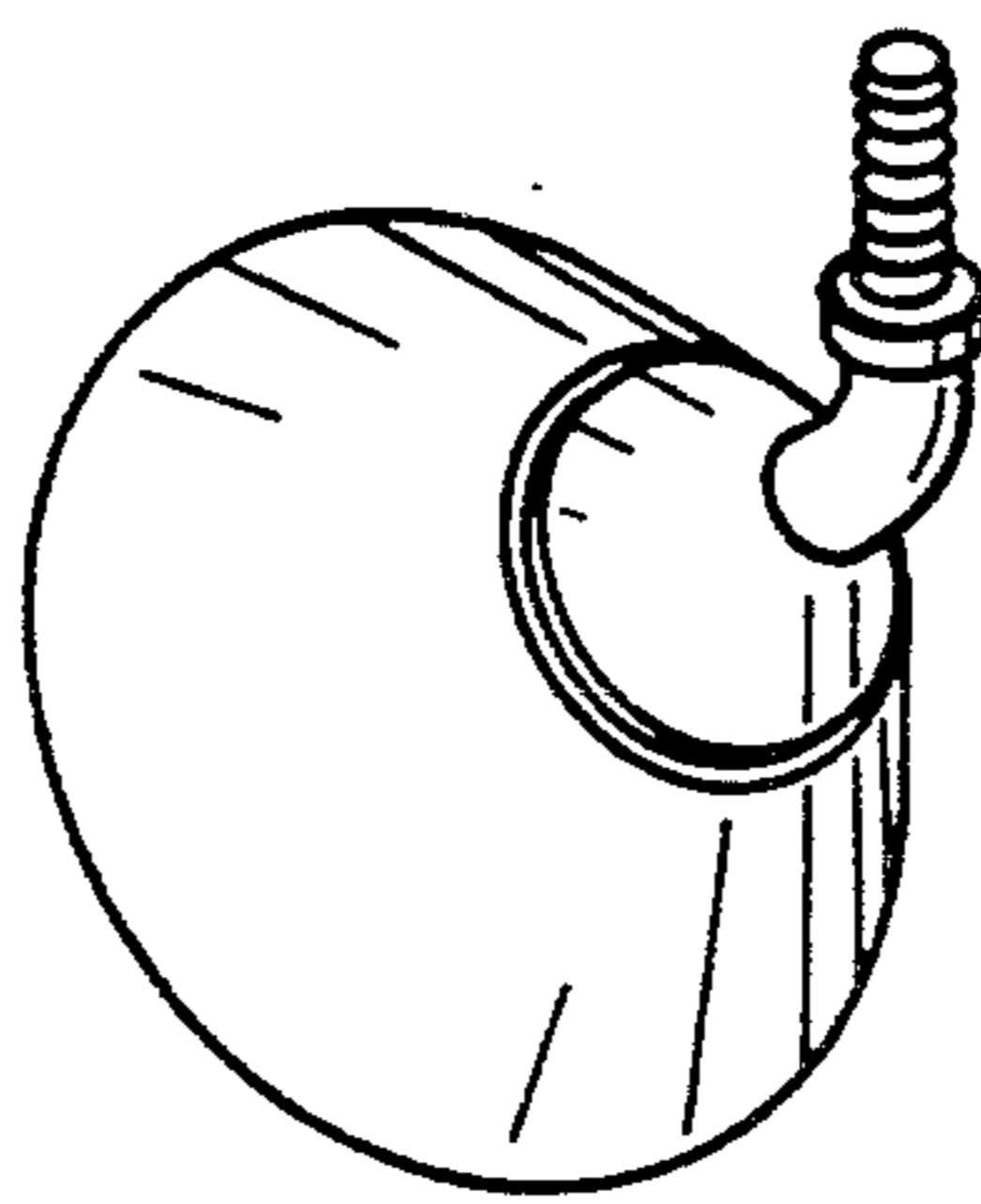
DESCRIPTION

FIG. 1 is a front and left side perspective view of an antenna mount showing my new design;  
FIG. 2 is a left side elevational view thereof;  
FIG. 3 is a top perspective view thereof;  
FIG. 4 is a front and bottom perspective view thereof; and  
FIG. 5 is a rear elevational view thereof.  
The broken line showing in FIG. 2 is for illustrative purposes only and forms no part of the claimed design.

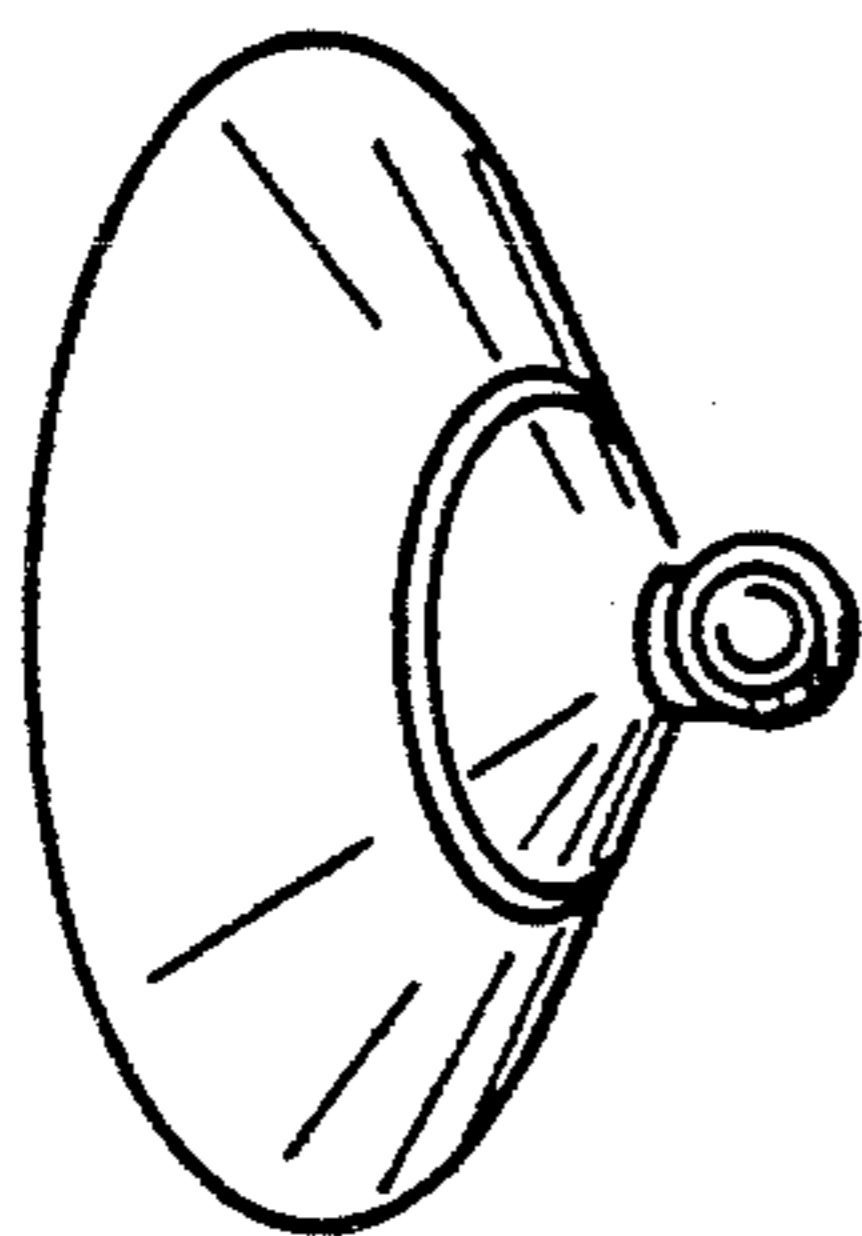




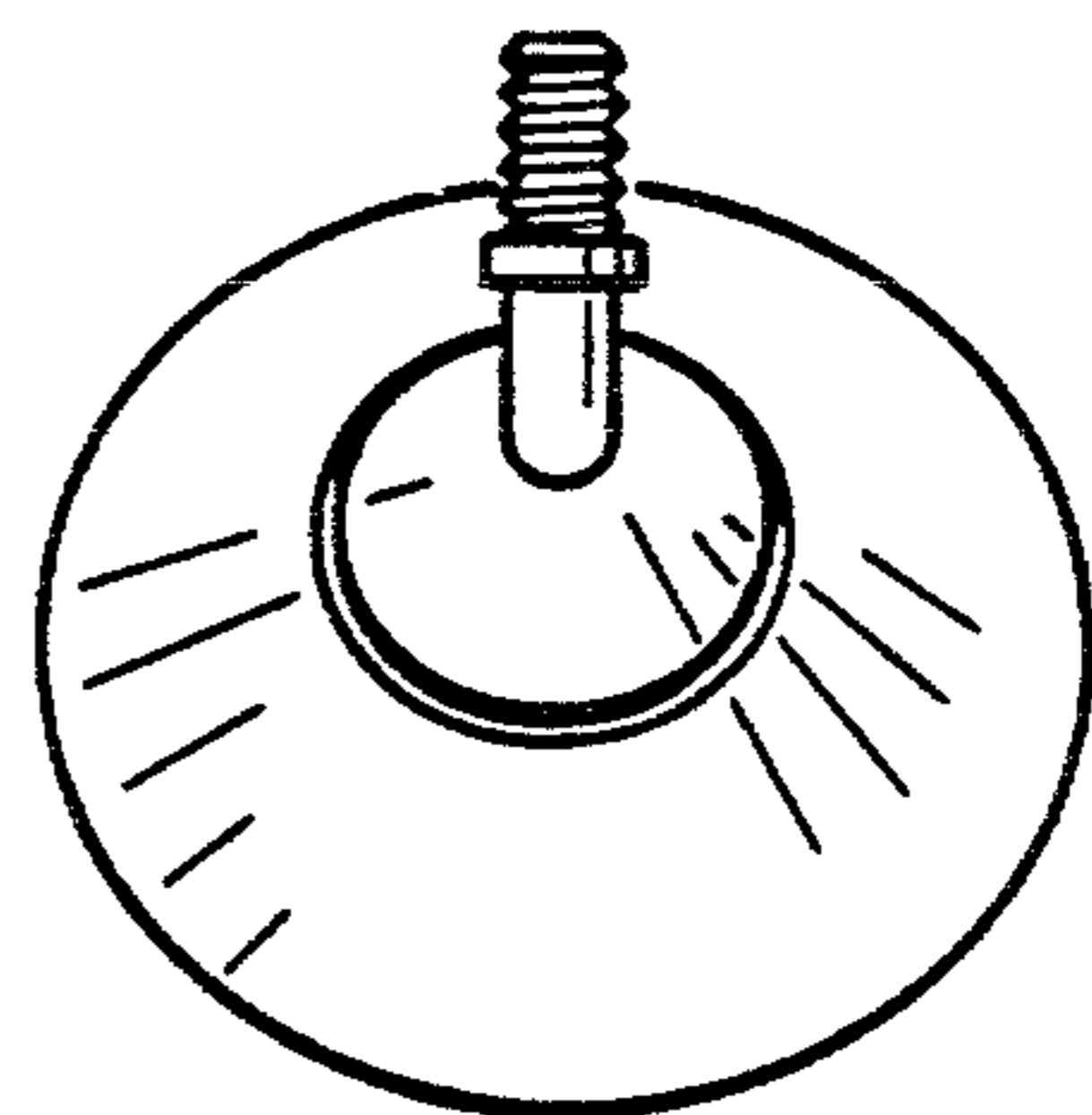
**FIG. 5**



**FIG. 1**



**FIG. 3**



**FIG. 4**