

[54] **HOLDER FOR A PORTABLE TELEPHONE HANDSET**

[75] **Inventor: Christopher Sheldrake, Basingstoke, England**

[73] **Assignee: Technophone Limited, Surrey, England**

[**] **Term: 14 Years**

[21] **Appl. No.: 592,835**

[22] **Filed: Oct. 4, 1990**

[30] **Foreign Application Priority Data**

Apr. 12, 1990 [GB] United Kingdom 2006137

[52] **U.S. Cl.** **D14/253; D14/251; D14/138; D14/148; D6/553; D8/373**

[58] **Field of Search** **D14/253, 251, 138, 142; D6/553; 379/58, 452, 455, 457, 433, 454, 435, 450, 446; D8/373; 455/89, 90; D21/111; 248/314**

[56] **References Cited**

U.S. PATENT DOCUMENTS

- D. 157,849 3/1950 Dreyfuss D14/253
- D. 207,403 4/1967 Schulte D14/253

- D. 209,967 1/1968 Clearman D14/253
- D. 216,641 2/1970 Phillips D14/252
- D. 241,144 8/1976 Davis D14/253
- D. 261,509 10/1981 Cobb D14/253
- D. 282,281 1/1986 Spranger et al. D14/138
- D. 282,465 2/1986 Hurley et al. D14/138
- D. 306,299 2/1990 Soren et al. D14/138
- D. 317,157 5/1991 Jondelius D8/373
- 2,339,413 1/1944 King 179/146
- 2,443,329 6/1948 Sears 179/146
- 3,192,894 7/1965 Staver 248/314 X
- 3,757,363 9/1973 Langlais 248/314 X
- 4,299,344 11/1981 Yamashita et al. 248/314 X
- 4,833,700 5/1989 Seaburg 379/58

Primary Examiner—Horace B. Fay, Jr.
Attorney, Agent, or Firm—Perman & Green

[57] **CLAIM**

The ornamental design for a holder for a portable telephone handset, as shown and described.

DESCRIPTION

FIG. 1 is a left side, top and front perspective view of a holder for a portable telephone handset;
 FIG. 2 is a rear elevational view thereof;
 FIG. 3 is a right side elevational view thereof;
 FIG. 4 is a top plan view thereof; and
 FIG. 5 is a bottom plan view thereof.

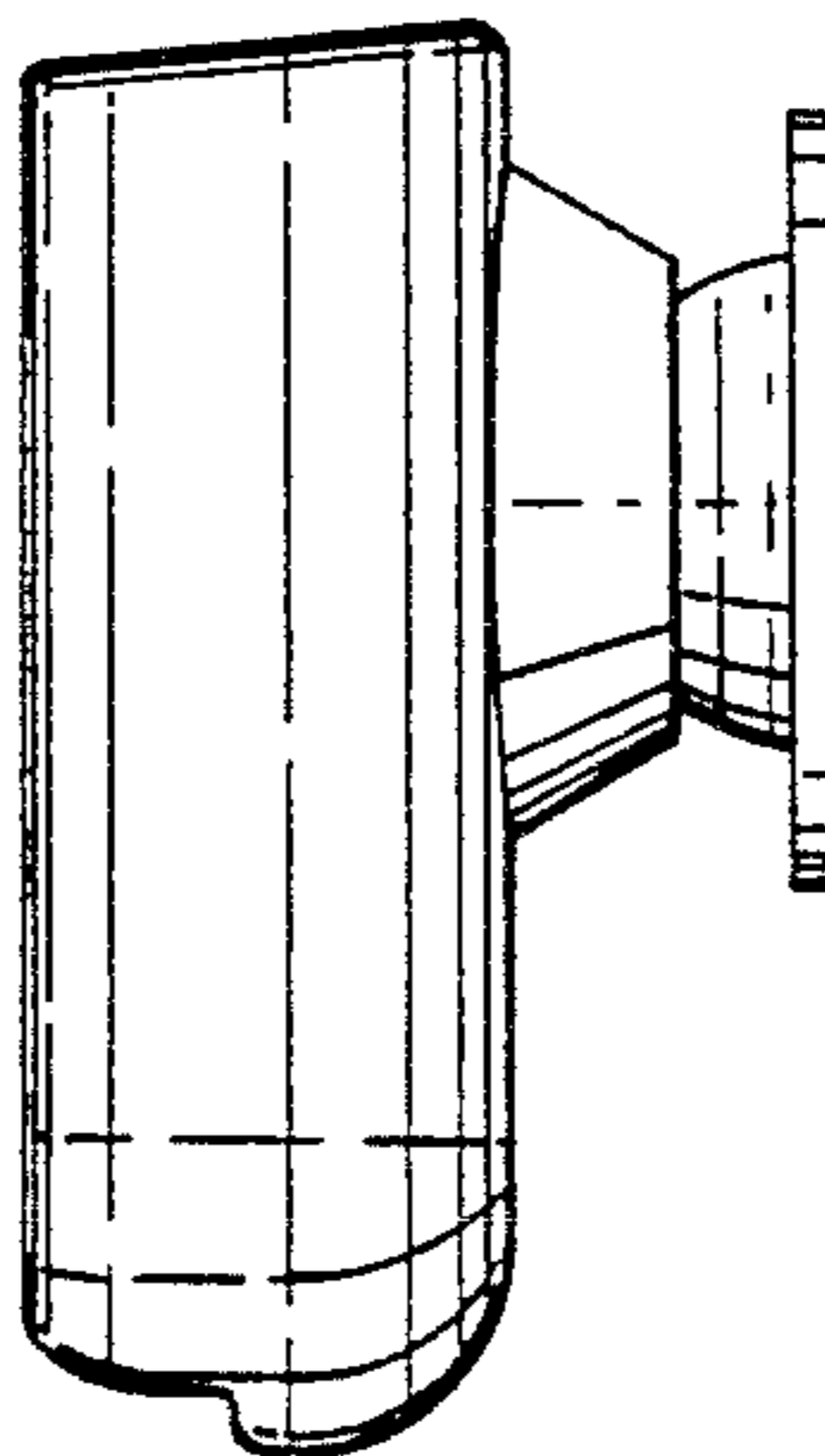
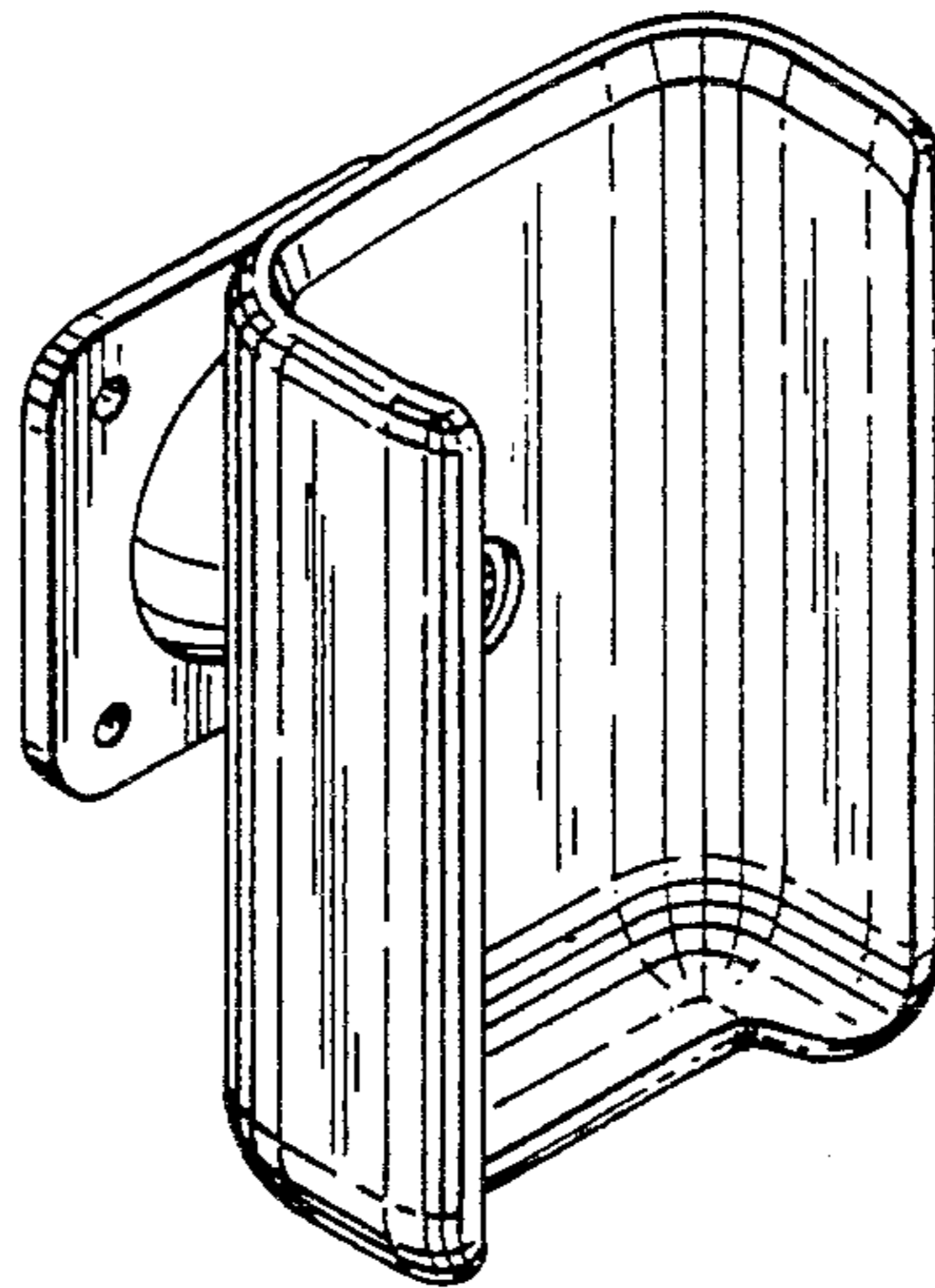


Fig. 1.

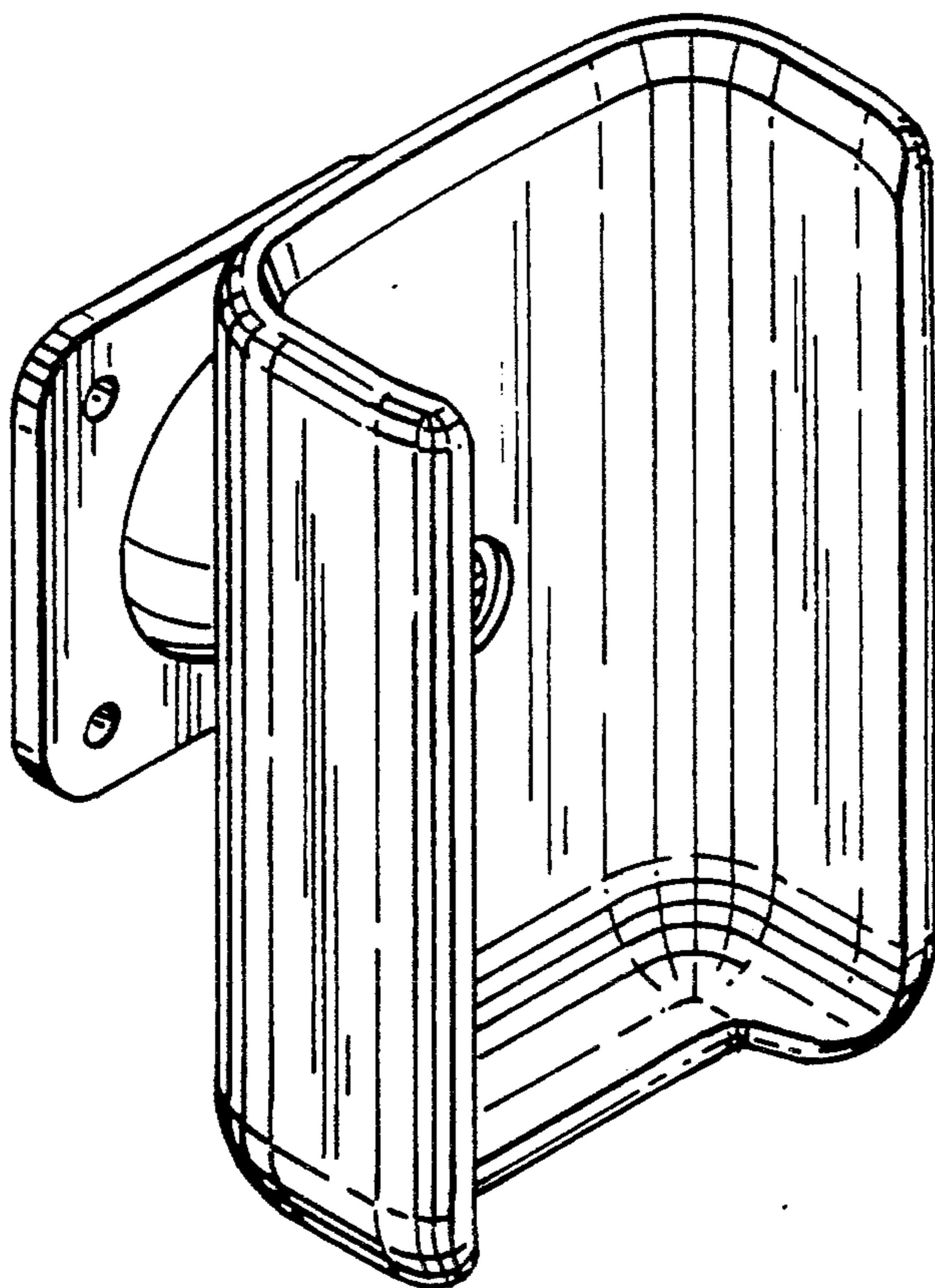


Fig. 2.

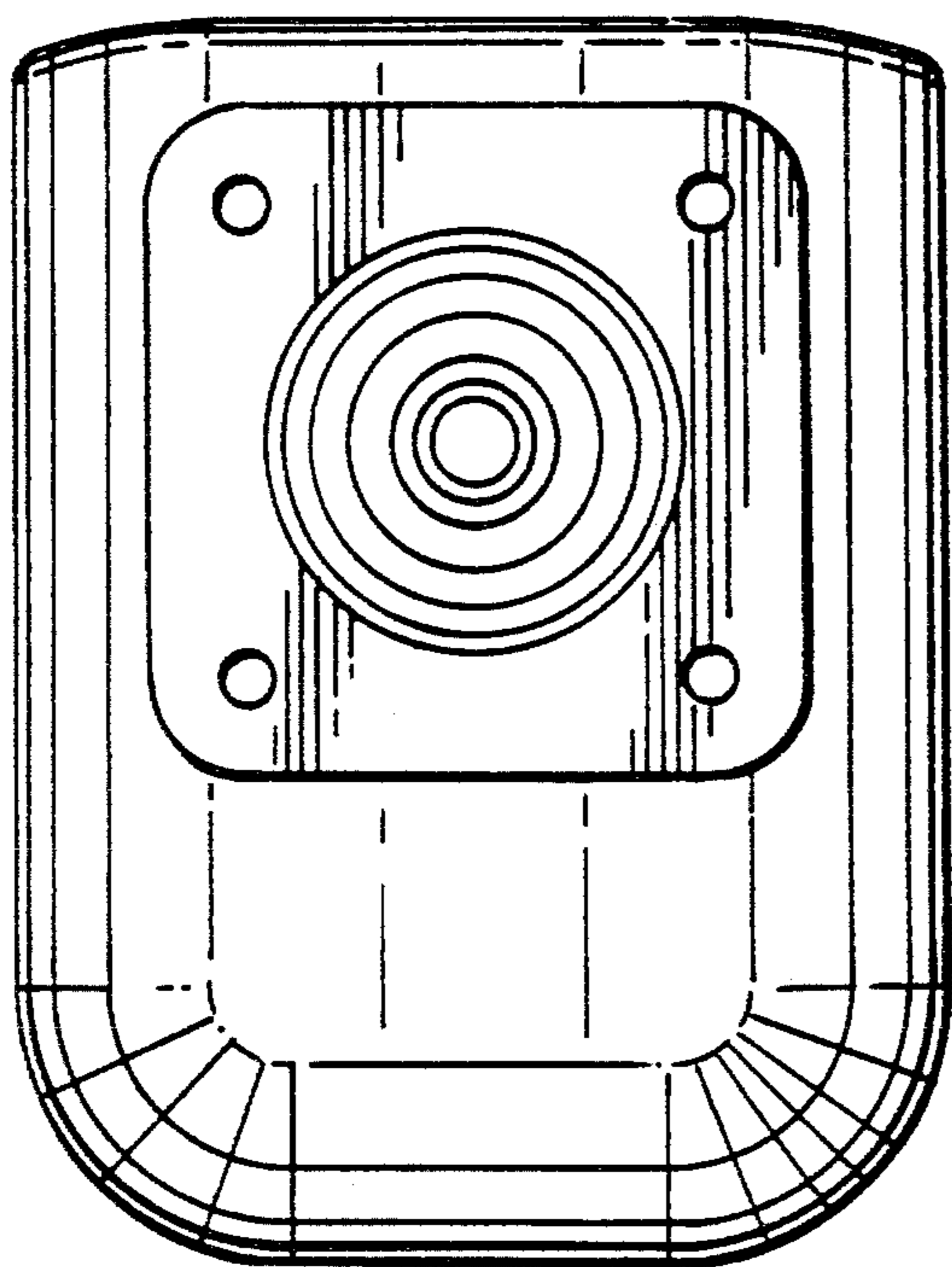


Fig. 3.

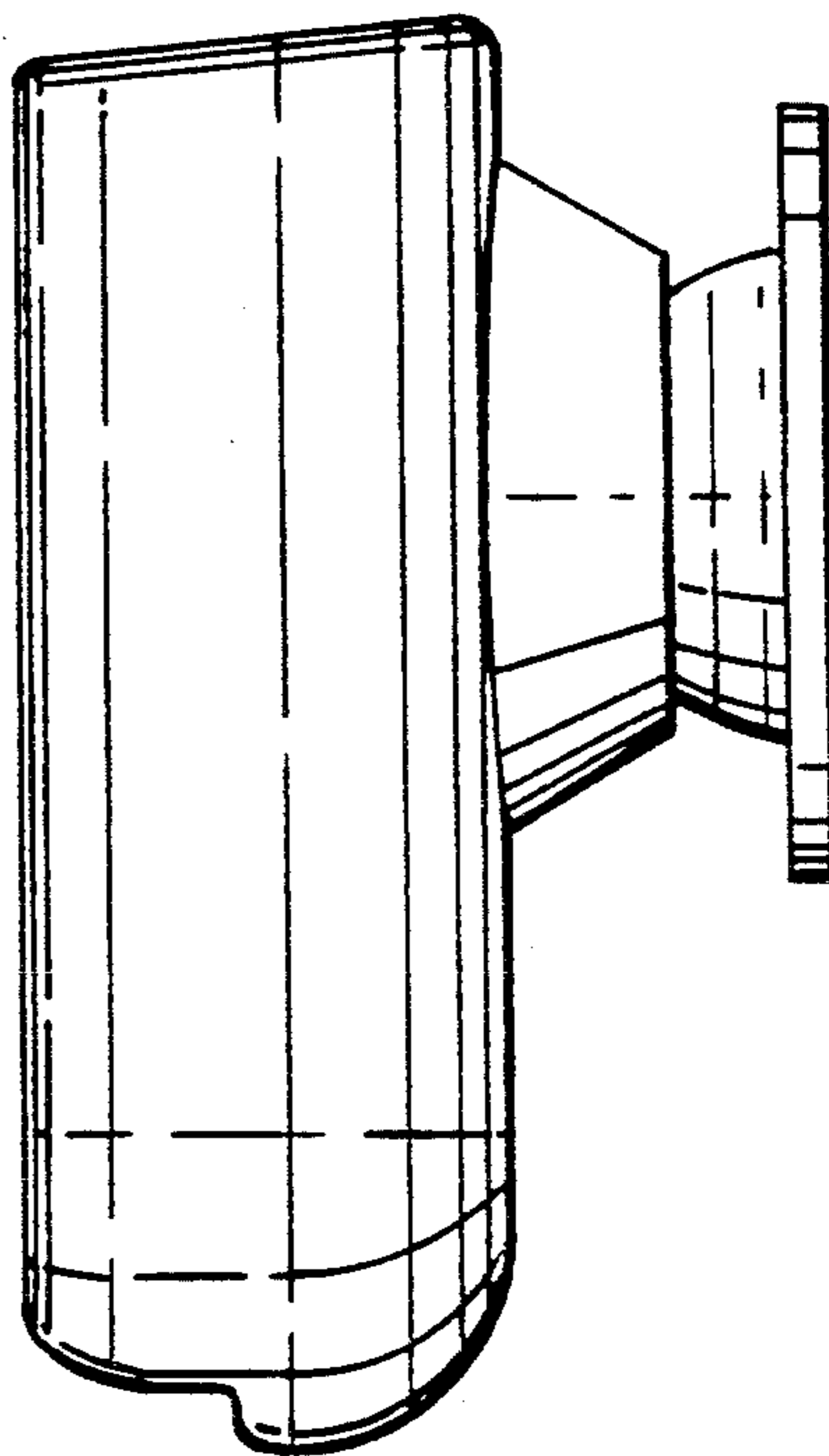


Fig. 4.

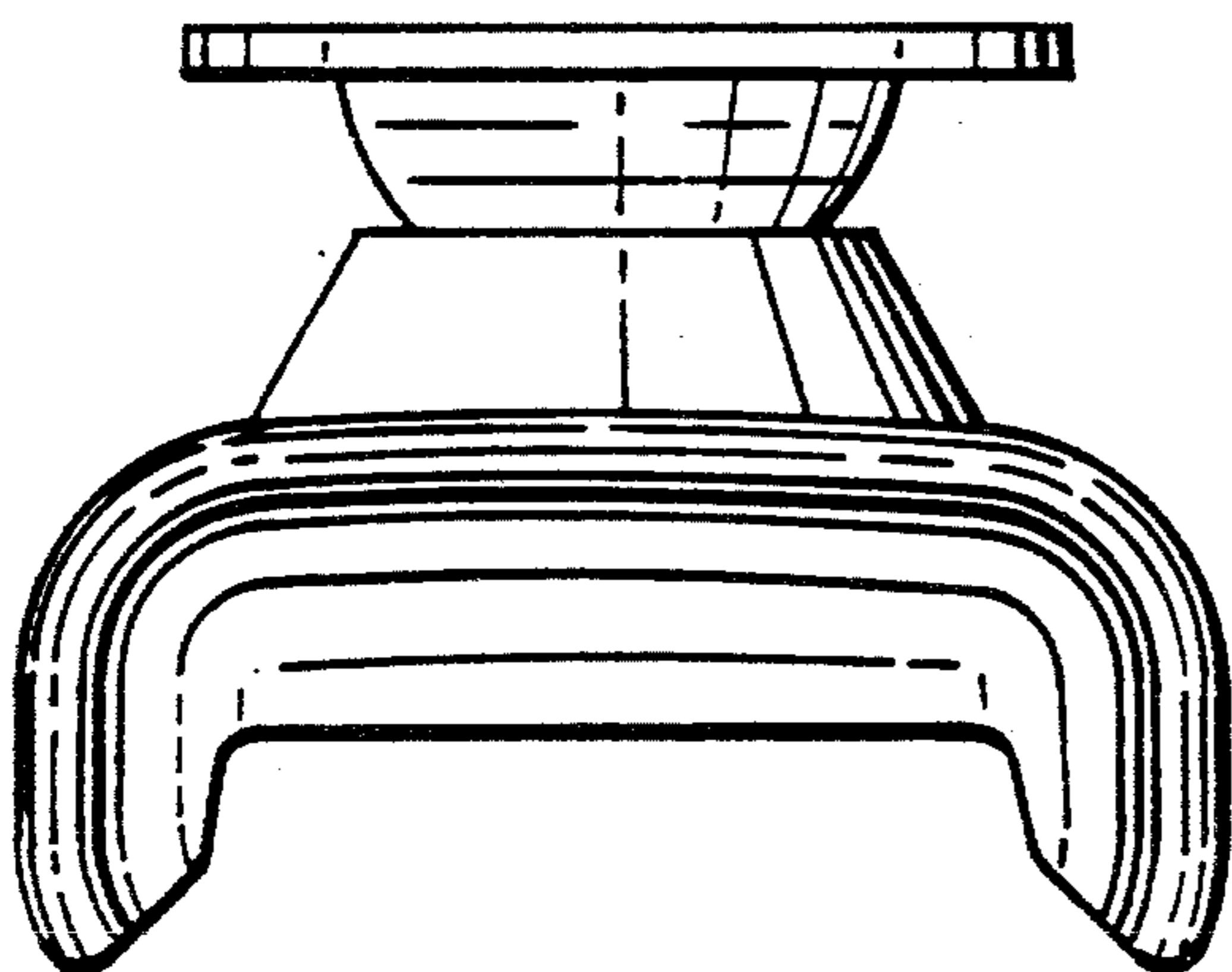


Fig. 5.

