

[54] ANTENNA

[76] Inventor: David Barrett, P.O. Box 9516, Pompano Beach, Fla. 33060

[\*\*] Term: 14 Years

[21] Appl. No.: 353,520

[22] Filed: May 16, 1989

[52] U.S. Cl. .... D14/234; D14/230

[58] Field of Search ..... D14/230-238, D14/299; 343/702, 705, 708, 711, 713, 715, 720, - 741, 744, 749, 752, 757, 766, 797, 829, 840, 846, 872, 873, 878, 882, 887, 888, 892, 900, 901, 903

[56] References Cited

U.S. PATENT DOCUMENTS

D. 209,750 1/1968 Bogner ..... D14/230

D. 289,163 4/1987 Eriksson ..... D14/230  
2,289,856 7/1942 Alford ..... 343/744 X

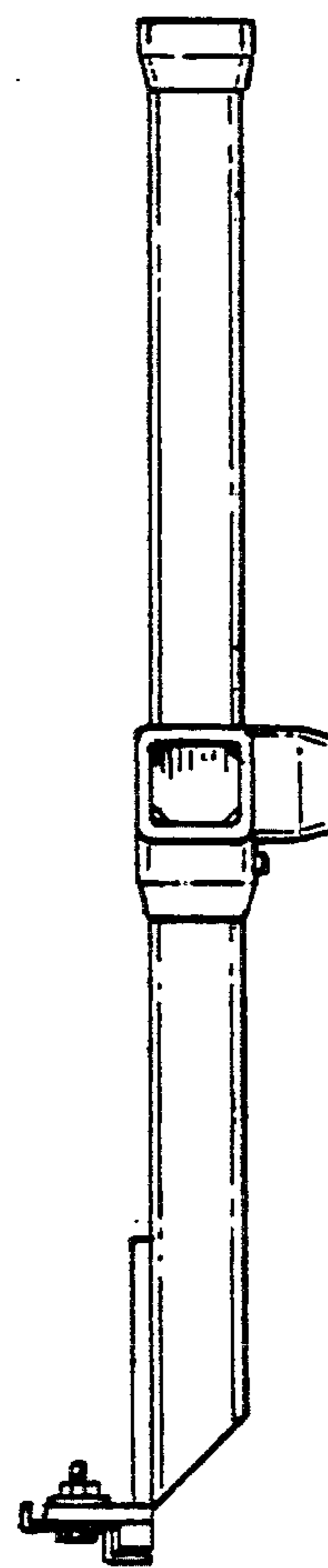
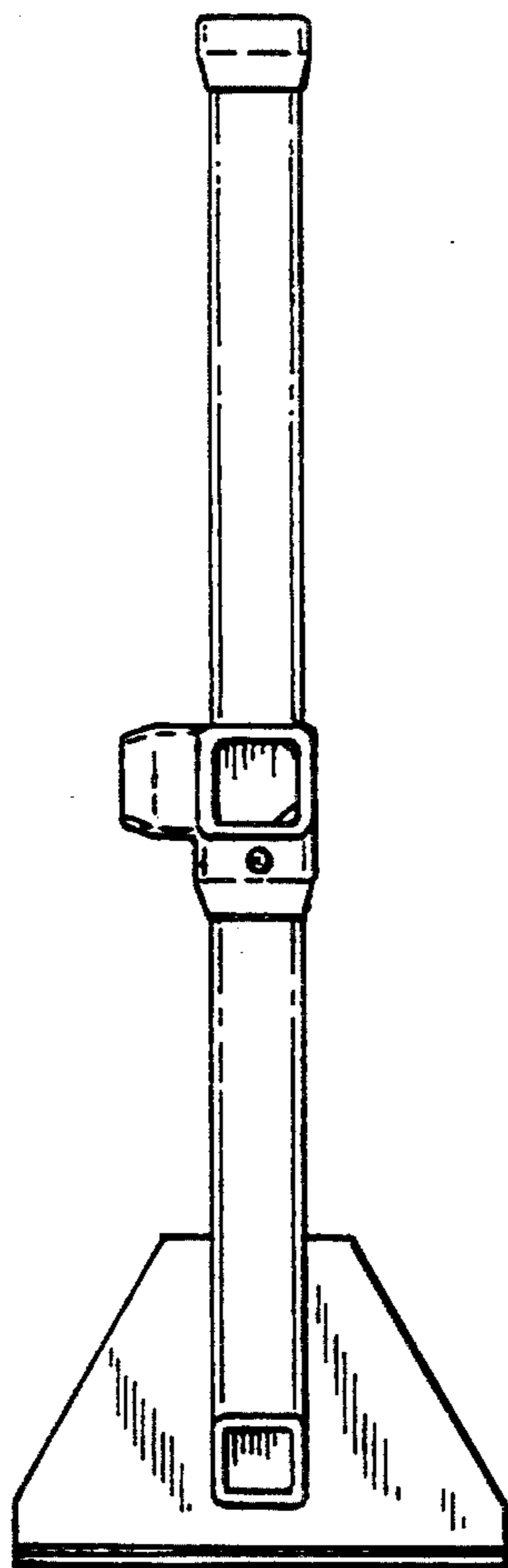
Primary Examiner—Theodore M. Shooman  
Attorney, Agent, or Firm—Malin, Haley, McHale,  
DiMaggio & Crosby

[57] CLAIM

The ornamental design for an antenna, as shown and described.

DESCRIPTION

FIG. 1 is a front elevational view of an antenna showing my new design;  
FIG. 2 is a rear elevational view thereof;  
FIG. 3 is a left side elevational view thereof;  
FIG. 4 is a right side elevational view thereof;  
FIG. 5 is a top plan view thereof; and  
FIG. 6 is a bottom plan view thereof.



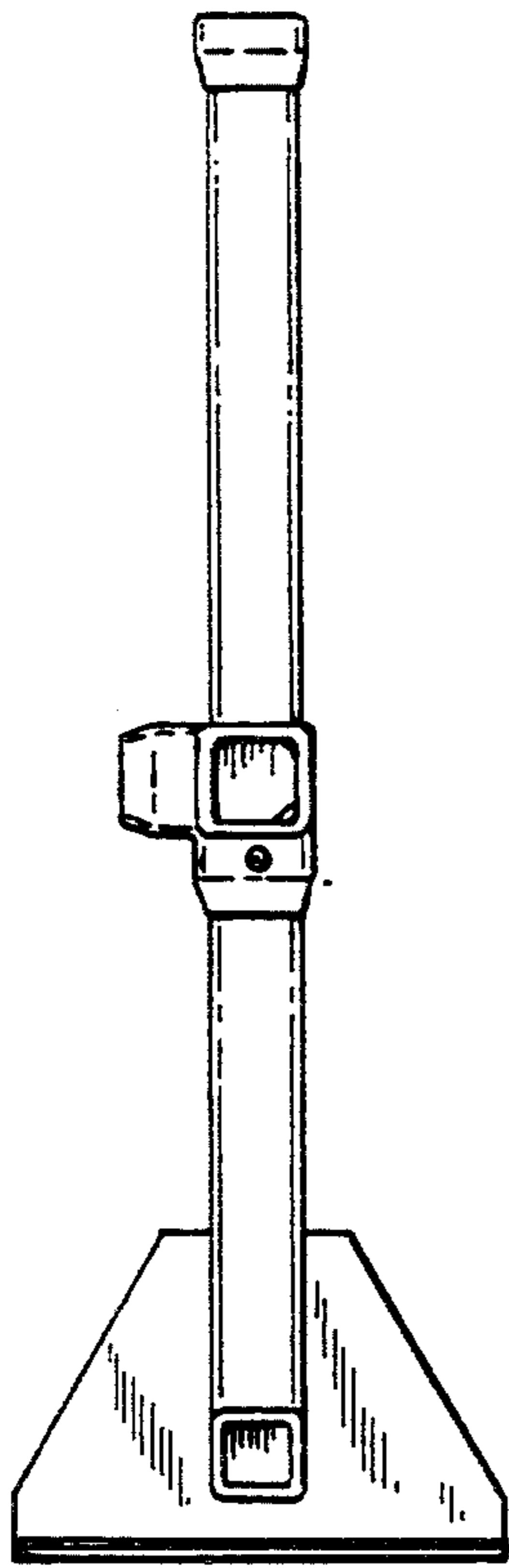


FIG. 1.

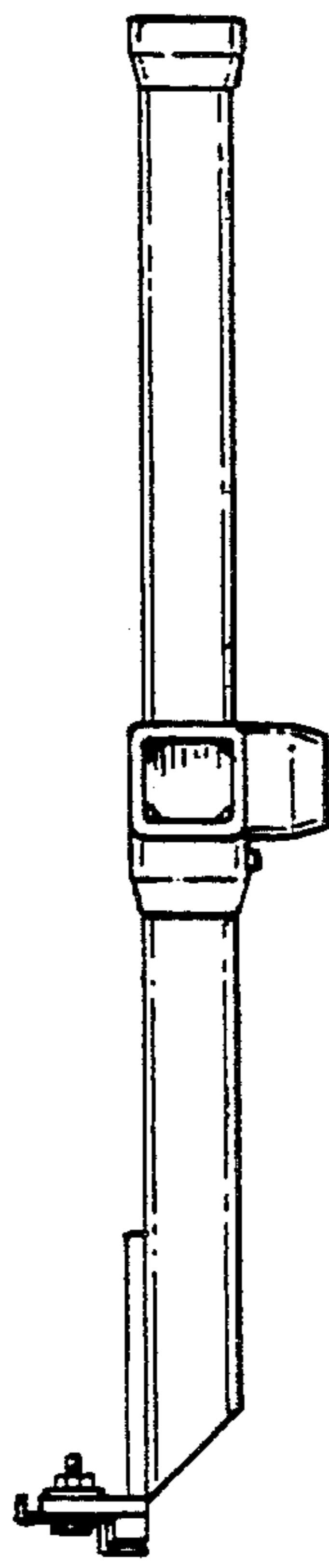


FIG. 3.

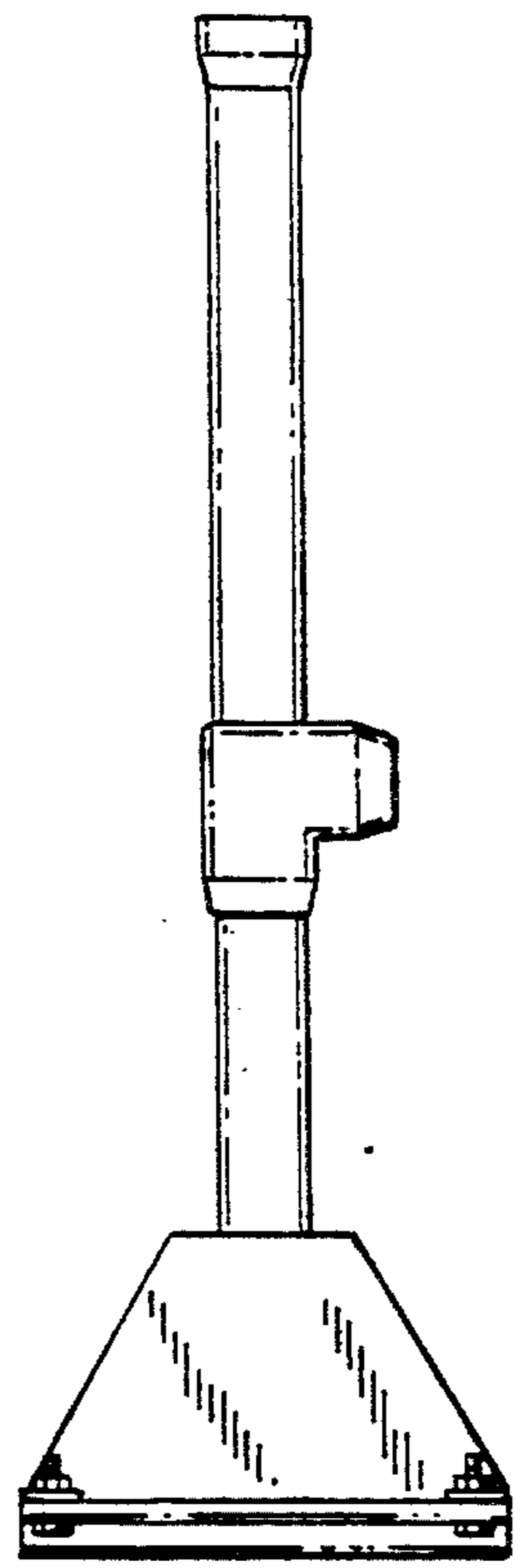


FIG. 2.

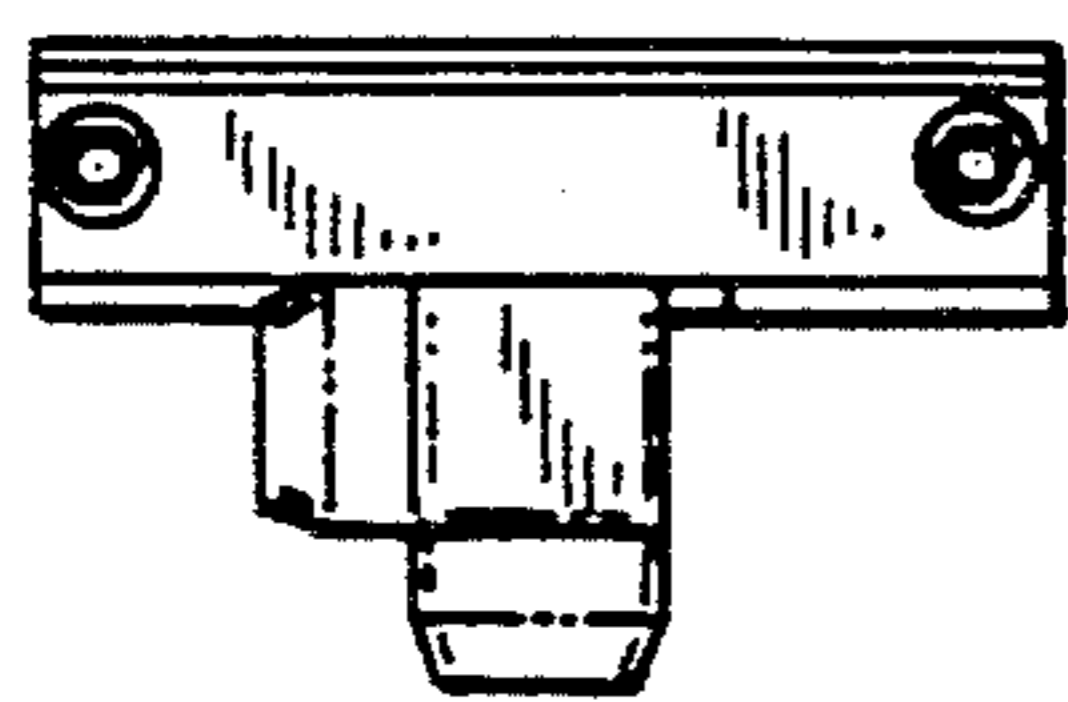


FIG. 5.

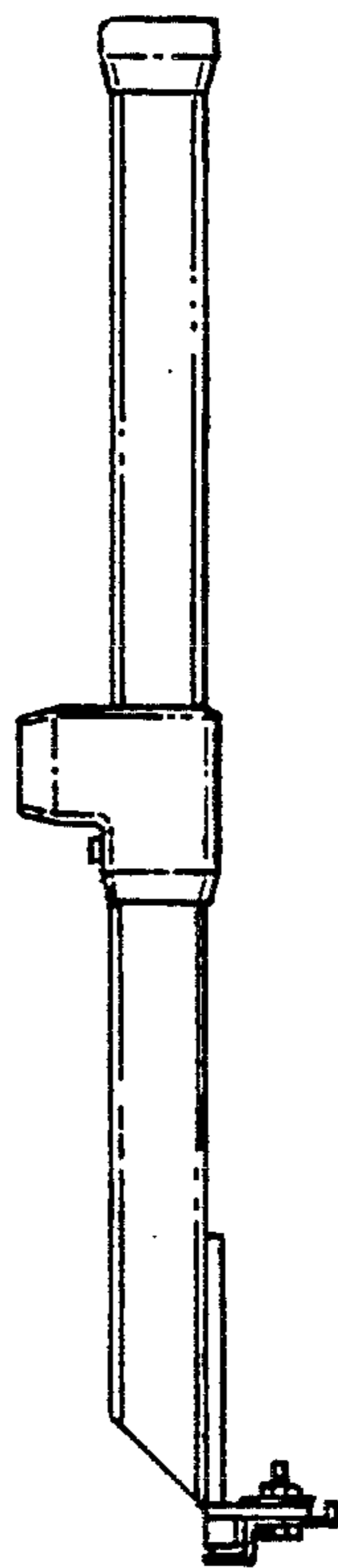


FIG. 4.

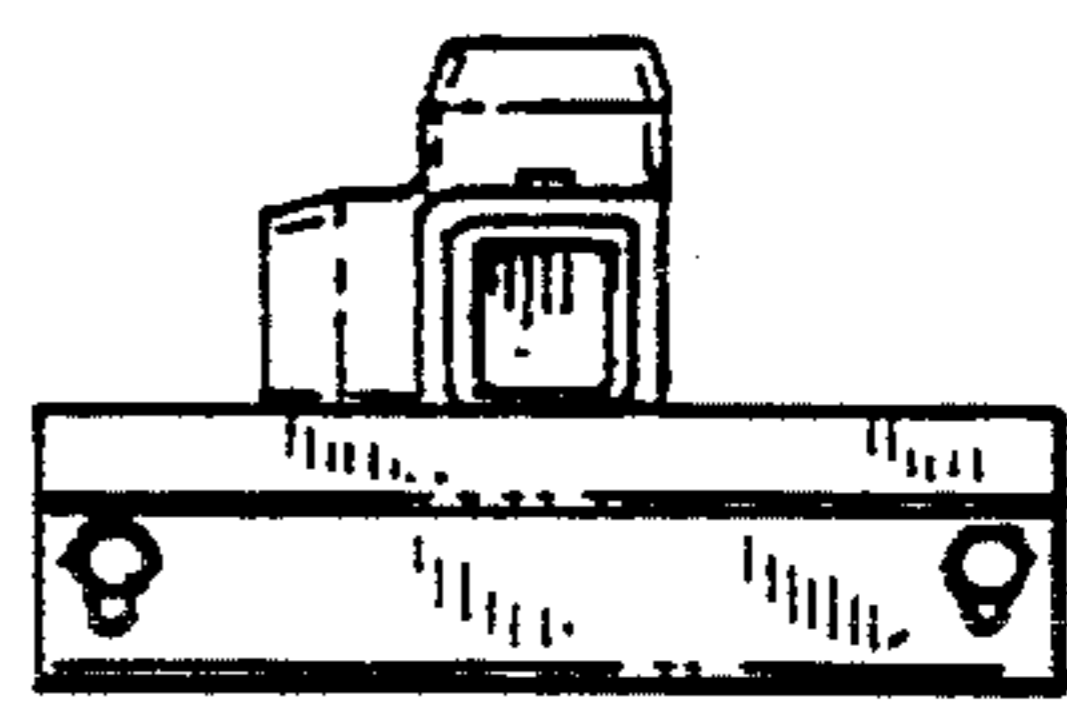


FIG. 6.