

[54] RADIO RECEIVER

[76] Inventor: Liu M. Huei, 8F-2, No. 6, Min Sheng W. Rd., Taipei, Taiwan

[\*\*] Term: 14 Years

[21] Appl. No.: 450,725

[22] Filed: Dec. 13, 1989

[52] U.S. Cl. .... D14/196; D14/194

[58] Field of Search ..... D14/136, 156, 163, 165, D14/168-171, 175-176, 188-198; 455/92, 100, 128, 344, 350-351; 312/7.1

[56] References Cited

U.S. PATENT DOCUMENTS

- D. 219,622 12/1970 Culbertson ..... D14/194
- D. 224,156 7/1972 Hunter ..... D14/195
- D. 247,188 6/1977 Emmerling ..... D14/196
- D. 290,843 7/1987 Murphy ..... D14/196 X
- D. 306,588 3/1990 Kashiwagi ..... D14/163

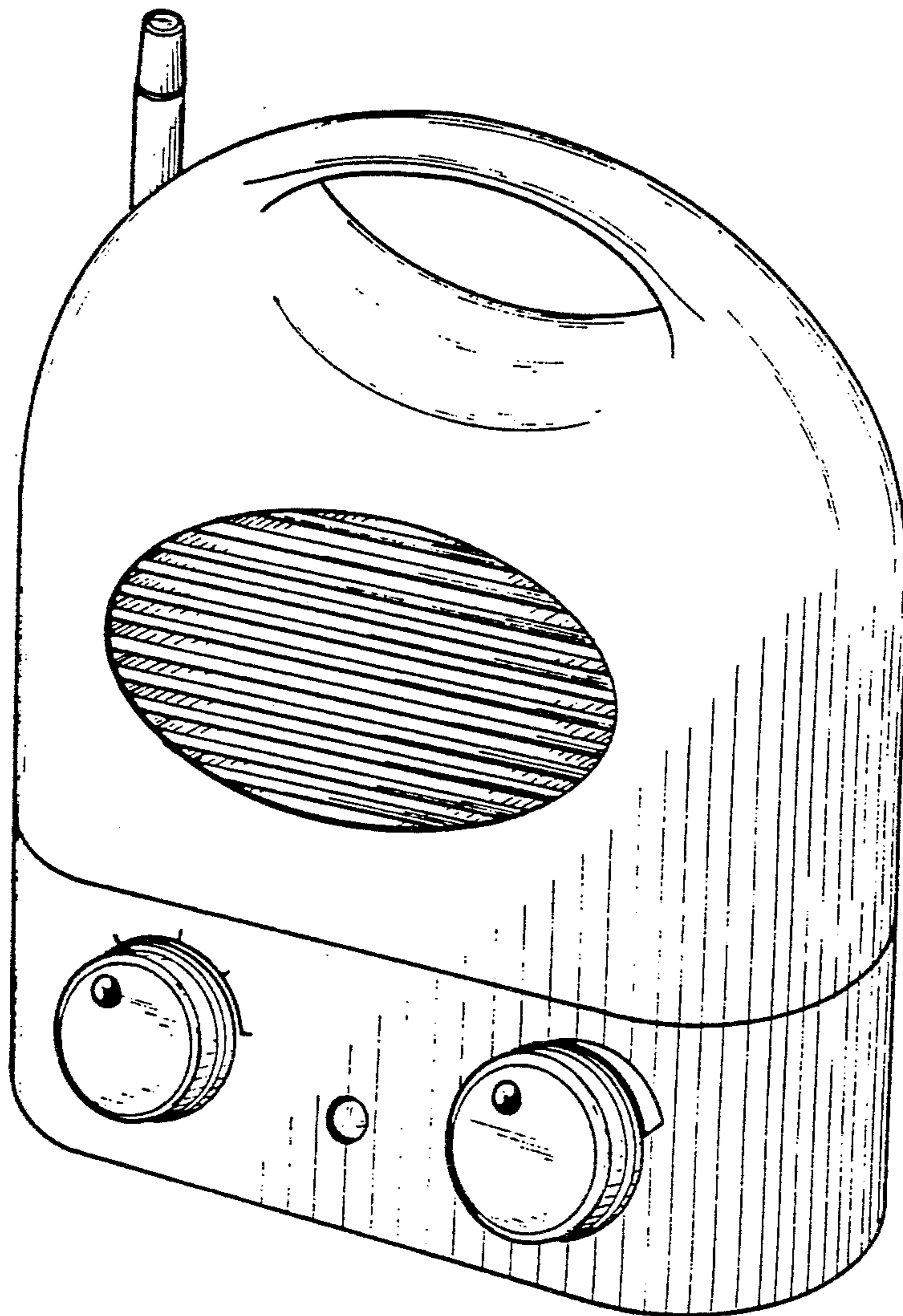
Primary Examiner—Theodore M. Shooman  
Attorney, Agent, or Firm—McGlew & Tuttle

[57] CLAIM

The ornamental design for a radio receiver, as shown and described.

DESCRIPTION

FIG. 1 is a top, front and right side perspective view of a radio receiver showing my new design;  
 FIG. 2 is a front elevational view thereof;  
 FIG. 3 is a rear elevational view thereof;  
 FIG. 4 is a right side elevational view thereof;  
 FIG. 5 is a left side elevational view thereof;  
 FIG. 6 is a top plan view thereof;  
 FIG. 7 is a bottom plan view thereof;  
 FIG. 8 is a top, front and left side perspective view thereof, with the cover removed for clarity of illustration; and  
 FIG. 9 is a top, rear and left side perspective view thereof, with the cover removed for clarity of illustration.



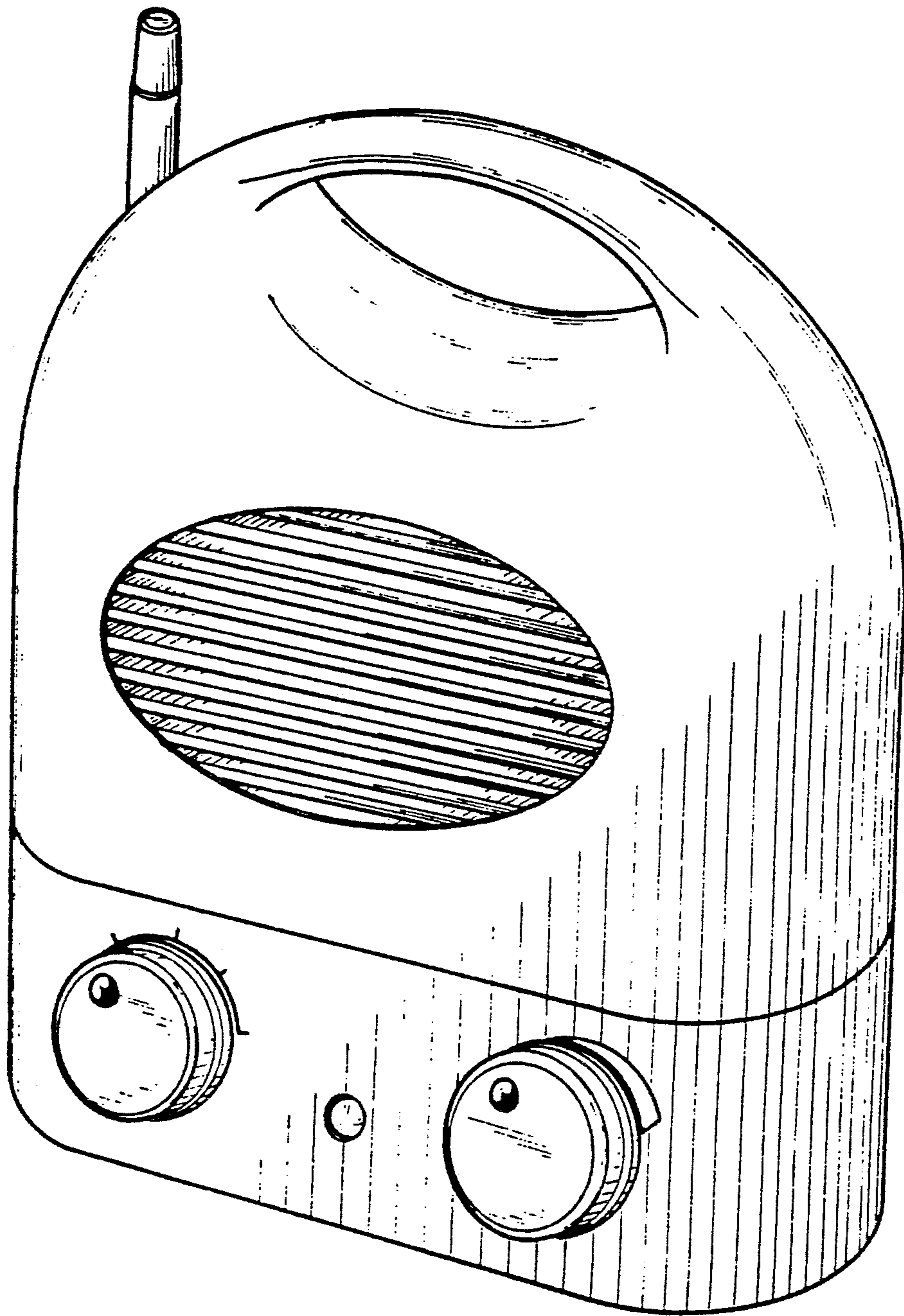


FIG 1

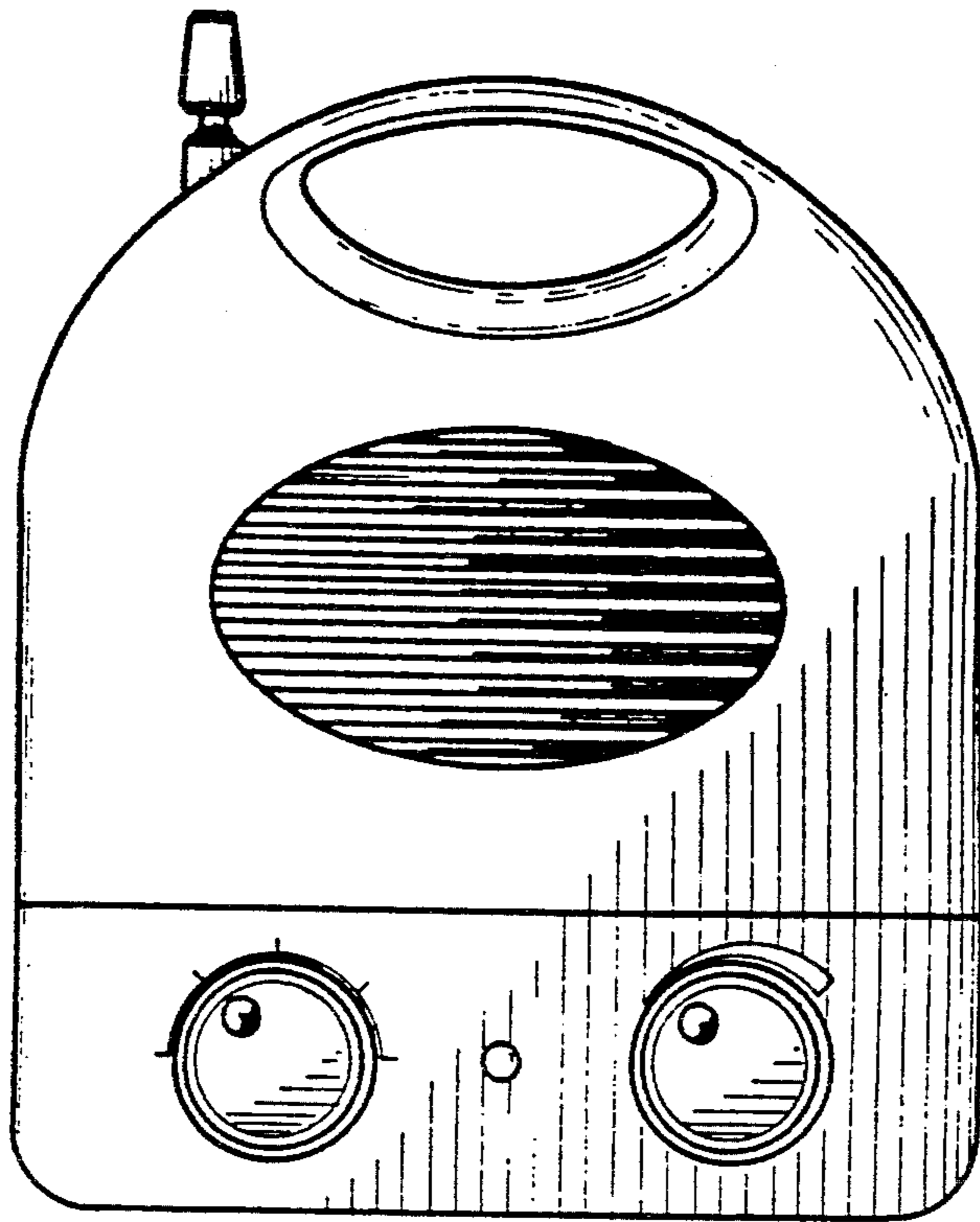


FIG 2

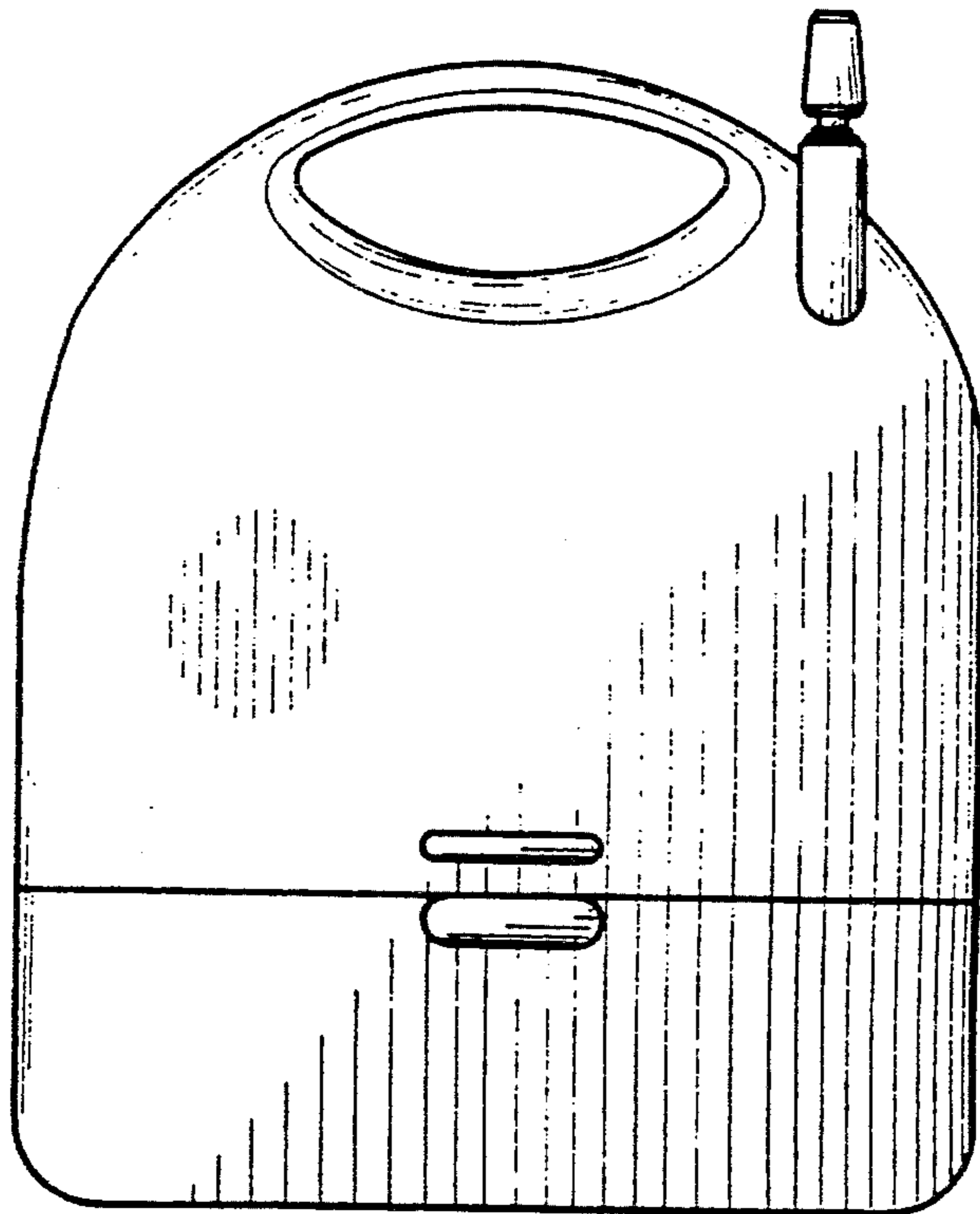


FIG 3

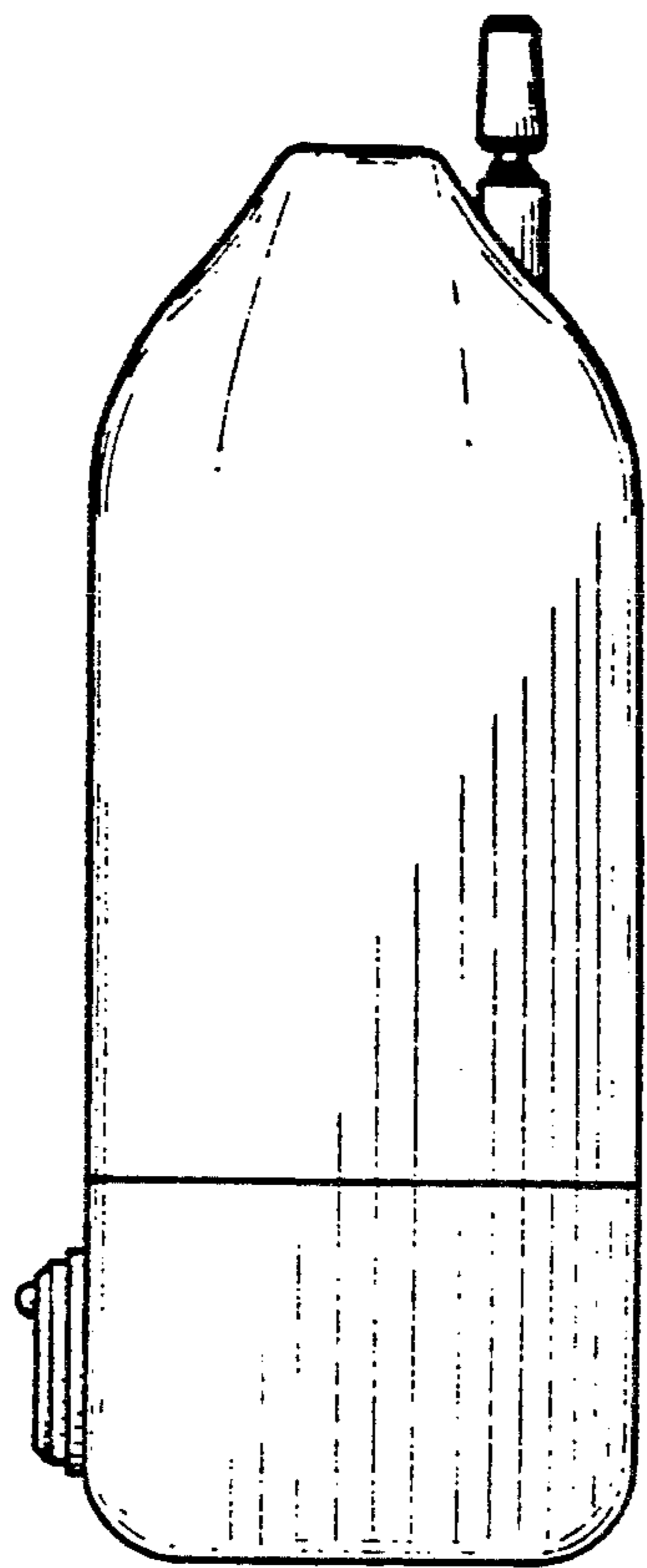


FIG 4

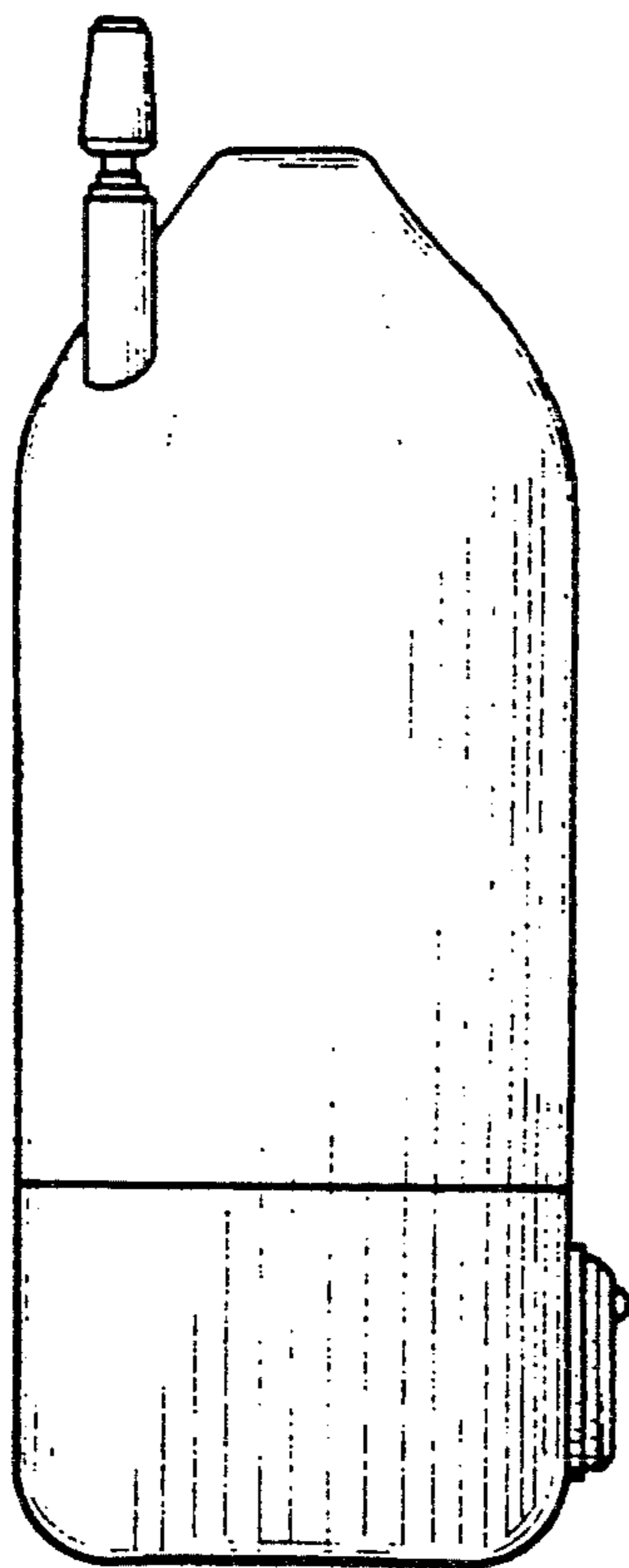


FIG 5

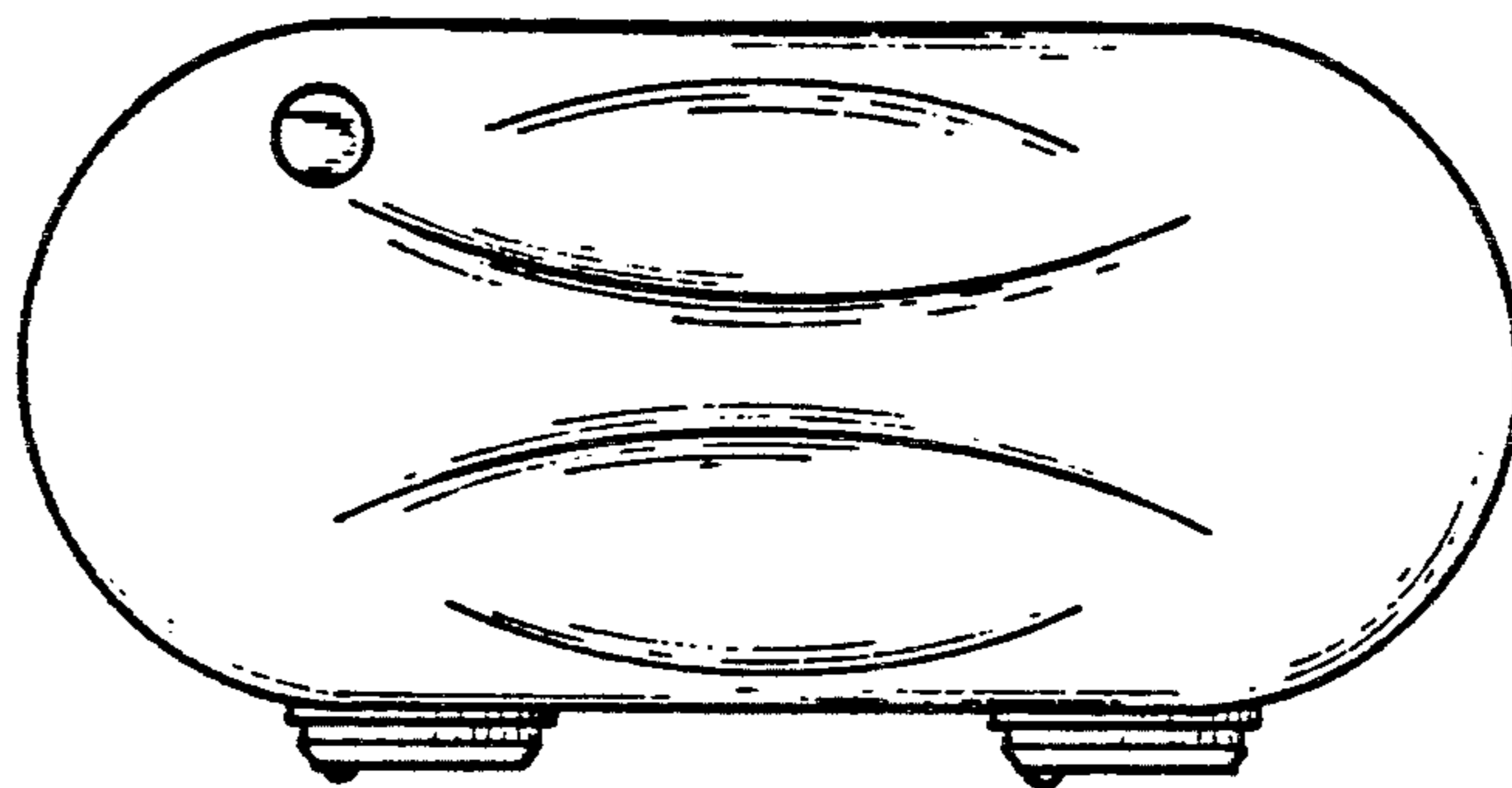


FIG 6

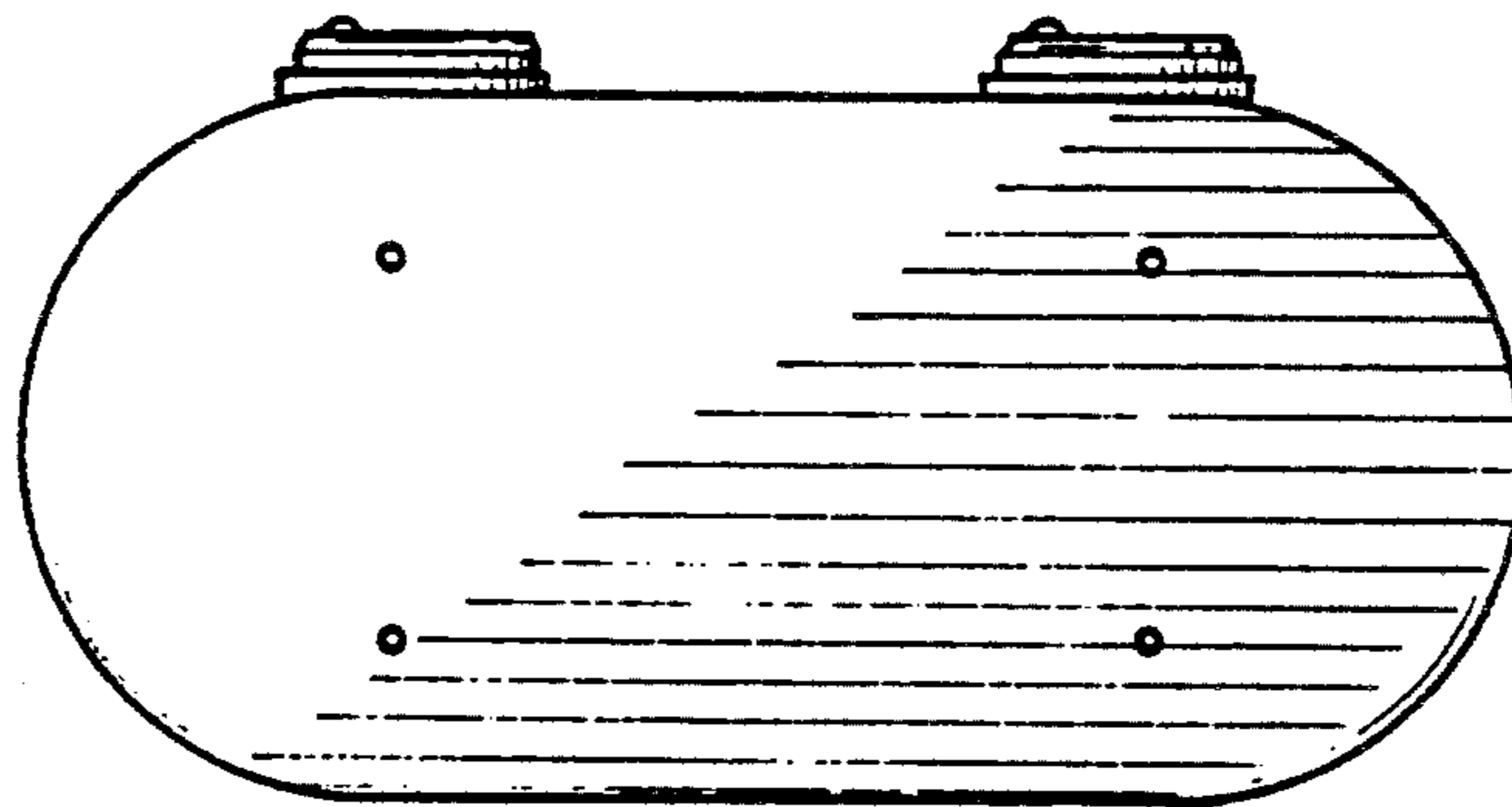


FIG 7

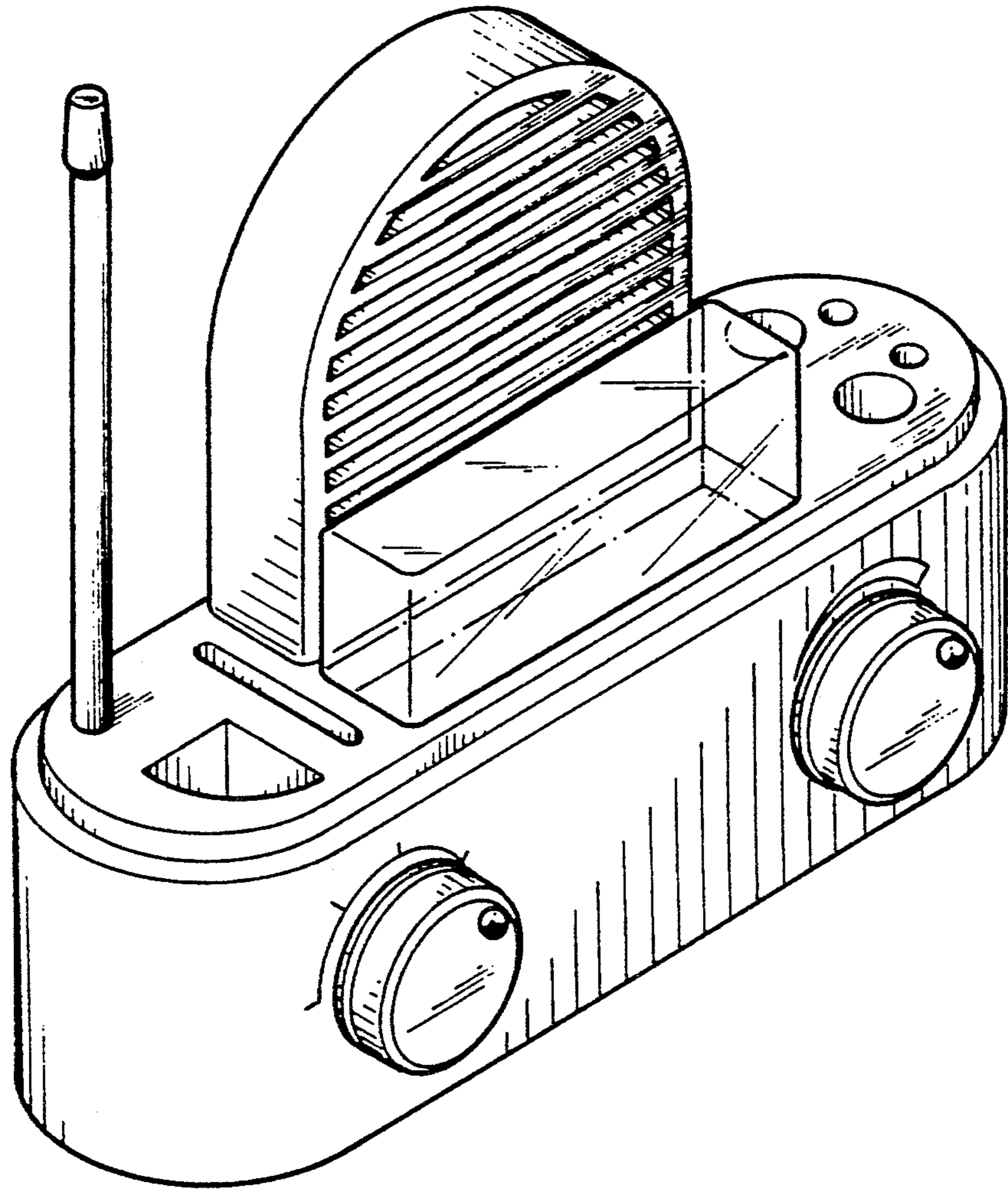


FIG 8

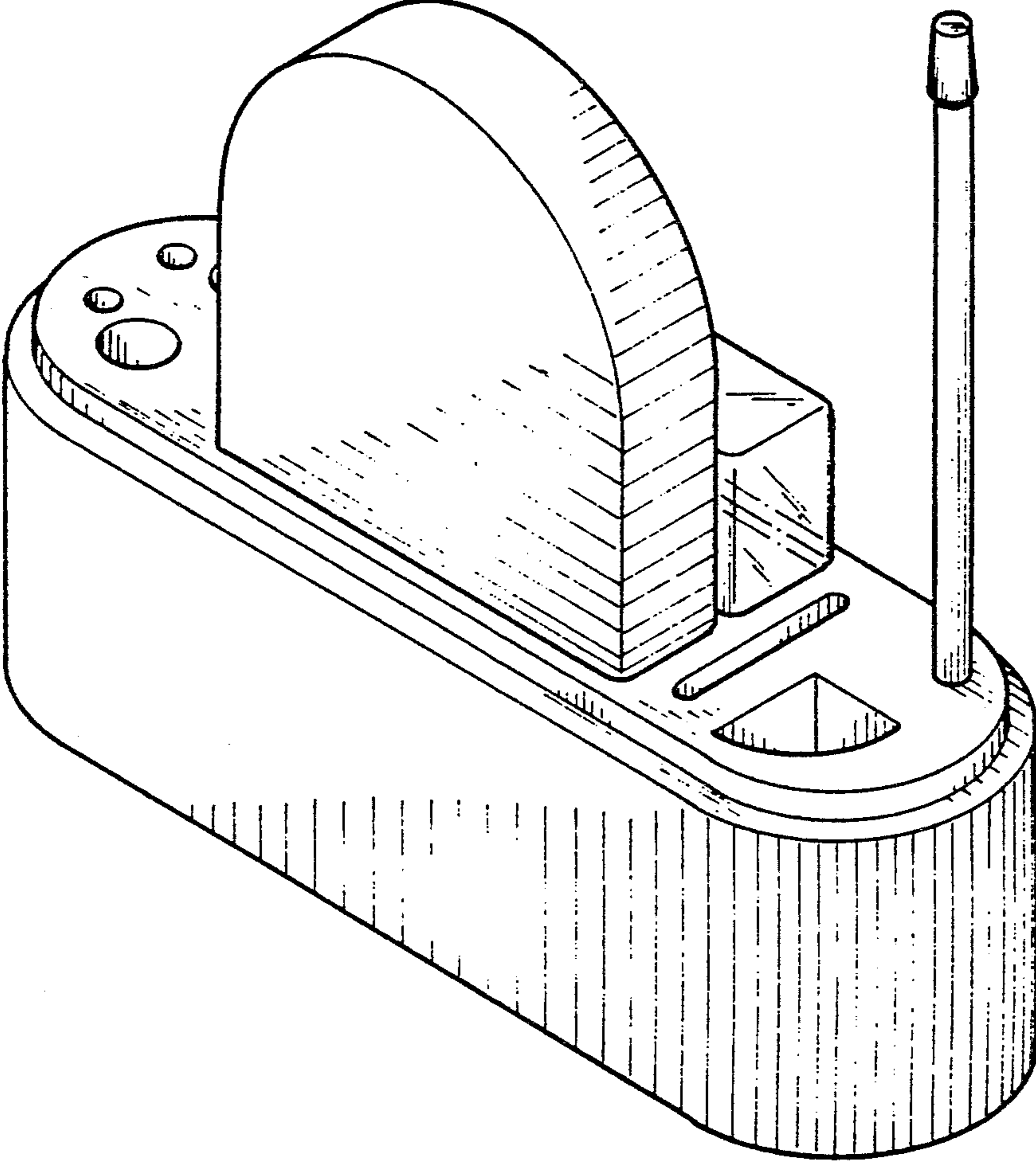


FIG 9