

[54] VIDEO TELEPHONE SET

[75] Inventors: Robert L. Beecher, II; Anthony J. Grewe, both of Fishers, Ind.; Jonathan A. Marks, New York, N.Y.; John N. McGarvey, Drexel Hill, Pa.; Louis D. Vining, Indianapolis, Ind.; Michael P. Zambelli, Livingston, N.J.

[73] Assignee: AT&T Bell Laboratories, Murray Hill, N.J.

[\*\*] Term: 14 Years

[21] Appl. No.: 618,327

[22] Filed: Nov. 23, 1990

[52] U.S. Cl. .... D14/130; D14/142; D14/151

[58] Field of Search ..... D14/130, 151, 241, 142; 379/53, 436, 434

[56] References Cited

U.S. PATENT DOCUMENTS

- D. 271,972 12/1983 Genaro et al. .... D14/149
D. 275,196 8/1984 Huang ..... D14/130
D. 281,423 11/1985 Oshima et al. .... D14/58
D. 281,880 12/1985 Kashima et al. .... D14/81
D. 290,602 6/1987 Offredi ..... D14/151
D. 290,700 1/1987 Lindahl ..... D14/151
D. 293,790 1/1988 Hilmer ..... D14/151 X
D. 294,694 3/1988 Steward ..... D14/53
D. 296,891 7/1988 Taniuchi et al. .... D14/130
D. 298,130 10/1988 Komatsu ..... D14/151
D. 300,320 3/1989 Watanabe et al. .... D14/151 X

- D. 306,026 2/1990 Barptiw ..... D14/151 X
D. 306,165 2/1990 Hikawa ..... D14/151
D. 306,295 2/1990 Nagele ..... D14/151
D. 306,444 3/1990 Fried et al. .... D14/151
D. 306,586 3/1990 Vallejo ..... D14/151
D. 308,970 7/1990 Takai et al. .... D14/130
D. 310,524 9/1990 Utsuki et al. .... D14/151 X
D. 311,004 10/1990 Iwama ..... D14/129
4,715,059 12/1987 Cooper-Hart et al. .... 379/53

FOREIGN PATENT DOCUMENTS

3329493 9/1984 Fed. Rep. of Germany ..... 379/53

OTHER PUBLICATIONS

Application Ser. No.: 07/564,230 Filed: 08/08/90 Title: Video Telephone Station.

Primary Examiner—Horace B. Fay, Jr.
Attorney, Agent, or Firm—Michael A. Morra

[57] CLAIM

The ornamental design for a video telephone set, as shown and described.

DESCRIPTION

FIG. 1 is a top, front and right side perspective view of a video telephone set showing our new design; FIG. 2 is a top plan view thereof; FIG. 3 is a front elevational view thereof; FIG. 4 is a left-side elevational view thereof; FIG. 5 is a right-side elevational view thereof; and FIG. 6 is a rear elevational view thereof. The broken line showing of keys, lights, etc. is for illustrative purposes only and forms no part of the claimed design.

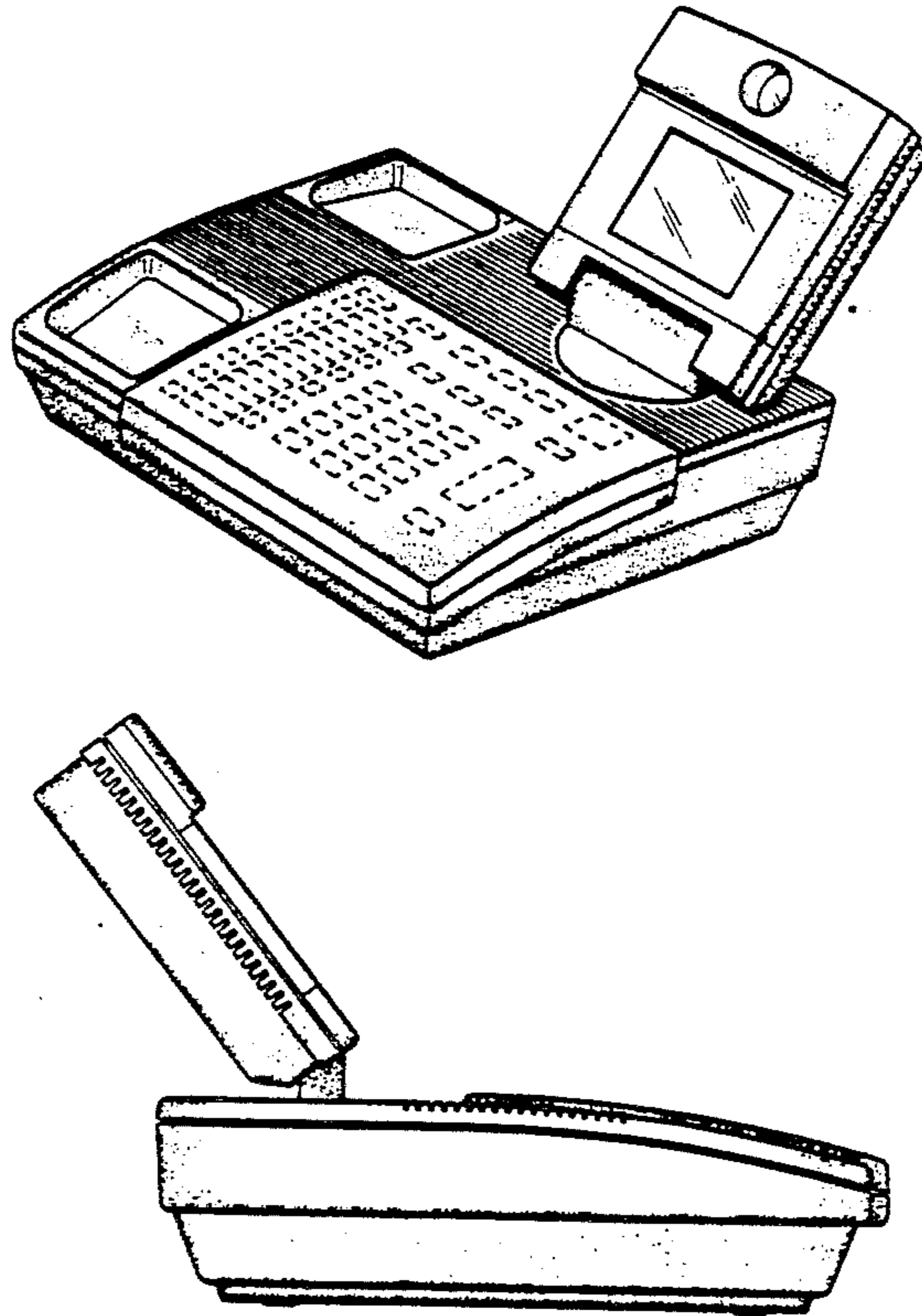


Fig. 1

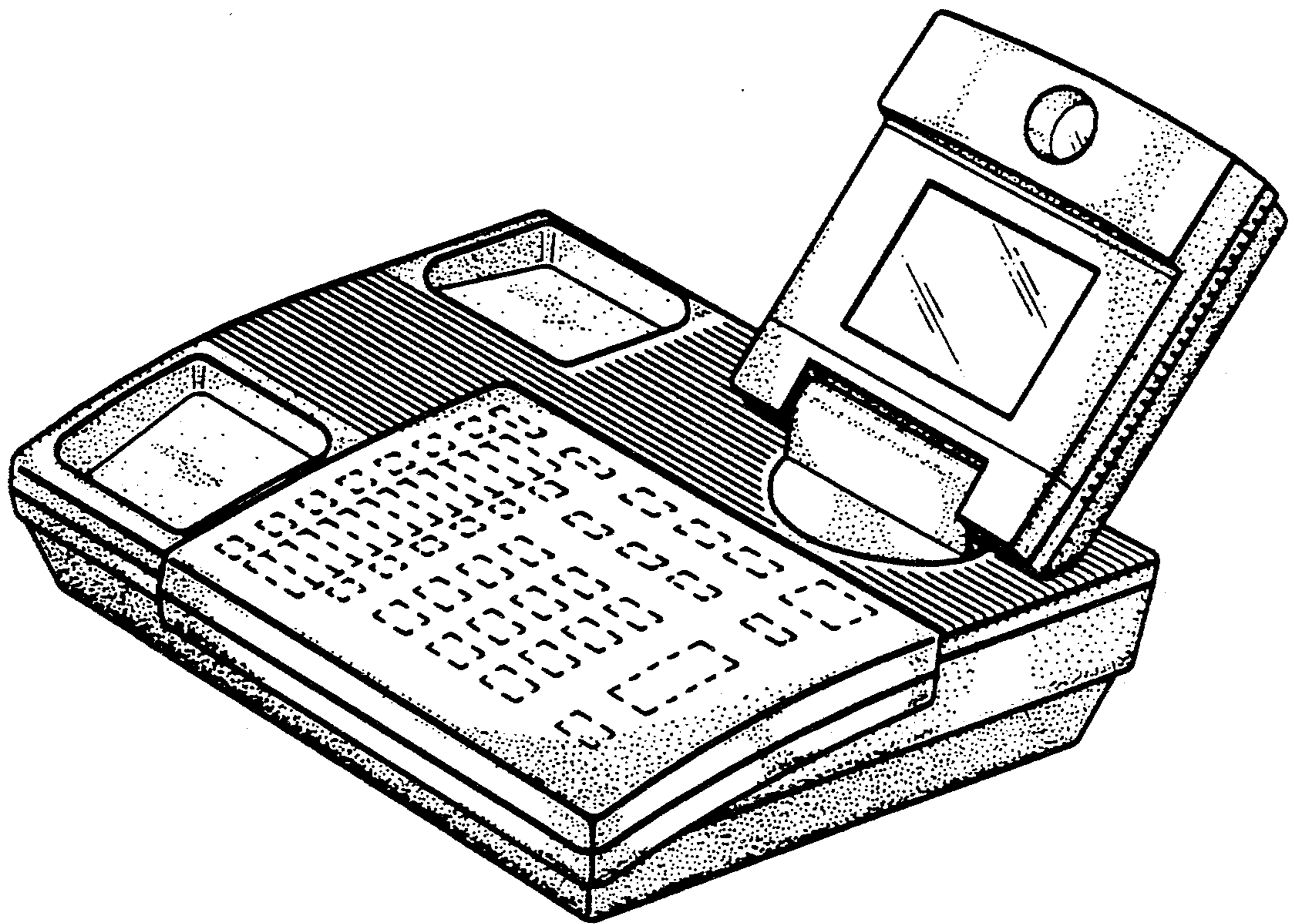


Fig. 2

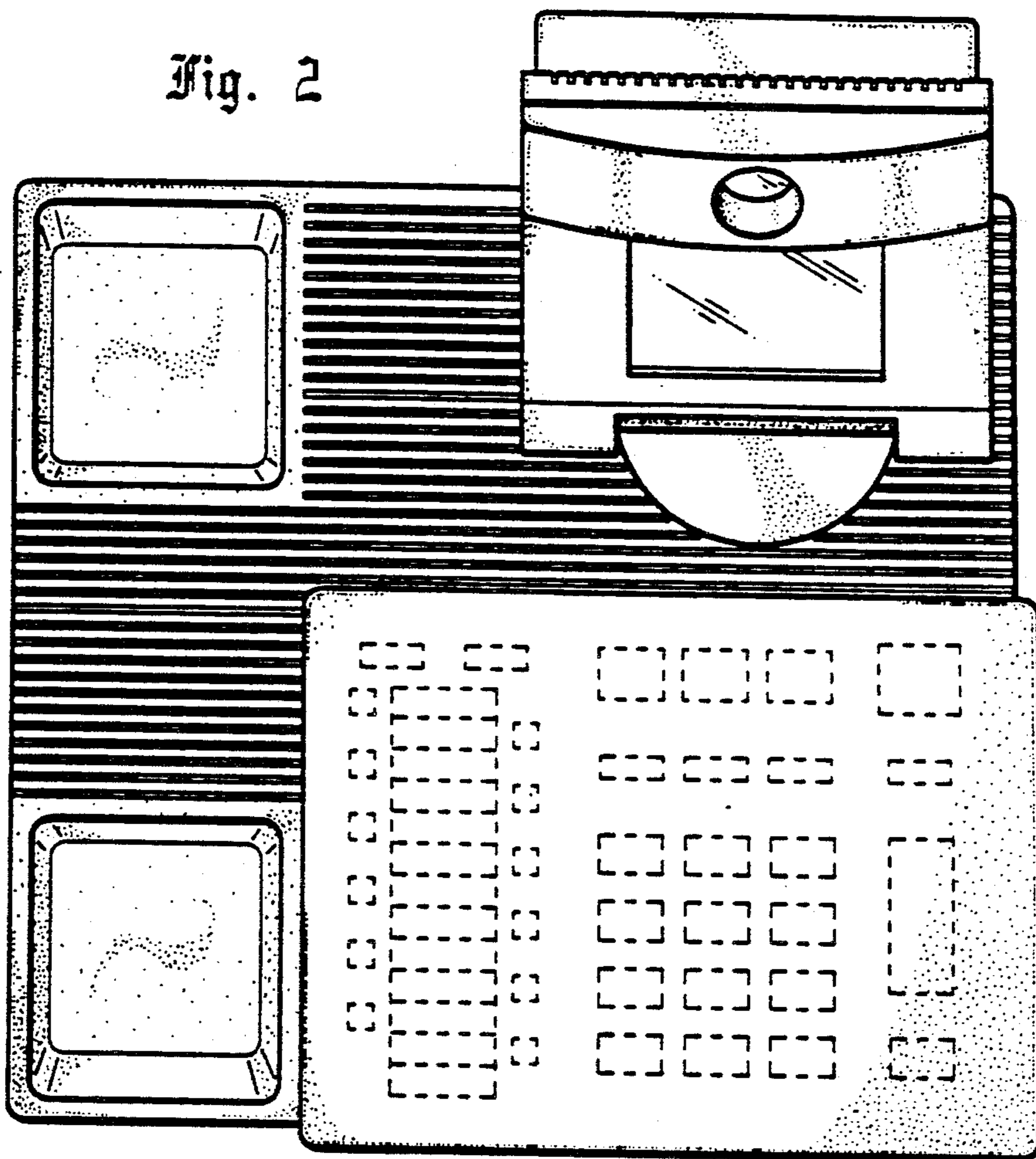
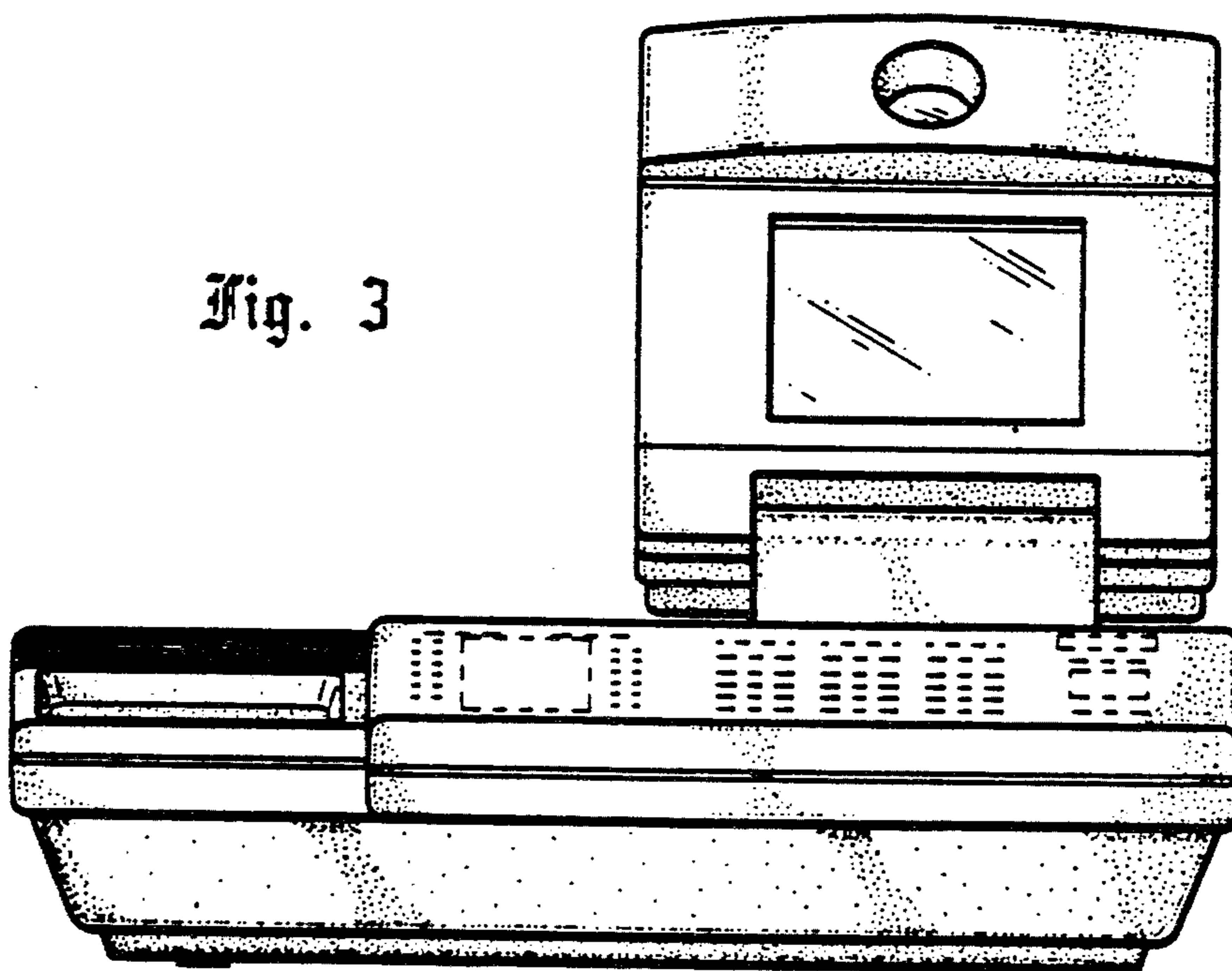
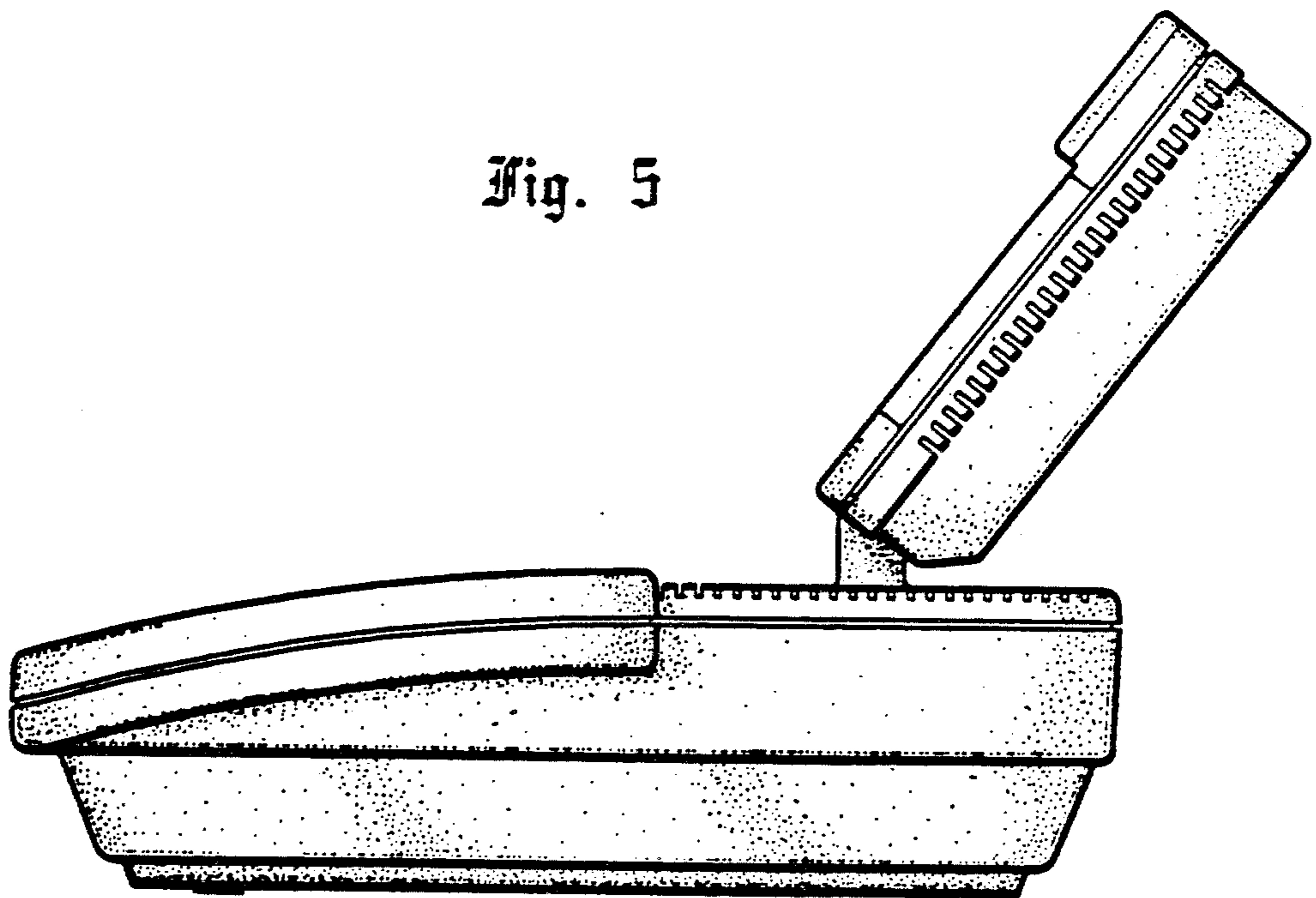
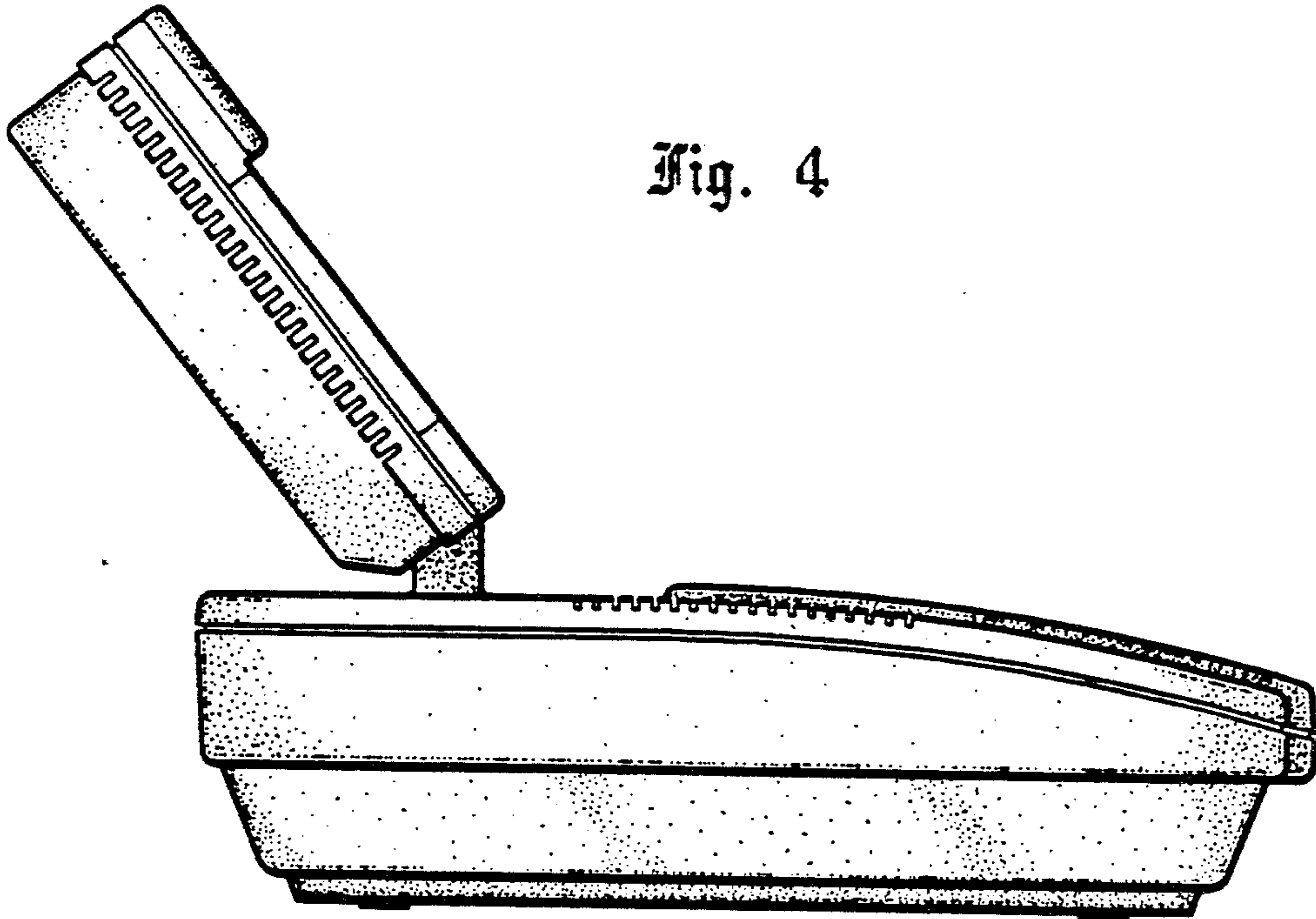


Fig. 3





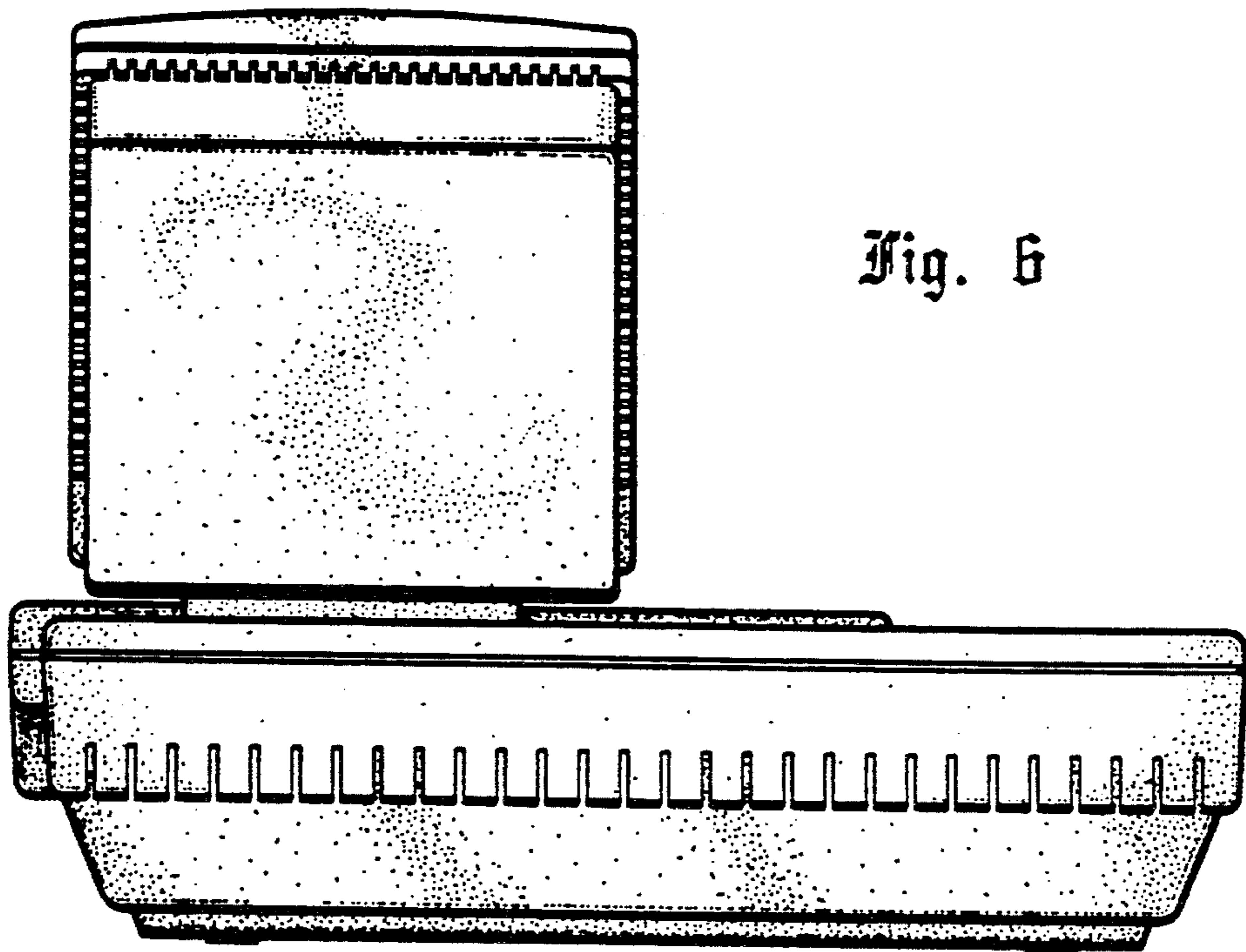


Fig. 6