

[54] GUIDING TROUGH, 90 DEGREE UP ELBOW FOR OPTICAL FIBERS

[76] Inventor: Roy Henneberger, 1596 Clemson Dr., Eagan, Minn. 55122

[**] Term: 14 Years

[21] Appl. No.: 387,649

[22] Filed: Jul. 31, 1989

[52] U.S. Cl. D13/155

[58] Field of Search D13/152, 155; D34/28; D23/267, 200, 393; D30/131; 248/49, 58, 68.1; 174/21 JS, 35 C, 48, 68.1, 68.3, 69, 72 A, 84 R, 101; 138/155, 156, 157, 177, DIG. 11; 350/96.16, 96.23, 96.3

[56] References Cited

U.S. PATENT DOCUMENTS

1,986,965	1/1935	Frank	174/68.3 X
1,992,574	2/1935	Jenkins	174/68.3 X
3,003,794	10/1961	Burley	174/68.3 X
3,351,699	11/1967	Merckle	174/68.3 X
3,485,937	12/1969	Caveney	174/101
4,864,082	9/1989	Ono et al.	174/101 X
4,891,471	1/1990	Ono et al.	174/68.3
4,951,716	8/1990	Tsunoda et al.	174/68.3 X

FOREIGN PATENT DOCUMENTS

2365902	4/1978	France	174/101
---------	--------	--------	---------

0819878	4/1981	U.S.S.R.	174/68.3
0633365	12/1949	United Kingdom	174/68.3
0807341	1/1959	United Kingdom	174/68.3
2156034	10/1985	United Kingdom	138/155

OTHER PUBLICATIONS

Ditel UPL-1000/UPT-1000/Corner Cable Guides Brochure, ©1986.
Tyton, Product Data Bulletin, The Lightguide System.
Panduit Corp., Product Bulletin E-FOA-1, Fiber Optic Cable Accessories.

Primary Examiner—Susan J. Lucas
Assistant Examiner—J. Sincavage
Attorney, Agent, or Firm—Merchant, Gould, Smith, Edell, Welter & Schmidt

[57] CLAIM

The ornamental design for a guiding trough, 90 degree up elbow for optical fibers, as shown.

DESCRIPTION

FIG. 1 is a left side, top and front perspective view of a guiding trough, 90 degree down elbow for optical fibers showing my new design;
FIG. 2 is a front elevational view thereof;
FIG. 3 is a rear elevational view thereof;
FIG. 4 is a top plan view thereof;
FIG. 5 is a bottom plan view thereof;
FIG. 6 is a right side elevational view thereof;
FIG. 7 is a left side elevational view thereof.

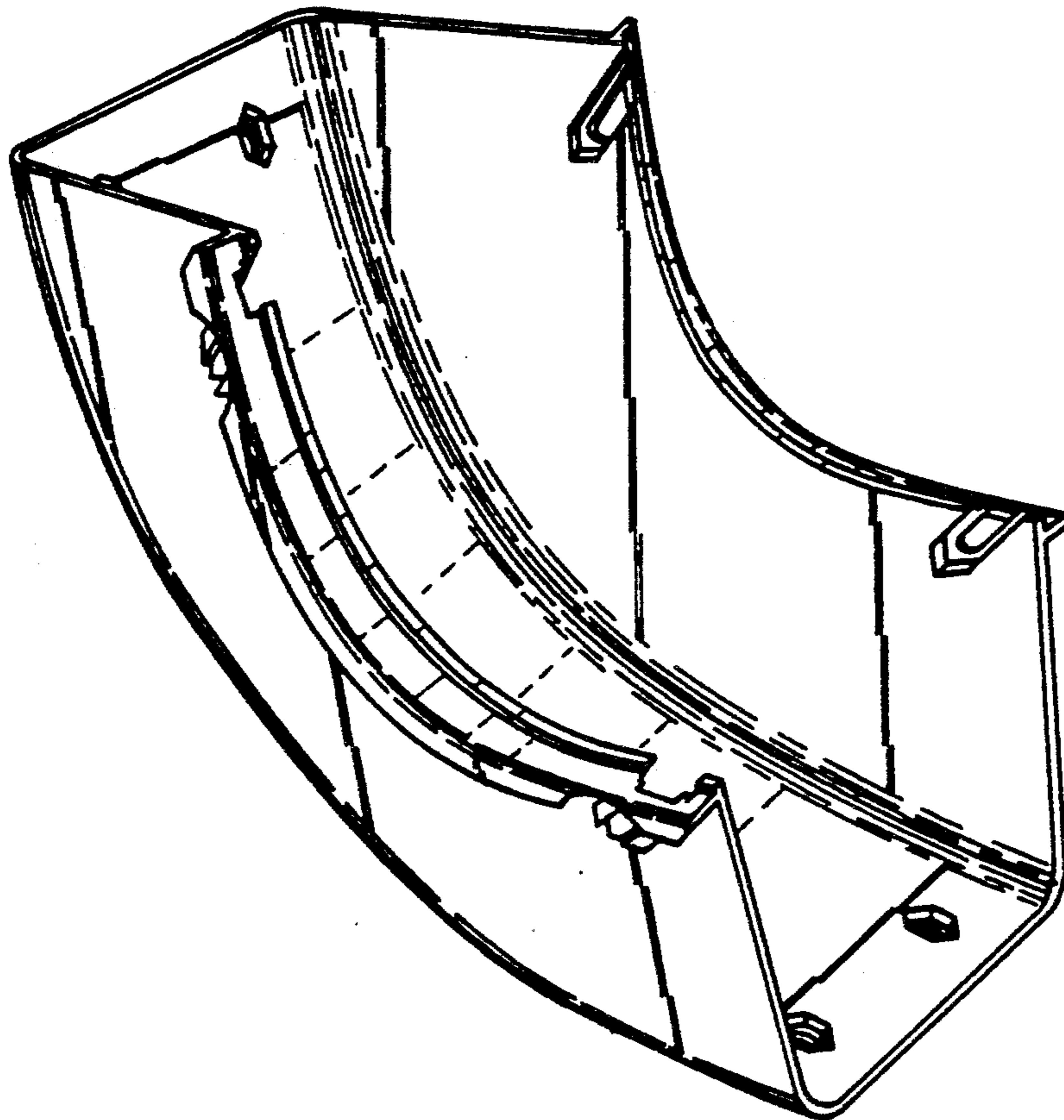


FIG. 1

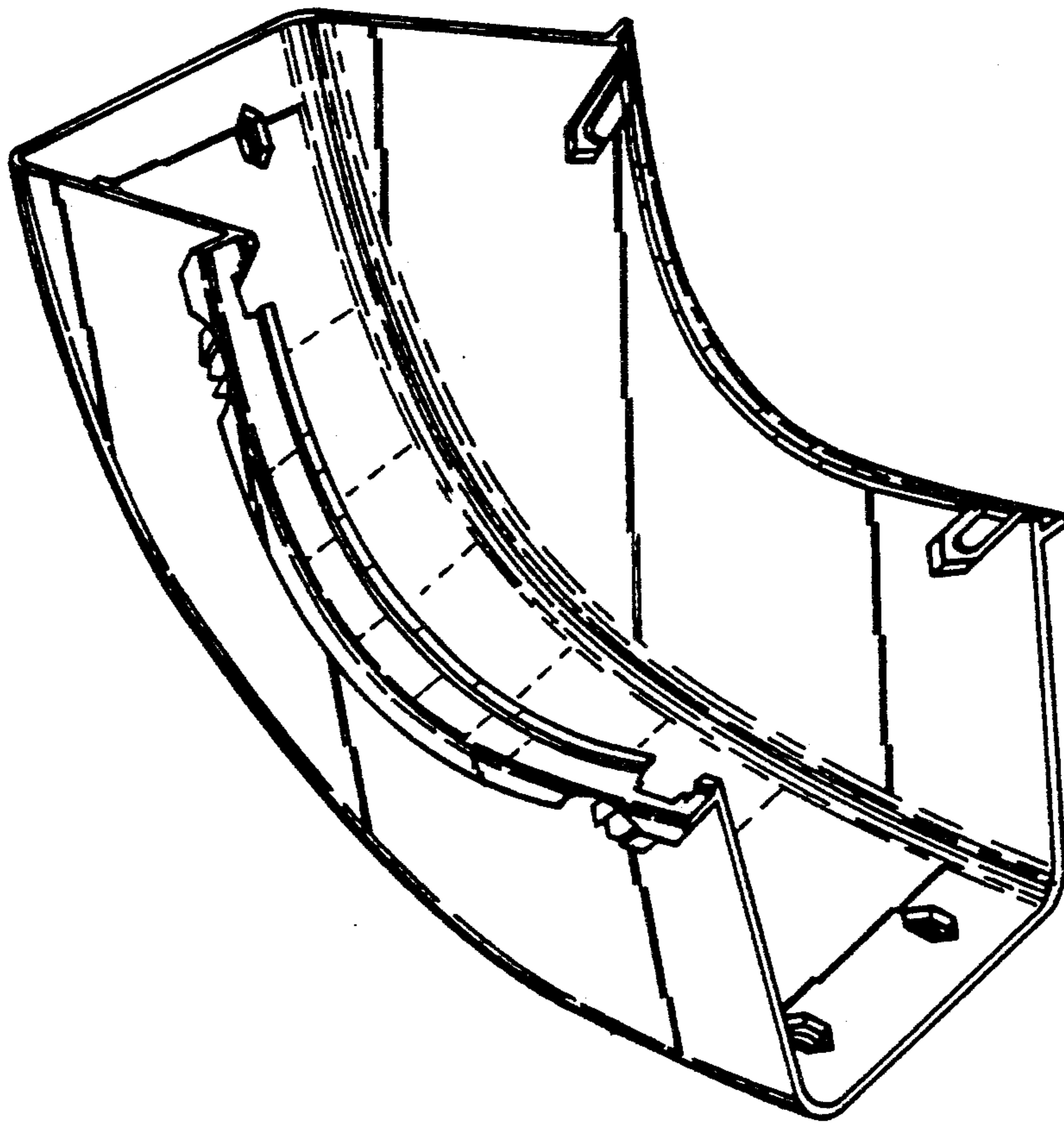


FIG. 2

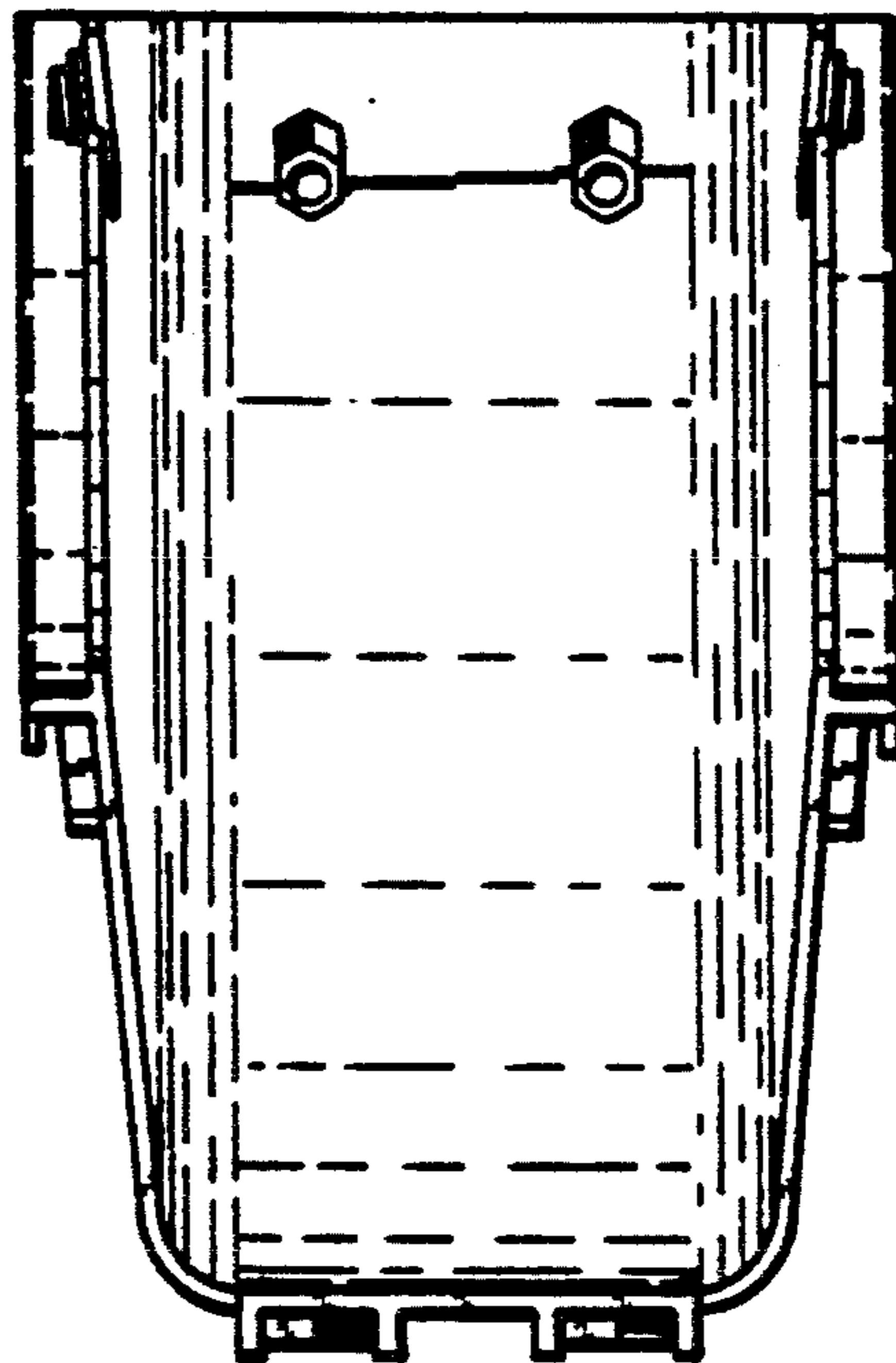


FIG.3

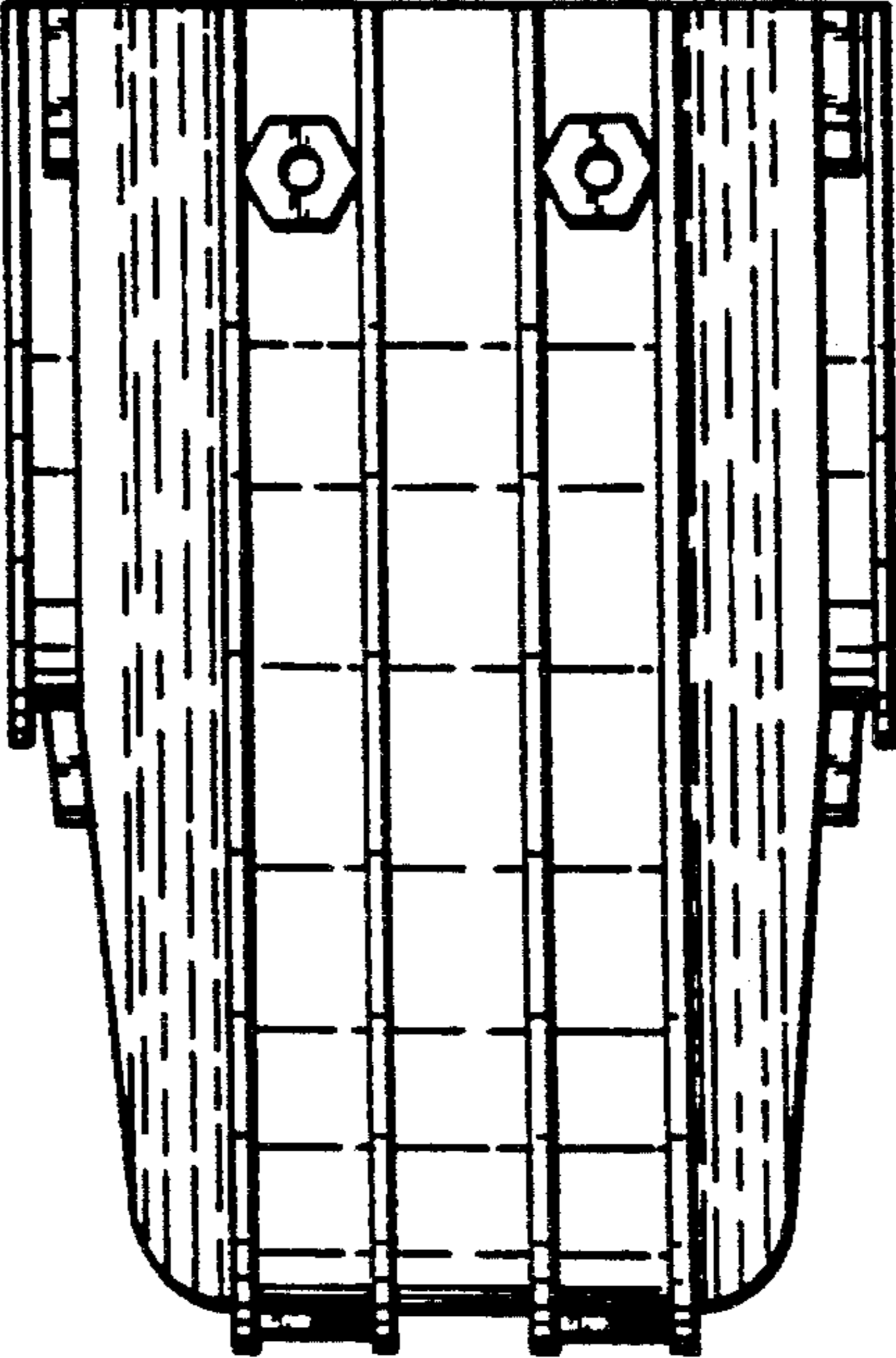


FIG.4

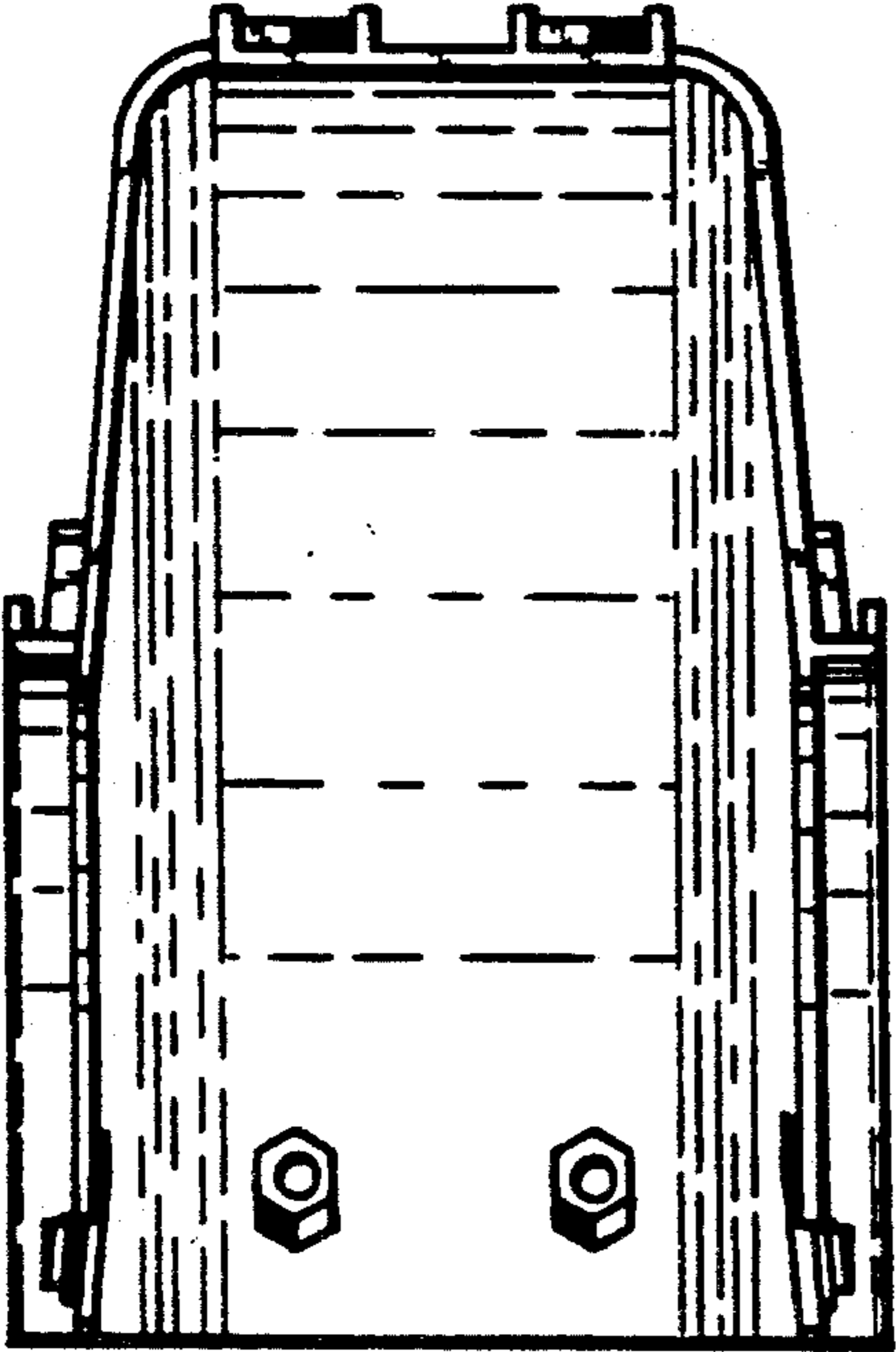


FIG.5

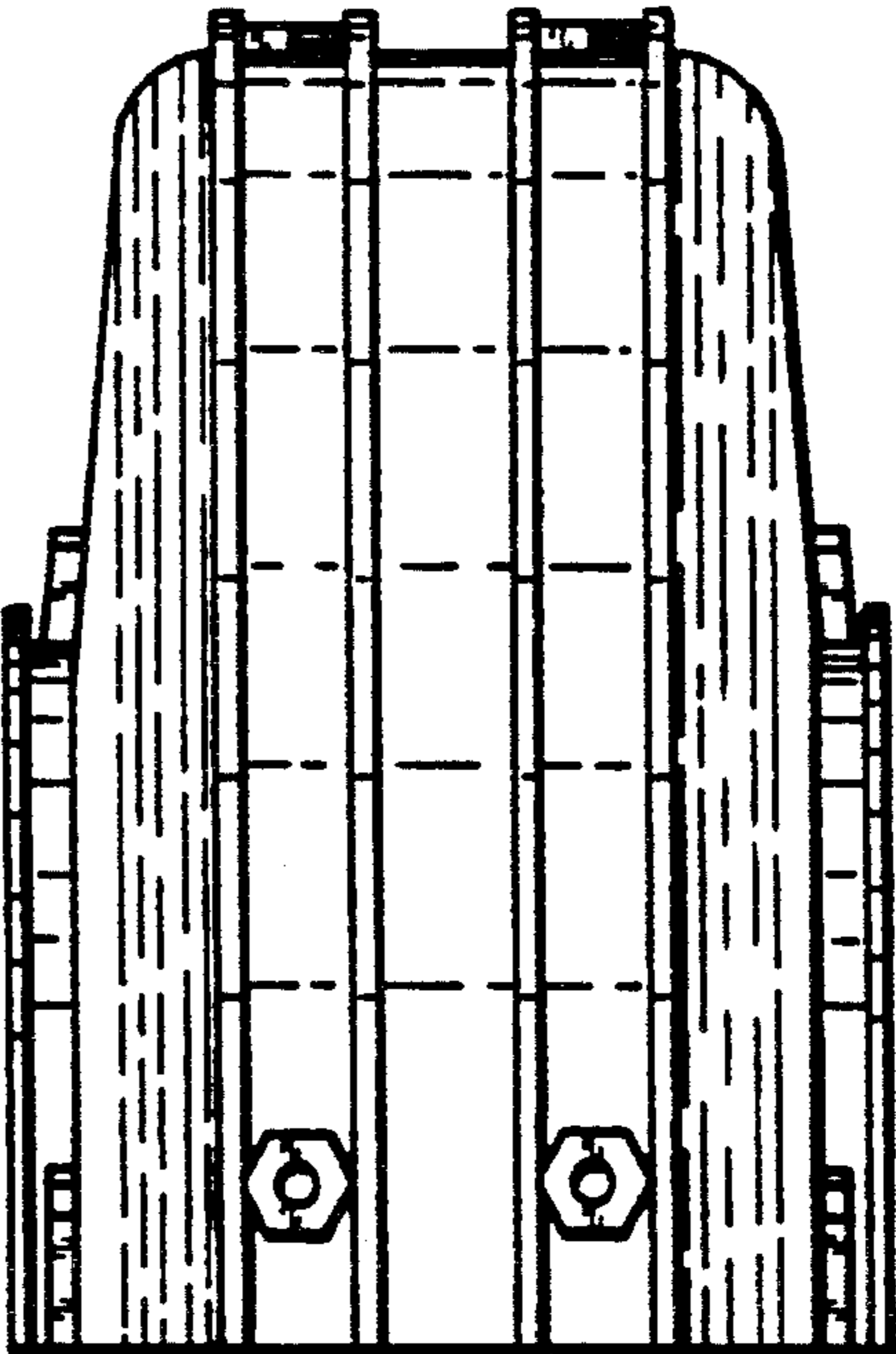


FIG.6

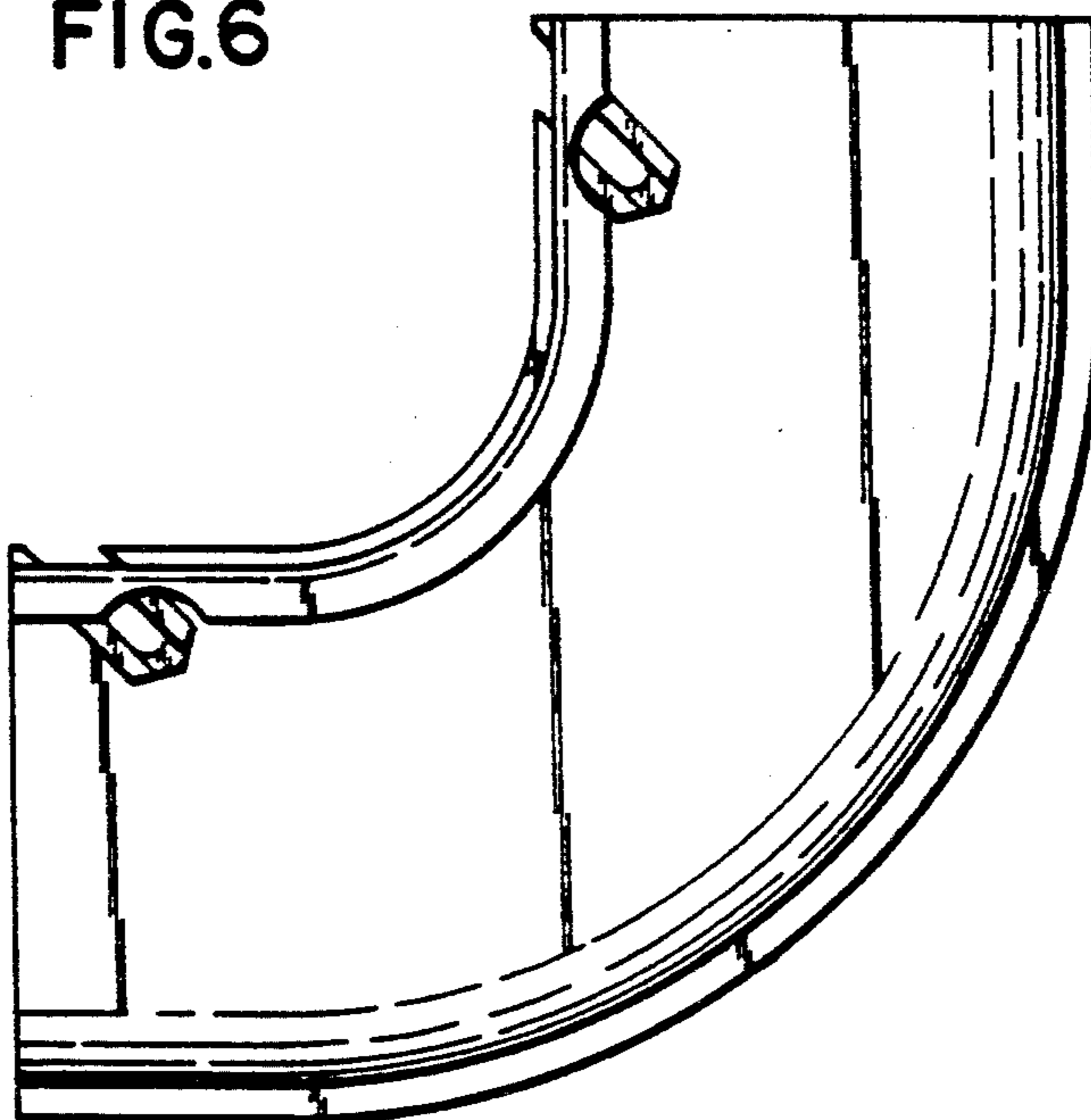


FIG.7

